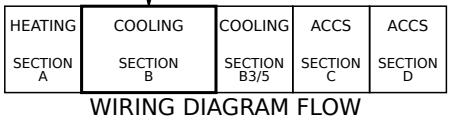


LOCATION	COMPONENT DESCRIPTION	
AA03	A55	CONTROL BOARD, MAIN
BB07	B1	COMPRESSOR 1
CC08	B3	MOTOR, BLOWER
FF06	B4	MOTOR, OUTDOOR FAN 1
HH06	B10	MOTOR, EXHAUST FAN 1
FF06	C1	CAPACITOR, OUTDOOR FAN 1
HH06	C6	CAPACITOR, EXHAUST FAN 1
CC05	F57	FUSE BLOCK, T5 TRANSFORMER PRIMARY
BB08	HR1	HEATER, COMPRESSOR 1
BB04,05,06	K1	CONTACTOR, COMPRESSOR 1
CC07,HH04	K3	CONTACTOR, BLOWER
BB04,FF05	K10	RELAY, OUTDOOR FAN 1
CC04,HH05	K65	RELAY, EXHAUST FAN 1
BB06,FF04	K191	RELAY, CRANKCASE HEATER 1
FF04	L1	VALVE, REVERSING 1
FF04	L14	VALVE, SOLENOID, REHEAT COIL 1
EE01	RT6	SENSOR, A55 DISCHARGE (IMC)
CC01	RT17	SENSOR, OUTSIDE AIR TEMP
EE02	RT46	SENSOR, SAT. SUCT TEMP., COMP 1
BB01	RT48	SENSOR, SAT. LIQUID TEMP., COMP 1
AA01	S4	LIMIT, HI PRESS. SWITCH, COMP 1
AA02	S11	SWITCH, LOW PRESS., LOW AMBIENT
AA01	S87	SWITCH, LOW PRESS., COMP 1
DD04	T1	TRANSFORMER, CONTROL
CC06	T5	TRANSFORMER, OUTDOOR FAN MOTOR
EE04	T43	TRANSFORMER, REHEAT

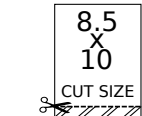
NOTES	
1	RT6 REMOTE MOUNT WIRING
2	MOVE WIRES FROM 240 TO 208 TAP ON TRANSFORMER FOR 208 VOLT APPLICATIONS
3	P-VOLT UNITS - CONNECT T43-C TO K1-L2
4	W/O HUMIDITROL, W/O PHASE DETECTION - T1 CONNECTED TO J/P395-1,2,3,4
5	PHASE DETECTION - T1 CONNECTED TO J/P395-1,2. T43 CONNECTED TO J/P395-3,4
6	HUMIDITROL - T1 CONNECTED TO J/P395-1,2. T43 CONNECTED TO J/P395-3,4 & J/P394-2,5. L14 CONNECTED TO J/P394-1,4

10 Model: LCX, LHX 024S - 060S J VOLT COOLING - DIRECT DRIVE BLOWER  
 Voltage: 575V/3-/60Hz(J)  
 Supersedes: XXXXXX-XX Form No: 538410-01 Rev: 000



← DENOTES OPTIONAL COMPONENTS AND WIRING

**WARNING**  
 DISCONNECT ALL POWER BEFORE SERVICING.  
 ELECTRIC SHOCK HAZARD, CAN CAUSE INJURY OR DEATH. UNIT MUST BE GROUNDED IN ACCORDANCE WITH NATIONAL AND LOCAL CODES.  
 FOR USE WITH COPPER CONDUCTORS ONLY. REFER TO UNIT RATING PLATE FOR MINIMUM CIRCUIT AMPACITY AND MAXIMUM OVERCURRENT PROTECTION SIZE.  
 IF ANY WIRE IN THIS APPLIANCE IS REPLACED, IT MUST BE REPLACED WITH WIRE OF LIKE SIZE, RATING AND INSULATION THICKNESS.



REV	EC NO.	DATE	BY	APVD	REVISION NOTE
---	CN-012554F	01/22/2024	RXJ	MCF	ORIGINATED AT PD&R CARROLLTON, TX



538410-01

01

02

03

04

05

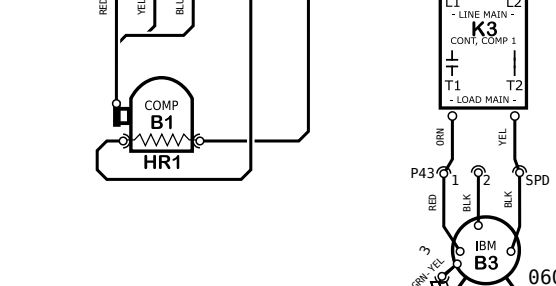
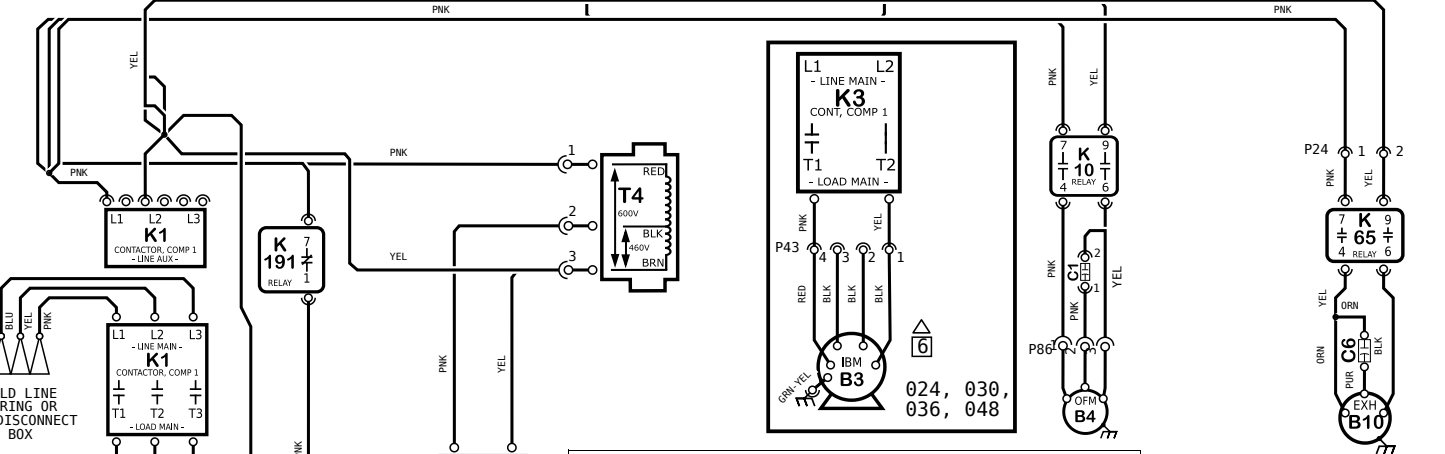
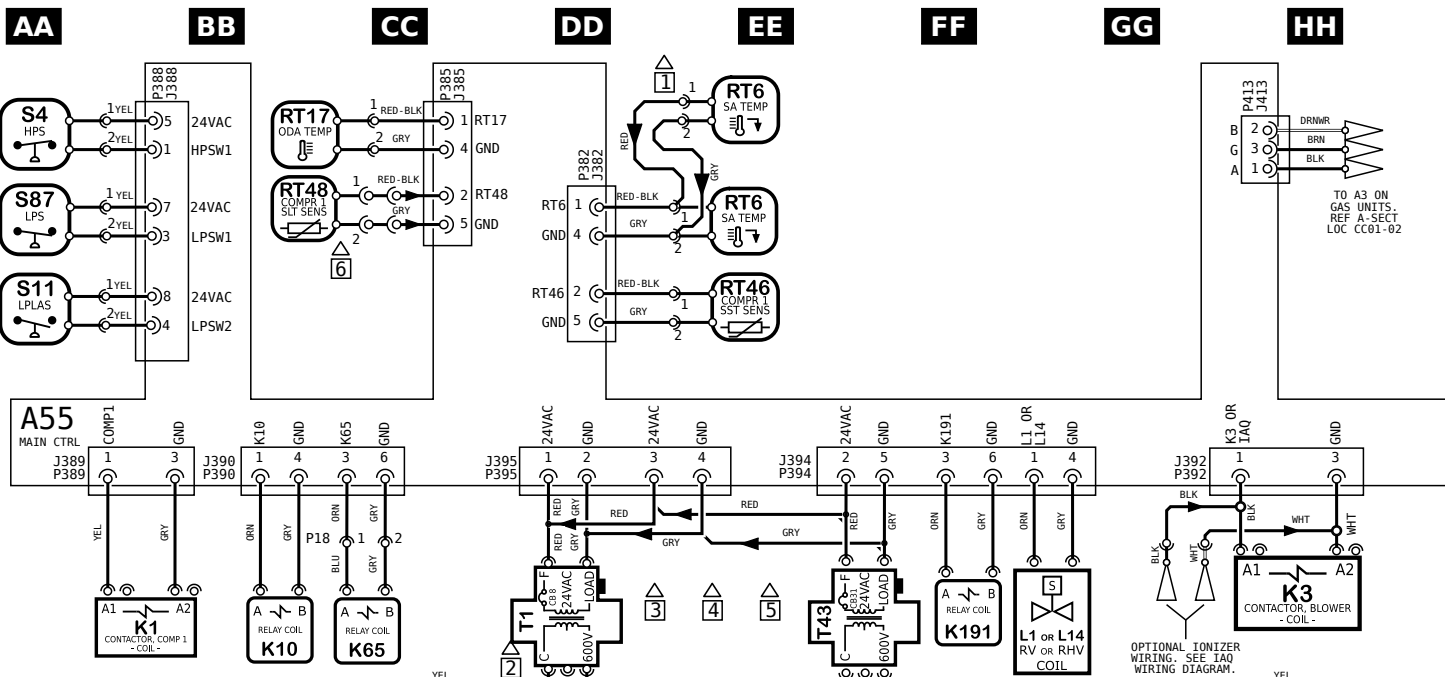
06

07

08

09

10



KEY LIST	
LOCATION	COMPONENT DESCRIPTION
AA03	A55 CONTROL BOARD, MAIN
BB07	B1 COMPRESSOR 1
CC08	B3 MOTOR, BLOWER
FF06	B4 MOTOR, OUTDOOR FAN 1
HH06	B10 MOTOR, EXHAUST FAN 1
FF06	C1 CAPACITOR, OUTDOOR FAN 1
HH06	C6 CAPACITOR, EXHAUST FAN 1
CC05	F57 FUSE BLOCK, T5 TRANSFORMER PRIMARY
BB08	HR1 HEATER, COMPRESSOR 1
BB04,05,06	K1 CONTACTOR, COMPRESSOR 1
CC07,HH04	K3 CONTACTOR, BLOWER
BB04,FF05	K10 RELAY, OUTDOOR FAN 1
CC04,HH05	K65 RELAY, EXHAUST FAN 1
BB06,FF04	K191 RELAY, CRANKCASE HEATER 1
FF04	L1 VALVE, REVERSING 1
FF04	L14 VALVE, SOLENOID, REHEAT COIL 1
EE01	RT6 SENSOR, A55 DISCHARGE (IMC)
CC01	RT17 SENSOR, OUTSIDE AIR TEMP
EE02	RT46 SENSOR, SAT. SUCT TEMP., COMP 1
BB01	RT48 SENSOR, SAT. LIQUID TEMP., COMP 1
AA01	S4 LIMIT, HI PRESS. SWITCH, COMP 1
AA02	S11 SWITCH, LOW PRESS., LOW AMBIENT
AA01	S87 SWITCH, LOW PRESS., COMP 1
DD04	T1 TRANSFORMER, CONTROL
CC06	T5 TRANSFORMER, OUTDOOR FAN MOTOR
EE04	T43 TRANSFORMER, REHEAT

NOTES	
1	RT6 REMOTE MOUNT WIRING
2	MOVE WIRES FROM 240 TO 208 TAP ON TRANSFORMER FOR 208 VOLT APPLICATIONS
3	P-VOLT UNITS - CONNECT T43-C TO K1-L2
4	W/O HUMIDITROL, W/O PHASE DETECTION - T1 CONNECTED TO J/P395-1,2,3,4
5	PHASE DETECTION - T1 CONNECTED TO J/P395-1,2. T43 CONNECTED TO J/P395-3,4
6	HUMIDITROL - T1 CONNECTED TO J/P395-1,2. T43 CONNECTED TO J/P395-3,4 & J/P394-2,5. L14 CONNECTED TO J/P394-1,4

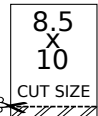
← DENOTES OPTIONAL COMPONENTS AND WIRING

**WARNING**  
DISCONNECT ALL POWER BEFORE SERVICING.  
ELECTRIC SHOCK HAZARD, CAN CAUSE INJURY OR DEATH. UNIT MUST BE GROUNDED IN ACCORDANCE WITH NATIONAL AND LOCAL CODES.  
FOR USE WITH COPPER CONDUCTORS ONLY. REFER TO UNIT RATING PLATE FOR MINIMUM CIRCUIT AMPACITY AND MAXIMUM OVERCURRENT PROTECTION SIZE.  
IF ANY WIRE IN THIS APPLIANCE IS REPLACED, IT MUST BE REPLACED WITH WIRE OF LIKE SIZE, RATING AND INSULATION THICKNESS.

Model:	LCX, LHX 024S - 060S J VOLT
	COOLING - DIRECT DRIVE BLOWER
Voltage:	575V/3-/60Hz (J)
Supersedes:	XXXXXX-XX Form No: 538410-01 Rev: 000

HEATING	COOLING	COOLING	ACCS	ACCS
SECTION A	SECTION B	SECTION B3/5	SECTION C	SECTION D

WIRING DIAGRAM FLOW



REV	EC NO.	DATE	BY	APVD	REVISION NOTE
---	CN-012554F	01/22/2024	RXJ	MCF	ORIGINATED AT PD&R CARROLLTON, TX