

538541-01
01

02

03

04

05

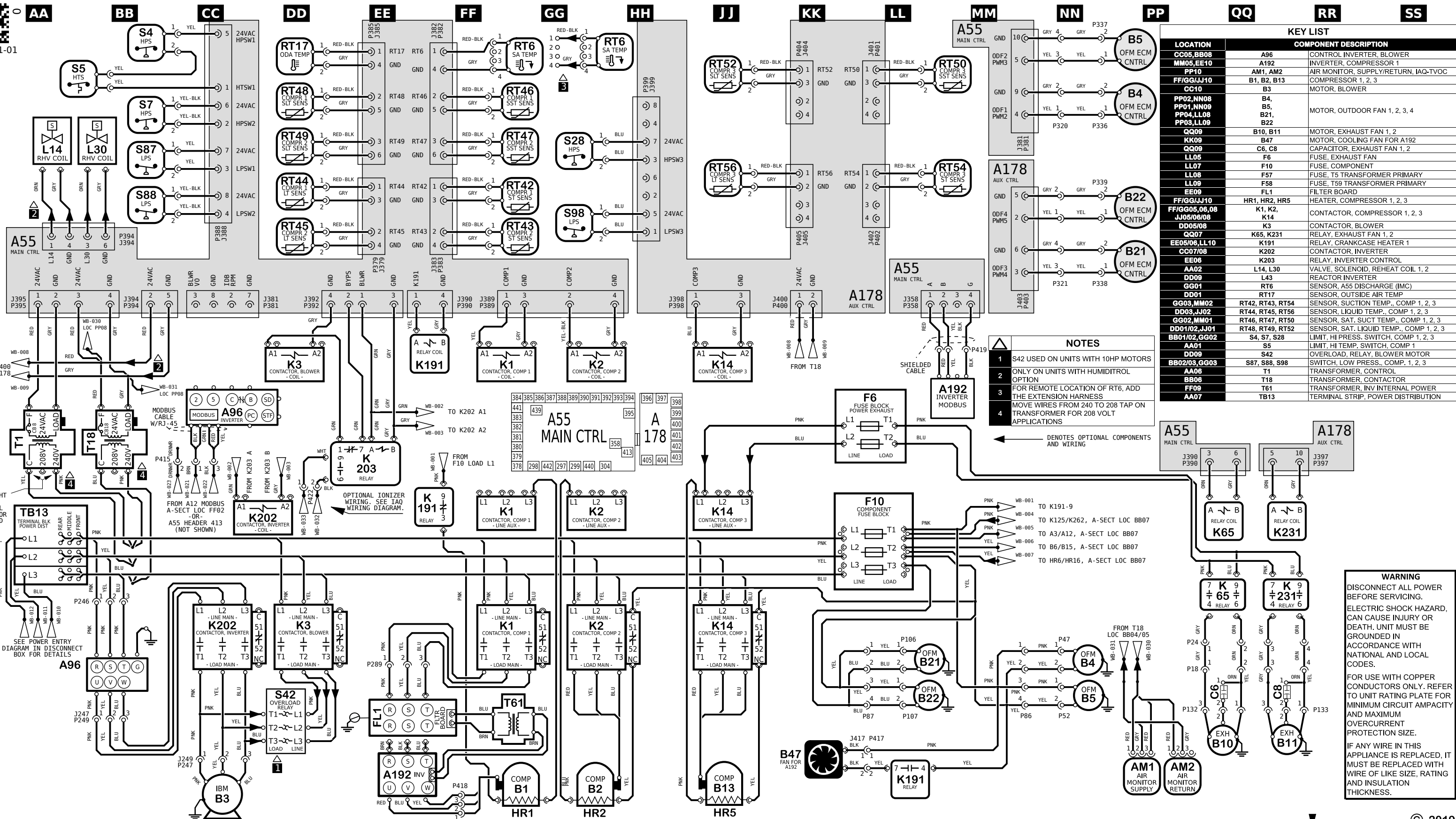
06

07

08

09

10



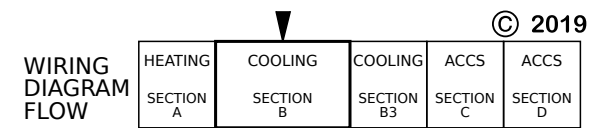
KEY LIST	
LOCATION	COMPONENT DESCRIPTION
CC05, BB08	A96 CONTROL INVERTER, BLOWER
MM05, EE10	A192 INVERTER, COMPRESSOR 1
PP10	AM1, AM2 AIR MONITOR, SUPPLY/RETURN, IAQ-TVOC
FF/GG/JJ10	B1, B2, B13 COMPRESSOR 1, 2, 3
CC10	B3 MOTOR, BLOWER
PP02, NN08	B4, B5, B21, B22 MOTOR, OUTDOOR FAN 1, 2, 3, 4
QQ09	B10, B11 MOTOR, EXHAUST FAN 1, 2
KK09	B47 MOTOR, COOLING FAN FOR A192
QQ09	C6, C8 CAPACITOR, EXHAUST FAN 1, 2
LL05	F6 FUSE, EXHAUST FAN
LL07	F10 FUSE, COMPONENT
LL08	F57 FUSE, T5 TRANSFORMER PRIMARY
LL09	F58 FUSE, T59 TRANSFORMER PRIMARY
EE09	FL1 FILTER BOARD
FF/GG/JJ10	HR1, HR2, HR5 HEATER, COMPRESSOR 1, 2, 3
FF/GG05, 06, 08	K1, K2, K14 CONTACTOR, COMPRESSOR 1, 2, 3
JJ05/06/08	K3 CONTACTOR, BLOWER
DD05/08	K65, K231 RELAY, EXHAUST FAN 1, 2
QQ07	K191 RELAY, CRANKCASE HEATER 1
EE05/08, LL10	K202 CONTACTOR, INVERTER
CC07/08	K203 RELAY, INVERTER CONTROL
EE08	L14, L30 VALVE, SOLENOID, REHEAT COIL 1, 2
AA02	L43 REACTOR INVERTER
DD09	RT6 SENSOR, A55 DISCHARGE (IMC)
GG01	RT17 SENSOR, OUTSIDE AIR TEMP
DD01	RT42, RT43, RT54 SENSOR, SUCTION TEMP., COMP 1, 2, 3
GG03, MM02	RT44, RT45, RT56 SENSOR, LIQUID TEMP., COMP 1, 2, 3
DD03, JJ02	RT46, RT47, RT50 SENSOR, SAT. SUCT TEMP., COMP 1, 2, 3
GG02, MM01	RT48, RT49, RT52 SENSOR, SAT. LIQUID TEMP., COMP 1, 2, 3
DD01/02, JJ01	S4, S7, S28 LIMIT, HI PRESS. SWITCH, COMP 1, 2, 3
BB01/02, GG02	S5 LIMIT, HI TEMP. SWITCH, COMP 1
AA01	S42 OVERLOAD, RELAY, BLOWER MOTOR
DD09	S87, S88, S98 SWITCH, LOW PRESS., COMP. 1, 2, 3
BB02/03, GG03	T1 TRANSFORMER, CONTROL
AA06	T18 TRANSFORMER, CONTACTOR
BB06	T61 TRANSFORMER, INV INTERNAL POWER
FF09	TB13 TERMINAL STRIP, POWER DISTRIBUTION
AA07	TB13

- NOTES**
- S42 USED ON UNITS WITH 10HP MOTORS
 - ONLY ON UNITS WITH HUMIDITROL OPTION
 - FOR REMOTE LOCATION OF RT6, ADD THE EXTENSION HARNESS
 - MOVE WIRES FROM 240 TO 208 TAP ON TRANSFORMER FOR 208 VOLT APPLICATIONS
- ▲ DENOTES OPTIONAL COMPONENTS AND WIRING

WARNING
DISCONNECT ALL POWER BEFORE SERVICING.
ELECTRIC SHOCK HAZARD, CAN CAUSE INJURY OR DEATH. UNIT MUST BE GROUNDED IN ACCORDANCE WITH NATIONAL AND LOCAL CODES.
FOR USE WITH COPPER CONDUCTORS ONLY. REFER TO UNIT RATING PLATE FOR MINIMUM CIRCUIT AMPACITY AND MAXIMUM OVERCURRENT PROTECTION SIZE.
IF ANY WIRE IN THIS APPLIANCE IS REPLACED, IT MUST BE REPLACED WITH WIRE OF LIKE SIZE, RATING AND INSULATION THICKNESS.

Model: LCM, LGM 156U, 180U - Y-VOLT
COOLING - MSAV WITH BYPASS - 3 COMPRESSORS, 4 CONDENSER FANS

Voltage: 208-240V/3~/60Hz (Y)
Supersedes: N/A Form No: 538541-01 Rev: 0



10x17 CUT SIZE

REV	EC NO.	DATE	BY	APVD	REVISION NOTE
---	CN-012015	06-04-2024	DEV	JAL21	ORIGINATED AT PD&R CARROLLTON, TX

538541-01
01

02

03

04

05

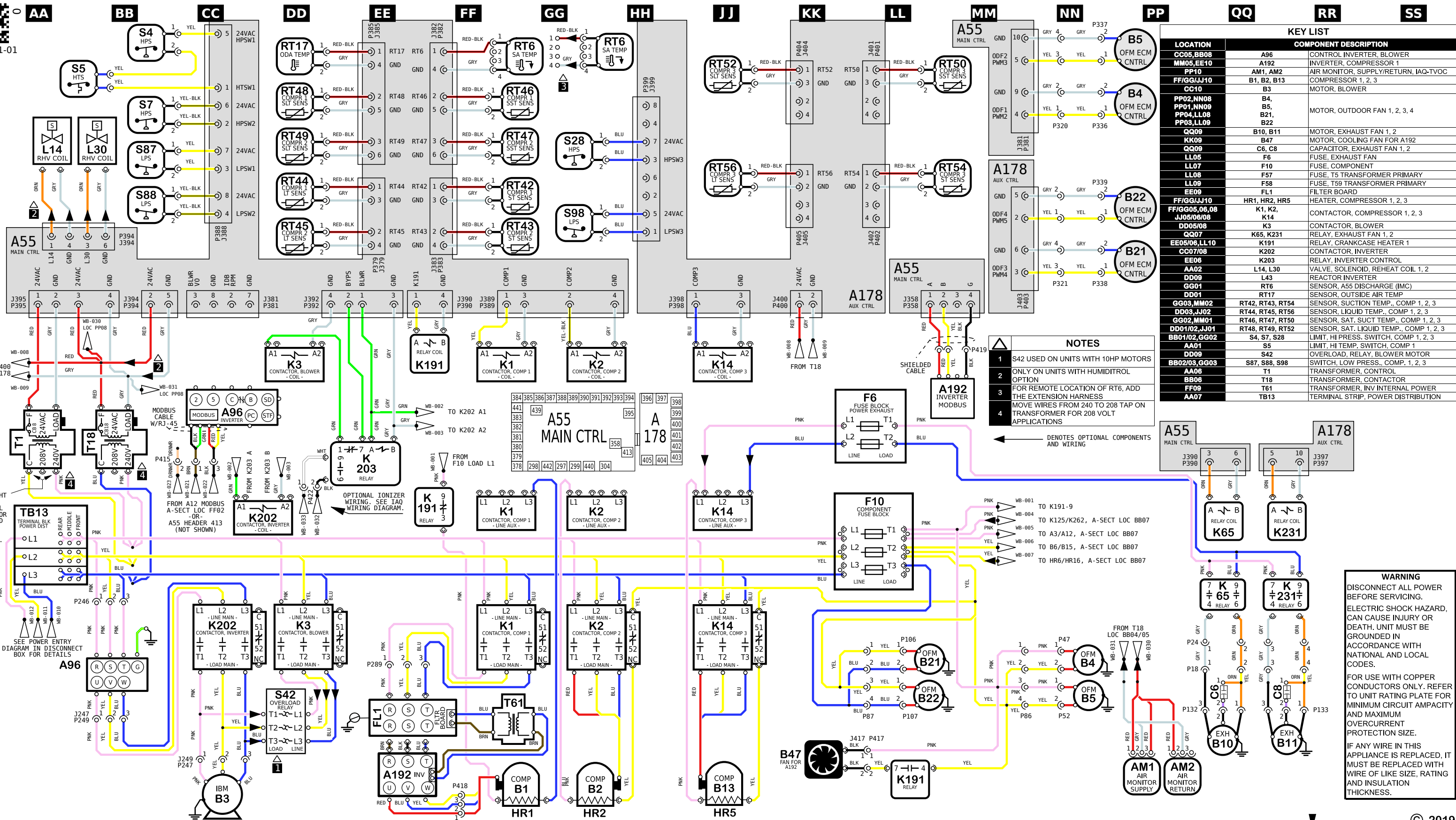
06

07

08

09

10



LOCATION	COMPONENT DESCRIPTION
CC05, BB08	A96 CONTROL INVERTER, BLOWER
MM05, EE10	A192 INVERTER, COMPRESSOR 1
PP10	AM1, AM2 AIR MONITOR, SUPPLY/RETURN, IAQ-TVOC
FF/GG/JJ10	B1, B2, B13 COMPRESSOR 1, 2, 3
CC10	B3 MOTOR, BLOWER
PP02, NN08	B4, B5, B21, B22 MOTOR, OUTDOOR FAN 1, 2, 3, 4
QQ09	B10, B11 MOTOR, EXHAUST FAN 1, 2
KK09	B47 MOTOR, COOLING FAN FOR A192
QQ09	C6, C8 CAPACITOR, EXHAUST FAN 1, 2
LL05	F6 FUSE, EXHAUST FAN
LL07	F10 FUSE, COMPONENT
LL08	F57 FUSE, T5 TRANSFORMER PRIMARY
LL09	F58 FUSE, T59 TRANSFORMER PRIMARY
EE09	FL1 FILTER BOARD
FF/GG/JJ10	HR1, HR2, HR5 HEATER, COMPRESSOR 1, 2, 3
FF/GG05, 06, 08	K1, K2, K14 CONTACTOR, COMPRESSOR 1, 2, 3
DD05/08	K3 CONTACTOR, BLOWER
QQ07	K65, K231 RELAY, EXHAUST FAN 1, 2
EE05/08, LL10	K191 RELAY, CRANKCASE HEATER 1
CC07/08	K202 CONTACTOR, INVERTER
EE08	K203 RELAY, INVERTER CONTROL
AA02	L14, L30 VALVE, SOLENOID, REHEAT COIL 1, 2
DD09	L43 REACTOR INVERTER
GG01	RT6 SENSOR, A55 DISCHARGE (IMC)
DD01	RT17 SENSOR, OUTSIDE AIR TEMP
GG03, MM02	RT42, RT43, RT54 SENSOR, SUCTION TEMP., COMP 1, 2, 3
DD03, JJ02	RT44, RT45, RT56 SENSOR, LIQUID TEMP., COMP 1, 2, 3
GG02, MM01	RT46, RT47, RT50 SENSOR, SAT. SUCT. TEMP., COMP 1, 2, 3
DD01/02, JJ01	RT48, RT49, RT52 SENSOR, SAT. LIQUID TEMP., COMP 1, 2, 3
BB01/02, GG02	S4, S7, S28 LIMIT, HI PRESS. SWITCH, COMP 1, 2, 3
AA01	S5 LIMIT, HI TEMP. SWITCH, COMP 1
DD09	S42 OVERLOAD, RELAY, BLOWER MOTOR
BB02/03, GG03	S87, S88, S98 SWITCH, LOW PRESS., COMP. 1, 2, 3
AA06	T1 TRANSFORMER, CONTROL
BB06	T18 TRANSFORMER, CONTACTOR
FF09	T61 TRANSFORMER, INV INTERNAL POWER
AA07	TB13 TERMINAL STRIP, POWER DISTRIBUTION

- NOTES**
- S42 USED ON UNITS WITH 10HP MOTORS
 - ONLY ON UNITS WITH HUMIDITROL OPTION
 - FOR REMOTE LOCATION OF RT6, ADD THE EXTENSION HARNESS
 - MOVE WIRES FROM 240 TO 208 TAP ON TRANSFORMER FOR 208 VOLT APPLICATIONS
- ▲ DENOTES OPTIONAL COMPONENTS AND WIRING

WARNING

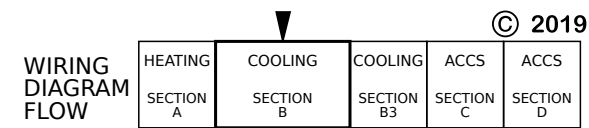
DISCONNECT ALL POWER BEFORE SERVICING. ELECTRIC SHOCK HAZARD, CAN CAUSE INJURY OR DEATH. UNIT MUST BE GROUNDED IN ACCORDANCE WITH NATIONAL AND LOCAL CODES.

FOR USE WITH COPPER CONDUCTORS ONLY. REFER TO UNIT RATING PLATE FOR MINIMUM CIRCUIT AMPACITY AND MAXIMUM OVERCURRENT PROTECTION SIZE.

IF ANY WIRE IN THIS APPLIANCE IS REPLACED, IT MUST BE REPLACED WITH WIRE OF LIKE SIZE, RATING AND INSULATION THICKNESS.

Model: LCM, LGM 156U, 180U - Y-VOLT
COOLING - MSAV WITH BYPASS - 3 COMPRESSORS, 4 CONDENSER FANS

Voltage: 208-240V/3~/60Hz (Y)
Supersedes: N/A Form No: 538541-01 Rev: 0



10x17 CUT SIZE

REV	EC NO.	DATE	BY	APVD	REVISION NOTE
---	CN-012015	06-04-2024	DEV	JAL21	ORIGINATED AT PD&R CARROLLTON, TX