

PACKAGED HEAT PUMP

LHT

ENLIGHT ROOFTOP UNITS

High Efficiency | Lennox® CORE Controller | **R-454B** | 60Hz

**COMMERCIAL
PRODUCT SPECIFICATIONS (EHB)**



3 to 6 Tons

Net Cooling Capacity | 35,500 to 66,000 Btuh

Net Heating Capacity | 34,000 to 66,000 Btuh

Optional Electric Heat - 7.5 to 22.5 kW

ENLIGHT

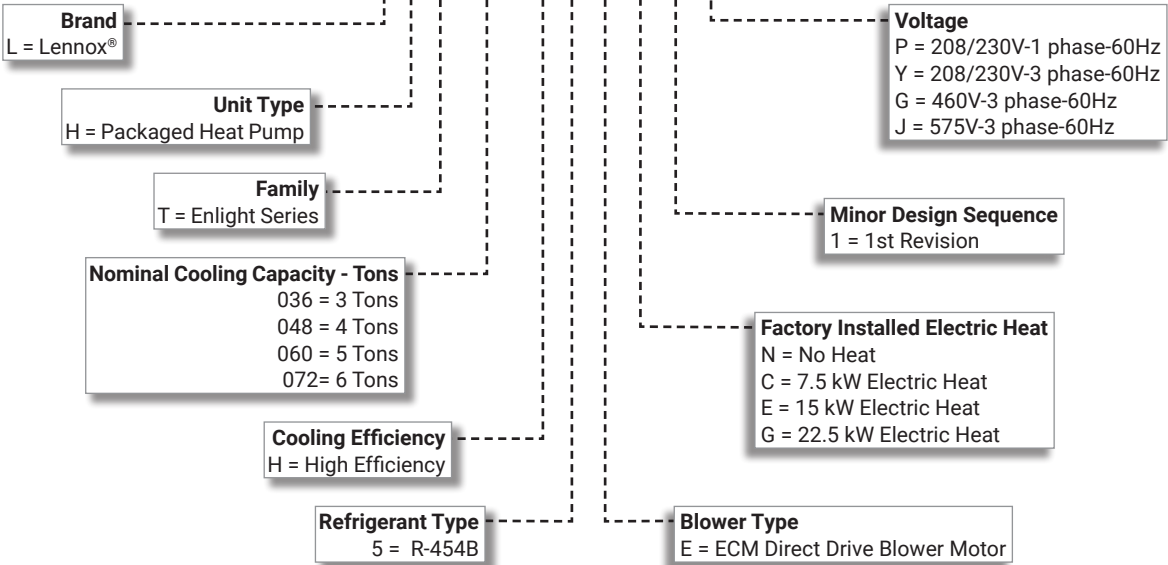


SMARTWIRE™ SYSTEM



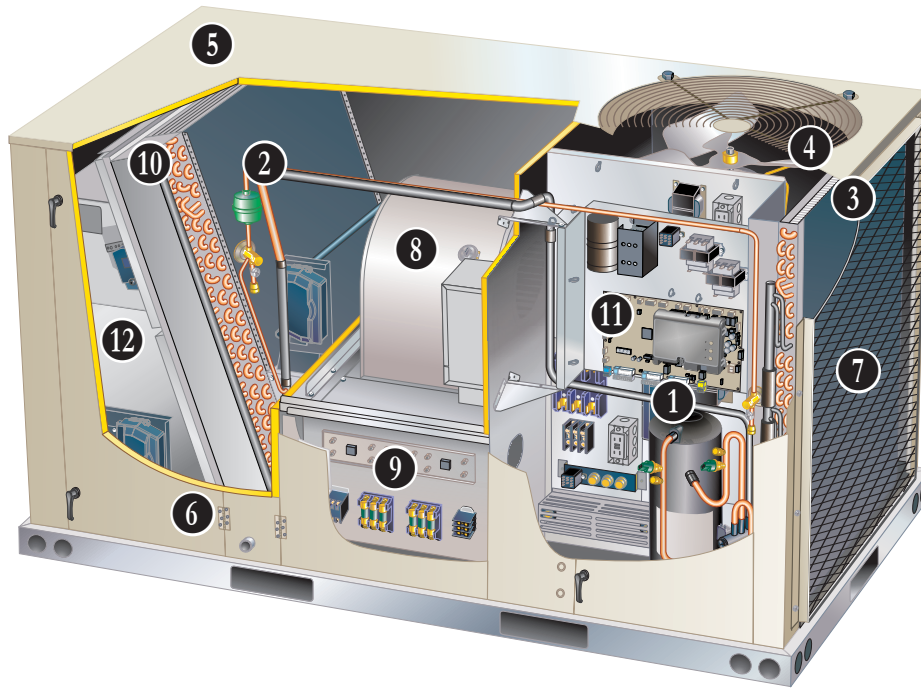
MODEL NUMBER IDENTIFICATION

L H T 060 H 5 E N 1 Y



FEATURE HIGHLIGHTS

Enlight rooftop units featuring the Lennox® CORE Control System create a bright future through a highly energy-efficient and environmentally sustainable design. Comprehensive configurations meet a wide range of applications, making it the most flexible product line Lennox has to offer.



1. Two Stage Compressor
2. Filter/Drier
3. Outdoor Coil
4. Variable Speed (ECM) Fan Motor
5. Heavy Gauge Steel Cabinet
6. Hinged Access Panels
7. Combination Coil/Hail Guards (option)
8. Supply Air Direct Drive (ECM) Blower
9. Electric Heat (option)
10. Air Filters
11. Lennox® CORE Control System
12. Economizer (option)

CONTENTS

Approvals And Warranty	3
Blower Data	24
- 0.5 Hp 3 Row (036).	24
- 1.0 Hp 3 Row (048).	25
- 1.0 Hp 4 Row (060).	26
- 1.5 Hp 3 Row (036, 048).	27
- 1.5 Hp 4 Row (060 072)	29
Control System	8
Cooling / Heating Ratings	20
Dimensions	38
- Accessories	39
- Unit	38
Electric Heat Capacities	36
Features And Benefits	3
Model Number Identification.	1
Optional Conventional Temperature Control Systems	12
Options / Accessories	16
Outdoor Sound Data	37
Sequence Of Operation.	14
Specifications	19
Unit Clearances	36
Weight Data	37
- Unit	37

APPROVALS AND WARRANTY

APPROVALS

- AHRI Certified to AHRI Standard 210/240-2023 (3 thru 5 ton models) and AHRI Standard 340/360-2023 (6 ton models)
- ETL and CSA listed
- Components bonded for grounding to meet safety standards for servicing required by UL, ULC and National and Canadian Electrical Codes
- All models are ASHRAE 90.1 compliant
- All models meet DOE 2023 energy efficiency standards and UL 60335-2-40 Refrigerant Detector Requirements
- All models have HCAI (formerly OSHPD) OSP and Special Seismic Certification ([Number: OSP-0596](#)), and meet 2021 International Building Code (IBC), 2022 California Building Code (CBC) ASCE 7, and ICC-ES AC156
- 3, 4, and 5 ton models are ENERGY STAR® certified to use less energy, help save money on utility bills, and help protect the environment
- ISO 9001 Registered Manufacturing Quality System

WARRANTY

- Compressors - Limited five years
- Lennox® CORE Unit Controller - Limited three years
- Optional High Performance Economizers - Limited five years
- All other covered components - Limited one year

FEATURES AND BENEFITS

COOLING / HEATING SYSTEM

- Designed to maximize sensible and latent cooling performance at design conditions
- Mechanical cooling operates from 0°F to 125°F
- Mechanical heating operates at ambient temperatures above -15°F

NOTE - When a call for heating is initiated at ambient temperatures above -4°F, unit will attempt to satisfy demand with mechanical heating down to -15°F ambient.

If a call for heating is initiated at or below -4°F, the unit will lockout mechanical heating (compressors) and use optional electrical heat to satisfy demand.

R-454B Refrigerant

- Low GWP (Global Warming Potential)
- Zero ODP (Ozone Depletion Potential)
- Low Toxicity/Lower Flammability - A2L
- Unit is factory pre-charged

1 Two-Stage Compressor

- Two-stage scroll compressors on all models for high performance, reliability, quiet operation and increased part-load efficiency
- Resiliently mounted on rubber grommets for quiet operation

Compressor Crankcase Heater

- Protects against refrigerant migration that can occur during low ambient operation or during extended off cycles

Thermal Check/Expansion Valve

- Ensures optimal performance throughout the application range
- Removable element head

Reversing Valve

- 4-way interchange reversing valve rapidly changes the direction of refrigerant flow resulting in quick changeover from cooling to heating and vice versa

2 Filter/Drier

- High capacity filter/drier protects the system from dirt and moisture

High Pressure Switch

- Protects the compressor from overload conditions such as dirty condenser coils, blocked refrigerant flow, or loss of outdoor fan operation

Low Pressure Switch

- Protects the compressor from low pressure conditions such as low refrigerant charge, or low/no airflow

Indoor Coil Freeze Protection

- Protects the evaporator coil from damaging ice build-up due to conditions such as low/no airflow, or low refrigerant charge

3 Outdoor Coil

- Copper tube construction
- Enhanced rippled-edge aluminum fins
- Flared shoulder tubing connections
- Silver soldered construction
- Factory leak tested

Indoor Coil

- Copper tube construction
- Enhanced rippled-edge aluminum fins
- Flared shoulder tubing connections
- Silver soldered construction for improved heat transfer
- Factory leak tested
- Cross-row circuiting with rifled tubing optimizes both sensible and latent cooling capacity

FEATURES AND BENEFITS

COOLING / HEATING SYSTEM (continued)

Antimicrobial Condensate Drain Pan

- Composite pan, sloped to meet drainage requirements of ASHRAE 62.1
- Antimicrobial additive resists growth of mold and mildew on drain pan, which improves indoor air quality and reduces drain line blockage
- Side or bottom drain connections
- Reversible to allow connection at back of unit

4 Variable Speed Outdoor Coil Fan Motor

- Variable speed (ECM) fan motor for energy efficient MSAV® Multi-Stage Air Volume performance and quiet operation
- Thermal overload protected
- Totally enclosed
- Permanently lubricated ball bearings
- Shaft up
- Wire basket mount

Outdoor Coil Fan

- PVC coated fan guard furnished

Required Selections

Cooling Capacity

- Specify nominal cooling capacity

Options/Accessories

Factory or Field Installed

Drain Pan Overflow Switch

- Monitors condensate level in drain pan
- Shuts down unit if drain becomes clogged

Field Installed

Condensate Drain Trap

- Constructed of PVC or copper

LOW GWP REFRIGERANT DETECTION SYSTEM (RDS)

- Complies with UL 60335-2-40 approved standard
- Required for all systems using R-454B refrigerant
- Factory installed on all units
- Consists of a refrigerant detection sensor(s) and a mitigation control
- Ensures safe operation for systems equipped with R-454B refrigerant
- Sensor(s) monitors indoor coil area for R-454B refrigerant
- If R-454B refrigerant is detected the refrigerant detection system will prevent compressor and heating operation until R-454B refrigerant is no longer detected
- Refrigeration detection system energizes blower if any R-454B refrigerant is detected to mitigate any concentrations of refrigerant from the unit and the system

CABINET

5 Construction

- Heavy-gauge steel panels
- Full perimeter heavy-gauge galvanized steel base rail
- Base rails have rigging holes
- Three sides of the base rail have forklift slots
- Raised edges around duct and power entry openings in the bottom of the unit for water protection

Airflow Choice

- Units are shipped in downflow (vertical) return air flow configuration

NOTE - Can be field converted to horizontal airflow configuration without any optional kits.

Duct Flanges

- Provided for horizontal duct attachment

Power Entry

- Electrical lines can be routed through the unit base or through horizontal access knock-outs

Exterior Panels

- Constructed of heavy-gauge, galvanized steel
- Textured pre-paint with polyurethane finish
- Cyclic salt fog and UV exposure up to 1,680 hours per ASTM D5894

Insulation

- Fully insulated with non-hygroscopic fiberglass insulation (conditioned areas)
- Unit base is fully insulated
- Base insulation serves as an air seal to the roof curb, eliminating the need to add a seal during installation

6 Hinged Access Panels

- Tool-less access
- Economizer/ Filter sections
- Compressor/controls sections
- Panel seals and quarter-turn latching handles provide a tight air and water seal

NOTE - Optional Economizers, Power Exhaust, Outdoor Air Dampers and Barometric Relief Dampers include a filler panel for proper cabinet fit.

FEATURES AND BENEFITS

CABINET (Continued)

Required Selections

Airflow Configuration

- Specify horizontal or downflow

Options/Accessories

Factory Installed

Corrosion Protection

- Completely flexible immersed coating
- Electrodeposited dry film process (AST ElectroFin E-Coat)
- ASTM B117 / DIN 53167 Salt Spray - 15,000+ hours
- ASTM G85 Annex A3 SWAAT Modified Salt Spray - 3,000 hours
- VA Master Construction Specification Division 23 for High Humidity Installations
- CID AA-52474A (GSA)
- Indoor Corrosion Protection:
 - Coated coil
 - Coated reheat coil
 - Painted blower housing
 - Painted base
- Outdoor Corrosion Protection:
 - Coated coil
 - Painted outdoor base

Factory or Field Installed

7 Combination Coil/Hail Guards

- Heavy gauge steel frame
- Painted to match cabinet
- Expanded metal mesh protects outdoor coil

8 BLOWER

A wide selection of supply air blower options are available to meet a variety of airflow requirements.

Variable-Speed ECM Direct Drive Motor

- 036, 048 and 060 models

DirectPlus™ Direct Drive ECM Blower System

- Optional on 036, 048 and 060 3 phase models, standard on 072 model
- High-efficiency, variable-speed ECM (electronically commutated) motor
- Eliminates the need for a separate variable-frequency drive
- Advanced Blower Diagnostics: Lennox® CORE Unit Controller communicates via Modbus with DirectPlus™ blower to provide control commands, blower proving functionality, and detailed alarm codes
- MSAV® Multi-Stage Air Volume control modulates the amount of supply blower airflow according to cooling demand, heating demand, ventilation demand or smoke alarm
- The amount of airflow for each stage can be set according to a parameter in the Lennox® CORE Unit Controller
- Unit is shipped from the factory with preset airflows
- Fully variable speed motor modulates to maximize system efficiency
- Combines the motor and electronics into one unit
- Aerodynamically optimized impeller with curved blades mounted directly onto the rotor
- Air inlet grill reduces indoor sound levels without affecting air performance



Required Selections

Blower Motor

- Specify Standard Static or High Static (3-5 ton models only)

FEATURES AND BENEFITS

ELECTRICAL

SmartWire™ System

- Advanced wiring connectors are keyed and color-coded to prevent miswiring
- Wire coloring scheme is standardized across all models
- Each connection is intuitively labeled to make troubleshooting and servicing quick and easy

Electrical Plugs

- Positive connection electrical plugs are used to connect common accessories or maintenance parts for easy removal or installation

Required Selections

Voltage Choice

- Specify when ordering base unit

Options/Accessories

Factory Installed

Circuit Breakers

- HACR type
- For overload and short circuit protection
- Factory wired and mounted in the power entry panel
- Current sensitive and temperature activated
- Manual reset

Phase/Voltage Detection

(3 Phase models only)

- Monitors power supply to ensure phase is correct at unit start-up
 - If phase is incorrect, the unit will not start and an alarm code is reported to the unit controller
- Protects unit from being started with incorrect phasing which could lead to issues such as compressors running backwards
- Voltage detection monitors power supply voltage to ensure proper voltage
 - If voltage is not correct (over/under voltage conditions) the unit will not start and an alarm code is reported to the unit controller

Short-Circuit Current Rating (SCCR)

- Higher short circuit protection up to 100kA

NOTE - Disconnect Switch not available with higher SCCR option. SCCR option only available with factory installed electric heat..

Factory or Field Installed

Disconnect Switch

- Accessible from outside of unit
- Spring loaded weatherproof cover furnished

9 Electric Heat

- Helix wound nichrome elements
- Individual element limit controls
- Wiring harness
- Unit fuse block
- See Options / Accessories tables for ordering information

GFI Service Outlets (2)

- 115V ground fault circuit interrupter (GFCI) type options:
 - Factory installed, powered and wired
 - Factory installed, non-powered, field wired
 - Field installed, non-powered, field wired

ELECTRICAL(Continued)

Field Installed

GFI Weatherproof Cover

- Single-gang cover
- Heavy-duty UV-resistant polycarbonate case construction
- Hinged base cover with gasket

FEATURES AND BENEFITS

INDOOR AIR QUALITY

10 Air Filters

- Disposable 2 inch MERV 4 filters furnished as standard

Options/Accessories

Factory or Field Installed

Healthy Climate® High Efficiency Air Filters

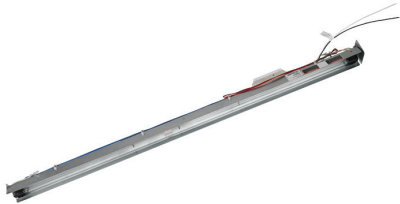
- Disposable MERV 8 and MERV 13 (Minimum Efficiency Reporting Value based on ASHRAE 52.2) efficiency 2 inch pleated filters

Field Installed

Healthy Climate® High Efficiency MERV 16 Air Filters

- Disposable MERV 16 (Minimum Efficiency Reporting Value based on ASHRAE 52.2) efficiency 2 inch pleated filters

Healthy Climate® UVC Germicidal Lamps



- Germicidal lamps emit ultra-violet (UV-C) energy, which has been proven to be effective in reducing microbes such as viruses, bacteria, yeasts, and molds
- UV-C energy greatly reduces the growth and proliferation of mold and other bioaerosols (bacteria and viruses) on illuminated surfaces (particularly coil and drain pan)
- Destroys the organism or controls its ability to reproduce
- Field installed in the blower/evaporator coil section
- Magnetic safety interlock terminates power when access panels are removed
- All necessary hardware for installation is included
- Lamps operate on 110/230V-1ph power supply

NOTE - Step-down transformer may be ordered separately for 460V and 575V units.

- Approved by ETL

Needlepoint Bipolar Ionization (NPBI) Kit

- NPBI technology integrates with system controls for effective air treatment
- Ionization has been shown to effectively reduce harmful pathogens, pollutants and odors
- Brush-type ionizer introduces a high concentration of both positive and negative ions into the airstream
- These bipolar ions are then dispersed into the occupied space through the duct system proactively reducing the airborne contaminants
- Ions travel within the building air stream and attach to particles, pathogens, and gas molecules, making them larger and easier to capture in the filtration system
- UL 2998 certified for zero ozone emission

Indoor Air Quality (CO₂) Sensors

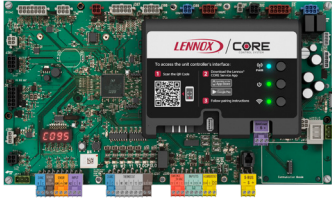
- Monitors CO₂ levels
- Reports to the Lennox® CORE Unit Controller, which adjusts economizer dampers as needed

Replacement Filter Media Kit With Frame

- Replaces existing pleated filter media
- Includes washable metal mesh screen and metal frame with clip for holding replaceable non-pleated filter

CONTROL SYSTEM

LENNOX® CORE CONTROL SYSTEM



- 11 The Lennox® CORE Control System is designed to accelerate equipment install and service. Standard with all Enlight rooftop units, control system integrates key technologies that lower installation costs, drive system efficiency, and protect your investments.

The Lennox® CORE Unit Controller is a microprocessor-based controller that provides flexible control of all unit functions.

CORE Mobile Service App

- Guided Setup with progress indicators, detailed help, and exportable summaries to manage simple, trouble-free setup, reducing commissioning times
- Enhanced Test Functionality provides real-time sensor readings, trending, and reports that enable easy troubleshooting
- Ability to set and configure parameters of the CORE Control System to manage sequence of operation
- Economizer test function ensures economizer is operating correctly



Additional Features:

- Built-In 7-Segment Display shows Unit Status and active alarms for easy troubleshooting
- Buttons for test and clearing delays
- SmartWire™ System with keyed and removable screw terminals ensure correct field wiring
- Built-in BACnet MS/TP and IP allow open integration to building management systems.
- Two-port Ethernet Switch enables daisy chaining for BACnet IP and automatic firmware updates

NOTE - Unit Internet Connection required.

- Profile setup copies key settings between units with the same configuration to reduce setup time
- USB port allows a technician to download and transfer unit information to help verify service was performed
- USB software updates on the Lennox® CORE Unit Controller enhance functionality without the need to change components
- Unit Controller Software

Configurable Built-In Functions

- Discharge Air Cooling Control
- Up to three distinct Cooling Airflows in Thermostat Mode
- Programmable independent heating, ventilation and cooling blower speeds

- Discharge Air Heating Control
- Economizer Control Options (See Economizer / Exhaust Air / Outdoor Air sections)
- Exhaust Fan Control Modes for fresh air damper position
- Configurable Morning Warm-up
- Night Setback Mode
- Fresh Air Tempering for Improved Ventilation
- Demand Control Ventilation
- Low Ambient Controls for operation down to 0°F
- Two Defrost Control Methods (demand and timed - heat pumps only)

Component Protection / Unit Safeguards:

- Compressor Time-Off Delay
- Adjustable Blower On/Off Delay
- Return Air Temperature Limit Control
- Safety Switch Input allows Controller to respond to a external safety switch trip
- Service Relay Output
- Thermostat Bounce Delay
- Smoke Alarm Mode has four choices (unit off, positive pressure, negative pressure, purge)
- "Strike Three" Protection
- Gas Valve Time Delay Between First and Second Stage
- Minimum Compressor Run Time

Control Methods / Interfaces:

- DDC and 24V Thermostat
- BACnet MS/TP and IP
- LONTalk (Factory and Field Option)
- Lennox S-BUS
- Zone Temperature Sensor Input
- Dehumidistat and Humidity Sensor Inputs
- Indoor Air Quality Inputs (2)
- Built-in Control Parameter Defaults
- Permanent Diagnostic Code Storage
- Field Adjustable Control Parameters (Over 200 settings)
- Multiple Configurable Digital Inputs
- LED Indicators
- PC Interface connects the Lennox® CORE Unit Controller to a PC with the Lennox Unit Controller Software

NOTE - Lennox® CORE Control System features vary with the type of rooftop unit in which the control is installed.

CONTROL SYSTEM

LENNOX® CORE CONTROL SYSTEM (continued)

Controls Options

Factory or Field Installed

Blower Proving Switch

- Monitors blower operation, shuts down unit if blower fails

Dirty Filter Switch

- Senses static pressure increase and issues alarm if necessary

Fresh Air Tempering

- Used in applications with high outside air requirements
- Controller energizes the first stage heat as needed to maintain a minimum supply air temperature for comfort, regardless of the thermostat demand
- When ordered as a factory option, sensor ships with the unit for field installation

Smoke Detector

- Photoelectric type
- Installed in supply air section, return air section or both sections
- Available with power board and single sensor (supply or return) or power board and two sensors (supply and return)
- Power board located in unit control compartment

Commercial Control Systems

Interoperability via BACnet® or LonTalk® Protocols

- Communication compatible with third-party automation systems that support the BACnet Application Specific Controller device profile, LonMark® Space Comfort Controller functional profile, or LonMark Discharge Air Controller functional profile

Field Installed

Thermostats and Room Sensors

- Control system and thermostat options, see Page 12

OPTIONS / ACCESSORIES

ECONOMIZER

- 12 • Economizer operation is set and controlled by the Lennox® CORE Unit Controller
 - Simple plug-in connections from economizer to unit controller for easy installation
 - All Enlight rooftop units are equipped with factory installed CEC Title 24 approved sensors for outside, return and discharge air temperature monitoring
- NOTE** - Optional sensors may be used instead of unit sensors to determine whether outdoor air is suitable for free cooling. See Options/Accessories table.

Factory or Field Installed

High Performance Economizer

- Approved for California Title 24 building standards
- Low leakage dampers are Air Movement and Control Association International (AMCA) Class 1A Certified - Maximum 3 CFM per sq. ft. leakage at 1 in. w.g.
- ASHRAE 90.1 compliant
- Combination Outdoor Air Hood is furnished
- Factory installed Economizer can be ordered with three exhaust options:
 - Barometric Relief Dampers
 - Power Exhaust Fan

NOTE - See Power Exhaust Fan section for additional requirements.

- No Exhaust
- Field installed Economizer includes Barometric Relief Dampers with Combination Hood
- Barometric Relief Dampers allow relief of excess air
- Dampers prevent blow back and outdoor air infiltration during off cycle
- Bird screen furnished

NOTE - Barometric Relief Dampers are required when Economizer is factory installed with factory installed Power Exhaust Fan option. See Power Exhaust Fan section and Options/Accessories table.

- Demand Control Ventilation (DCV) ready using optional CO₂ sensors.
- Horizontal Barometric Dampers are required for horizontal Economizer applications and must be ordered separately.
- Linked damper action
- High torque 24-volt fully-modulating spring return damper motor
- Return air and outdoor air dampers
- Plug-in connections to unit

OPTIONS / ACCESSORIES

ECONOMIZER (continued)

Factory or Field Installed (continued)

NOTE - High Performance Economizers are not approved for use with enthalpy controls in Title 24 applications.

NOTE - The Free Cooling setpoint for Title 24 applications must be set based on the Climate Zone where the system is installed. See Section 140.4 "Prescriptive Requirements for Space Conditioning Systems" of the California Energy Commission's 2022 Building Energy Efficiency Standards.

NOTE - Refer to Installation Instructions for complete setup information.

Differential Sensible Control

- Factory setting
- Uses outdoor air and return air sensors that are furnished with the unit
- The Lennox® CORE Unit Controller compares outdoor air and return air setpoints and activates the economizer when the outdoor air temperature is below the configured setpoint and cooler than return air

NOTE - Differential Sensible Control can be configured in the field to provide Offset Differential Sensible Control or Single Sensible Control.

In Offset Differential Sensible Control mode, the economizer is enabled if the temperature differential (offset) between outdoor air and return air reaches the configured setpoint

In Single Sensible Control mode, the economizer is enabled when outdoor air temperature falls below the configured setpoint

Global Control

- The unit controller communicates with a DDC system with one global sensor (enthalpy or sensible) to determine whether outside air is suitable for free cooling on all units connected to the control system. Sensor must be field provided.

NOTE - Global control with enthalpy is not approved for Title 24 applications.

Single Enthalpy Temperature Control (Not for Title 24)

- Outdoor air enthalpy sensor enables Economizer if the outdoor enthalpy is less than the setpoint of the control.

Differential Enthalpy Control (Not for Title 24)

- Order two Single Enthalpy Controls.
 - One is field installed in the return air section
 - One in the outdoor air section
- Allows the economizer control to select between outdoor air or return air, whichever has lower enthalpy

Field Installed

Outdoor Air CFM Control

- Maintains constant outdoor air volume levels on the supply air fan and varying unit airflows
- References a velocity sensor located in the rooftop unit outdoor air section
- Lennox® CORE Unit Controller changes the economizer position to help minimize the effect of supply fan speed changes on outdoor air volume levels
- Setpoint for outdoor air volume is established by field testing

NOTE - Not available with Demand Control Ventilation (CO₂ Sensor) or Building Pressure Control.

Building Pressure Control

- Maintains constant building pressure level
- Using differential pressure information between the outdoor air and the building air, the Lennox® CORE Unit Controller changes the economizer position to help maintain a constant building pressure

NOTE - Not available with Demand Control Ventilation (CO₂ Sensor).

Horizontal Barometric Relief Dampers

- For use when unit is configured for horizontal applications with an economizer
- Allows relief of excess air
- Blade type dampers prevent blow back and outdoor air infiltration during off cycle
- Field installed in return air duct
- Outdoor air hood with filter bracket included
- Exhaust hood with bird screen furnished
- Requires Horizontal Economizer Conversion Kit

Horizontal Economizer Conversion Kit

- Insulated panel covers the bottom return air opening on the unit base to convert downflow economizer to horizontal air flow

OPTIONS / ACCESSORIES

EXHAUST

Factory or Field Installed

Power Exhaust Fan

- Installs internal to unit for downflow applications only with economizer option
- Provides exhaust air pressure relief
- Interlocked to run when supply air blower is operating
- Fan runs when outdoor air dampers are 50% open (adjustable)
- Motor is overload protected
- Fan is 16 in. diameter
- Four blades
- One 1/3 HP motor

NOTE - If Power Exhaust is field installed with a factory installed Economizer, the Economizer must be ordered with No Exhaust option. Barometric Relief Dampers must also be ordered separately for field installation.

NOTE - If Power Exhaust is factory installed with a factory installed Economizer, Barometric Relief Dampers must also be ordered separately for field installation.

OUTDOOR AIR

Factory or Field Installed

Motorized Outdoor Air Dampers

- Linked mechanical dampers
- Fully modulating spring return damper motor with plug-in connection
- 0 to 25% (fixed) outdoor air adjustable
- Installs in unit
- Outdoor air hood with bird screen included

NOTE - Outdoor Air Hood is shipped separately in the unit with factory installed dampers for field installation.

Field Installed

Manual Outdoor Air Damper

- Adjustable slide damper
- Installed in unit
- Outdoor air hood with bird screen included

ROOF CURBS

Field Installed

- Nailer strip furnished (downflow only)
- Mates to unit
- US National Roofing Contractors Approved
- Shipped knocked down

Hybrid Roof Curbs, Downflow

- Interlocking tabs fasten corners together
- No tools required
- Can also be fastened together with furnished hardware
- Available in 8, 14, 18, and 24 inch heights

Adjustable Pitch Curb

- Fully adjustable pitch curbs (3/4 in. per foot in any direction) provide a level platform for rooftop units allowing flexible installations on roofs with uneven or sloped angles
- Uses interlocking tabs to fasten corners together
- No tools required
- Hardware is furnished to connect upper curb with lower curb
- Available in 14 inch height

Adaptor Curbs (not shown)

- Curbs are regionally sourced
- Dimensions vary based upon the source

NOTE - Contact your local sales representative for a detailed cut sheet with applicable dimensions.

CEILING DIFFUSERS

Field Installed

Ceiling Diffusers (Flush or Step-Down)

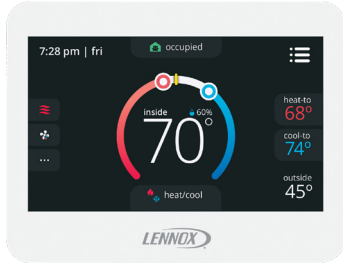
- White powder coat finish on diffuser face and grilles
- Insulated UL listed duct liner
- Diffuser box has collars for duct connection
- Step-down diffusers have double deflection blades
- Flush diffusers have fixed blades
- Provisions for suspending
- Internally sealed to prevent recirculation
- Removable return air grille
- Adapts to T-bar ceiling grids or plaster ceilings

Transitions (Supply and Return)

- Used with diffusers
- Installs in roof curb
- Galvanized steel construction
- Flanges furnished for duct connection to diffusers
- Fully insulated

OPTIONAL CONVENTIONAL TEMPERATURE CONTROL SYSTEMS

CS8500 Commercial 7-Day Programmable Thermostat



- Fully Communicating Sensor
- Full Color Touchscreen Interface
- Variable Speed System Control (On Compatible Units)
- Up To 4 Heat / 4 Cool
- Built-In Sensors For Temperature, Humidity And Optional CO₂
- Remote Sensor Options For Occupancy, Temperature
- BACnet Capable Options
- 5-2 or 7-Day Scheduling
- Smooth Setback Recovery
- Heat/Cool Auto-Changeover
- Four-Wire Installation
- FDD, ASHRAE, IECC Compliant

CS7500 Commercial 7-Day Programmable Thermostat



- Premium Universal Thermostat
- Full Color Touchscreen Interface
- Up To 4 Heat / 3 Cool
- Built-In Sensors For Temperature and Humidity
- Remote Sensors Options For Temperature, Discharge Air, Outdoor Air
- 5-2 or 7-Day Scheduling
- Smooth Setback Recovery
- Heat/Cool Auto-Changeover
- FDD, ASHRAE, IECC Compliant

CS3000 Commercial 5-2 Day Programmable Thermostat



- Conventional Multi-Stage Thermostat
- Intuitive Display
- Push-Button Operation
- Up To 2 Heat / 2 Cool
- Built-In Temperature Sensor
- Remote Temperature Sensing
- Up to 5-2 Day Scheduling
- Smooth Setback Recovery
- Heat/Cool Auto-changeover

Wired Temperature/Humidity Room Sensor (Non-Communicating)



- Terminal blocks for wiring connections
- Five-wire sensor connection
- Off-white plastic enclosure
- Non-adjustable
- Relative humidity range: 0 -100%
- +/- 3% Accuracy

OPTIONAL CONVENTIONAL TEMPERATURE CONTROL SYSTEMS

Description	Order Number
CS8500 Commercial 7 Day Programmable Thermostat	
CS8500 7-Day Thermostat	No CO ₂ Sensing 24K55
	With CO ₂ Sensing 24K53
Sensors/Accessories	¹ Remote non-adjustable wall-mount 10k 47W37
	¹ Remote non-adjustable wall-mount 11k 94L61
Sysbus Network Cable (Yellow) for CS8500 and LCS-5030 Wired Room Sensor	
Twisted pair 100% shielded communication cable, Red and Black	500 ft. box 27M19
22 AWG, yellow jacket, rated at 75°C, 300V, Plenum rated	1000 ft. box 94L63
Insulation - Low smoke PVC, NEC, CMP	2500 ft. roll 68M25
CS7500 Commercial 7-Day Programmable Thermostat	
CS7500 7-Day Thermostat	24K41
Sensors/Accessories	² Remote non-adjustable wall-mount 20k 47W36
	² Remote non-adjustable wall-mount 10k 47W37
	Remote non-adjustable discharge air (duct mount) 19L22
	Outdoor temperature sensor X2658
CS3000 Commercial 5-2 Day Programmable Thermostat	
CS3000 5-2 Day Thermostat	11Y05
Sensors/Accessories	Remote non-adjustable wall mount 10k averaging 47W37
	Thermostat wall mounting plate X2659
Universal Thermostat Guard with Lock (clear)	
	Inside Dimensions (H x W x D) 5-7/8 x 8-3/8 x 3 in. 39P21
Temperature/Humidity Room Sensor	
A335MT13AE1 Wired Temperature/Humidity Room Sensor (Non-Communicating)	21W06

¹ Up to nine of the same type remote temperature sensors can be connected in parallel.

² Remote wall-mount sensors can be applied in any of the following combinations:
 One Sensor - (1) 47W36, Two Sensors - (2) 47W37, Three Sensors - (2) 47W36 and (1) 47W37
 Four Sensors - (4) 47W36, Five Sensors - (3) 47W36 and (2) 47W37

SEQUENCE OF OPERATION

Objective: Outline the unit functions as a result of room thermostat or zone sensor demands.

Given: When economizer is present, it will function as initial part of the unit cooling system. When not present, unit will function as if outdoor ambient is high and sensed as not suitable.

NOTE: When the compressor is operating at first stage, the condenser fan is operating at low speed. The condenser fan switches to high speed when the compressor switches to second stage to match operation.

Modulating Outdoor Air Damper

Damper minimum positions #1 and 2 are adjusted during unit setup to provide minimum fresh air requirements at the indicated supply fan speeds per ASHRAE 62.1.

- Supply fan is off and the outdoor air damper is closed
- Supply fan is on low speed and the outdoor air damper is at minimum position 1
- Supply fan is on high speed and the outdoor air damper is at minimum position 2

COOLING

¹ Unit Features an Economizer and Outdoor Air is Suitable

Thermostat or Zone Sensor Mode (Up to 3 stages Y1, Y2, Y3)

Y1 Demand:

Compressor is off, supply fan is on low speed, economizer modulates (minimum to maximum open position) to maintain 55°F supply air temperature (default unit controller setting).

After 5 minutes (default unit controller setting), supply fan switches to high speed. Economizer continues modulating with supply fan on high speed to maintain 55°F supply air temperature.

Y2 Demand:

Compressor is off, supply fan is on high speed, and economizer modulates to maintain 55°F supply air temperature.

Economizer opens to maximum. If economizer stays at maximum open for 3 minutes (default unit controller setting) compressor is energized and operates at first stage while supply fan stays on high speed.

NOTE - The reversing valve is energized at the same time as the compressor.

¹ Outdoor air suitability is determined by the energy state of outdoor ambient (enthalpy or sensible) and its ability to achieve the desired free cooling effects. Outdoor air suitability can also be determined by a third party controller and provided to the RTU via a network connection.

Y3 Demand:

Economizer is at maximum open and compressor operates at first stage. If economizer stays at maximum open for 3 minutes (default unit controller setting) compressor switches to second stage operation while supply fan stays on high speed.

Unit Does Not Feature an Economizer (or Outdoor Air Is Not Suitable)

Thermostat or Zone Sensor (Up to 2 stages Y1, Y2)

Y1 Demand:

Compressor operates at first stage and supply fan operates at low speed.

Y2 Demand:

Compressor operates at second stage and supply fan operates at high speed.

SEQUENCE OF OPERATION

HEATING

Thermostat or Zone Sensor (1 stage W1)

W1 Demand:

A first-stage heating demand (W1) will energize compressor 1 and the outdoor fan

NOTE - L1 reversing valve is de-energized in the heating mode

Units With Optional Electric Heat

An increased heating demand (W2) will energize electric heat.

All stages of electric heat are energized during the defrost cycle (W1).

DEFROST

Coil Sensor (RT48) and Ambient Sensor (RT17) provides input to the Lennox® CORE Unit Controller to initiate a defrost cycle if needed.

Coil sensor is located on a return bend on the front of the outdoor coil.

Ambient sensor is located on the inside of the corner mullion on the back of the outdoor coil section.

If the coil sensor measures a temperature below 35°F during mechanical heating mode, defrost logic is enabled. The system will constantly monitor coil and ambient temperatures and will initiate a defrost cycle if the controller determines that the target temperature difference between the coil and ambient temperature has been satisfied, or when the accumulated run time with coil temperature below 35°F reaches 6 hours.

If the ambient sensor fails, or the circuit is in uncalibrated state, the controller will switch to time/temperature defrost operation.

Electric heat is energized during a defrost cycle to maintain discharge air temperature.

OPTIONS / ACCESSORIES

Item	Order Number	Size				
		036	048	060	072	
COOLING SYSTEM						
Condensate Drain Trap	PVC	22H54	X	X	X	X
	Copper	76W27	X	X	X	X
Drain Pan Overflow Switch		21Z07	OX	OX	OX	OX
BLOWER - SUPPLY AIR						
Motors - Standard Static (All voltages)	Direct Drive ECM Blower - 0.50 HP	Factory	O			
	1.0 HP	Factory		O	O	
Motors - High Static (3 phase only)	DirectPlus™ Direct Drive ECM Blower System - 1.5 HP	Factory	O	O	O	O
CABINET						
Combination Coil/Hail Guards		13T03	OX	OX	OX	OX
Corrosion Protection		Factory	O	O	O	O
CONTROLS						
Blower Proving Switch		21Z10	OX	OX	OX	OX
Commercial Controls	LonTalk® Module	54W27	OX	OX	OX	OX
	Novar® LSE	Factory	O	O	O	O
Dirty Filter Switch		53W66	OX	OX	OX	OX
Fresh Air Tempering		21Z08	OX	OX	OX	OX
Smoke Detector - Supply or Return (Power board and one sensor)		21Z11	OX	OX	OX	OX
Smoke Detector - Supply and Return (Power board and two sensors)		21Z12	OX	OX	OX	OX
ELECTRICAL						
Voltage 60 Hz	208/230V - 1 phase	Factory	O	O	O	O
	208/230V - 3 phase	Factory	O	O	O	O
	460V - 3 phase	Factory	O	O	O	O
	575V - 3 phase	Factory	O	O	O	O
¹ HACR Circuit Breakers		Factory	O	O	O	O
¹ Disconnect Switch	80 amp	22A23	OX	OX	OX	OX
	150 amp	22A24	OX	OX	OX	OX
² Short-Circuit Current Rating (SCCR) of 100kA (includes Phase/Voltage Detection)		Factory	O	O	O	O
GFI Service Outlets	15 amp non-powered, field-wired (208/230V, 460V only)	74M70	OX	OX	OX	OX
	15 amp factory-wired and powered (208/230V, 460V)	Factory	O	O	O	O
	³ 20 amp non-powered, field-wired (208/230V, 460V, 575V)	67E01	X	X	X	X
	² 20 amp non-powered, field-wired (575V only)	Factory	O	O	O	O
Weatherproof Cover for GFI		10C89	X	X	X	X
Phase/Voltage Detection - 3 Phase Models Only		Factory	O	O	O	O

¹ HACR Circuit Breaker or Disconnect switch is required and must be ordered separately.

² Disconnect Switch not available with SCCR option.

SCCR option is only available with factory installed electric heat or no electric.

SCCR option is not available if the MOCP of the configured unit is greater than 200A.

³ Canada requires a minimum 20 amp circuit. Select 20 amp, non-powered, field wired GFI.

NOTE - Order Numbers shown are for ordering field installed accessories.

OX = Configure To Order (Factory Installed) or Field Installed.

O = Configure To Order (Factory Installed).

X = Field Installed.

OPTIONS / ACCESSORIES

Item	Order Number	Size				
		036	048	060	072	
ELECTRIC HEAT						
7.5 kW	208/240V-1ph	24U10	OX	OX	OX	
	208/240V-3ph	24U11	OX	OX	OX	OX
	460V-3ph	24U12	OX	OX	OX	OX
	575V-3ph	24U13	OX	OX	OX	OX
15 kW	208/240V-1ph	24U15	OX	OX	OX	
	208/240V-3ph	24U16	OX	OX	OX	OX
	460V-3ph	24U17	OX	OX	OX	OX
	575V-3ph	24U18	OX	OX	OX	OX
22.5 kW	208/240V-1ph	24U19			OX	
	208/240V-3ph	24U20			OX	OX
	460V-3ph	24U21			OX	OX
	575V-3ph	24U22			OX	OX

ECONOMIZER

High Performance Economizer With Outdoor Air Hood (Sensible Control) (Approved for California Title 24 Building Standards / AMCA Class 1A Certified)

High Performance Economizer - Includes Barometric Relief Dampers and Combination Hood	20H48	OX	OX	OX	OX
---	--------------	----	----	----	----

Economizer Accessories

Horizontal Economizer Conversion Kit	17W45	X	X	X	X
--------------------------------------	--------------	---	---	---	---

Economizer Controls (Not for Title 24)

Single Enthalpy	21Z09	OX	OX	OX	OX
Differential Enthalpy	Order 2 21Z09	OX	OX	OX	OX
Sensible Control	Sensor is Furnished Factory	O	O	O	O
Outdoor Air CFM Control	13J76	X	X	X	X
Global Control	Sensor Field Provided Factory	O	O	O	O
Building Pressure Control	13J77	X	X	X	X

POWER EXHAUST FAN (DOWNFLOW ONLY)

Standard Static	208/230V-1 or 3ph	21Z13	OX	OX	OX	OX
<i>NOTE - Factory or Field installed Power Exhaust Fan requires "Barometric Relief Dampers for Power Exhaust Kit (21Z21)" for field installation.</i>	460V-3ph	21Z14	OX	OX	OX	OX
	575V-3ph	21Z15	OX	OX	OX	OX

BAROMETRIC RELIEF

⁴ Barometric Relief Dampers for Power Exhaust Kit	21Z21	X	X	X	X
⁵ Horizontal Barometric Relief Dampers With Outdoor Air and Exhaust Hood	19F01	X	X	X	X

OUTDOOR AIR

Outdoor Air Dampers With Outdoor Air Hood

Motorized	15D17	OX	OX	OX	OX
Manual	15D18	X	X	X	X

⁴ Required when Economizer is factory installed with factory installed Power Exhaust Fan option.

⁵ Required when Economizer is configured for horizontal airflow.

NOTE - Order Numbers shown are for ordering field installed accessories.

OX = Configure To Order (Factory Installed) or Field Installed.

O = Configure To Order (Factory Installed).

X = Field Installed.

OPTIONS / ACCESSORIES

Item	Order Number	Size				
		036	048	060	072	
INDOOR AIR QUALITY						
Air Filters						
Healthy Climate® High Efficiency Air Filters 20 x 20 x 2 in.	MERV 8 (Order 4)	54W21	OX	OX	OX	OX
	MERV 13 (Order 4)	52W39	OX	OX	OX	OX
	MERV 16 (Order 4)	21U40	X	X	X	X
Replaceable Media Filter With Metal Mesh Frame (includes non-pleated filter media)	20 x 20 x 2 in. (Order 4)	44N60	X	X	X	X
Indoor Air Quality (CO₂) Sensors						
Sensor - Wall-mount, off-white plastic cover with LCD display		24C58	X	X	X	X
Sensor - Wall-mount, off-white plastic cover, no display		23V86	X	X	X	X
Sensor - Black plastic case, LCD display, rated for plenum mounting		87N52	X	X	X	X
Sensor - Black plastic case, no display, rated for plenum mounting		23V87	X	X	X	X
CO ₂ Sensor Duct Mounting Kit - for downflow applications		23Y47	X	X	X	X
Aspiration Box - for duct mounting non-plenum rated CO ₂ sensors (24C58)		90N43	X	X	X	X
Needlepoint Bipolar Ionization (NPBI)						
Needlepoint Bipolar Ionization (NPBI) Kit		22U14	X	X	X	X
UVC Germicidal Lamps						
⁶ Healthy Climate® UVC Light Kit (110/230V-1ph)		21A92	X	X	X	X
Step-Down Transformers	460V primary, 230V secondary	10H20	X	X	X	X
	575V primary, 230V secondary	10H21	X	X	X	X
ROOF CURBS						
Hybrid Roof Curbs, Downflow						
8 in. height		11F50	X	X	X	X
14 in. height		11F51	X	X	X	X
18 in. height		11F52	X	X	X	X
24 in. height		11F53	X	X	X	X
Adjustable Pitched Curb						
14 in. height		42W27	X	X	X	X
Transition Curb						
Matches Enlight 036-072 Units to existing L Series® Curbs		31B05	X	X	X	X
CEILING DIFFUSERS						
Step-Down - Order one	RTD11-95S	13K61	X	X	X	X
Flush - Order one	FD11-95S	13K56	X	X	X	X
Transitions (Supply and Return) - Order one	T1TRAN20N-1	17W54	X	X	X	X

⁶ Lamps operate on 110-230V single-phase power supply. Step-down transformer may be ordered separately for 460V and 575V units. Alternately, 110V power supply may be used to directly power the UVC ballast(s).

NOTE - Order Numbers shown are for ordering field installed accessories.

OX = Configure To Order (Factory Installed) or Field Installed.

O = Configure To Order (Factory Installed).

X = Field Installed.

SPECIFICATIONS					
Model		LHT036H5E	LHT048H5E	LHT060H5E	LHT072H5E
Nominal Tonnage		3	4	5	6
Efficiency Type		High	High	High	High
Blower Type		MSAV® ECM Direct Drive	MSAV® ECM Direct Drive	MSAV® ECM Direct Drive	MSAV® ECM Direct Drive
Cooling Performance	Gross Cooling Capacity (Btuh)	38,000	46,800	60,000	70,000
	¹ Net Cooling Capacity (Btuh)	35,500	44,500	57,000	66,000
	¹ AHRI Rated Air Flow (cfm-high/low)	1400/935	1400/1100	1800/1300	2100/1500
	¹ SEER2 (Btuh/Watt)	16.0	15.6	15.2	---
	¹ EER2 (Btuh/Watt)	12.2	12.0	11.8	---
	¹ IEER (Btuh/Watt)	---	---	---	15.5
	¹ EER (Btuh/Watt)	---	---	---	11.0
	Total Unit Power (kW)	2.9	3.7	4.7	5.9
Heating Performance	¹ Total High Heating Capacity (Btuh)	34,000	44,000	57,000	66,000
	¹ AHRI Rated Air Flow (cfm)	1400/935	1400/1100	1800/1300	2100/1500
	¹ HSPF2 (Region IV)	7.2	7.2	7.2	---
	HSPF2 (Region V)	5.7	5.9	5.8	---
	¹ COP	3.5	3.5	3.5	3.5
	Total Unit Power (kW)	2.8	3.7	4.8	5.5
	¹ Total Low Heating Capacity (Btuh)	19,000	25,000	33,000	35,500
	¹ COP	2.1	2.1	2.2	2.25
	Total Unit Power (kW)	2.7	3.3	4.2	4.6
Sound Rating Number	dBA	75	75	82	82
Refrigerant	Refrigerant Type	R-454B	R-454B	R-454B	R-454B
		13 lbs. 9 oz.	13 lbs. 15 oz.	16 lbs. 2 oz.	13 lbs. 10 oz.
Electric Heat Available		See Page 17			
Compressor Type (Number)		Two-Stage Scroll (1)			
Outdoor Coil	Net face area - ft. ²	19.3	19.3	19.3	19.3
	Tube Diameter - in.	3/8	3/8	3/8	3/8
	Rows	2	2	3	3
	Fins - in.	20	20	20	20
Outdoor Fan	Motor HP (number and type)	1/3 (1 ECM)	1/3 (1 ECM)	1/3 (1 ECM)	1/3 (1 ECM)
	Rpm	850/575	850/700	945/725	945
	Watts	70-240	140-240	140-310	310
	Diameter (Number) - in.	(1) 24	(1) 24	(1) 24	(1) 24
	Blades	3	3	3	3
	Total air volume - cfm	4060/2740	4060/3330	4400/3550	4400
Indoor Coil	Net face area - ft. ²	9.7	9.7	9.7	9.7
	Tube Diameter - in.	3/8	3/8	3/8	3/8
	Rows	3	3	4	4
	Fins - in.	14	14	14	14
	Condensate drain size (NPT) - in.	(1) 1	(1) 1	(1) 1	(1) 1
	Expansion device type	Balanced Port Thermostatic Expansion Valve			
Indoor Blower	Standard Blower type	Direct Drive ECM			---
	Static Blade type	Forward Curved			---
	(All Voltages) Nominal motor HP	0.50	1	1	---
	Wheel (Number) diameter x width - in.	(1) 10 X 10	(1) 11 X 10	(1) 11 X 10	---
	High Blower type	DirectPlus™ Direct Drive ECM			
	Static Blade type	Backward Curved			
(3ph Only) Nominal motor HP	1.5	1.5	1.5	1.5	
	Wheel (Number) diameter x width - in.	(1) 14 X 5	(1) 14 X 5	(1) 14 X 5	(1) 14 X 5
Filters	Type	MERV 4, Disposable			
	Number and size - in.	(4) 20 x 20 x 2			
Line voltage data (Volts-Phase-Hz)		208/230-1-60 208/230-3-60 460-3-60 575-3-60			208/230-3-60 460-3-60 575-3-60

NOTE - Net capacity includes evaporator blower motor heat deduction. Gross capacity does not include evaporator blower motor heat deduction.

¹ AHRI Certified to AHRI Standard 210/240 (3-5 ton) or 340/360 (6 ton):

Cooling Ratings - 95°F outdoor air temperature and 80°F db/67°F wb entering indoor coil air.

High Temperature Heating Ratings - 47°F db/43°F wb outdoor air temperature and 70°F entering indoor coil air.

Low Temperature Heating Ratings - 17°F db/15°F wb outdoor air temperature and 70°F entering indoor coil air.

COOLING / HEATING RATINGS

NOTE - For Temperatures and Capacities not shown in tables, see bulletin - Cooling Unit Rating Table Correction Factor Data in Miscellaneous Product Data section.

3 TON COOLING LHT036H5E (PART LOAD)

Entering Wet Bulb Temperature	Total Air Volume	Outdoor Air Temperature Entering Outdoor Coil																			
		65°F					75°F					85°F					95°F				
		Total Cool Cap.	Comp. Motor Input	Sensible To Total Ratio (S/T)			Total Cool Cap.	Comp. Motor Input	Sensible To Total Ratio (S/T)			Total Cool Cap.	Comp. Motor Input	Sensible To Total Ratio (S/T)			Total Cool Cap.	Comp. Motor Input	Sensible To Total Ratio (S/T)		
				Dry Bulb					Dry Bulb					Dry Bulb					Dry Bulb		
cfm	kBtuh	kW	75°F	80°F	85°F	kBtuh	kW	75°F	80°F	85°F	kBtuh	kW	75°F	80°F	85°F	kBtuh	kW	75°F	80°F	85°F	
63°F	640	26.1	1.12	0.67	0.8	0.94	24.1	1.29	0.67	0.81	0.96	22	1.47	0.67	0.83	1	19.9	1.67	0.68	0.85	1
	800	28	1.11	0.72	0.88	1	25.9	1.28	0.73	0.9	1	23.7	1.46	0.74	0.94	1	21.3	1.66	0.75	0.98	1
	960	29.4	1.1	0.77	0.96	1	27.3	1.27	0.79	0.99	1	25.1	1.45	0.81	1	1	22.9	1.65	0.84	1	1
67°F	640	28.1	1.11	0.53	0.65	0.77	26	1.28	0.52	0.65	0.78	23.9	1.46	0.52	0.66	0.79	21.5	1.66	0.51	0.66	0.81
	800	30.1	1.1	0.57	0.7	0.84	28	1.26	0.57	0.71	0.87	25.6	1.45	0.56	0.72	0.9	23.1	1.65	0.55	0.73	0.93
	960	31.6	1.09	0.6	0.76	0.92	29.3	1.26	0.6	0.77	0.95	26.8	1.44	0.6	0.79	0.99	24.2	1.64	0.6	0.81	1
71°F	640	30.1	1.1	0.41	0.53	0.63	28	1.27	0.4	0.52	0.63	25.8	1.45	0.38	0.51	0.64	23.3	1.65	0.36	0.5	0.64
	800	32.2	1.09	0.43	0.56	0.68	29.9	1.25	0.42	0.56	0.69	27.4	1.44	0.4	0.56	0.7	25	1.64	0.39	0.56	0.72
	960	33.7	1.08	0.45	0.6	0.73	31.3	1.24	0.44	0.6	0.75	28.7	1.43	0.43	0.6	0.77	26.1	1.63	0.42	0.61	0.79

3 TON COOLING LHT036H5E (FULL LOAD)

Entering Wet Bulb Temperature	Total Air Volume	Outdoor Air Temperature Entering Outdoor Coil																			
		85°F					95°F					105°F					115°F				
		Total Cool Cap.	Comp. Motor Input	Sensible To Total Ratio (S/T)			Total Cool Cap.	Comp. Motor Input	Sensible To Total Ratio (S/T)			Total Cool Cap.	Comp. Motor Input	Sensible To Total Ratio (S/T)			Total Cool Cap.	Comp. Motor Input	Sensible To Total Ratio (S/T)		
				Dry Bulb					Dry Bulb					Dry Bulb					Dry Bulb		
cfm	kBtuh	kW	75°F	80°F	85°F	kBtuh	kW	75°F	80°F	85°F	kBtuh	kW	75°F	80°F	85°F	kBtuh	kW	75°F	80°F	85°F	
63°F	960	34.8	1.98	0.69	0.84	1	32	2.23	0.7	0.87	1	29	2.52	0.71	0.9	1	26.2	2.85	0.73	0.94	1
	1200	36.9	2	0.75	0.95	1	34	2.25	0.77	0.98	1	31.3	2.53	0.79	1	1	28.5	2.86	0.83	1	1
	1440	38.9	2.01	0.82	1	1	36.4	2.27	0.85	1	1	33.6	2.55	0.89	1	1	30.6	2.88	0.93	1	1
67°F	960	37.1	2	0.53	0.67	0.81	34.3	2.25	0.53	0.68	0.83	31.6	2.54	0.53	0.69	0.86	28.3	2.86	0.53	0.71	0.9
	1200	39.4	2.02	0.58	0.73	0.91	36.4	2.27	0.58	0.75	0.94	33.3	2.55	0.58	0.77	0.98	30.1	2.88	0.59	0.8	1
	1440	41.2	2.03	0.62	0.8	1	38	2.28	0.62	0.82	1	34.7	2.56	0.63	0.86	1	31.2	2.89	0.65	0.9	1
71°F	960	39.7	2.02	0.4	0.53	0.65	37	2.27	0.39	0.53	0.66	33.8	2.55	0.38	0.53	0.67	30.8	2.88	0.36	0.52	0.69
	1200	42	2.04	0.42	0.57	0.71	39	2.29	0.42	0.58	0.73	35.8	2.57	0.41	0.58	0.75	32.4	2.9	0.4	0.59	0.78
	1440	43.7	2.06	0.45	0.61	0.78	40.6	2.3	0.44	0.62	0.81	37.3	2.58	0.43	0.63	0.83	33.7	2.91	0.43	0.65	0.88

3 TON HEATING LHT036H5E

Indoor Coil Air Volume 70°F Dry Bulb cfm	Air Temperature Entering Outdoor Coil									
	65°F		45°F		25°F		5°F		-15°F	
	Total Heating Capacity	Comp. Motor Input	Total Heating Capacity	Comp. Motor Input	Total Heating Capacity	Comp. Motor Input	Total Heating Capacity	Comp. Motor Input	Total Heating Capacity	Comp. Motor Input
	kBtuh	kW	kBtuh	kW	kBtuh	kW	kBtuh	kW	kBtuh	kW
960	41.6	2.49	31.8	2.36	21.9	2.23	13.4	2.00	6.6	1.50
1200	42.4	2.30	32.6	2.17	22.7	2.04	14.2	1.82	7.4	1.32
1440	43.2	2.19	33.4	2.06	23.5	1.93	14.9	1.71	8.2	1.21

COOLING / HEATING RATINGS

NOTE - For Temperatures and Capacities not shown in tables, see bulletin - Cooling Unit Rating Table Correction Factor Data in Miscellaneous Product Data section.

4 TON COOLING LHT048H5E (PART LOAD)

Entering Wet Bulb Temperature	Total Air Volume	Outdoor Air Temperature Entering Outdoor Coil																							
		65°F						75°F						85°F						95°F					
		Total Cool Cap.	Comp. Motor Input	Sensible To Total Ratio (S/T)			Total Cool Cap.	Comp. Motor Input	Sensible To Total Ratio (S/T)			Total Cool Cap.	Comp. Motor Input	Sensible To Total Ratio (S/T)			Total Cool Cap.	Comp. Motor Input	Sensible To Total Ratio (S/T)						
				Dry Bulb					Dry Bulb					Dry Bulb					Dry Bulb						
cfm	kBtuh	kW	75°F	80°F	85°F	kBtuh	kW	75°F	80°F	85°F	kBtuh	kW	75°F	80°F	85°F	kBtuh	kW	75°F	80°F	85°F					
63°F	895	35.9	1.44	0.68	0.82	0.96	33.5	1.69	0.69	0.83	0.99	30.8	1.97	0.69	0.86	1	28.2	2.3	0.71	0.89	1				
	1120	38.3	1.43	0.73	0.9	1	35.6	1.68	0.75	0.93	1	32.9	1.97	0.76	0.96	1	30.3	2.29	0.78	1	1				
	1345	40.1	1.41	0.79	0.99	1	37.4	1.67	0.81	1	1	34.9	1.95	0.83	1	1	32.4	2.28	0.86	1	1				
67°F	895	38.5	1.42	0.54	0.66	0.78	35.8	1.68	0.54	0.67	0.8	33.2	1.96	0.54	0.67	0.81	30.4	2.29	0.53	0.68	0.84				
	1120	40.7	1.41	0.58	0.72	0.87	38.1	1.66	0.58	0.73	0.89	35.4	1.95	0.58	0.74	0.92	32.5	2.28	0.58	0.75	0.96				
	1345	42.6	1.4	0.61	0.77	0.95	39.9	1.65	0.62	0.79	0.98	37	1.94	0.62	0.81	1	33.9	2.28	0.63	0.84	1				
71°F	895	40.8	1.41	0.41	0.53	0.64	38.3	1.66	0.41	0.53	0.65	35.6	1.95	0.4	0.53	0.66	32.9	2.28	0.39	0.53	0.66				
	1120	43.5	1.4	0.44	0.57	0.7	40.7	1.65	0.43	0.57	0.71	37.8	1.94	0.42	0.57	0.72	34.9	2.27	0.41	0.57	0.74				
	1345	45.2	1.38	0.46	0.61	0.75	42.4	1.63	0.45	0.61	0.77	39.5	1.92	0.44	0.62	0.78	36.5	2.26	0.44	0.63	0.82				

4 TON COOLING LHT048H5E (FULL LOAD)

Entering Wet Bulb Temperature	Total Air Volume	Outdoor Air Temperature Entering Outdoor Coil																							
		85°F						95°F						105°F						115°F					
		Total Cool Cap.	Comp. Motor Input	Sensible To Total Ratio (S/T)			Total Cool Cap.	Comp. Motor Input	Sensible To Total Ratio (S/T)			Total Cool Cap.	Comp. Motor Input	Sensible To Total Ratio (S/T)			Total Cool Cap.	Comp. Motor Input	Sensible To Total Ratio (S/T)						
				Dry Bulb					Dry Bulb					Dry Bulb					Dry Bulb						
cfm	kBtuh	kW	75°F	80°F	85°F	kBtuh	kW	75°F	80°F	85°F	kBtuh	kW	75°F	80°F	85°F	kBtuh	kW	75°F	80°F	85°F					
63°F	1280	45.5	2.7	0.71	0.86	1	42.7	3.05	0.72	0.88	1	39.2	3.44	0.73	0.91	1	35.6	3.88	0.74	0.95	1				
	1600	48.5	2.72	0.77	0.95	1	45.2	3.07	0.78	0.98	1	41.9	3.46	0.81	1	1	38.4	3.91	0.84	1	1				
	1920	50.6	2.74	0.84	1	1	47.6	3.09	0.86	1	1	44.4	3.48	0.89	1	1	41	3.93	0.93	1	1				
67°F	1280	48.8	2.72	0.55	0.68	0.82	45.5	3.07	0.56	0.69	0.85	42.2	3.46	0.56	0.71	0.87	38.4	3.91	0.56	0.73	0.91				
	1600	51.4	2.74	0.59	0.75	0.91	47.9	3.09	0.6	0.76	0.95	44.3	3.48	0.6	0.79	0.99	40.6	3.93	0.61	0.82	1				
	1920	53.4	2.75	0.63	0.81	1	49.6	3.1	0.64	0.84	1	45.8	3.49	0.65	0.88	1	41.8	3.94	0.67	0.91	1				
71°F	1280	51.6	2.74	0.41	0.54	0.67	48.3	3.09	0.41	0.54	0.68	44.9	3.48	0.4	0.55	0.69	40.9	3.93	0.39	0.55	0.71				
	1600	54.5	2.76	0.43	0.58	0.73	50.7	3.11	0.43	0.59	0.75	46.9	3.5	0.43	0.6	0.76	43.1	3.95	0.42	0.61	0.79				
	1920	56.3	2.77	0.46	0.63	0.79	52.7	3.12	0.46	0.64	0.82	48.8	3.51	0.45	0.64	0.85	44.8	3.96	0.45	0.67	0.89				

4 TON HEATING LHT048H5E

Indoor Coil Air Volume 70°F Dry Bulb cfm	Air Temperature Entering Outdoor Coil									
	65°F		45°F		25°F		5°F		-15°F	
	Total Heating Capacity	Comp. Motor Input	Total Heating Capacity	Comp. Motor Input	Total Heating Capacity	Comp. Motor Input	Total Heating Capacity	Comp. Motor Input	Total Heating Capacity	Comp. Motor Input
	kBtuh	kW	kBtuh	kW	kBtuh	kW	kBtuh	kW	kBtuh	kW
1280	55.0	3.11	41.7	2.92	28.2	2.72	16.9	2.43	8.4	1.82
1600	56.3	2.90	43.0	2.71	29.5	2.52	18.2	2.23	9.6	1.62
1920	57.5	2.77	44.1	2.58	30.7	2.39	19.4	2.10	10.8	1.49

COOLING / HEATING RATINGS

NOTE - For Temperatures and Capacities not shown in tables, see bulletin - Cooling Unit Rating Table Correction Factor Data in Miscellaneous Product Data section.

5 TON COOLING LHT060H5E (PART LOAD)

Entering Wet Bulb Temperature	Total Air Volume	Outdoor Air Temperature Entering Outdoor Coil																			
		65°F					75°F					85°F					95°F				
		Total Cool Cap.	Comp. Motor Input	Sensible To Total Ratio (S/T)			Total Cool Cap.	Comp. Motor Input	Sensible To Total Ratio (S/T)			Total Cool Cap.	Comp. Motor Input	Sensible To Total Ratio (S/T)			Total Cool Cap.	Comp. Motor Input	Sensible To Total Ratio (S/T)		
				Dry Bulb					Dry Bulb					Dry Bulb					Dry Bulb		
cfm	kBtuh	kW	75°F	80°F	85°F	kBtuh	kW	75°F	80°F	85°F	kBtuh	kW	75°F	80°F	85°F	kBtuh	kW	75°F	80°F	85°F	
63°F	1080	45	1.84	0.67	0.81	0.97	42.2	2.16	0.67	0.82	1	38.9	2.51	0.68	0.85	1	35.5	2.91	0.7	0.89	1
	1350	47.8	1.83	0.72	0.9	1	44.6	2.15	0.73	0.93	1	41.3	2.5	0.75	0.97	1	38.3	2.9	0.78	1	1
	1620	49.5	1.82	0.78	1	1	46.7	2.14	0.8	1	1	44.1	2.49	0.83	1	1	40.7	2.89	0.87	1	1
67°F	1080	48.1	1.82	0.53	0.65	0.77	45.3	2.14	0.54	0.66	0.78	42.3	2.5	0.54	0.67	0.81	38.8	2.89	0.54	0.67	0.84
	1350	51.1	1.81	0.57	0.7	0.86	48	2.13	0.57	0.71	0.89	44.6	2.49	0.58	0.73	0.92	41	2.89	0.58	0.75	0.97
	1620	53.1	1.8	0.6	0.76	0.95	50	2.12	0.61	0.78	0.99	46.4	2.48	0.61	0.81	1	42.7	2.88	0.62	0.84	1
71°F	1080	51.6	1.81	0.42	0.52	0.63	48.7	2.13	0.41	0.52	0.63	45.5	2.49	0.4	0.52	0.65	42	2.88	0.39	0.53	0.65
	1350	54.7	1.79	0.43	0.56	0.68	51.5	2.12	0.43	0.57	0.69	48	2.48	0.42	0.56	0.71	44.4	2.87	0.42	0.57	0.73
	1620	56.7	1.78	0.45	0.59	0.73	53.5	2.11	0.45	0.6	0.75	50	2.47	0.44	0.61	0.78	46.1	2.87	0.44	0.62	0.81

5 TON COOLING LHT060H5E (FULL LOAD)

Entering Wet Bulb Temperature	Total Air Volume	Outdoor Air Temperature Entering Outdoor Coil																			
		85°F					95°F					105°F					115°F				
		Total Cool Cap.	Comp. Motor Input	Sensible To Total Ratio (S/T)			Total Cool Cap.	Comp. Motor Input	Sensible To Total Ratio (S/T)			Total Cool Cap.	Comp. Motor Input	Sensible To Total Ratio (S/T)			Total Cool Cap.	Comp. Motor Input	Sensible To Total Ratio (S/T)		
				Dry Bulb					Dry Bulb					Dry Bulb					Dry Bulb		
cfm	kBtuh	kW	75°F	80°F	85°F	kBtuh	kW	75°F	80°F	85°F	kBtuh	kW	75°F	80°F	85°F	kBtuh	kW	75°F	80°F	85°F	
63°F	1650	59.2	3.59	0.7	0.87	1	55.5	4.04	0.72	0.9	1	51.2	4.54	0.73	0.94	1	46.5	5.12	0.76	1	1
	2000	61.6	3.62	0.76	0.97	1	57.6	4.06	0.78	1	1	53.8	4.57	0.81	1	1	49.8	5.16	0.86	1	1
	2400	65	3.66	0.84	1	1	61.1	4.11	0.87	1	1	57.2	4.62	0.91	1	1	52.7	5.2	0.96	1	1
67°F	1650	63.1	3.64	0.55	0.68	0.83	59.1	4.08	0.55	0.7	0.86	54.9	4.59	0.56	0.71	0.9	50.4	5.17	0.57	0.74	0.95
	2000	66.1	3.67	0.59	0.74	0.93	61.9	4.12	0.59	0.76	0.97	57.1	4.61	0.6	0.79	1	52.3	5.19	0.62	0.83	1
	2400	68.4	3.7	0.62	0.81	1	63.8	4.14	0.64	0.84	1	59.1	4.64	0.64	0.89	1	54	5.22	0.68	0.94	1
71°F	1650	67.8	3.69	0.41	0.54	0.66	63.6	4.14	0.41	0.55	0.68	59.2	4.64	0.41	0.55	0.7	54.2	5.22	0.41	0.56	0.72
	2000	70.8	3.73	0.43	0.57	0.72	66	4.17	0.43	0.58	0.74	61.4	4.67	0.43	0.59	0.76	56	5.24	0.43	0.61	0.8
	2400	72.7	3.75	0.45	0.62	0.79	68.2	4.2	0.46	0.64	0.82	63.2	4.7	0.46	0.65	0.86	58	5.27	0.47	0.66	0.91

5 TON HEATING LHT060H5E

Indoor Coil Air Volume 70°F Dry Bulb cfm	Air Temperature Entering Outdoor Coil									
	65°F		45°F		25°F		5°F		-15°F	
	Total Heating Capacity	Comp. Motor Input	Total Heating Capacity	Comp. Motor Input	Total Heating Capacity	Comp. Motor Input	Total Heating Capacity	Comp. Motor Input	Total Heating Capacity	Comp. Motor Input
	kBtuh	kW	kBtuh	kW	kBtuh	kW	kBtuh	kW	kBtuh	kW
1650	72.7	3.95	56.4	3.71	40.1	3.47	24.6	3.10	12.1	2.32
2000	74.2	3.73	57.9	3.49	41.7	3.25	26.1	2.89	13.6	2.10
2400	76.2	3.58	60.0	3.35	43.7	3.11	28.2	2.74	15.7	1.95

COOLING / HEATING RATINGS

NOTE - For Temperatures and Capacities not shown in tables, see bulletin - Cooling Unit Rating Table Correction Factor Data in Miscellaneous Product Data section.

6 TON COOLING LHT072H5E (PART LOAD)

Entering Wet Bulb Temperature	Total Air Volume	Outdoor Air Temperature Entering Outdoor Coil																			
		65°F					75°F					85°F					95°F				
		Total Cool Cap.	Comp. Motor Input	Sensible To Total Ratio (S/T)			Total Cool Cap.	Comp. Motor Input	Sensible To Total Ratio (S/T)			Total Cool Cap.	Comp. Motor Input	Sensible To Total Ratio (S/T)			Total Cool Cap.	Comp. Motor Input	Sensible To Total Ratio (S/T)		
				Dry Bulb					Dry Bulb					Dry Bulb					Dry Bulb		
cfm	kBtuh	kW	75°F	80°F	85°F	kBtuh	kW	75°F	80°F	85°F	kBtuh	kW	75°F	80°F	85°F	kBtuh	kW	75°F	80°F	85°F	
63°F	1200	54.8	2.27	0.66	0.78	0.93	51.6	2.68	0.66	0.8	0.96	47.7	3.12	0.68	0.82	0.99	43.9	3.62	0.69	0.86	1
	1600	59	2.25	0.72	0.89	1	55.8	2.66	0.74	0.92	1	50.9	3.11	0.75	0.97	1	47.4	3.61	0.77	1	1
	2000	62.4	2.23	0.79	1	1	59	2.65	0.81	1	1	55.1	3.1	0.84	1	1	51.3	3.6	0.87	1	1
67°F	1200	58.3	2.25	0.53	0.63	0.74	55.4	2.67	0.53	0.64	0.76	51.2	3.11	0.53	0.65	0.78	47.6	3.61	0.53	0.66	0.81
	1600	63.4	2.23	0.57	0.7	0.85	59.4	2.65	0.57	0.71	0.88	55.4	3.1	0.57	0.73	0.91	51.3	3.6	0.58	0.75	0.96
	2000	66.1	2.22	0.61	0.76	0.96	62.4	2.64	0.62	0.79	1	58.1	3.1	0.62	0.82	1	53.4	3.59	0.64	0.86	1
71°F	1200	62.8	2.23	0.41	0.52	0.62	59.4	2.65	0.41	0.51	0.62	55.3	3.1	0.4	0.52	0.63	51.3	3.6	0.4	0.52	0.65
	1600	67.4	2.21	0.44	0.56	0.68	63.7	2.64	0.43	0.56	0.69	59.2	3.09	0.43	0.57	0.71	54.7	3.59	0.43	0.57	0.73
	2000	70.5	2.2	0.46	0.6	0.74	66.3	2.63	0.46	0.61	0.77	62	3.09	0.46	0.62	0.79	57.5	3.59	0.47	0.63	0.83

6 TON COOLING LHT072H5E (FULL LOAD)

Entering Wet Bulb Temperature	Total Air Volume	Outdoor Air Temperature Entering Outdoor Coil																			
		85°F					95°F					105°F					115°F				
		Total Cool Cap.	Comp. Motor Input	Sensible To Total Ratio (S/T)			Total Cool Cap.	Comp. Motor Input	Sensible To Total Ratio (S/T)			Total Cool Cap.	Comp. Motor Input	Sensible To Total Ratio (S/T)			Total Cool Cap.	Comp. Motor Input	Sensible To Total Ratio (S/T)		
				Dry Bulb					Dry Bulb					Dry Bulb					Dry Bulb		
cfm	kBtuh	kW	75°F	80°F	85°F	kBtuh	kW	75°F	80°F	85°F	kBtuh	kW	75°F	80°F	85°F	kBtuh	kW	75°F	80°F	85°F	
63°F	1920	68.9	4.41	0.71	0.88	1	64.7	5.01	0.72	0.91	1	60.1	5.68	0.74	0.95	1	55.2	6.43	0.76	1	1
	2400	72.5	4.46	0.76	1	1	68.6	5.06	0.79	1	1	64.2	5.74	0.82	1	1	59	6.49	0.86	1	1
	2880	76.3	4.5	0.85	1	1	71.6	5.1	0.87	1	1	67.2	5.78	0.93	1	1	62.5	6.54	0.98	1	1
67°F	1920	74	4.47	0.56	0.69	0.83	69.2	5.07	0.56	0.7	0.87	64	5.74	0.57	0.72	0.91	59.2	6.49	0.58	0.74	0.96
	2400	77.1	4.51	0.59	0.75	0.95	72.3	5.11	0.6	0.78	1	67	5.78	0.61	0.81	1	61.7	6.53	0.62	0.84	1
	2880	79.5	4.54	0.64	0.82	1	74.4	5.14	0.64	0.86	1	69.1	5.81	0.67	0.91	1	63.6	6.56	0.69	0.96	1
71°F	1920	78.4	4.53	0.42	0.55	0.67	73.4	5.12	0.42	0.55	0.68	68.5	5.8	0.42	0.56	0.7	63.1	6.55	0.42	0.57	0.72
	2400	81.4	4.56	0.44	0.59	0.73	76.5	5.17	0.44	0.6	0.75	71.4	5.84	0.44	0.61	0.77	65.7	6.59	0.45	0.63	0.83
	2880	84.1	4.59	0.46	0.63	0.8	78.6	5.19	0.47	0.64	0.84	73.4	5.87	0.46	0.67	0.88	67.4	6.62	0.47	0.68	0.94

6 TON HEATING LHT072H5E

Indoor Coil Air Volume 70°F Dry Bulb cfm	Air Temperature Entering Outdoor Coil									
	65°F		45°F		25°F		5°F		-15°F	
	Total Heating Capacity	Comp. Motor Input	Total Heating Capacity	Comp. Motor Input	Total Heating Capacity	Comp. Motor Input	Total Heating Capacity	Comp. Motor Input	Total Heating Capacity	Comp. Motor Input
	kBtuh	kW	kBtuh	kW	kBtuh	kW	kBtuh	kW	kBtuh	kW
1920	87.4	4.89	66.2	4.51	44.8	4.12	26.6	3.64	13.2	2.75
2400	89.2	4.56	68.1	4.18	46.7	3.79	28.4	3.31	15.1	2.42
2880	90.9	4.38	69.7	3.99	48.3	3.61	30.1	3.12	16.7	2.23

BLOWER DATA
BLOWER TABLE INCLUDES RESISTANCE FOR BASE UNIT ONLY WITH DRY INDOOR COIL AND AIR FILTERS IN PLACE.

FOR ALL UNITS ADD:

- 1 - Any factory installed options air resistance (heat section, economizer, etc.).
- 2 - Any field installed accessories air resistance (duct resistance, diffuser, etc.).

See Page 31 for wet coil and options/accessory air resistance data.

External Static Press. in. w.g.	Percentage of Total Motor Torque																										
	20%		30%		40%		50%		60%		70%		80%		90%		100%										
	Cfm	RPM	Cfm	RPM	Cfm	RPM	Cfm	RPM	Cfm	RPM	Cfm	RPM	Cfm	RPM	Cfm	RPM	Cfm	RPM									
0	819	47	403	1006	79	463	1192	111	523	1335	152	573	1477	193	622	1580	236	661	1682	279	699	1812	353	753	1876	400	783
0.1	723	48	485	919	82	539	1114	116	593	1264	159	637	1414	202	681	1522	246	715	1629	290	749	1767	365	797	1835	414	824
0.2	636	51	565	840	88	613	1044	124	660	1201	169	699	1357	213	738	1470	258	769	1582	303	799	1726	380	841	1797	429	865
0.3	557	57	641	769	96	683	981	134	725	1144	180	760	1306	226	794	1423	273	821	1540	319	848	1689	397	885	1761	446	906
0.4	485	65	713	704	106	750	923	146	787	1091	194	818	1259	241	848	1380	289	872	1500	336	895	1653	415	929	1725	463	948
0.5	418	73	783	644	116	815	870	158	846	1043	207	873	1215	256	900	1339	305	921	1462	353	942	1618	433	973	1689	481	991
0.6	355	82	849	587	127	876	819	171	903	996	222	927	1173	272	950	1299	321	969	1425	370	987	1582	451	1016	1651	499	1034
0.7	---	---	---	---	---	---	769	184	957	950	236	978	1131	287	998	1259	337	1015	1387	387	1032	1544	468	1058	1610	516	1077
0.8	---	---	---	---	---	---	720	195	1008	904	248	1026	1088	301	1044	1218	352	1060	1347	403	1075	1503	484	1101	1565	531	1121
0.9	---	---	---	---	---	---	670	206	1057	857	260	1073	1043	314	1088	1173	366	1102	1303	417	1116	1458	498	1142	---	---	---
1.0	---	---	---	---	---	---	617	214	1102	806	269	1116	994	324	1130	1125	376	1144	1255	428	1157	1406	510	1184	---	---	---
1.1	---	---	---	---	---	---	561	219	1145	751	276	1157	941	332	1169	1071	384	1183	1200	436	1196	1347	518	1225	---	---	---
1.2	---	---	---	---	---	---	500	221	1185	691	278	1196	881	335	1207	1010	388	1221	1139	441	1234	1280	522	1265	---	---	---
1.3	---	---	---	---	---	---	---	---	---	---	---	---	814	335	1242	942	388	1256	1069	441	1270	---	---	---	---	---	---
1.4	---	---	---	---	---	---	---	---	---	---	---	---	738	330	1276	864	384	1291	989	437	1305	---	---	---	---	---	---

External Static Press. in. w.g.	Percentage of Total Motor Torque																										
	20%		30%		40%		50%		60%		70%		80%		90%		100%										
	Cfm	RPM	Cfm	RPM	Cfm	RPM	Cfm	RPM	Cfm	RPM	Cfm	RPM	Cfm	RPM	Cfm	RPM	Cfm	RPM									
0	794	45	388	970	76	454	1146	107	519	1281	149	575	1416	191	630	1522	110	678	1627	293	726	1715	351	768	1802	408	810
0.1	709	44	460	895	78	519	1080	111	577	1223	155	627	1366	199	677	1477	251	721	1588	303	764	1681	362	804	1773	420	843
0.2	630	46	531	855	82	583	1019	117	634	1169	163	679	1318	208	723	1435	262	763	1552	315	803	1648	375	841	1743	434	878
0.3	556	51	602	759	88	646	961	125	690	1117	172	730	1273	219	769	1395	274	805	1516	328	841	1615	388	877	1714	448	912
0.4	486	58	671	696	97	709	906	135	746	1068	184	781	1230	232	815	1356	288	848	1481	343	880	1582	403	914	1683	463	948
0.5	420	66	740	637	107	771	854	147	802	1021	196	831	1188	245	860	1317	301	890	1446	357	919	1549	418	951	1652	478	983
0.6	---	---	---	---	---	---	804	159	856	946	209	881	1147	259	905	1279	316	932	1410	372	958	1514	432	989	1618	492	1019
0.7	---	---	---	---	---	---	756	172	910	932	223	930	1107	273	949	1241	330	973	1374	386	996	1478	446	1026	1582	506	1055
0.8	---	---	---	---	---	---	709	185	962	888	236	978	1066	287	993	1201	344	1014	1336	400	1034	1440	460	1063	1544	519	1091
0.9	---	---	---	---	---	---	663	197	1013	844	249	1025	1025	300	1036	1161	357	1054	1296	413	1072	1399	472	1100	1502	530	1127
1.0	---	---	---	---	---	---	---	---	---	---	---	---	982	313	1078	1118	369	1094	1254	424	1109	1355	482	1136	1456	540	1163
1.1	---	---	---	---	---	---	---	---	---	---	---	---	938	323	1119	1073	379	1133	1208	434	1146	1307	491	1172	1406	548	1198
1.2	---	---	---	---	---	---	---	---	---	---	---	---	892	332	1158	1026	387	1170	1159	441	1182	1255	497	1208	1351	553	1233
1.3	---	---	---	---	---	---	---	---	---	---	---	---	843	340	1197	975	393	1207	1106	446	1216	1198	501	1242	1290	555	1268
1.4	---	---	---	---	---	---	---	---	---	---	---	---	790	344	1234	920	396	1242	1049	448	1250	1137	501	1276	1224	553	1302

BLOWER DATA
BLOWER TABLE INCLUDES RESISTANCE FOR BASE UNIT ONLY WITH DRY INDOOR COIL AND AIR FILTERS IN PLACE.

FOR ALL UNITS ADD:

1 - Any factory installed options air resistance (heat section, economizer, etc.).

2 - Any field installed accessories air resistance (duct resistance, diffuser, etc.).

See Page 31 for wet coil and options/accessory air resistance data. See Page 32 for minimum air volume with electric heat.

DOWNFLOW

External Static Press. in. w.g.	Percentage of Total Motor Torque																										
	20%			30%			40%			50%			60%			70%			80%			90%			100%		
	Cfm	Watts	RPM	Cfm	Watts	RPM	Cfm	Watts	RPM	Cfm	Watts	RPM	Cfm	Watts	RPM	Cfm	Watts	RPM	Cfm	Watts	RPM	Cfm	Watts	RPM	Cfm	Watts	RPM
0	1115	124	488	1344	200	572	1573	276	655	1747	377	724	1920	477	792	2041	581	844	2161	684	896	2304	852	964	2354	936	992
0.1	1012	101	536	1253	181	614	1493	261	691	1677	366	755	1860	471	819	1990	578	868	2119	685	916	2277	860	980	2339	951	1006
0.2	926	88	584	1177	172	656	1427	256	728	1619	365	788	1811	473	848	1949	583	894	2086	693	939	2256	873	999	2328	969	1024
0.3	854	86	634	1113	173	701	1372	260	767	1572	371	823	1772	482	878	1916	595	921	2059	707	963	2240	891	1019	2319	991	1043
0.4	794	91	684	1061	181	746	1328	270	807	1535	383	859	1741	496	910	1890	611	950	2038	725	989	2226	913	1042	2311	1014	1065
0.5	745	104	734	1019	195	791	1292	286	847	1504	401	895	1715	515	942	1868	631	979	2020	747	1016	2214	936	1066	2301	1039	1089
0.6	704	122	785	983	215	837	1262	307	888	1478	423	932	1693	538	976	1849	654	1011	2004	770	1045	2201	960	1092	2288	1063	1114
0.7	671	145	836	954	238	883	1237	331	929	1456	447	969	1674	562	1009	1831	678	1041	1988	794	1073	2185	983	1118	2270	1085	1140
0.8	643	171	886	929	264	928	1215	357	969	1435	472	1006	1655	587	1043	1813	703	1073	1970	818	1103	2164	1005	1145	2246	1104	1168
0.9	619	199	935	907	291	973	1194	383	1010	1415	498	1043	1635	612	1076	1792	726	1104	1948	840	1132	2138	1024	1173	2212	1119	1196
1.0	596	228	983	884	319	1016	1172	410	1049	1392	523	1079	1612	635	1109	1766	747	1135	1920	859	1161	2104	1038	1200	---	---	---
1.1	---	---	---	---	---	---	1148	434	1087	1366	545	1115	1583	655	1142	1734	765	1166	1885	874	1189	2060	1047	1227	---	---	---
1.2	---	---	---	---	---	---	1120	456	1124	1334	564	1149	1548	671	1173	1695	777	1195	1841	883	1217	2004	1050	1254	---	---	---
1.3	---	---	---	---	---	---	1085	474	1159	1295	578	1181	1505	681	1202	1646	784	1223	1786	886	1244	1935	1044	1280	---	---	---
1.4	---	---	---	---	---	---	1043	486	1192	1247	586	1211	1451	685	1230	1585	783	1250	1718	881	1269	1851	1029	1305	---	---	---

HORIZONTAL

External Static Press. in. w.g.	Percentage of Total Motor Torque																										
	20%			30%			40%			50%			60%			70%			80%			90%			100%		
	Cfm	Watts	RPM	Cfm	Watts	RPM	Cfm	Watts	RPM	Cfm	Watts	RPM	Cfm	Watts	RPM	Cfm	Watts	RPM	Cfm	Watts	RPM	Cfm	Watts	RPM	Cfm	Watts	RPM
0	1087	111	493	1304	184	579	1520	257	665	1689	368	738	1857	478	810	1972	588	864	2087	698	918	2196	844	975	2283	925	1000
0.1	1021	104	537	1246	180	618	1470	255	699	1646	368	768	1821	480	837	1941	592	888	2061	704	938	2179	852	992	2255	926	1017
0.2	961	102	582	1193	181	658	1425	259	734	1607	373	799	1789	487	864	1914	601	912	2039	714	960	2163	864	1012	2231	932	1034
0.3	906	106	628	1145	186	699	1384	266	769	1572	382	831	1759	498	892	1889	613	938	2018	728	984	2149	879	1033	2209	941	1053
0.4	855	113	674	1101	196	740	1347	278	806	1540	396	864	1732	513	921	1866	629	965	1999	744	1008	2134	896	1054	---	---	---
0.5	808	125	720	1060	209	781	1312	293	842	1509	412	896	1706	530	950	1843	646	992	1980	762	1033	2119	915	1077	---	---	---
0.6	764	139	766	1022	225	823	1279	310	879	1481	430	930	1682	549	980	1821	666	1019	1960	782	1058	2102	935	1101	---	---	---
0.7	722	155	812	985	242	864	1247	328	916	1452	449	964	1657	569	1011	1799	686	1048	1940	803	1084	2084	955	1125	---	---	---
0.8	682	172	858	949	260	906	1216	348	953	1424	469	997	1632	589	1041	1776	706	1076	1919	823	1111	2063	974	1150	---	---	---
0.9	643	191	903	914	279	946	1185	367	989	1396	489	1030	1606	610	1071	1751	727	1104	1895	843	1137	2039	992	1175	---	---	---
1.0	---	---	---	---	---	---	1153	386	1024	1366	508	1062	1579	629	1100	1724	745	1132	1869	861	1163	2011	1008	1201	---	---	---
1.1	---	---	---	---	---	---	1120	404	1059	1334	525	1095	1548	646	1130	1694	761	1160	1839	876	1189	1979	1021	1226	---	---	---
1.2	---	---	---	---	---	---	1085	420	1093	1300	541	1126	1515	661	1158	1660	775	1186	1805	889	1214	1941	1031	1250	---	---	---
1.3	---	---	---	---	---	---	1047	433	1126	1263	553	1156	1478	672	1186	1622	785	1213	1766	898	1239	1897	1037	1275	---	---	---
1.4	---	---	---	---	---	---	1005	442	1158	1221	561	1185	1436	680	1212	1579	792	1238	1721	903	1263	1847	1037	1298	---	---	---

BLOWER DATA
BLOWER TABLE INCLUDES RESISTANCE FOR BASE UNIT ONLY WITH DRY INDOOR COIL AND AIR FILTERS IN PLACE.

FOR ALL UNITS ADD:

- 1 - Any factory installed options air resistance (heat section, economizer, etc.).
- 2 - Any field installed accessories air resistance (duct resistance, diffuser, etc.).

See Page 31 for wet coil and options/accessory air resistance data. See Page 32 for minimum air volume with electric heat.

DOWNFLOW

External Static Press. in. w.g.	Percentage of Total Motor Torque																												
	20%		30%		40%		50%		60%		70%		80%		90%		100%												
	Cfm	RPM	Cfm	RPM	Cfm	RPM	Cfm	RPM	Cfm	RPM	Cfm	RPM	Cfm	RPM	Cfm	RPM	Cfm	RPM	Cfm	RPM									
0	1101	120	494	1328	196	578	1555	272	662	1728	374	731	1901	475	800	2023	580	852	2145	684	903	2292	854	970	2348	942	998		
0.1	1002	99	541	1241	180	620	1662	260	698	1662	366	763	1845	471	827	1976	579	876	2106	687	924	2268	865	987	2334	958	1013		
0.2	918	88	589	1167	173	663	1416	257	736	1608	366	796	1800	475	856	1938	586	902	2076	697	947	2249	880	1006	2324	978	1031		
0.3	848	86	638	1106	174	706	1364	261	774	1564	373	830	1763	485	886	1907	599	929	2051	712	972	2234	899	1028	2316	1000	1052		
0.4	790	92	688	1056	183	751	1321	273	814	1527	387	866	1733	501	918	1882	617	958	2031	732	998	2221	921	1051	2307	1024	1074		
0.5	742	105	738	1015	197	796	1287	289	854	1498	405	902	1709	520	950	1862	637	988	2014	754	1025	2208	944	1076	2296	1048	1099		
0.6	703	124	788	981	217	841	1258	310	894	1473	427	939	1688	543	984	1843	660	1019	1998	777	1053	2194	968	1101	2281	1071	1124		
0.7	670	146	838	952	240	887	1233	334	935	1451	451	976	1669	568	1017	1826	685	1050	1982	801	1082	2177	991	1128	2260	1092	1151		
0.8	642	172	888	927	266	932	1211	360	975	1431	477	1013	1650	593	1051	1807	709	1081	1963	825	1111	2155	1012	1155	2233	1109	1178		
0.9	618	200	937	904	294	976	1190	387	1015	1410	502	1050	1629	617	1084	1785	732	1112	1940	846	1140	2127	1029	1182	---	---	---		
1.0	595	229	985	882	321	1020	1168	413	1054	1387	526	1086	1605	639	1117	1758	752	1143	1911	864	1169	2090	1042	1209	---	---	---		
1.1	---	---	---	---	---	---	---	---	1144	437	1092	1360	548	1120	1576	659	1148	125	1173	1874	878	1197	2043	1049	1236	---	---	---	
1.2	---	---	---	---	---	---	---	---	1115	458	1129	1328	566	1154	1540	674	1179	1685	780	1202	1829	886	1225	1985	1049	1262	---	---	---
1.3	---	---	---	---	---	---	---	---	1080	475	1163	1288	579	1186	1496	683	1208	1634	785	1230	1772	887	1251	1913	1042	1288	---	---	---
1.4	---	---	---	---	---	---	---	---	1037	487	1196	1239	587	1216	1441	686	1236	1572	783	1256	1703	880	1275	1826	1024	1312	---	---	---

HORIZONTAL

External Static Press. in. w.g.	Percentage of Total Motor Torque																												
	20%		30%		40%		50%		60%		70%		80%		90%		100%												
	Cfm	RPM	Cfm	RPM	Cfm	RPM	Cfm	RPM	Cfm	RPM	Cfm	RPM	Cfm	RPM	Cfm	RPM	Cfm	RPM	Cfm	RPM	Cfm	RPM	Cfm	RPM	Cfm	RPM	Cfm	RPM	
0	1077	113	502	1282	175	585	1486	237	668	1670	363	746	1854	489	823	1993	623	884	2131	757	944	2216	882	995	2268	926	1009		
0.1	1016	109	546	1227	172	624	1437	234	701	1626	361	775	1814	488	848	1956	623	906	2098	757	964	2194	887	1011	2242	928	1026		
0.2	962	111	591	1177	174	663	1392	236	735	1585	364	805	1777	492	874	1923	627	930	2069	762	985	2175	895	1029	2218	935	1044		
0.3	913	118	636	1133	181	703	1352	244	770	1548	372	836	1744	500	902	1893	636	955	2042	772	1007	2157	907	1048	2196	945	1063		
0.4	868	130	682	1092	193	744	1315	256	806	1515	384	868	1714	512	930	1866	648	980	2018	784	1030	2139	922	1069	---	---	---		
0.5	827	146	728	1054	209	785	1281	271	842	1484	399	901	1687	526	959	1841	663	1007	1995	799	1054	2121	938	1090	---	---	---		
0.6	789	165	775	1019	227	827	1249	288	879	1455	416	934	1660	543	988	1816	679	1034	1972	815	1079	2102	955	1113	---	---	---		
0.7	752	185	821	986	247	869	1219	308	916	1427	435	967	1634	562	1018	1792	698	1061	1949	833	1104	2081	972	1136	---	---	---		
0.8	718	208	867	954	268	910	1189	328	953	1399	455	1000	1608	581	1047	1767	716	1088	1925	851	1129	2058	989	1160	---	---	---		
0.9	684	231	913	922	290	951	1160	349	989	1371	475	1033	1581	600	1077	1741	734	1116	1900	868	1154	2031	1004	1185	---	---	---		
1.0	---	---	---	---	---	---	---	---	1129	369	1025	1341	494	1066	1553	618	1106	1713	751	1143	1872	884	1179	2001	1017	1209	---	---	---
1.1	---	---	---	---	---	---	---	---	1097	388	1060	1310	511	1098	1522	634	1135	1682	766	1170	1841	898	1204	1966	1028	1233	---	---	---
1.2	---	---	---	---	---	---	---	---	1063	405	1095	1276	527	1129	1488	648	1163	1647	779	1196	1806	909	1228	1925	1034	1257	---	---	---
1.3	---	---	---	---	---	---	---	---	1026	420	1128	1239	540	1159	1451	659	1190	1609	788	1221	1767	917	1252	1879	1036	1281	---	---	---
1.4	---	---	---	---	---	---	---	---	985	431	1160	1197	548	1188	1409	665	1216	1566	793	1245	1723	920	1274	1825	1033	1304	---	---	---

1.5 HP | 3 ROW (036, 048)

BLOWER DATA
BLOWER TABLE INCLUDES RESISTANCE FOR BASE UNIT ONLY WITH DRY INDOOR COIL AND AIR FILTERS IN PLACE.

FOR ALL UNITS ADD:

- 1 - Any factory installed options air resistance (heat section, economizer, etc.).
- 2 - Any field installed accessories air resistance (duct resistance, diffuser, etc.).

See Page 31 for wet coil and options/accessory air resistance data. See Page 32 for minimum air volume with electric heat.

DOWNFLOW

Total Air cfm	Total Static Pressure - in. w.g.																									
	0.1		0.2		0.3		0.4		0.5		0.6		0.7		0.8		0.9		1.0		1.1		1.2		1.3	
	RPM	Watts	RPM	Watts	RPM	Watts	RPM	Watts	RPM	Watts	RPM	Watts	RPM	Watts	RPM	Watts	RPM	Watts	RPM	Watts	RPM	Watts	RPM	Watts	RPM	Watts
400	718	19	803	41	878	60	1080	92	1149	127	1226	129	1307	126	1386	124	1574	197	1630	220	1681	250	1731	279	1779	307
600	845	50	929	72	1008	92	1080	111	1149	127	1226	129	1307	126	1386	124	1574	197	1630	220	1681	250	1731	279	1779	307
800	971	79	1057	101	1138	123	1214	143	1286	160	1362	168	1439	173	1510	181	1642	239	1747	293	1796	324	1844	353	1890	379
1000	1136	113	1215	135	1293	157	1367	177	1438	196	1510	209	1579	222	1642	239	1747	293	1747	353	1844	353	1844	353	1890	379
1200	1335	151	1406	172	1476	193	1544	213	1611	232	1675	250	1735	272	1788	299	1834	332	1878	368	1923	400	1970	428	2015	454
1400	1560	177	1617	204	1675	231	1732	257	1788	283	1841	310	1891	339	1936	371	1978	405	2019	439	2063	469	2108	496	2152	522
1600	1742	245	1792	278	1842	311	1892	344	1940	376	1988	406	2035	434	2080	461	2125	486	2169	513	2213	541	2256	570	2297	601
1800	1922	330	1970	363	2017	395	2064	426	2110	457	2155	485	2200	512	2244	539	2287	568	2328	600	2369	634	2408	671	2447	708
2000	2112	405	2158	438	2202	471	2246	503	2289	536	2331	568	2373	602	2413	640	2452	681	2490	723	2527	766	2564	809	2599	851
2200	2305	493	2347	531	2389	569	2429	608	2469	648	2508	691	2546	737	2582	784	2619	832	2654	878	2690	923	2724	965	2758	1007
2400	2499	617	2539	660	2578	704	2615	748	2652	794	2688	841	2722	890	2757	939	2791	986	2825	1031	2858	1075	2891	1117	2923	1158
2600	2697	773	2733	818	2769	864	2803	911	2837	957	2871	1005	2903	1052	2936	1099	2968	1143	3000	1186	3031	1228	3062	1270	3092	1311
2800	2896	944	2929	990	2962	1036	2993	1082	3025	1128	3056	1173	3087	1216	3118	1259	3147	1300	3177	1341	3206	1382	3236	1423	3264	1463
3000	3093	1115	3124	1160	3154	1205	3184	1249	3214	1293	3243	1335	3272	1376	3300	1416	3327	1456	3355	1495	3383	1536	3410	1576	3437	1615

Total Air cfm	Total Static Pressure - in. w.g.													
	1.4		1.5		1.6		1.7		1.8		1.9		2.0	
	RPM	Watts	RPM	Watts	RPM	Watts	RPM	Watts	RPM	Watts	RPM	Watts	RPM	Watts
800	1826	333	---	---	---	---	---	---	---	---	---	---	---	
1000	1935	403	1979	424	2021	444	2064	464	2106	485	2149	509	2191	533
1200	2058	476	2100	498	2142	518	2184	541	2226	565	2267	592	2308	619
1400	2194	548	2235	574	2275	601	2316	629	2356	658	2395	689	2433	720
1600	2337	632	2377	665	2415	698	2453	733	2490	768	2527	803	2563	839
1800	2484	746	2521	785	2557	824	2592	863	2627	902	2661	942	2695	981
2000	2634	894	2668	935	2701	977	2735	1018	2768	1058	2802	1099	2834	1139
2200	2790	1049	2823	1090	2855	1130	2887	1170	2919	1210	2952	1250	2984	1289
2400	2954	1200	2986	1240	3017	1280	3048	1320	3080	1360	3111	1399	3142	1437
2600	3123	1351	3153	1391	3184	1431	3215	1470	3245	1509	3276	1548	3306	1586
2800	3294	1502	3323	1542	3352	1580	3382	1619	3412	1658	3442	1696	3472	1734
3000	3464	1653	3492	1691	3520	1729	3549	1767	3578	1805	3608	1844	3638	1882

BLOWER DATA
BLOWER TABLE INCLUDES RESISTANCE FOR BASE UNIT ONLY WITH DRY INDOOR COIL AND AIR FILTERS IN PLACE.

FOR ALL UNITS ADD:

- 1 - Any factory installed options air resistance (heat section, economizer, etc.).
- 2 - Any field installed accessories air resistance (duct resistance, diffuser, etc.).

See Page 31 for wet coil and options/accessory air resistance data. See Page 32 for minimum air volume with electric heat.

HORIZONTAL

Total Air cfm	Total Static Pressure - in. w.g.																									
	0.1		0.2		0.3		0.4		0.5		0.6		0.7		0.8		0.9		1.0		1.1		1.2		1.3	
	RPM	Watts	RPM	Watts	RPM	Watts	RPM	Watts	RPM	Watts	RPM	Watts	RPM	Watts	RPM	Watts	RPM	Watts	RPM	Watts	RPM	Watts	RPM	Watts	RPM	Watts
400	708	16	793	37	872	53	---	---	---	---	---	---	---	---	---	---	---	---	---	---	---	---	---	---	---	---
600	835	46	918	65	1000	82	1077	95	1149	107	1221	109	---	---	---	---	---	---	---	---	---	---	---	---	---	---
800	981	75	1064	92	1144	109	1221	124	1294	139	1365	148	1434	154	1497	163	1555	179	1656	200	1656	226	1704	254	---	---
1000	1166	105	1241	124	1315	141	1387	159	1454	176	1520	191	1582	207	1638	227	1689	252	1783	279	1783	308	1829	335	1873	362
1200	1374	142	1440	162	1506	182	1569	203	1630	224	1687	246	1739	271	1787	299	1832	330	1920	361	1920	391	1964	419	2007	444
1400	1591	183	1647	209	1701	235	1755	263	1806	291	1854	320	1899	351	1942	382	1984	412	2068	442	2068	469	2110	496	2153	520
1600	1778	258	1827	290	1876	323	1923	355	1970	386	2015	416	2059	444	2102	470	2144	494	2227	519	2227	545	2268	572	2309	600
1800	1973	352	2018	383	2063	415	2107	445	2151	476	2194	504	2237	531	2279	557	2319	584	2397	613	2397	645	2435	679	2471	713
2000	2182	437	2224	468	2265	499	2306	531	2346	563	2385	596	2424	630	2461	666	2496	705	2564	745	2564	786	2598	826	2631	866
2200	2388	540	2426	576	2464	613	2500	651	2536	691	2571	731	2605	774	2637	819	2668	863	2732	907	2732	949	2764	990	2795	1029
2400	2589	679	2624	719	2658	761	2691	803	2724	846	2756	890	2786	935	2816	980	2846	1025	2907	1068	2907	1109	2937	1149	2967	1188
2600	2787	845	2819	887	2850	930	2881	973	2911	1017	2941	1060	2970	1104	2999	1147	3028	1189	3087	1230	3087	1270	---	---	---	---
2800	2983	1021	3013	1063	3042	1106	3070	1149	3099	1191	---	---	---	---	---	---	---	---	---	---	---	---	---	---	---	---

Total Static Pressure - in. w.g.

Total Air cfm	Total Static Pressure - in. w.g.													
	1.4		1.5		1.6		1.7		1.8		1.9		2.0	
	RPM	Watts	RPM	Watts	RPM	Watts	RPM	Watts	RPM	Watts	RPM	Watts	RPM	Watts
800	---	---	---	---	---	---	---	---	---	---	---	---	---	---
1000	1916	386	1957	408	1998	428	2037	447	2077	465	---	---	---	---
1200	2049	468	2089	490	2128	510	2168	529	2207	549	2246	569	2285	591
1400	2194	543	2235	565	2274	588	2313	611	2350	637	2387	664	2423	694
1600	2349	627	2387	657	2423	688	2457	722	2490	757	2522	793	2554	830
1800	2506	749	2539	787	2571	825	2602	864	2632	903	2662	942	2692	981
2000	2663	906	2694	945	2725	985	2755	1024	2785	1063	2815	1101	2845	1138
2200	2826	1068	2857	1107	2887	1146	2916	1184	2946	1221	2975	1259	3005	1296
2400	2997	1227	3027	1266	3056	1304	3085	1342	---	---	---	---	---	---
2600	---	---	---	---	---	---	---	---	---	---	---	---	---	---
2800	---	---	---	---	---	---	---	---	---	---	---	---	---	---

BLOWER DATA 1.5 HP | 4 ROW (060 | 072)

BLOWER TABLE INCLUDES RESISTANCE FOR BASE UNIT ONLY WITH DRY INDOOR COIL AND AIR FILTERS IN PLACE.

FOR ALL UNITS ADD:

- 1 - Any factory installed options air resistance (heat section, economizer, etc.).
- 2 - Any field installed accessories air resistance (duct resistance, diffuser, etc.).

See Page 31 for wet coil and options/accessory air resistance data. See Page 32 for minimum air volume with electric heat.

DOWNFLOW

Total Air cfm	Total Static Pressure - in. w.g.																												
	0.1		0.2		0.3		0.4		0.5		0.6		0.7		0.8		0.9		1.0		1.1		1.2		1.3				
	RPM	Watts	RPM	Watts	RPM	Watts	RPM	Watts	RPM	Watts	RPM	Watts	RPM	Watts	RPM	Watts	RPM	Watts	RPM	Watts	RPM	Watts	RPM	Watts	RPM	Watts	RPM	Watts	
400	720	20	805	41	880	60	1083	112	1152	128	1229	130	1310	126	1389	125	1514	183	1578	198	1634	222	1684	252	1734	281	1783	309	
600	849	51	933	73	1011	93	1083	112	1152	128	1229	130	1310	126	1389	125	1514	183	1578	198	1634	222	1684	252	1734	281	1783	309	
800	978	81	1064	103	1145	124	1220	144	1291	162	1367	170	1443	175	1514	183	1578	198	1634	222	1684	252	1734	281	1783	309	332	1849	356
1000	1147	116	1225	138	1302	159	1376	179	1446	198	1517	211	1586	224	1648	242	1703	266	1753	296	1801	327	1849	356	1896	382	408	1976	433
1200	1347	154	1418	175	1487	196	1555	216	1620	235	1684	253	1743	275	1795	302	1841	336	1884	373	1930	405	1976	433	2021	458	481	1930	405
1400	1571	182	1629	209	1686	236	1742	262	1798	288	1850	315	1899	346	1943	380	1984	417	2025	453	2068	485	2113	512	2156	537	561	2113	512
1600	1753	252	1803	286	1853	318	1902	351	1951	383	1998	415	2043	447	2087	478	2130	508	2173	539	2216	568	2259	595	2302	621	645	2259	595
1800	1935	339	1983	371	2030	403	2076	434	2122	465	2167	495	2210	524	2253	554	2295	586	2337	618	2378	650	2418	682	2458	714	738	2418	682
2000	2127	415	2172	448	2217	481	2260	513	2303	546	2345	579	2385	614	2425	653	2464	693	2503	734	2541	774	2578	814	2614	855	879	2578	814
2200	2321	507	2363	545	2404	583	2444	623	2484	664	2522	707	2560	753	2596	801	2632	848	2667	895	2703	939	2737	981	2770	1023	1047	2737	981
2400	2516	635	2556	679	2594	723	2631	767	2668	813	2703	861	2737	909	2772	958	2805	1005	2839	1050	2872	1093	2905	1135	2936	1176	1200	2905	1135
2600	2715	796	2751	841	2786	887	2820	933	2854	980	2887	1027	2919	1074	2952	1120	2983	1164	3015	1207	3046	1249	3077	1290	3107	1330	1354	3077	1290
2800	2915	970	2947	1016	2979	1062	3011	1107	3042	1152	3073	1197	3104	1240	3134	1282	3164	1323	3193	1364	3222	1404	3251	1445	3280	1485	1509	3251	1445
3000	3112	1142	3142	1187	3172	1232	3202	1276	3232	1319	3261	1361	3289	1401	3317	1441	3344	1480	3371	1520	3399	1560	3426	1600	3453	1638	1662	3426	1600

Total Air cfm	Total Static Pressure - in. w.g.													
	1.4		1.5		1.6		1.7		1.8		1.9		2.0	
	RPM	Watts	RPM	Watts	RPM	Watts	RPM	Watts	RPM	Watts	RPM	Watts	RPM	Watts
800	1830	335	1940	405	2026	446	2068	466	2111	488	2154	512	2196	536
1000	2064	480	2106	501	2148	522	2190	544	2232	569	2273	595	2314	623
1200	2199	560	2241	584	2282	608	2323	634	2363	664	2402	694	2440	726
1400	2344	647	2384	675	2424	706	2462	740	2498	776	2535	811	2571	848
1600	2497	749	2533	788	2568	829	2602	872	2636	914	2671	953	2705	992
1800	2648	898	2681	941	2714	986	2746	1030	2779	1072	2812	1112	2845	1152
2000	2803	1064	2835	1105	2867	1145	2899	1186	2931	1225	2964	1265	2995	1303
2200	2968	1217	2999	1258	3031	1298	3062	1337	3093	1377	3124	1415	3156	1454
2400	3138	1371	3168	1411	3199	1450	3229	1489	3260	1528	3290	1566	3321	1604
2600	3309	1524	3338	1563	3368	1602	3398	1640	3428	1678	3458	1717	3488	1755
2800	3481	1677	3508	1715	3537	1752	3566	1790	3595	1828	3625	1866	3655	1904

BLOWER TABLE INCLUDES RESISTANCE FOR BASE UNIT ONLY WITH DRY INDOOR COIL AND AIR FILTERS IN PLACE.

FOR ALL UNITS ADD:

- 1 - Any factory installed options air resistance (heat section, economizer, etc.).
- 2 - Any field installed accessories air resistance (duct resistance, diffuser, etc.).

See Page 31 for wet coil and options/accessory air resistance data. See Page 32 for minimum air volume with electric heat.

HORIZONTAL

Total Air cfm	Total Static Pressure - in. w.g.																										
	0.1		0.2		0.3		0.4		0.5		0.6		0.7		0.8		0.9		1.0		1.1		1.2		1.3		
	RPM	Watts	RPM	Watts	RPM	Watts	RPM	Watts	RPM	Watts	RPM	Watts	RPM	Watts	RPM	Watts	RPM	Watts	RPM	Watts	RPM	Watts	RPM	Watts	RPM	Watts	
400	711	16	796	38	66	1006	83	1083	96	1154	107	1226	109	1241	111	1183	113	1206	115	1179	117	1152	119	1125	121	1100	
600	840	47	924	66	1072	111	1230	126	1301	140	1372	148	1441	155	1503	165	1560	181	1612	203	1661	229	1710	255	1759	281	1808
800	990	76	1072	94	1153	111	1230	126	1301	140	1372	148	1441	155	1503	165	1560	181	1612	203	1661	229	1710	255	1759	281	1808
1000	1179	108	1253	126	1326	144	1397	161	1464	178	1530	194	1590	210	1646	231	1696	255	1744	283	1790	312	1836	340	1880	365	1924
1200	1388	146	1454	166	1519	186	1582	207	1641	228	1697	251	1749	276	1797	305	1842	336	1885	367	1929	397	1973	424	2016	450	2060
1400	1606	189	1661	216	1715	242	1768	270	1818	298	1866	328	1911	358	1953	390	1995	420	2037	449	2079	476	2121	503	2163	527	2205
1600	1794	268	1842	301	1890	333	1938	364	1984	396	2029	426	2073	453	2115	479	2157	503	2199	528	2240	553	2281	581	2321	609	2361
1800	1991	364	2035	395	2079	426	2123	456	2167	486	2210	515	2252	541	2294	568	2334	596	2374	625	2412	657	2448	692	2484	727	2520
2000	2202	451	2242	482	2283	513	2323	545	2363	577	2402	611	2440	646	2477	683	2512	722	2546	763	2579	804	2613	844	2645	884	2680
2200	2408	559	2446	596	2483	633	2520	672	2555	712	2590	753	2623	796	2655	841	2686	885	2717	928	2748	970	2780	1010	2812	1050	2845
2400	2609	703	2644	744	2678	786	2711	829	2744	872	2776	916	2806	961	2835	1006	2865	1050	2895	1092	2925	1133	2955	1172	2985	1212	3015
2600	2808	874	2840	916	2871	959	2902	1003	2932	1046	2961	1090	2990	1133	3019	1176	3048	1217	3077	1257	3106	1297	3135	1336	3164	1374	3198
2800	3006	1054	3035	1096	3064	1139	3092	1181	3121	1223	3149	1265	3177	1305	3205	1344	3234	1383	3262	1421	3290	1460	3317	1498	3345	1536	3369
3000	3202	1228	3229	1270	3257	1312	3284	1353	3312	1394	3339	1433	3366	1472	3393	1509	3419	1547	3446	1584	3472	1622	3499	1660	3525	1698	3552

Total Static Pressure - in. w.g.

Total Air cfm	1.4						1.5						1.6						1.7						1.8						1.9						2.0					
	RPM		Watts		RPM		Watts		RPM		Watts		RPM		Watts		RPM		Watts		RPM		Watts		RPM		Watts		RPM		Watts		RPM		Watts							
	800	---	---	---	---	---	---	---	---	---	---	---	---	---	---	---	---	---	---	---	---	---	---	---	---	---	---	---	---	---	---	---	---	---	---							
1000	1923	389	1964	411	2004	431	2043	450	2083	468	2122	487	2161	505	2200	523	2239	541	2278	559	2317	577	2356	595	2395	613	2434	631	2473	649	2512	667	2551	685	2590							
1200	2057	473	2097	494	2136	514	2176	534	2215	553	2254	574	2293	596	2332	618	2371	644	2410	672	2449	702	2488	732	2527	762	2566	792	2605	822	2644	852	2683	882	2722							
1400	2205	549	2245	571	2284	594	2322	618	2360	644	2396	672	2432	702	2468	733	2501	768	2532	805	2563	842	2594	880	2625	918	2656	955	2687	992	2718	1029	2749	1066	2780							
1600	2360	637	2398	667	2434	699	2468	733	2501	768	2532	805	2563	842	2594	880	2625	918	2656	955	2687	992	2718	1029	2749	1066	2780	1103	2811	1140	2842	1177	2873	1214	2904							
1800	2519	763	2552	801	2583	840	2614	879	2644	918	2674	957	2704	995	2735	1034	2765	1073	2795	1112	2826	1151	2857	1190	2888	1229	2919	1268	2950	1307	2981	1346	3012	1385	3043							
2000	2677	924	2708	963	2739	1003	2769	1041	2799	1080	2829	1118	2859	1155	2889	1197	2919	1235	2949	1274	2979	1313	3009	1352	3039	1391	3069	1430	3099	1469	3129	1508	3159	1547	3189							
2200	2842	1089	2873	1127	2902	1166	2932	1203	2962	1241	2991	1278	3021	1315	3050	1349	3080	1388	3110	1427	3140	1466	3170	1505	3200	1544	3230	1583	3260	1622	3290	1661	3320	1700	3350							
2400	3015	1250	3044	1289	3074	1327	3103	1364	3132	1402	3162	1439	3192	1476	3221	3250	3280	3310	3340	3370	3400	3430	3460	3490	3520	3550	3580	3610	3640	3670	3700	3730	3760	3790	3820							
2600	3192	1412	3221	1450	3250	1488	3279	1525	3308	1562	3337	1599	3367	1635	3396	3425	3454	3483	3512	3541	3570	3600	3629	3658	3687	3716	3745	3774	3803	3832	3861	3890	3919	3948	3977							
2800	3372	1574	3400	1611	3428	1648	3456	1685	3485	1721	3514	1758	3543	1794	3572	3601	3630	3659	3688	3717	3746	3775	3804	3833	3862	3891	3920	3949	3978	4007	4036	4065	4094	4123	4152							
3000	3552	1735	3578	1772	3605	1808	3633	1844	3660	1880	3689	1916	3717	1952	3745	3774	3803	3832	3861	3890	3919	3948	3977	4006	4035	4064	4093	4122	4151	4180	4209	4238	4267	4296	4325							

BLOWER DATA

FACTORY INSTALLED OPTIONS/FIELD INSTALLED ACCESSORY AIR RESISTANCE - in. w.g.

Air Volume cfm	Wet Indoor Coil		Electric Heat	Economizer	Filters		
	036, 048	060, 072			MERV 8	MERV 13	MERV 16
800	0.01	---	0.01	0.04	0.04	0.05	0.04
1000	0.02	0.02	0.03	0.04	0.04	0.07	0.05
1200	0.03	0.04	0.06	0.04	0.04	0.07	0.05
1400	0.04	0.05	0.09	0.04	0.04	0.07	0.06
1600	0.05	0.07	0.12	0.04	0.04	0.07	0.08
1800	0.06	0.08	0.15	0.05	0.04	0.07	0.09
2000	0.08	0.10	0.18	0.05	0.05	0.08	0.10
2200	---	0.11	0.18	0.05	0.05	0.08	0.11
2400	---	0.13	0.20	0.05	0.05	0.08	0.12

MINIMUM AIR VOLUME REQUIRED FOR ELECTRIC HEAT

Size	kW Size	Minimum CFM	
		Direct Drive ECM	DirectPlus™ Direct Drive ECM
036-072	7.5	600	1200
	15	1100	1350
	22.5	1600	1800
072	30	N/A	2000

POWER EXHAUST FAN PERFORMANCE

Return Air System Static Pressure in. w.g.	Air Volume Exhausted cfm
0.00	2000
0.05	1990
0.10	1924
0.15	1810
0.20	1664
0.25	1507
0.30	1350
0.35	1210

CEILING DIFFUSERS AIR RESISTANCE (in. w.g.)

Air Volume - cfm	RTD11-95S Step-Down Diffuser			FD11-95S Flush Diffuser
	2 Ends Open	1 Side & 2 Ends Open	All Ends & Sides Open	
1800	0.13	0.11	0.09	0.09
2000	0.15	0.13	0.11	0.10
2200	0.18	0.15	0.12	0.12
2400	0.21	0.18	0.15	0.14
2600	0.24	0.21	0.18	0.17
2800	0.27	0.24	0.21	0.20
3000	0.32	0.29	0.25	0.25

CEILING DIFFUSER AIR THROW DATA

Air Volume - cfm	¹ Effective Throw - ft.	
	RTD11-95S	FD11-95S
2600	24 - 29	19 - 24
2800	25 - 30	20 - 28
3000	27 - 33	21 - 29

¹ Effective throw based on terminal velocities of 75 ft. per minute.

ELECTRICAL/ELECTRIC HEAT DATA
3 TON

Model		LHT036H5									
¹ Voltage - 60Hz		208/230V - 1 Ph		208/230V - 3 Ph		460V - 3 Ph		575V - 3 Ph			
Compressor (Non-Inverter)	Rated Load Amps	14.6		9.9		4.8		3.5			
	Locked Rotor Amps	90		82		44.3		28.7			
Outdoor Fan Motor	Full Load Amps (1 ECM)	2.8		2.8		1.4		1.1			
Power Exhaust (1) 0.33 HP	Full Load Amps	2.4		2.4		1.3		1			
Service Outlet 115V GFI (amps)		15		15		15		20			
Indoor Blower Motor	HP	0.5		0.5		1.5		0.5		1.5	
	Full Load Amps	4.3		4.3		4.4		2.2		2.3	
² Maximum Overcurrent Protection (MOCP)	Unit Only	35		25		25		15		15	
	With (1) 0.33 HP Power Exhaust	40		30		30		15		15	
³ Minimum Circuit Ampacity MCA)	Unit Only	26		20		20		10		8	
	With (1) 0.33 HP Power Exhaust	28		22		22		11		9	

ELECTRIC HEAT DATA

Electric Heat Voltage			208V	240V	208V	240V	208V	240V	480V	600V		
² Maximum Overcurrent Protection (MOCP)	Unit+ Electric Heat	7.5 kW	⁴ 60	70	45	45	45	45	25	25	20	20
		15 kW	⁴ 100	110	⁴ 60	70	⁴ 60	70	35	35	30	30
³ Minimum Circuit Ampacity MCA)	Unit+ Electric Heat	7.5 kW	60	65	40	43	40	43	21	21	17	17
		15 kW	94	104	59	65	59	65	33	33	26	26
² Maximum Overcurrent Protection (MOCP)	Unit+ Electric Heat and (1) 0.33 HP Power Exhaust	7.5 kW	70	70	45	45	45	45	25	25	20	20
		15 kW	⁴ 100	110	70	70	70	70	35	35	30	30
³ Minimum Circuit Ampacity MCA)	Unit+ Electric Heat and (1) 0.33 HP Power Exhaust	7.5 kW	62	67	42	45	42	45	23	23	18	18
		15 kW	96	106	61	67	62	68	34	34	27	27

ELECTRICAL ACCESSORIES

Disconnects	7.5 kW	22A23	22A23	22A23	22A23	22A23	22A23	22A23	22A23	22A23	22A23
	15 kW	22A24	22A24	22A23	22A23	22A23	22A23	22A23	22A23	22A23	22A23

Disconnects - **22A23** - 80A
22A24 - 150A

NOTE - All units have a minimum Short Circuit Current Rating (SCCR) of 5000 amps.

¹ Extremes of operating range are plus and minus 10% of line voltage.

² HACR type breaker or fuse.

³ Refer to National or Canadian Electrical Code manual to determine wire, fuse and disconnect size requirements.

⁴ Factory installed circuit breaker not available.

ELECTRICAL/ELECTRIC HEAT DATA
4 TON

Model		LHT048H5									
¹ Voltage - 60Hz		208/230V - 1 Ph		208/230V - 3 Ph		460V - 3 Ph		575V - 3 Ph			
Compressor	Rated Load Amps	18.3		11.9		6.8		4.8			
	Locked Rotor Amps	138		112		61.8		39			
Outdoor Fan Motor	Full Load Amps (1 ECM)	2.8		2.8		1.4		1.1			
Power Exhaust (1) 0.33 HP	Full Load Amps	2.4		2.4		1.3		1			
Service Outlet 115V GFI (amps)		15		15		15		20			
Indoor Blower Motor	HP	1		1		1.5		1		1.5	
	Full Load Amps	7.4		7.4		4.4		3.7		2.3	
² Maximum Overcurrent Protection (MOCP)	Unit Only	50		35		30		20		15	
	With (1) 0.33 HP Power Exhaust	50		35		35		20		20	
³ Minimum Circuit Ampacity MCA)	Unit Only	34		26		23		14		13	
	With (1) 0.33 HP Power Exhaust	36		28		25		15		14	

ELECTRIC HEAT DATA

Electric Heat Voltage			208V	240V	208V	240V	208V	240V	480V	600V		
² Maximum Overcurrent Protection (MOCP)	Unit+ Electric Heat	7.5 kW	⁴ 70	80	50	50	⁴ 45	50	25	25	20	20
		15 kW	⁴ 110	125	⁴ 70	80	70	70	40	35	30	30
³ Minimum Circuit Ampacity MCA)	Unit+ Electric Heat	7.5 kW	67	73	45	48	42	45	25	24	20	19
		15 kW	101	112	65	71	62	68	37	35	29	28
² Maximum Overcurrent Protection (MOCP)	Unit+ Electric Heat and (1) 0.33 HP Power Exhaust	7.5 kW	80	80	⁴ 50	60	50	50	30	25	25	20
		15 kW	⁴ 110	125	⁴ 70	80	70	70	40	40	30	30
³ Minimum Circuit Ampacity MCA)	Unit+ Electric Heat and (1) 0.33 HP Power Exhaust	7.5 kW	70	75	48	51	45	48	27	25	21	20
		15 kW	104	114	67	73	64	70	38	37	30	29

ELECTRIC HEAT DATA

Disconnects	7.5 kW	22A23	22A23	22A23	22A23	22A23	22A23	22A23	22A23	22A23	22A23
	15 kW	22A24	22A24	22A23	22A23	22A23	22A23	22A23	22A23	22A23	22A23

Disconnects - 22A23 - 80A
22A24 - 150A

NOTE - All units have a minimum Short Circuit Current Rating (SCCR) of 5000 amps.

¹ Extremes of operating range are plus and minus 10% of line voltage.

² HACR type breaker or fuse.

³ Refer to National or Canadian Electrical Code manual to determine wire, fuse and disconnect size requirements.

⁴ Factory installed circuit breaker not available.

ELECTRICAL/ELECTRIC HEAT DATA
5 TON

Model		LHT060H5							
¹ Voltage - 60Hz		208/230V - 1 Ph	208/230V - 3 Ph			460V - 3 Ph		575V - 3 Ph	
Compressor	Rated Load Amps	25.2	13.8			6.9		5.8	
	Locked Rotor Amps	147.3	150			58		47.8	
Outdoor Fan Motor	Full Load Amps (1 ECM)	2.8	2.8			1.4		1.1	
Power Exhaust (1) 0.33 HP	Full Load Amps	2.4	2.4			1.3		1	
Service Outlet 115V GFI (amps)		15	15			15		20	
Indoor Blower Motor	HP	1	1	1.5	1	1.5	1	1.5	
	Full Load Amps	7.4	7.4	4.4	3.7	2.3	3	2.3	
² Maximum Overcurrent Protection (MOCP)	Unit Only	60	40	35	20	15	15	15	
	With (1) 0.33 HP Power Exhaust	60	40	40	20	20	15	15	
³ Minimum Circuit Ampacity (MCA)	Unit Only	42	28	25	14	13	12	11	
	With (1) 0.33 HP Power Exhaust	45	30	27	16	14	13	12	

ELECTRIC HEAT DATA

Electric Heat Voltage			208V	240V	208V	240V	208V	240V	480V		600V	
² Maximum Overcurrent Protection (MOCP)	Unit+ Electric Heat	7.5 kW	90	90	⁴ 50	60	50	50	30	25	25	20
		15 kW	⁴ 110	125	⁴ 70	80	70	70	40	35	30	30
		22.5 kW	⁴ 150	175	⁴ 90	100	⁴ 90	100	50	50	40	40
³ Minimum Circuit Ampacity (MCA)	Unit+ Electric Heat	7.5 kW	76	81	47	51	44	48	26	24	21	20
		15 kW	110	120	67	73	64	70	37	35	30	29
		22.5 kW	144	159	87	96	84	93	48	47	39	38
² Maximum Overcurrent Protection (MOCP)	Unit+ Electric Heat and (1) 0.33 HP Power Exhaust	7.5 kW	⁴ 90	100	⁴ 50	60	50	50	30	25	25	25
		15 kW	125	125	⁴ 70	80	⁴ 70	80	40	40	35	30
		22.5 kW	⁴ 150	175	⁴ 90	100	⁴ 90	100	50	50	40	40
³ Minimum Circuit Ampacity (MCA)	Unit+ Electric Heat and (1) 0.33 HP Power Exhaust	7.5 kW	78	84	50	53	47	50	27	25	22	21
		15 kW	112	123	69	75	66	72	38	37	31	30
		22.5 kW	146	162	89	98	86	95	49	48	40	39

ELECTRICAL ACCESSORIES

Disconnects	7.5 kW	22A24	22A24	22A23	22A23	22A23	22A23	22A23	22A23	22A23	22A23	22A23
	15 kW	22A24	22A24	22A23	22A23	22A23	22A23	22A23	22A23	22A23	22A23	22A23
	22.5 kW	22A24	N/A	22A24	22A24	22A24	22A24	22A23	22A23	22A23	22A23	22A23

Disconnects - 22A23 - 80A
22A24 - 150A

NOTE - All units have a minimum Short Circuit Current Rating (SCCR) of 5000 amps.

¹ Extremes of operating range are plus and minus 10% of line voltage.

² HACR type breaker or fuse.

³ Refer to National or Canadian Electrical Code manual to determine wire, fuse and disconnect size requirements.

⁴ Factory installed circuit breaker not available.

ELECTRICAL/ELECTRIC HEAT DATA
6 TON

Model		LHT072H5E		
¹ Voltage - 60Hz		208/230V - 3 Ph	460V - 3 Ph	575 - 3Ph
Compressor (Non-Inverter)	Rated Load Amps	19.2	9.1	6.2
	Locked Rotor Amps	162.3	70.8	58.2
Outdoor Fan Motor	Full Load Amps (1 ECM)	2.8	1.4	1.1
Power Exhaust (1) 0.33 HP	Full Load Amps	2.4	1.3	1
Service Outlet 115V GFI (amps)		15	15	20
Indoor Blower Motor	HP	1.5	1.5	1.5
	Full Load Amps	4.4	2.3	2.3
² Maximum Overcurrent Protection (MOCP)	Unit Only	50	20	15
	With (1) 0.33 HP Power Exhaust	50	25	15
³ Minimum Circuit Ampacity (MCA)	Unit Only	32	16	12
	With (1) 0.33 HP Power Exhaust	34	17	13

ELECTRIC HEAT DATA

Electric Heat Voltage			208V	240V	480V	600V
² Maximum Overcurrent Protection (MOCP)	Unit+ Electric Heat	7.5 kW	60	60	30	25
		15 kW	80	80	40	30
		22.5 kW	90	100	50	40
³ Minimum Circuit Ampacity (MCA)	Unit+ Electric Heat	7.5 kW	51	54	27	21
		15 kW	71	77	38	30
		22.5 kW	90	99	49	39
² Maximum Overcurrent Protection (MOCP)	Unit+ Electric Heat and (1) 0.33 HP Power Exhaust	7.5 kW	60	70	30	25
		15 kW	80	80	40	35
		22.5 kW	100	110	60	40
³ Minimum Circuit Ampacity (MCA)	Unit+ Electric Heat and (1) 0.33 HP Power Exhaust	7.5 kW	54	57	28	22
		15 kW	73	79	39	31
		22.5 kW	93	102	51	40

ELECTRICAL ACCESSORIES

Disconnects	7.5 kW	22A23	22A23	22A23	22A23
	15 kW	22A23	22A23	22A23	22A23
	22.5 kW	22A24	22A24	22A23	22A23

Disconnects - 22A23 - 80A
22A24 - 150A

NOTE - All units have a minimum Short Circuit Current Rating (SCCR) of 5000 amps.

¹ Extremes of operating range are plus and minus 10% of line voltage.

² HACR type breaker or fuse.

³ Refer to National or Canadian Electrical Code manual to determine wire, fuse and disconnect size requirements.

⁴ Factory installed circuit breaker not available.

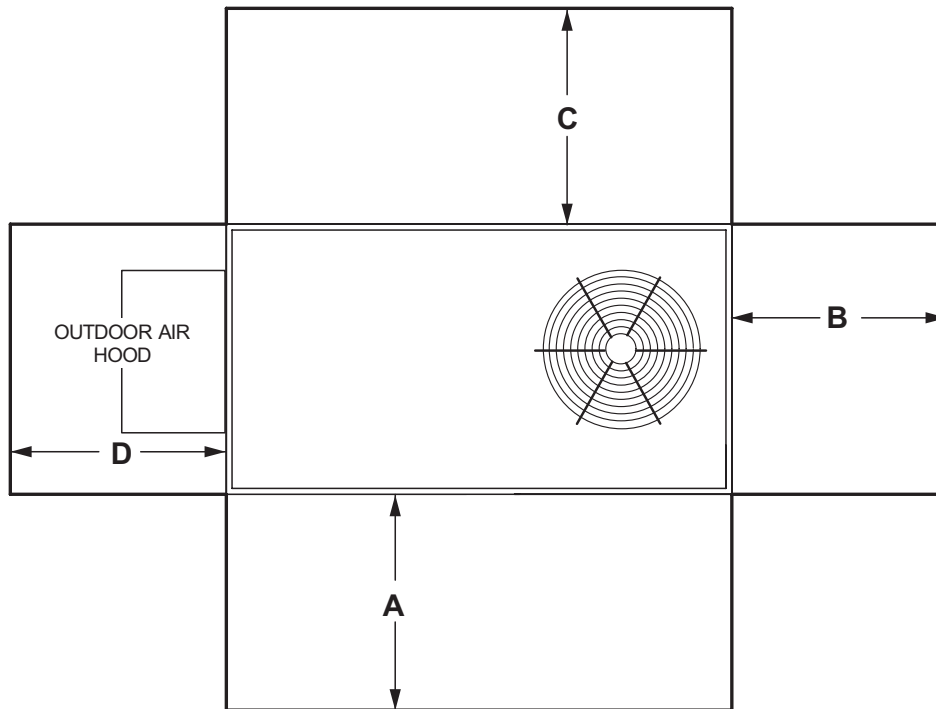
ELECTRIC HEAT CAPACITIES

Volts Input	7.5 kW			15 kW			22.5 kW		
	kW Input	Btuh Output	Stages	kW Input	Btuh Output	Stages	kW Input	Btuh Output	Stages
208	5.6	19,100	1	11.3	38,600	1	16.9	57,700	2
220	6.3	21,500	1	12.6	43,000	1	18.9	64,500	2
230	6.9	23,600	1	13.8	47,100	1	20.7	70,700	2
240	7.5	25,600	1	15.0	51,200	1	22.5	76,800	2
440	6.9	21,500	1	12.6	43,000	1	18.9	64,500	2
460	6.9	23,600	1	13.8	47,100	1	20.7	70,700	2
480	7.5	25,600	1	15.0	51,200	1	22.5	76,800	2
550	6.3	21,500	1	12.6	43,000	1	18.9	64,500	2
575	6.9	23,600	1	13.8	47,100	1	20.7	70,700	2
600	7.5	25,600	1	15.0	51,200	1	22.5	76,800	2

FIELD WIRING NOTES

- For use with copper wiring only
- Field wiring not furnished
- All wiring must conform to NEC or CEC and local electrical codes
- For specific wiring information, please refer to the installation instructions

UNIT CLEARANCES



1 Unit Clearance	A		B		C		D		Top Clearance
	in.	mm	in.	mm	in.	mm	in.	mm	
Service Clearance	36	914	36	914	36	934	36	914	Unobstructed
Minimum Operation Clearance	36	914	36	914	36	914	36	914	

NOTE - Entire perimeter of unit base requires support when elevated above the mounting surface.

¹ Service Clearance - Required for removal of serviceable parts.

Minimum Operation Clearance - Required clearance for proper unit operation.

OUTDOOR SOUND DATA

Size	Octave Band Sound Power Levels dBA, re 10 ⁻¹² Watts Center Frequency - Hz							¹ Sound Rating Number dBA
	125	250	500	1000	2000	4000	8000	
036, 048	63	66	70	71	68	62	53	75
060, 072	67	72	77	76	73	68	61	82

NOTE - The octave sound power data does not include tonal corrections.

¹ Sound Rating Number according to AHRI Standard 270-95 (includes pure tone penalty). Sound Rating Number is the overall A-Weighted Sound Power Level, (Lwa), dBA (100 Hz to 10,000 Hz).

WEIGHT DATA

UNIT

Size	Net		Shipping	
	lbs.	kg	lbs.	kg
036 Base Unit	645	293	685	311
036 Max. Unit	764	347	804	365
048 Base Unit	641	291	681	309
048 Max. Unit	760	345	800	363
060 Base Unit	686	311	727	330
060 Max. Unit	792	359	833	378
072 Base Unit	686	311	727	330
072 Max. Unit	792	359	833	378

FACTORY / FIELD INSTALLED OPTIONS AND ACCESSORIES - NET WEIGHTS

Description	lbs.	kg	
ECONOMIZER / OUTDOOR AIR / EXHAUST			
Economizer			
Economizer, Includes Combination Outdoor Air Hood and Barometric Relief Dampers	84	38	
Outdoor Air Dampers			
Motorized	40	18	
Manual	30	14	
Power Exhaust	35	17	
ELECTRIC HEAT			
7.5 kW	31	14	
15 kW	31	14	
22.5 kW	35	16	
COMBINATION COIL/HAIL GUARDS			
All models	31	14	
ROOF CURBS			
Hybrid Roof Curbs, Downflow			
8 in. height	86	39	
14 in. height	108	49	
18 in. height	125	57	
24 in. height	147	67	
Adjustable Pitch Curb, Downflow			
14 in. height	147	67	
CEILING DIFFUSERS			
Step-Down	RTD11-95S	118	54
Flush	FD11-95S	118	54
Transitions	T1TRAN20N-1	21	10

DIMENSIONS

UNIT

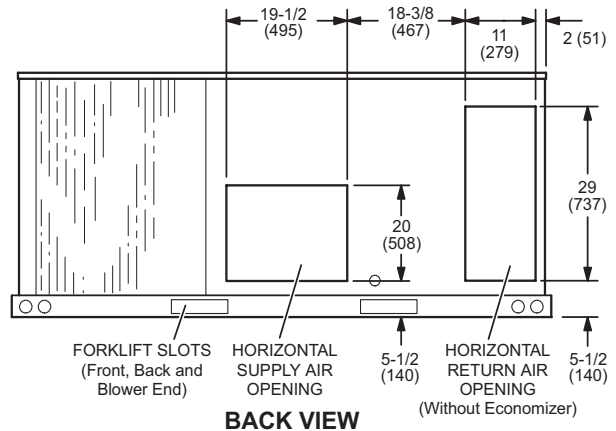
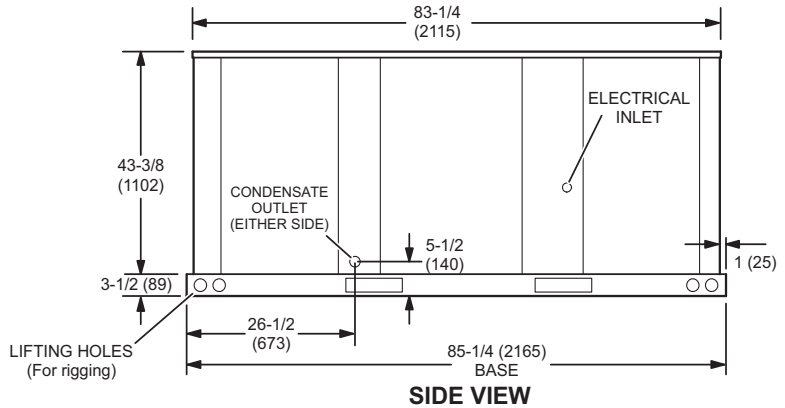
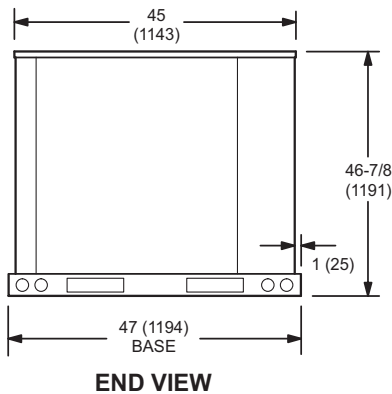
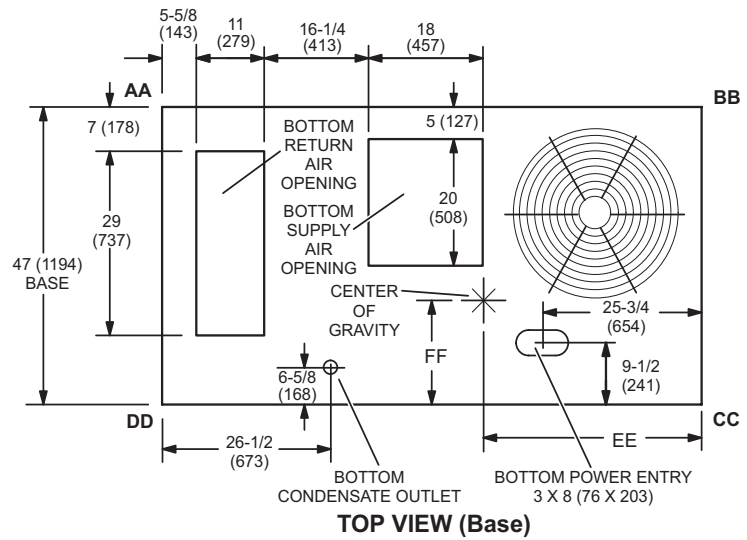
CORNER WEIGHTS

CENTER OF GRAVITY

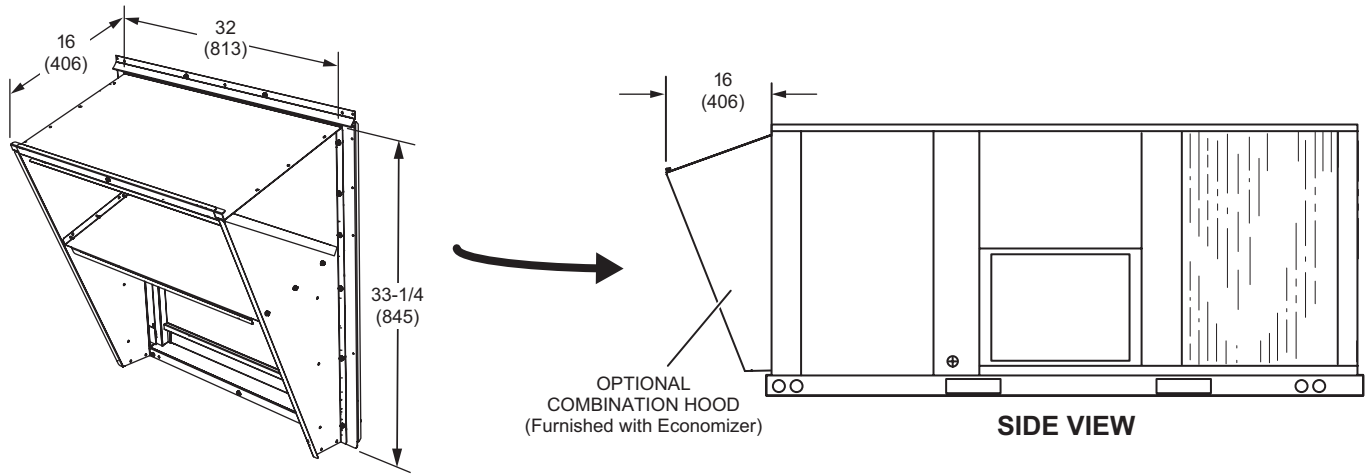
Model	AA		BB		CC		DD		EE		FF	
	lbs.	kg	lbs.	kg	lbs.	kg	lbs.	kg	in.	mm	in.	mm
LHT036 Base Unit	138	63	164	74	186	84	157	71	38	965	22	559
LHT036 Max. Unit	180	82	177	80	201	91	205	93	42	1067	22	559
LHT048 Base Unit	137	62	163	74	185	84	156	71	38	965	22	559
LHT048 Max. Unit	179	81	176	80	200	91	204	93	42	1067	22	559
LHT060 Base Unit	140	64	167	76	206	93	173	78	38	965	21	533
LHT060 Max. Unit	166	75	171	78	231	105	224	102	41	1041	20	508
LHT072 Base Unit	140	64	167	76	206	93	173	78	38	965	21	533
LHT072 Max. Unit	166	75	171	78	231	105	224	102	41	1041	20	508

Base Unit - The unit with NO INTERNAL OPTIONS.

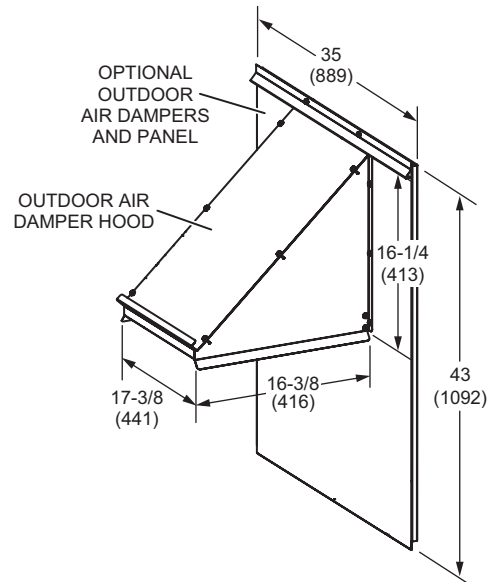
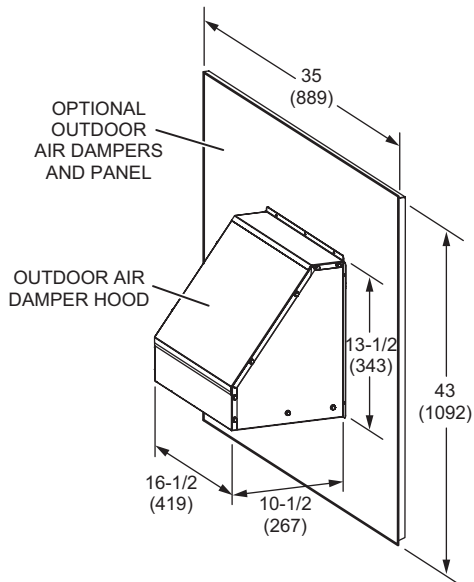
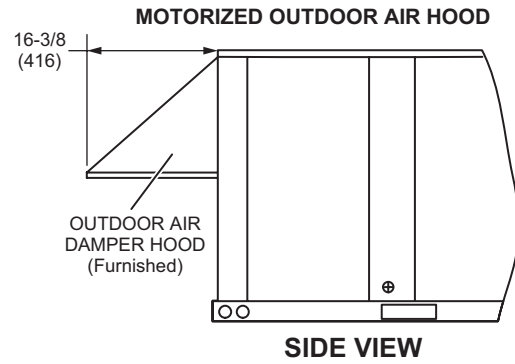
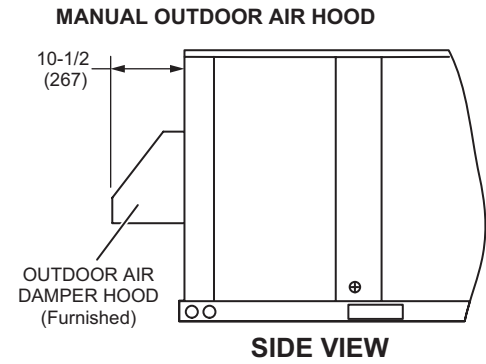
Max. Unit - The unit with ALL INTERNAL OPTIONS Installed. (Economizer, Standard Static Power Exhaust Fans, Controls, etc.). Does not include accessories external to unit or high static power exhaust.



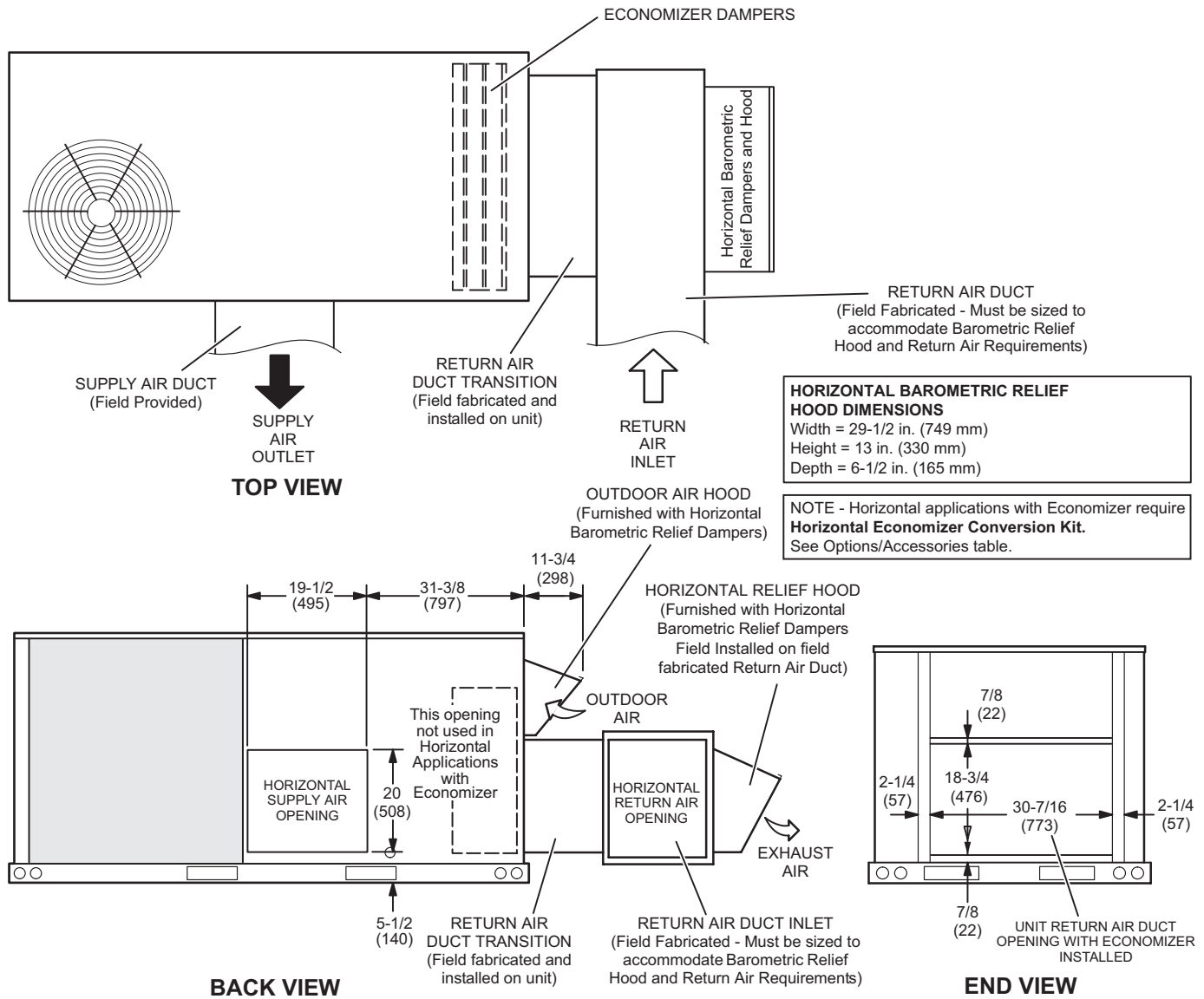
**COMBINATION OUTDOOR AIR HOOD DETAIL FOR OPTIONAL ECONOMIZER AND BAROMETRIC RELIEF DAMPERS
(Furnished With Economizer for Downflow Applications)**



OUTDOOR AIR DAMPER HOOD DETAIL (Downflow or Horizontal Applications)

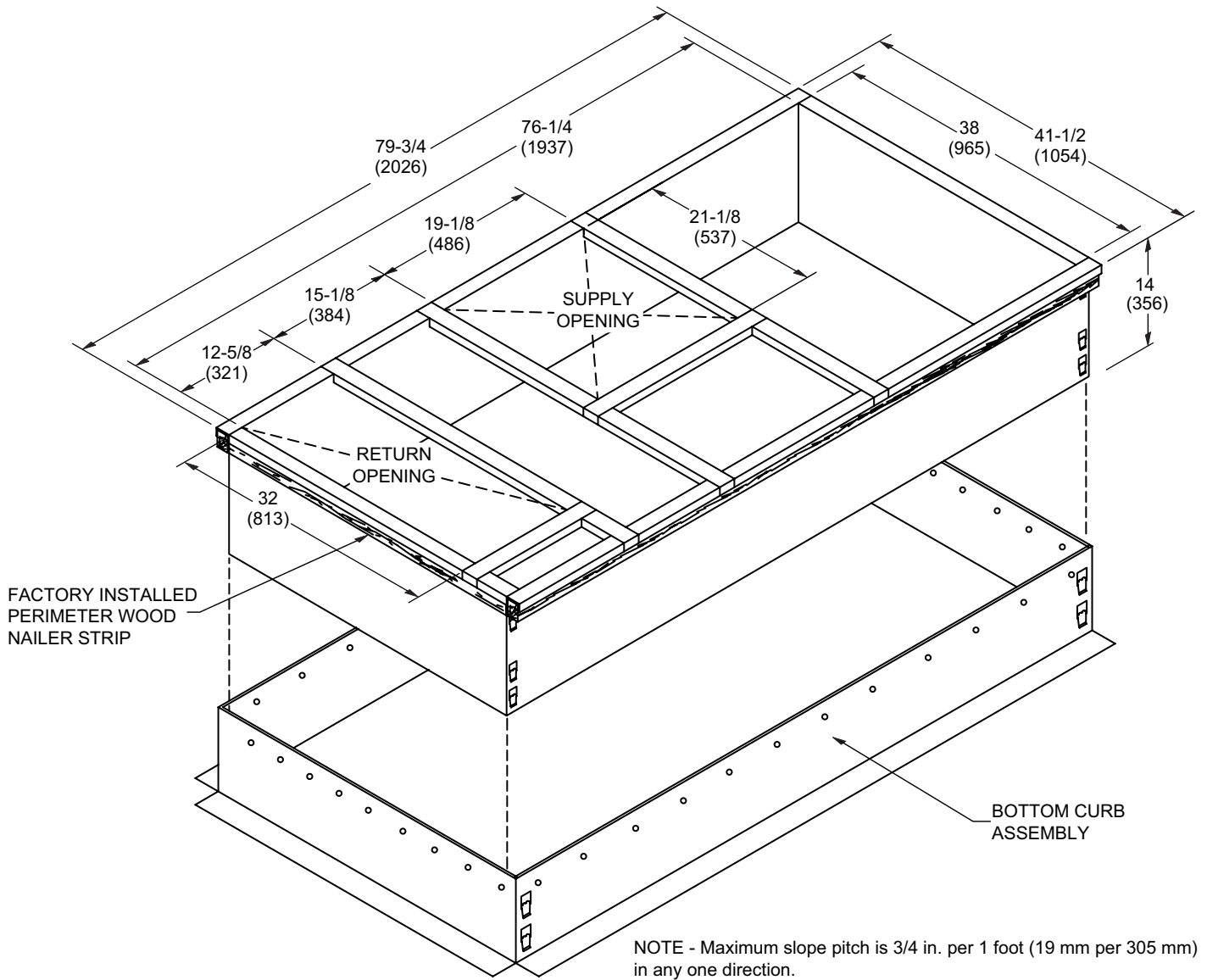


HORIZONTAL ECONOMIZER APPLICATIONS - OUTDOOR AIR HOOD DETAIL WITH OPTIONAL ECONOMIZER DAMPERS AND OPTIONAL HORIZONTAL BAROMETRIC RELIEF DAMPERS AND HOOD

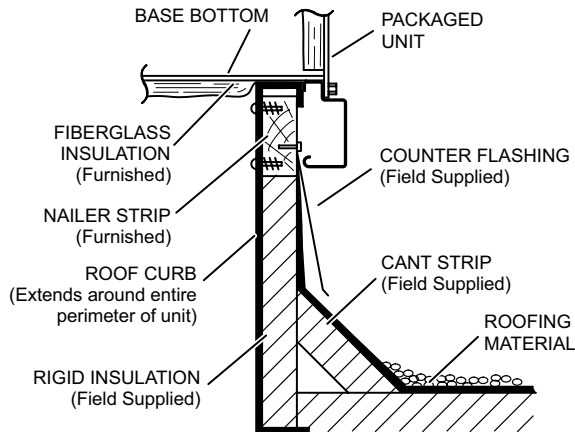


NOTE - Return Air Duct and Transition must be supported.

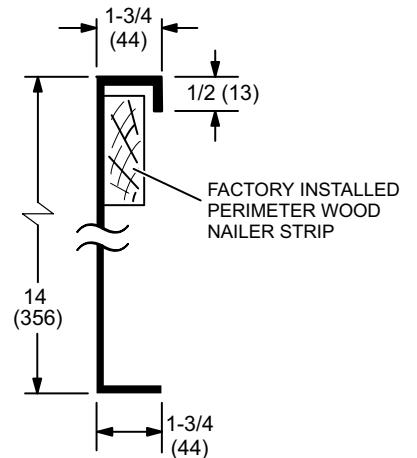
ADJUSTABLE PITCH CURBS - DOUBLE DUCT OPENING



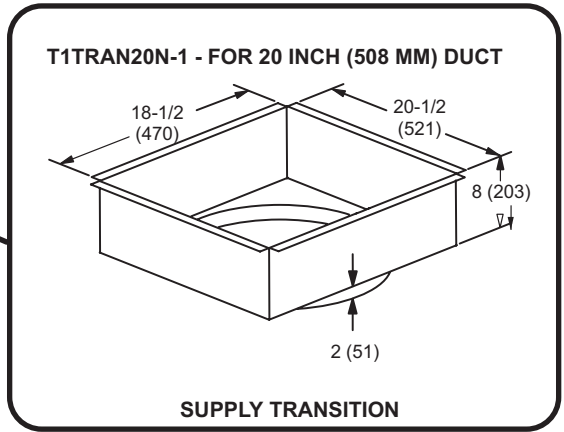
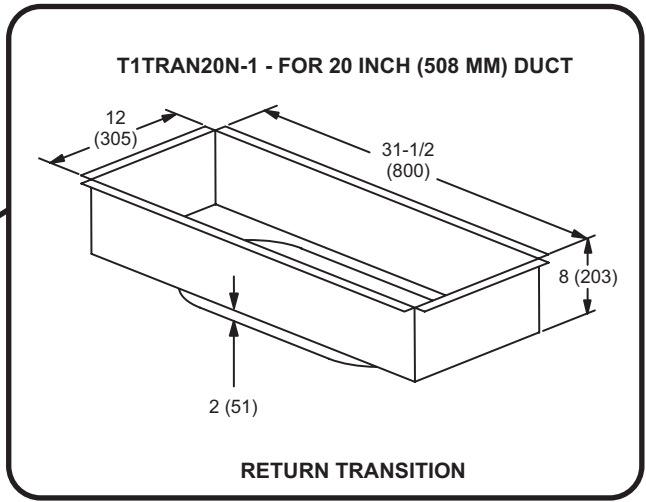
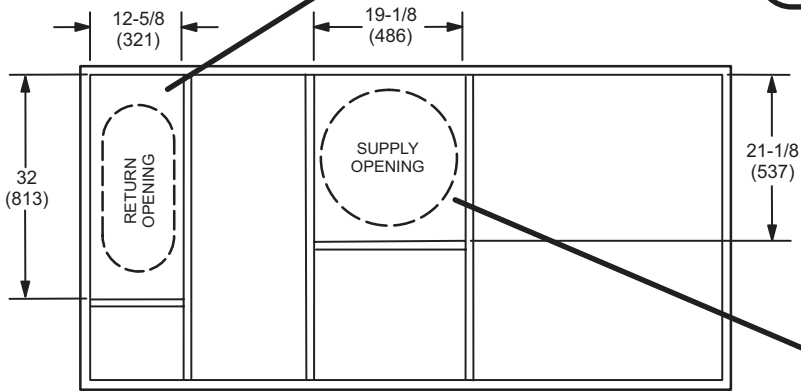
TYPICAL FLASHING DETAIL FOR ROOF CURB



DETAIL ROOF CURB

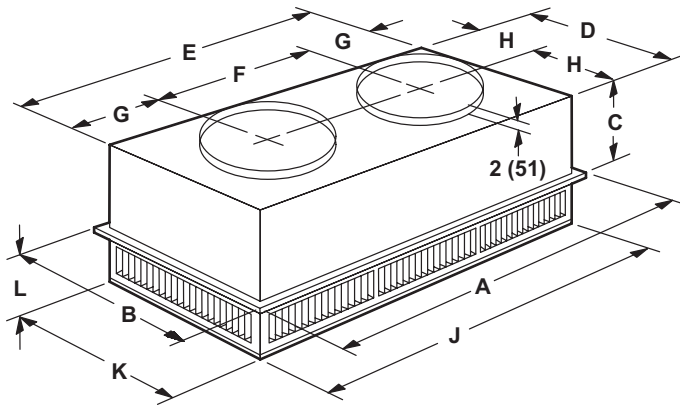


TRANSITIONS

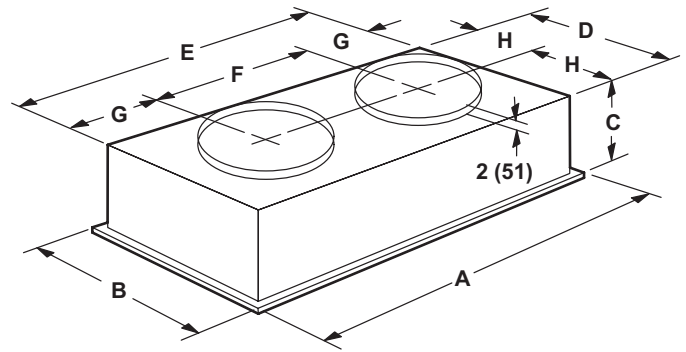


COMBINATION CEILING SUPPLY AND RETURN DIFFUSERS

STEP-DOWN CEILING DIFFUSER

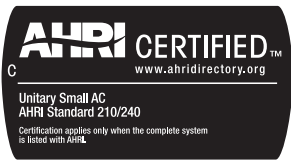


FLUSH CEILING DIFFUSER



Model		RTD11-95S
A	in.	47-5/8
	mm	1159
B	in.	29-5/8
	mm	752
C	in.	14-3/8
	mm	365
D	in.	27-1/2
	mm	699
E	in.	45-1/2
	mm	1158
F	in.	22-1/2
	mm	572
G	in.	11-1/2
	mm	292
H	in.	13-3/4
	mm	349
J	in.	45-1/2
	mm	1156
K	in.	27-1/2
	mm	699
L	in.	8-1/8
	mm	206
Duct Size	in.	20 round
	mm	508 round

Model		FD11-95S
A	in.	47-5/8
	mm	1159
B	in.	29-5/8
	mm	752
C	in.	16-5/8
	mm	422
D	in.	27
	mm	686
E	in.	45
	mm	1143
F	in.	22-1/2
	mm	572
G	in.	11-1/4
	mm	286
H	in.	13-1/2
	mm	343
Duct Size	in.	20 round
	mm	508 round



Intertek



Visit us at www.Lennox.com

For the latest technical information, www.LennoxCommercial.com

Contact us at 1-800-4-LENNOX

NOTE - Due to Lennox' ongoing commitment to quality, Specifications, Ratings and Dimensions subject to change without notice and without incurring liability. Improper installation, adjustment, alteration, service or maintenance can cause property damage or personal injury. Installation and service must be performed by a qualified installer and servicing agency.

©2024 Lennox Industries, Inc.