

PACKAGED HEAT PUMP

**LDT**

**ENLIGHT ROOFTOP UNITS**

High Efficiency | Dual-Fuel | Lennox® CORE Controller | **R-454B** | 60Hz



**COMMERCIAL  
PRODUCT SPECIFICATIONS (EHB)**

**3 to 6 Tons**  
 Net Cooling Capacity | 35,600 to 66,000 Btuh  
 Net Heating Capacity | 34,000 to 66,000 Btuh  
 Gas Input Heat Capacity | 65,000 to 150,000 Btuh

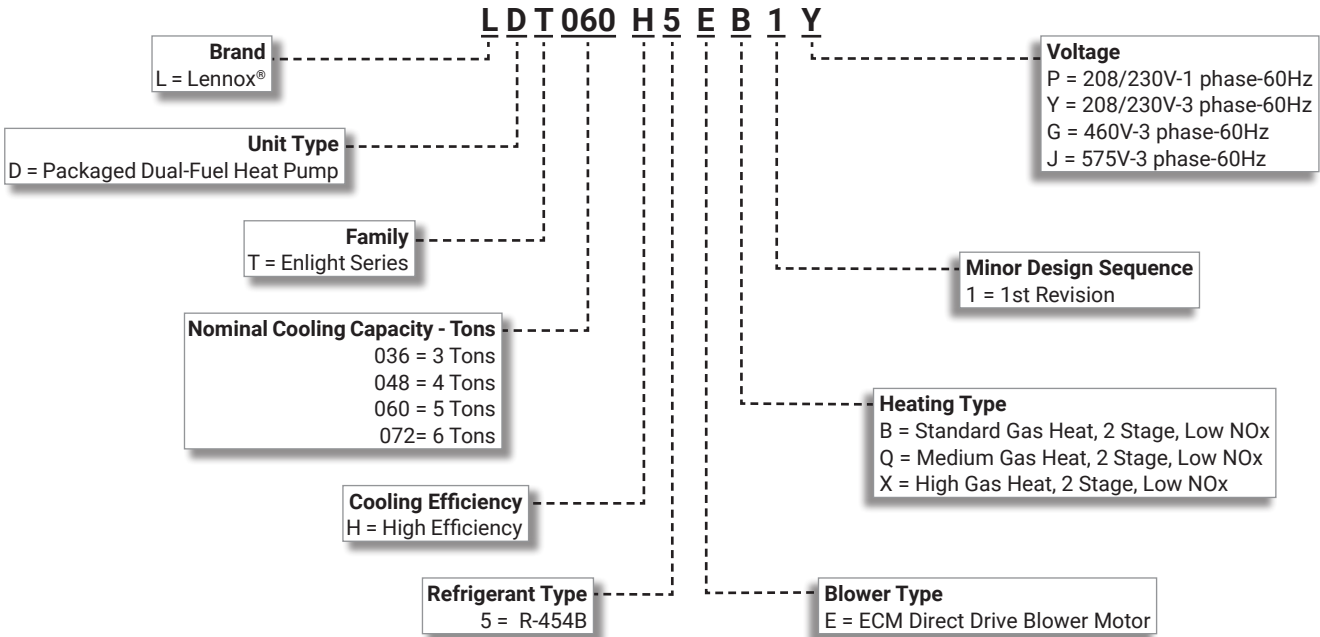
**ENLIGHT**



**SMART WIRE™ SYSTEM**

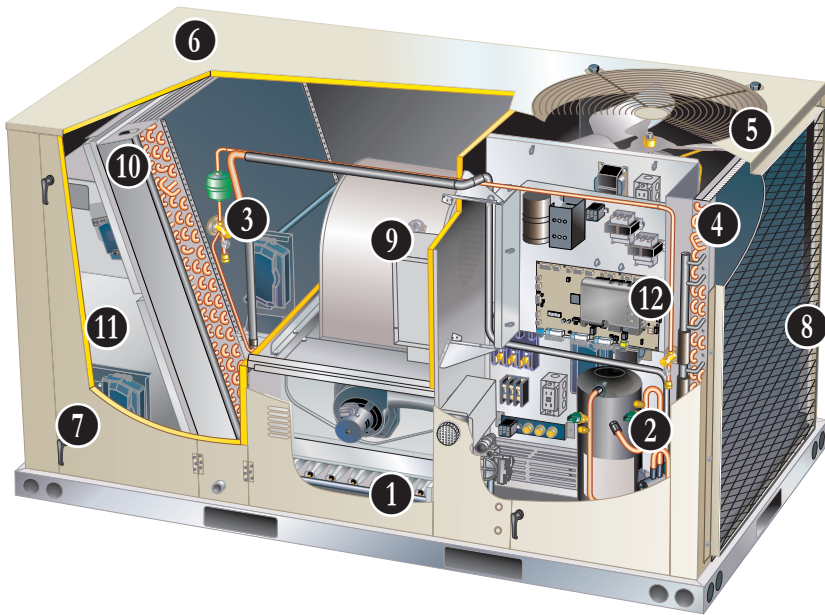


**MODEL NUMBER IDENTIFICATION**



## FEATURE HIGHLIGHTS

Enlight rooftop units featuring the Lennox® CORE Control System create a bright future through a highly energy-efficient and environmentally sustainable design. Comprehensive configurations meet a wide range of applications, making it the most flexible product line Lennox has to offer.



1. Aluminized steel inshot burners
2. Two Stage Compressor
3. Filter/Drier
4. Outdoor Coil
5. Variable Speed (ECM) Fan Motor
6. Heavy Gauge Steel Cabinet
7. Hinged Access Panels
8. Combination Coil/Hail Guards (option)
9. Supply Air Direct Drive (ECM) Blower
10. Air Filters
11. Lennox® CORE Control System
12. Economizer (option)

## CONTENTS

Approvals And Warranty . . . . .	3
Blower Data . . . . .	25
- 0.5 Hp   3 Row (036). . . . .	25
- 1.0 Hp   3 Row (048). . . . .	26
- 1.0 Hp   4 Row (060). . . . .	27
- 1.5 Hp   3 Row (036, 048). . . . .	28
- 1.5 Hp   4 Row (060   072) . . . . .	30
Control System . . . . .	8
Cooling / Heating Ratings . . . . .	21
Dimensions . . . . .	37
- Accessories . . . . .	38
- Unit . . . . .	37
Electrical Data . . . . .	33
Features And Benefits . . . . .	3
High Altitude Derate . . . . .	20
Model Number Identification. . . . .	1
Optional Conventional Temperature Control Systems . . . . .	12
Options / Accessories . . . . .	16
Outdoor Sound Data . . . . .	35
Sequence Of Operation. . . . .	14
Specifications . . . . .	19
- Low NOX Gas Heat . . . . .	20
Unit Clearances . . . . .	36
Weight Data . . . . .	35
- Unit . . . . .	35

## APPROVALS AND WARRANTY

### APPROVALS

- AHRI Certified to AHRI Standard 210/240-2023 (3 thru 5 ton models) and AHRI Standard 340/360-2023 (6 ton models)
- ETL and CSA listed
- Unit and components are ETL, NEC and CEC bonded for grounding to meet safety standards for servicing
- All models are ASHRAE 90.1 compliant
- All models meet DOE 2023 energy efficiency standards and UL 60335-2-40 Refrigerant Detector Requirements
- All models have HCAI (formerly OSHPD) OSP and Special Seismic Certification ([Number: OSP-0596](#)), and meet 2021 International Building Code (IBC), 2022 California Building Code (CBC) ASCE 7, and ICC-ES AC156
- 3, 4, and 5 ton models are ENERGY STAR® certified to use less energy, help save money on utility bills, and help protect the environment
- ISO 9001 Registered Manufacturing Quality System

### California Only

- These gas units do not meet the South Coast Air Quality Management District (SCAQMD) Rule 1111 and San Joaquin Valley Air Pollution Control District (SJVAPCD) Rule 4905 NOx emission limit (14 ng/J) and cannot be installed within the SCAQMD and SJVAPCD areas
- Low NOx gas units are approved by the California Energy Commission and meets California Nitrogen Oxides Standard (NOx) limits of 40 ng/J

### WARRANTY

- Stainless Steel Heat Exchanger - Limited fifteen years
- Compressors - Limited five years
- Lennox® CORE Unit Controller - Limited three years
- High Performance Economizers (optional) - Limited five years
- All other covered components - Limited one year

## FEATURES AND BENEFITS

### 1 DUAL-FUEL OPERATION

#### (Heating Mode)

- Operates the heat pump for 1st stage heating
  - If 1st stage heat settings are not met, 2nd stage activates gas heating (secondary heat source)
- Mechanical heat pump operation automatically terminates on gas heat start-up
- Lennox® CORE Control System automatically changes blower speeds between heat pump heating and gas heating
- Blower operates in high speed during 1st stage (heat pump) operation and terminates during changeover to gas heat operation
- Blower starts when heat exchanger is warm, and runs in high speed during 2nd stage (gas heat) operation
  - If continuous blower operation is available on the thermostat, a change in blower speed automatically occurs during heat pump to gas heat changeover

### COOLING / HEATING SYSTEM

- Designed to maximize sensible and latent cooling performance at design conditions
- System can operate in mechanical cooling mode from 0°F to 125°F without any additional controls

### R-454B Refrigerant

- Low GWP (Global Warming Potential)
- Zero ODP (Ozone Depletion Potential)
- Low Toxicity/Lower Flammability - A2L
- Unit is factory pre-charged

### 2 Two-Stage Compressor

- Two-stage scroll compressors on all models for high performance, reliability, quiet operation and increased part-load efficiency
- Resiliently mounted on rubber grommets for quiet operation

#### Compressor Crankcase Heater

- Protects against refrigerant migration that can occur during low ambient operation or during extended off cycles

#### Thermal Check/Expansion Valve

- Ensures optimal performance throughout the application range
- Removable element head

#### Reversing Valve

- 4-way interchange reversing valve rapidly changes the direction of refrigerant flow resulting in quick changeover from cooling to heating and vice versa

### 3 Filter/Drier

- High capacity filter/drier protects the system from dirt and moisture

#### High Pressure Switch

- Protects the compressor from overload conditions such as dirty condenser coils, blocked refrigerant flow, or loss of outdoor fan operation

#### Low Pressure Switch

- Protects the compressor from low pressure conditions such as low refrigerant charge, or low/no airflow

## FEATURES AND BENEFITS

### COOLING / HEATING SYSTEM (continued)

#### Indoor Coil Freeze Protection

- Protects the evaporator coil from damaging ice build-up due to conditions such as low/no airflow, or low refrigerant charge

#### 4 Outdoor Coil

- Copper tube construction
- Enhanced rippled-edge aluminum fins
- Flared shoulder tubing connections
- Silver soldered construction
- Factory leak tested

#### Indoor Coil

- Copper tube construction
- Enhanced rippled-edge aluminum fins
- Flared shoulder tubing connections
- Silver soldered construction for improved heat transfer
- Factory leak tested
- Cross row circuiting with rifled tubing optimizes both sensible and latent cooling capacity

#### Antimicrobial Condensate Drain Pan

- Composite pan, sloped to meet drainage requirements of ASHRAE 62.1
- Antimicrobial additive resists growth of mold and mildew on drain pan, which improves indoor air quality and reduces drain line blockage
- Side or bottom drain connections
- Reversible to allow connection at back of unit

#### 5 Variable Speed Outdoor Coil Fan Motor

- Variable speed (ECM) fan motor for energy efficient MSAV® (Multi-Stage Air Volume) operation and quiet operation
- Thermal overload protected
- Totally enclosed
- Permanently lubricated ball bearings
- Shaft up
- Wire basket mount

#### Outdoor Coil Fan

- PVC coated fan guard furnished

#### Required Selections

##### Cooling Capacity

- Specify nominal cooling capacity

#### Options/Accessories

#### Factory or Field Installed

##### Drain Pan Overflow Switch

- Monitors condensate level in drain pan
- Shuts down unit if drain becomes clogged

#### Field Installed

##### Condensate Drain Trap

- Constructed of PVC or copper

### LOW GWP REFRIGERANT DETECTION SYSTEM (RDS)

- Complies with UL 60335-2-40 approved standard
- Required for all systems using R-454B refrigerant
- Factory installed on all units
- Consists of a refrigerant detection sensor(s) and a mitigation control
- Ensures safe operation for systems equipped with R-454B refrigerant
- Sensor(s) monitors indoor coil area for R-454B refrigerant
- If R-454B refrigerant is detected the refrigerant detection system will prevent compressor and heating operation until R-454B refrigerant is no longer detected
- Refrigeration detection system energizes blower if any R-454B refrigerant is detected to mitigate any concentrations of refrigerant from the unit and the system

### GAS HEATING SYSTEM

#### Heat Exchanger

- Aluminized steel inshot burners
- Direct spark ignition
- Electronic flame sensor
- Combustion air inducer
- Redundant automatic dual stage gas valve with manual shut-off

#### Heat Exchanger

- Tubular construction, stainless steel
- Life cycle tested

#### Limit Controls

- Factory installed, redundant limit controls with fixed temperature setting
- Heat limit controls protect heat exchanger and other components from overheating

#### Safety Switches

- Flame roll-out switch, flame sensor and combustion air inducer proving switch protect system operation
- All safety switches are monitored by the Lennox® CORE Unit Controller and diagnostic information is reported and recorded

#### Required Selections

##### Gas Input Choice - Order one:

- Standard Gas Heat (2 Stage) 53,000/65,000 Btuh
- Medium Gas Heat (2 Stage) 81,000/108,000 Btuh
- High Gas Heat (2 Stage) 113,000/150,000 Btuh
- See Gas Heat Specifications Tables on page 20

**NOTE** - All models are furnished with Low NOx (40 ng/J) gas heat.

## FEATURES AND BENEFITS

### GAS HEATING SYSTEM (continued)

#### Options/Accessories

#### **Factory Installed**

##### Stainless Steel Heat Exchanger

- Required if mixed air temperature is below 45 °F

##### Vertical Vent Extension Kit

- Use to exhaust flue gases vertically above unit
- Required when unit vent is too close to fresh air intakes per building codes
- Prevents ice formation on intake louvers
- Kit contains vent transition, drain cap and installation hardware

**NOTE** - Straight vent pipe (3 in. B-Vent), vent tee and vent cap are not furnished and must be field supplied. Refer to kit instructions for additional information.

#### **Field Installed**

##### Combustion Air Intake Extensions

- Recommended for use with existing flue extension kits in areas where high snow can block intake air

##### Low Temperature Vestibule Heater

- Extends gas heat operation from -40°F (standard) down to -60°F
- Electric heater automatically controls minimum temperature in gas burner compartment when temperature falls below -40°F

##### LPG/Propane Kits

- Conversion kit to field change over units from Natural Gas to LPG/Propane

### **CABINET**

#### **6** Construction

- Heavy-gauge steel panels
- Full perimeter heavy-gauge galvanized steel base rail
- Base rails have rigging holes
- Three sides of the base rail have forklift slots
- Raised edges around duct and power entry openings in the bottom of the unit for water protection

##### Airflow Choice

- Units are shipped in downflow (vertical) return air flow configuration

**NOTE** - Can be field converted to horizontal airflow configuration without any optional kits.

##### Duct Flanges

- Provided for horizontal duct attachment

##### Power/Gas Entry

- Electrical and gas lines can be routed through the unit base or through horizontal access knock-outs

##### Exterior Panels

- Constructed of heavy-gauge, galvanized steel
- Textured pre-paint with polyurethane finish
- Cyclic salt fog and UV exposure up to 1,680 hours per ASTM D5894

##### Insulation

- Fully insulated with non-hygroscopic fiberglass insulation (conditioned areas)
- Unit base is fully insulated
- Base insulation serves as an air seal to the roof curb, eliminating the need to add a seal during installation

#### **7** Hinged Access Panels

- Tool-less access
- Economizer/ Filter sections
- Compressor/controls sections
- Panel seals and quarter-turn latching handles provide a tight air and water seal

**NOTE** - Optional Economizers, Power Exhaust, Outdoor Air Dampers and Barometric Relief Dampers include a filler panel for proper cabinet fit.

#### Required Selections

##### Airflow Configuration

- Specify horizontal or downflow

#### Options/Accessories

#### **Factory Installed**

##### Corrosion Protection

- Completely flexible immersed coating
- Electrodeposited dry film process (AST ElectroFin E-Coat)
- ASTM B117 / DIN 53167 Salt Spray - 15,000+ hours
- ASTM G85 Annex A3 SWAAT Modified Salt Spray - 3,000 hours
- VA Master Construction Specification Division 23 for High Humidity Installations
- CID AA-52474A (GSA)
- Indoor Corrosion Protection:
  - Coated coil
  - Coated reheat coil
  - Painted blower housing
  - Painted base
- Outdoor Corrosion Protection:
  - Coated coil
  - Painted outdoor base

#### **Factory or Field Installed**

#### **8** Combination Coil/Hail Guards

- Heavy gauge steel frame
- Painted to match cabinet
- Expanded metal mesh protects outdoor coil

## FEATURES AND BENEFITS

### 9 BLOWER

A wide selection of supply air blower options are available to meet a variety of airflow requirements.

#### Variable-Speed ECM Direct Drive Motor

- Standard on 036, 048, 060 models
- Forward curved blades

#### DirectPlus™ Direct Drive ECM Blower System

- Standard on 072 model (Optional for 036, 048 and 060 models)
- Backward curved blades
- High-efficiency, variable-speed ECM (electronically commutated) motor
- Eliminates the need for a separate variable-frequency drive
- Advanced Blower Diagnostics: Lennox® CORE Unit Controller communicates via Modbus with DirectPlus™ blower to provide control commands, blower proving functionality, and detailed alarm codes
- MSAV control modulates the amount of supply blower airflow according to cooling demand, heating demand, ventilation demand or smoke alarm
- The amount of airflow for each stage can be set according to a parameter in the Lennox® CORE Unit Controller
- Unit is shipped from the factory with preset airflows
- Fully variable speed motor modulates to maximize system efficiency
- Combines the motor and electronics into one unit
- Aerodynamically optimized impeller with curved blades mounted directly onto the rotor



- Air inlet grill reduces indoor sound levels without affecting air performance

#### Required Selections

##### Blower Motor

- Specify Standard Static or High Static (3-5 ton models only)

### ELECTRICAL

#### SmartWire™ System

- Keyed and color-coded wiring connectors prevent miswiring
- Wire coloring scheme is standardized across all models
- Each connection is intuitively labeled to make troubleshooting and servicing quick and easy

#### Electrical Plugs

- Positive connection electrical plugs are used to connect common accessories or maintenance parts for easy removal or installation

#### Required Selections

##### Voltage Choice

- Specify when ordering base unit

#### Options/Accessories

#### Factory Installed

##### Circuit Breakers

- HACR type
- For overload and short circuit protection
- Factory wired and mounted in the power entry panel
- Current sensitive and temperature activated
- Manual reset

##### Disconnect Switch

- Accessible outside of unit
- Spring loaded weatherproof cover furnished

##### Phase/Voltage Detection (3 Phase models only)

- Monitors power supply to ensure phase is correct at unit start-up
  - If phase is incorrect, the unit will not start and an alarm code is reported to the unit controller
- Protects unit from being started with incorrect phasing which could lead to issues such as compressors running backwards
- Voltage detection monitors power supply voltage to ensure proper voltage
  - If voltage is not correct (over/under voltage conditions) the unit will not start and an alarm code is reported to the unit controller

#### Factory Installed

##### Short-Circuit Current Rating (SCCR)

- Higher short circuit protection up to 100kA

**NOTE** - Disconnect Switch is furnished and factory installed with High SCCR option.

#### Factory or Field Installed

##### GFI Service Outlets (2)

- 115V ground fault circuit interrupter (GFCI) type options:
  - Factory installed, powered and wired
  - Factory installed, non-powered, field wired
  - Field installed, non-powered, field wired

## FEATURES AND BENEFITS

### INDOOR AIR QUALITY

#### 10 Air Filters

- Disposable 2 inch MERV 4 filters furnished as standard

#### Options/Accessories

#### Factory or Field Installed

##### Healthy Climate® High Efficiency Air Filters

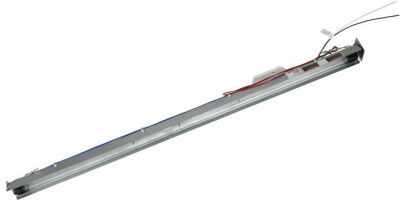
- Disposable MERV 8 and MERV 13 (Minimum Efficiency Reporting Value based on ASHRAE 52.2) efficiency 2 inch pleated filters

#### Field Installed

##### Healthy Climate® High Efficiency MERV 16 Air Filters

- Disposable MERV 16 (Minimum Efficiency Reporting Value based on ASHRAE 52.2) efficiency 2 inch pleated filters

##### Healthy Climate® UVC Germicidal Lamps



- Germicidal lamps emit ultra-violet (UV-C) energy, which has been proven to be effective in reducing microbes such as viruses, bacteria, yeasts, and molds
- UV-C energy greatly reduces the growth and proliferation of mold and other bioaerosols (bacteria and viruses) on illuminated surfaces (particularly coil and drain pan)
- Destroys the organism or controls its ability to reproduce
- Field installed in the blower/evaporator coil section
- Magnetic safety interlock terminates power when access panels are removed
- All necessary hardware for installation is included
- Lamps operate on 110/230V-1ph power supply

**NOTE** - Step-down transformer may be ordered separately for 460V and 575V units.

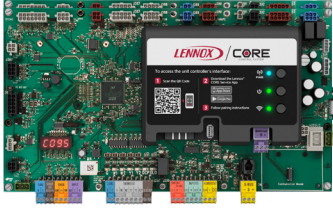
- Approved by ETL

##### Indoor Air Quality (CO<sub>2</sub>) Sensors

- Monitors CO<sub>2</sub> levels
- Reports to the Lennox® CORE Unit Controller, which adjusts economizer dampers as needed

## CONTROL SYSTEM

### LENNOX® CORE CONTROL SYSTEM



- 11 The Lennox® CORE Control system is designed to accelerate equipment install and service. Standard with all Enlight rooftop units, control system integrates key technologies that lower installation costs, drive system efficiency, and protect your investments. The Lennox® CORE Unit Controller is a microprocessor-based controller that provides flexible control of all unit functions.

#### CORE Service Mobile App

- Guided Setup with progress indicators, detailed help, and exportable summaries to manage simple, trouble-free setup, reducing commissioning times
- Enhanced Test Functionality provides real-time sensor readings, trending, and reports that enable easy troubleshooting
- Ability to set and configure parameters of the CORE Control System to manage sequence of operation
- Economizer test function ensures economizer is operating correctly



#### Additional Features:

- Built-In 7-Segment Display shows Unit Status and active alarms for easy troubleshooting
- Buttons for test and clearing delays
- SmartWire™ System with keyed and removable screw terminals ensure correct field wiring
- Built-in BACnet MS/TP and IP allow open integration to building management systems
- Two-port Ethernet Switch enables daisy chaining for BACnet IP and automatic firmware updates

#### NOTE - Unit Internet Connection required.

- Profile setup copies key settings between units with the same configuration to reduce setup time
- USB port allows a technician to download and transfer unit information to help verify service was performed
- USB software updates on the Lennox® CORE Unit Controller enhance functionality without the need to change components
- Unit Controller Software

#### Configurable Built-In Functions

- Discharge Air Cooling Control
- Up to three distinct Cooling Airflows in Thermostat Mode
- Programmable independent heating, ventilation and cooling blower speeds
- Discharge Air Heating Control

- Economizer Control Options (See Economizer / Exhaust Air / Outdoor Air sections)
- Exhaust Fan Control Modes for fresh air damper position
- Configurable Morning Warm-up
- Night Setback Mode
- Fresh Air Tempering for Improved Ventilation
- Demand Control Ventilation
- Low Ambient Controls for operation down to 0°F
- Two Defrost Control Methods (demand and timed - heat pumps only)

#### Component Protection / Unit Safeguards:

- Compressor Time-Off Delay
- Adjustable Blower On/Off Delay
- Return Air Temperature Limit Control
- Safety Switch Input allows Controller to respond to a external safety switch trip
- Service Relay Output
- Thermostat Bounce Delay
- Smoke Alarm Mode has four choices (unit off, positive pressure, negative pressure, purge)
- "Strike Three" Protection
- Gas Valve Time Delay Between First and Second Stage
- Minimum Compressor Run Time

#### Control Methods / Interfaces:

- DDC and 24V Thermostat
- BACnet MS/TP and IP
- LONTalk (Factory and Field Option)
- Lennox S-BUS
- Zone Temperature Sensor Input
- Dehumidistat and Humidity Sensor Inputs
- Indoor Air Quality Inputs (2)
- Built-in Control Parameter Defaults
- Permanent Diagnostic Code Storage
- Field Adjustable Control Parameters (Over 200 settings)
- Multiple Configurable Digital Inputs
- LED Indicators
- PC Interface connects the Lennox® CORE Unit Controller to a PC with the Lennox Unit Controller Software

**NOTE** - Lennox® CORE Control System features vary with the type of rooftop unit in which the control is installed.



## CONTROL SYSTEM

### LENNOX® CORE CONTROL SYSTEM (continued)

#### Controls Options

##### **Factory or Field Installed**

##### **Blower Proving Switch**

- Monitors blower operation, shuts down unit if blower fails

##### **Dirty Filter Switch**

- Senses static pressure increase and issues alarm if necessary

## OPTIONS / ACCESSORIES

### ECONOMIZER

- 12 • Economizer operation is set and controlled by the Lennox® CORE Unit Controller
  - Simple plug-in connections from economizer to unit controller for easy installation
  - All Enlight rooftop units are equipped with factory installed CEC Title 24 approved sensors for outside, return and discharge air temperature monitoring
- NOTE** - Optional sensors may be used instead of unit sensors to determine whether outdoor air is suitable for free cooling. See Options/Accessories table.

#### **Factory or Field Installed**

##### **High Performance Economizer**

- Approved for California Title 24 building standards
- Low leakage dampers are Air Movement and Control Association International (AMCA) Class 1A Certified - Maximum 3 CFM per sq. ft. leakage at 1 in. w.g.
- ASHRAE 90.1 compliant
- Combination Outdoor Air Hood is furnished
- Factory installed Economizer can be ordered with three exhaust options:
  - Barometric Relief Dampers
  - Power Exhaust Fan

**NOTE** - See Power Exhaust Fan section for additional requirements.

- No Exhaust
- Field installed Economizer includes Barometric Relief Dampers with Combination Hood
- Barometric Relief Dampers allow relief of excess air
- Dampers prevent blow back and outdoor air infiltration during off cycle
- Bird screen furnished

**NOTE** - Barometric Relief Dampers are required when Economizer is factory installed with factory installed Power Exhaust Fan option. See Power Exhaust Fan section and Options/Accessories table.

- Demand Control Ventilation (DCV) ready using optional CO<sub>2</sub> sensors.
- Horizontal Barometric Dampers are required for horizontal Economizer applications and must be ordered separately.
- Linked damper action
- High torque 24-volt fully-modulating spring return damper motor
- Return air and outdoor air dampers
- Plug-in connections to unit

## OPTIONS / ACCESSORIES

### **ECONOMIZER (continued)**

#### **Factory or Field Installed (continued)**

**NOTE** - High Performance Economizers are not approved for use with enthalpy controls in Title 24 applications.

**NOTE** - The Free Cooling setpoint for Title 24 applications must be set based on the Climate Zone where the system is installed. See Section 140.4 "Prescriptive Requirements for Space Conditioning Systems" of the California Energy Commission's Building Energy Efficiency Standards.

**NOTE** - Refer to Installation Instructions for complete setup information.

#### **Differential Sensible Control**

- Factory setting
- Uses outdoor air and return air sensors that are furnished with the unit
- The Lennox® CORE Unit Controller compares outdoor air and return air setpoints and activates the economizer when the outdoor air temperature is below the configured setpoint and cooler than return air

**NOTE** - Differential Sensible Control can be configured in the field to provide Offset Differential Sensible Control or Single Sensible Control.

In Offset Differential Sensible Control mode, the economizer is enabled if the temperature differential (offset) between outdoor air and return air reaches the configured setpoint

In Single Sensible Control mode, the economizer is enabled when outdoor air temperature falls below the configured setpoint

#### **Global Control**

- The unit controller communicates with a DDC system with one global sensor (enthalpy or sensible) to determine whether outside air is suitable for free cooling on all units connected to the control system. Sensor must be field provided.

**NOTE** - Global control with enthalpy is not approved for Title 24 applications.

#### **Single Enthalpy Temperature Control (Not for Title 24)**

- Outdoor air enthalpy sensor enables Economizer if the outdoor enthalpy is less than the setpoint of the control.

#### **Differential Enthalpy Control (Not for Title 24)**

- Order two Single Enthalpy Controls.
  - One is field installed in the return air section
  - One in the outdoor air section
- Allows the economizer control to select between outdoor air or return air, whichever has lower enthalpy

### **Field Installed**

#### **Outdoor Air CFM Control**

- Maintains constant outdoor air volume levels on the supply air fan and varying unit airflows
- References a velocity sensor located in the rooftop unit outdoor air section
- Lennox® CORE Unit Controller changes the economizer position to help minimize the effect of supply fan speed changes on outdoor air volume levels
- Setpoint for outdoor air volume is established by field testing

**NOTE** - Not available with Demand Control Ventilation (CO<sub>2</sub> Sensor) or Building Pressure Control.

#### **Building Pressure Control**

- Maintains constant building pressure level
- Using differential pressure information between the outdoor air and the building air, the Lennox® CORE Unit Controller changes the economizer position to help maintain a constant building pressure

**NOTE** - Not available with Demand Control Ventilation (CO<sub>2</sub> Sensor).

#### **Horizontal Barometric Relief Dampers**

- For use when unit is configured for horizontal applications with an economizer
- Allows relief of excess air
- Blade type dampers prevent blow back and outdoor air infiltration during off cycle
- Field installed in return air duct
- Outdoor air hood with filter bracket included
- Exhaust hood with bird screen furnished
- Requires Horizontal Economizer Conversion Kit

#### **Horizontal Economizer Conversion Kit**

- Insulated panel covers the bottom return air opening on the unit base to convert downflow economizer to horizontal air flow

## OPTIONS / ACCESSORIES

### **EXHAUST**

#### **Factory or Field Installed**

##### **Power Exhaust Fan**

- Installs internal to unit for downflow applications only with economizer option
- Provides exhaust air pressure relief
- Interlocked to run when supply air blower is operating
- Fan runs when outdoor air dampers are 50% open (adjustable)
- Motor is overload protected
- Fan is 16 in. diameter
- Four blades
- One 1/3 HP motor

**NOTE** - If Power Exhaust is field installed with a factory installed Economizer, the Economizer must be ordered with No Exhaust option. Barometric Relief Dampers must also be ordered separately for field installation.

**NOTE** - If Power Exhaust is factory installed with a factory installed Economizer, Barometric Relief Dampers must also be ordered separately for field installation.

### **OUTDOOR AIR**

#### **Factory or Field Installed**

##### **Motorized Outdoor Air Dampers**

- Linked mechanical dampers
- Fully modulating spring return damper motor with plug-in connection
- 0 to 25% (fixed) outdoor air adjustable
- Installs in unit
- Outdoor air hood with bird screen included

**NOTE** - Outdoor Air Hood is shipped separately in the unit with factory installed dampers for field installation.

#### **Field Installed**

##### **Manual Outdoor Air Damper**

- Adjustable slide damper
- Installed in unit
- Outdoor air hood with bird screen included

### **ROOF CURBS**

#### **Field Installed**

- Nailer strip furnished (downflow only)
- Mates to unit
- US National Roofing Contractors Approved
- Shipped knocked down

#### **Hybrid Roof Curbs, Downflow**

- Interlocking tabs fasten corners together
- No tools required
- Can also be fastened together with furnished hardware
- Available in 8, 14, 18, and 24 inch heights

#### **Adjustable Pitch Curb**

- Fully adjustable pitch curbs (3/4 in. per foot in any direction) provide a level platform for rooftop units allowing flexible installations on roofs with uneven or sloped angles
- Uses interlocking tabs to fasten corners together
- No tools required
- Hardware is furnished to connect upper curb with lower curb
- Available in 14 inch height

#### **Adaptor Curbs (not shown)**

- Curbs are regionally sourced
- Dimensions vary based upon the source

**NOTE** - Contact your local sales representative for a detailed cut sheet with applicable dimensions.

### **CEILING DIFFUSERS**

#### **Field Installed**

##### **Ceiling Diffusers (Flush or Step-Down)**

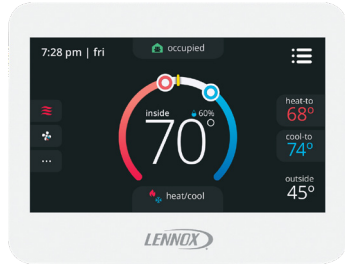
- White powder coat finish on diffuser face and grilles
- Insulated UL listed duct liner
- Diffuser box has collars for duct connection
- Step-down diffusers have double deflection blades
- Flush diffusers have fixed blades
- Provisions for suspending
- Internally sealed to prevent recirculation
- Removable return air grille
- Adapts to T-bar ceiling grids or plaster ceilings

##### **Transitions (Supply and Return)**

- Used with diffusers
- Installs in roof curb
- Galvanized steel construction
- Flanges furnished for duct connection to diffusers
- Fully insulated

## OPTIONAL CONVENTIONAL TEMPERATURE CONTROL SYSTEMS

### CS8500 Commercial 7-Day Programmable Thermostat



- Fully Communicating Sensor
- Full Color Touchscreen Interface
- Variable Speed System Control (On Compatible Units)
- Up To 4 Heat / 4 Cool
- Built-In Sensors For Temperature, Humidity And Optional CO<sub>2</sub>
- Remote Sensor Options For Occupancy, Temperature
- BACnet Capable Options
- 5-2 or 7-Day Scheduling
- Smooth Setback Recovery
- Heat/Cool Auto-Changeover
- Four-Wire Installation
- FDD, ASHRAE, IECC Compliant

### CS7500 Commercial 7-Day Programmable Thermostat



- Premium Universal Thermostat
- Full Color Touchscreen Interface
- Up To 4 Heat / 3 Cool
- Built-In Sensors For Temperature and Humidity
- Remote Sensors Options For Temperature, Discharge Air, Outdoor Air
- 5-2 or 7-Day Scheduling
- Smooth Setback Recovery
- Heat/Cool Auto-Changeover
- FDD, ASHRAE, IECC Compliant

### CS3000 Commercial 5-2 Day Programmable Thermostat



- Conventional Multi-Stage Thermostat
- Intuitive Display
- Push-Button Operation
- Up To 2 Heat / 2 Cool
- Built-In Temperature Sensor
- Remote Temperature Sensing
- Up to 5-2 Day Scheduling
- Smooth Setback Recovery
- Heat/Cool Auto-changeover

### Wired Temperature/Humidity Room Sensor (Non-Communicating)



- Terminal blocks for wiring connections
- Five-wire sensor connection
- Off-white plastic enclosure
- Non-adjustable
- Relative humidity range: 0 -100%
- +/- 3% Accuracy

## OPTIONAL CONVENTIONAL TEMPERATURE CONTROL SYSTEMS

Description	Order Number
<b>CS8500 Commercial 7 Day Programmable Thermostat</b>	
CS8500 7-Day Thermostat	No CO <sub>2</sub> Sensing <b>24K55</b>
	With CO <sub>2</sub> Sensing <b>24K53</b>
Sensors/Accessories	<sup>1</sup> Remote non-adjustable wall-mount 10k <b>47W37</b>
	<sup>1</sup> Remote non-adjustable wall-mount 11k <b>94L61</b>
<b>Sysbus Network Cable (Yellow) for CS8500 and LCS-5030 Wired Room Sensor</b>	
Twisted pair 100% shielded communication cable, Red and Black	500 ft. box <b>27M19</b>
22 AWG, yellow jacket, rated at 75°C, 300V, Plenum rated	1000 ft. box <b>94L63</b>
Insulation - Low smoke PVC, NEC, CMP	2500 ft. roll <b>68M25</b>
<b>CS7500 Commercial 7-Day Programmable Thermostat</b>	
CS7500 7-Day Thermostat	<b>24K41</b>
Sensors/Accessories	<sup>2</sup> Remote non-adjustable wall-mount 20k <b>47W36</b>
	<sup>2</sup> Remote non-adjustable wall-mount 10k <b>47W37</b>
	Remote non-adjustable discharge air (duct mount) <b>19L22</b>
	Outdoor temperature sensor <b>X2658</b>
<b>CS3000 Commercial 5-2 Day Programmable Thermostat</b>	
CS3000 5-2 Day Thermostat	<b>11Y05</b>
Sensors/Accessories	Remote non-adjustable wall mount 10k averaging <b>47W37</b>
	Thermostat wall mounting plate <b>X2659</b>
<b>Universal Thermostat Guard with Lock (clear)</b>	
	Inside Dimensions (H x W x D) 5-7/8 x 8-3/8 x 3 in. <b>39P21</b>
<b>Temperature/Humidity Room Sensor</b>	
A335MT13AE1 Wired Temperature/Humidity Room Sensor (Non-Communicating)	<b>21W06</b>

<sup>1</sup> Up to nine of the same type remote temperature sensors can be connected in parallel.

<sup>2</sup> Remote wall-mount sensors can be applied in any of the following combinations:  
 One Sensor - (1) 47W36, Two Sensors - (2) 47W37, Three Sensors - (2) 47W36 and (1) 47W37  
 Four Sensors - (4) 47W36, Five Sensors - (3) 47W36 and (2) 47W37

## SEQUENCE OF OPERATION

**Objective:** Outline the unit functions as a result of room thermostat or zone sensor demands.

**Given:** When economizer is present, it will function as initial part of the unit cooling system. When not present, unit will function as if outdoor ambient is high and sensed as not suitable.

*NOTE: When the compressor is operating at first stage, the condenser fan is operating at low speed. The condenser fan switches to high speed when the compressor switches to second stage to match operation.*

### **Modulating Outdoor Air Damper:**

Damper minimum positions #1 and 2 are adjusted during unit setup to provide minimum fresh air requirements at the indicated supply fan speeds per ASHRAE 62.1.

- Supply fan is off and the outdoor air damper is closed
- Supply fan is on low speed and the outdoor air damper is at minimum position 1
- Supply fan is on high speed and the outdoor air damper is at minimum position 2

## **COOLING**

### **<sup>1</sup> Unit Features an Economizer and Outdoor Air is Suitable**

#### **Thermostat or Zone Sensor Mode (Up to 3 stages Y1, Y2, Y3)**

##### **Y1 Demand:**

Compressor is off, supply fan is on low speed, economizer modulates (minimum to maximum open position) to maintain 55°F supply air temperature (default unit controller setting)

After 5 minutes (default unit controller setting), supply fan switches to high speed. Economizer continues modulating with supply fan on high speed to maintain 55°F supply air temperature

##### **Y2 Demand:**

Compressor is off, supply fan is on high speed, and economizer modulates to maintain 55°F supply air temperature

Economizer opens to maximum. If economizer stays at maximum open for 3 minutes (default unit controller setting) compressor is energized and operates at first stage while supply fan stays on high speed

<sup>1</sup> Outdoor air suitability is determined by the energy state of outdoor ambient (enthalpy or sensible) and its ability to achieve the desired free cooling effects. Outdoor air suitability can also be determined by a third party controller and provided to the RTU via a network connection.

##### **Y3 Demand:**

Economizer is at maximum open and compressor operates at first stage. If economizer stays at maximum open for 3 minutes (default unit controller setting) compressor switches to second stage operation while supply fan stays on high speed

### **Unit Does Not Feature an Economizer (or Outdoor Air Is Not Suitable)**

#### **Thermostat or Zone Sensor (Up to 2 stages Y1, Y2)**

##### **Y1 Demand:**

Compressor operates at first stage and supply fan operates at low speed

##### **Y2 Demand:**

Compressor operates at second stage and supply fan operates at high speed

## SEQUENCE OF OPERATION

### HEATING

*NOTE - Reversing valve (L1) is de-energized in heating mode.*

*NOTE - No Mechanical Heating is allowed during Gas Heat operation.*

#### **Thermostat or Zone Sensor (Up to 2 stages W1, W2)**

##### **W1 Demand:**

A first-stage heating demand (W1) will activate the Lennox® CORE Unit Controller to check the Outdoor Air Temperature and Balance Point (default is 35°F). User adjustable from 10°F to 76°F.

If Outdoor Air Temperature is more than the Balance Point the controller will enable Mechanical Heating.

Mechanical Heating - Compressor operates at full load, reversing valve is de-energized, outdoor fan operates on high speed and supply fan operates at Heating Speed.

If Outdoor Air Temperature is less than the Balance Point the controller will lock out Mechanical Heating and will enable gas heat only. Gas valve is open on stage 2 and supply fan operates at Heating Speed.

##### **W2 Demand:**

Mechanical Heating is disabled and High Gas Heating is enabled to meet the heating demand.

### DEFROST

Coil Sensor (RT48) and Ambient Sensor (RT17) provides input to the Lennox® CORE Unit Controller to initiate a defrost cycle if needed.

Coil sensor is located on a return bend on the front of the outdoor coil.

Ambient sensor is located on the inside of the corner mullion on the back of the outdoor coil section.

If the coil sensor measures a temperature below 35°F during mechanical heating mode, defrost logic is enabled. The system will constantly monitor coil and ambient temperatures and will initiate a defrost cycle if the controller determines that the target temperature difference between the coil and ambient temperature has been satisfied, or when the accumulated run time with coil temperature below 35°F reaches 6 hours.

If the ambient sensor fails, or the circuit is in uncalibrated state, the controller will switch to time/temperature defrost operation.

Gas heating is energized during a defrost cycle to maintain discharge air temperature.

## OPTIONS / ACCESSORIES

Item	Order Number	Size				
		036	048	060	072	
<b>COOLING SYSTEM</b>						
Condensate Drain Trap	PVC	<b>22H54</b>	X	X	X	X
	Copper	<b>76W27</b>	X	X	X	X
Drain Pan Overflow Switch		<b>21Z07</b>	OX	OX	OX	OX
<b>HEATING SYSTEM</b>						
Combustion Air Intake Extensions		<b>19W51</b>	X	X	X	X
Gas Heat (Low NOx) Input	Standard Two-Stage- 53/65 kBtuh input	Factory	O	O	O	O
	Medium Two-Stage - 81/108 kBtuh input	Factory	O	O	O	O
	High Two-Stage - 113/150 kBtuh input	Factory		O	O	O
Low Temperature Vestibule Heater	208/230V-1 or 3ph	<b>21Z17</b>	X	X	X	X
	460V-3ph	<b>21Z18</b>	X	X	X	X
	575V-3ph	<b>21Z19</b>	X	X	X	X
LPG/Propane Conversion Kits	For two-stage standard models	<b>21Z24</b>	X	X	X	X
	For two-stage medium and high models	<b>21Z23</b>	X	X	X	X
Stainless Steel Heat Exchanger		Factory	O	O	O	O
Vertical Vent Extension		<b>31W62</b>	X	X	X	X
<b>BLOWER - SUPPLY AIR</b>						
Motors - Standard Static (All voltages)	Direct Drive ECM Blower - 0.50 HP	Factory	O			
	1.0 HP	Factory		O	O	
Motors - High Static (3 phase only)	DirectPlus™ Direct Drive ECM Blower System - 1.5 HP	Factory	O	O	O	O
<b>CABINET</b>						
Combination Coil/Hail Guards		<b>13T03</b>	OX	OX	OX	OX
Corrosion Protection		Factory	O	O	O	O
<b>CONTROLS</b>						
Blower Proving Switch		<b>21Z10</b>	OX	OX	OX	OX
Commercial Controls	LonTalk® Module	<b>54W27</b>	OX	OX	OX	OX
	Novar® LSE	Field	X	X	X	X
Dirty Filter Switch		<b>53W66</b>	OX	OX	OX	OX
Fresh Air Tempering		<b>21Z08</b>	OX	OX	OX	OX
Smoke Detector - Supply or Return (Power board and one sensor)		<b>21Z11</b>	OX	OX	OX	OX
Smoke Detector - Supply and Return (Power board and two sensors)		<b>21Z12</b>	OX	OX	OX	OX

NOTE - Order Numbers shown are for ordering field installed accessories.  
OX - Configure To Order (Factory Installed) or Field Installed  
O = Configure To Order (Factory Installed)  
X = Field Installed



## OPTIONS / ACCESSORIES

Item	Order Number	Size				
		036	048	060	072	
<b>ELECTRICAL</b>						
Voltage	208/230V - 1 phase	Factory	O	O	O	
60 Hz	208/230V - 3 phase	Factory	O	O	O	O
	460V - 3 phase	Factory	O	O	O	O
	575V - 3 phase	Factory	O	O	O	O
HACR Circuit Breakers		Factory	O	O	O	O
<sup>1</sup> Short-Circuit Current Rating (SCCR) of 100kA (includes Phase/Voltage Detection)		Factory	O	O	O	O
Disconnect Switch	80 amp	<b>22A25</b>	O	O	O	O
GFI Service Outlets	15 amp non-powered, field-wired (208/230V, 460V only)	<b>74M70</b>	OX	OX	OX	OX
	15 amp factory-wired and powered (208/230V, 460V only)	Factory	O	O	O	O
	<sup>2</sup> 20 amp non-powered, field-wired (208/230V, 460V, 575V)	<b>67E01</b>	X	X	X	X
	<sup>2</sup> 20 amp non-powered, field-wired (575V)	Factory	O	O	O	O
Weatherproof Cover for GFI		<b>10C89</b>	X	X	X	X
Phase/Voltage Detection - 3 Phase Models Only		Factory	O	O	O	O
<b>ECONOMIZER</b>						
<b>High Performance Economizer With Outdoor Air Hood (Sensible Control)</b> (Approved for California Title 24 Building Standards / AMCA Class 1A Certified)						
High Performance Economizer - Includes Barometric Relief Dampers and Combination Hood		<b>20H48</b>	OX	OX	OX	OX
High Performance Economizer - No Exhaust Option		Factory	O	O	O	O
<b>Economizer Accessories</b>						
Horizontal Economizer Conversion Kit		<b>17W45</b>	X	X	X	X
<b>Economizer Controls (Not for Title 24)</b>						
Differential Enthalpy	Order 2	<b>21Z09</b>	OX	OX	OX	OX
Sensible Control	Sensor is Furnished	Factory	O	O	O	O
Outdoor Air CFM Control		<b>13J76</b>	X	X	X	X
Single Enthalpy		<b>21Z09</b>	OX	OX	OX	OX
Global Control	Sensor Field Provided	Factory	O	O	O	O
Building Pressure Control		<b>13J77</b>	X	X	X	X
<b>POWER EXHAUST FAN</b>						
Standard Static	208/230V-1 or 3ph	<b>21Z13</b>	OX	OX	OX	
<i>NOTE - Factory or Field installed Power Exhaust Fan requires "Barometric Relief Dampers for Power Exhaust Kit (21Z21)" for field installation.</i>	460V-3ph	<b>21Z14</b>	OX	OX	OX	
	575V-3ph	<b>21Z15</b>	OX	OX	OX	
<b>BAROMETRIC RELIEF</b>						
<sup>3</sup> Barometric Relief Dampers for Power Exhaust Kit		<b>21Z21</b>	X	X	X	X
<sup>4</sup> Horizontal Barometric Relief Dampers With Outdoor Air and Exhaust Hood		<b>19F01</b>	X	X	X	X
<b>OUTDOOR AIR</b>						
<b>Outdoor Air Dampers With Outdoor Air Hood</b>						
Motorized		<b>15D17</b>	OX	OX	OX	OX
Manual		<b>15D18</b>	X	X	X	X

<sup>1</sup> Disconnect Switch is furnished and factory installed with High SCCR option.

<sup>2</sup> Canada requires a minimum 20 amp circuit. Select 20 amp, non-powered, field wired GFI.

<sup>3</sup> Required when Economizer is factory installed with factory installed Power Exhaust Fan option.

<sup>4</sup> Required when Economizer is configured for horizontal airflow.

NOTE - Order Numbers shown are for ordering field installed accessories.

OX = Configure To Order (Factory Installed) or Field Installed

O = Configure To Order (Factory Installed)

X = Field Installed

## OPTIONS / ACCESSORIES

Item	Order Number	Size				
		036	048	060	072	
<b>INDOOR AIR QUALITY</b>						
<b>Air Filters</b>						
Healthy Climate® High Efficiency Air Filters 20 x 20 x 2 in.	MERV 8 (Order 4)	<b>54W21</b>	OX	OX	OX	OX
	MERV 13 (Order 4)	<b>52W39</b>	OX	OX	OX	OX
	MERV 16 (Order 4)	<b>21U40</b>	X	X	X	X
Replaceable Media Filter With Metal Mesh Frame (includes non-pleated filter media)	20 x 20 x 2 in. (Order 4)	<b>44N60</b>	X	X	X	X
<b>Indoor Air Quality (CO<sub>2</sub>) Sensors</b>						
Sensor - Wall-mount, off-white plastic cover with LCD display		<b>24C58</b>	X	X	X	X
Sensor - Wall-mount, off-white plastic cover, no display		<b>23V86</b>	X	X	X	X
Sensor - Black plastic case, LCD display, rated for plenum mounting		<b>87N52</b>	X	X	X	X
Sensor - Black plastic case, no display, rated for plenum mounting		<b>23V87</b>	X	X	X	X
CO <sub>2</sub> Sensor Duct Mounting Kit - for downflow applications		<b>23Y47</b>	X	X	X	X
Aspiration Box - for duct mounting non-plenum rated CO <sub>2</sub> sensors ( <b>24C58</b> )		<b>90N43</b>	X	X	X	X
<b>Needlepoint Bipolar Ionization (NPBI)</b>						
Needlepoint Bipolar Ionization (NPBI) Kit		<b>22U14</b>	X	X	X	X
<b>UVC Germicidal Lamps</b>						
<sup>5</sup> Healthy Climate® UVC Light Kit (110/230V-1ph)		<b>21A92</b>	X	X	X	X
Step-Down Transformers	460V primary, 230V secondary	<b>10H20</b>	X	X	X	X
	575V primary, 230V secondary	<b>10H21</b>	X	X	X	X
<b>ROOF CURBS</b>						
<b>Hybrid Roof Curbs, Downflow</b>						
8 in. height		<b>11F50</b>	X	X	X	X
14 in. height		<b>11F51</b>	X	X	X	X
18 in. height		<b>11F52</b>	X	X	X	X
24 in. height		<b>11F53</b>	X	X	X	X
<b>Adjustable Pitched Curb</b>						
14 in. height		<b>43W27</b>	X	X	X	X
<b>Transition Curb</b>						
Matches Enlight 036-072 Units to existing L Series® Curbs		<b>31B05</b>	X	X	X	X
<b>CEILING DIFFUSERS</b>						
Step-Down - Order one	RTD11-95S	<b>13K61</b>	X	X	X	X
Flush - Order one	FD11-95S	<b>13K56</b>	X	X	X	X
Transitions (Supply and Return) - Order one	T1TRAN20N-1	<b>17W54</b>	X	X	X	X

<sup>5</sup> Lamps operate on 110-230V single-phase power supply. Step-down transformer may be ordered separately for 460V and 575V units. Alternately, 110V power supply may be used to directly power the UVC ballast(s).

NOTE - Order Numbers shown are for ordering field installed accessories.

OX - Configure To Order (Factory Installed) or Field Installed

O = Configure To Order (Factory Installed)

X = Field Installed

## SPECIFICATIONS

Model	LDT036H5E	LDT048H5E	LDT060H5E	LDT072H5E	
<b>Nominal Tonnage</b>	3	4	5	6	
<b>Efficiency Type</b>	High	High	High	High	
<b>Blower Type</b>	MSAV® ECM Direct Drive	MSAV® ECM Direct Drive	MSAV® ECM Direct Drive	MSAV® ECM Direct Drive	
<b>Cooling Performance</b>	Gross Cooling Capacity (Btuh)	38,000	46,800	60,000	
	<sup>1</sup> Net Cooling Capacity (Btuh)	35,600	44,500	57,000	
	<sup>1</sup> AHRI Rated Air Flow (cfm-high/low)	1400/935	1400/1100	1800/1300	
	<sup>1</sup> SEER2 (Btuh/Watt)	16.0	15.6	15.2	
	<sup>1</sup> EER2 (Btuh/Watt)	12.2	12.0	11.8	
	<sup>1</sup> IEER (Btuh/Watt)	---	---	---	
	<sup>1</sup> EER (Btuh/Watt)	---	---	---	
	Total Unit Power (kW)	2.9	3.7	4.7	
<b>Heating Performance</b>	<sup>1</sup> Total High Heating Capacity (Btuh)	34,000	44,000	57,000	
	<sup>1</sup> AHRI Rated Air Flow (cfm)	1400/935	1400/1100	1800/1300	
	<sup>1</sup> HSPF2 (Region IV)	7.2	7.2	7.2	
	HSPF2 (Region V)	5.7	5.9	5.8	
	<sup>1</sup> COP	3.5	3.5	3.5	
		Total Unit Power (kW)	2.8	3.7	4.8
	<sup>1</sup> Total Low Heating Capacity (Btuh)	19,000	25,000	33,000	
	<sup>1</sup> COP	2.1	2.1	2.2	
	Total Unit Power (kW)	2.7	3.3	4.2	
<b>Sound Rating Number</b>	dBA	75	75	82	
<b>Refrigerant</b>	Refrigerant Type	R-454B	R-454B	R-454B	
		13 lbs. 9 oz.	13 lbs. 15 oz.	16 lbs. 2 oz.	
<b>Gas Heat Available</b>	See page 20				
<b>Compressor Type (Number)</b>	Two-Stage Scroll (1)				
<b>Outdoor Coil</b>	Net face area - ft. <sup>2</sup>	19.3	19.3	19.3	
	Tube Diameter - in.	3/8	3/8	3/8	
	Rows	2	2	3	
	Fins - in.	20	20	20	
<b>Outdoor Fan</b>	Motor HP (number and type)	1/3 (1 ECM)	1/3 (1 ECM)	1/3 (1 ECM)	
	Rpm	850/575	850/700	945/725	
	Watts	70-240	140-240	140-310	
	Diameter (Number) - in.	(1) 24	(1) 24	(1) 24	
	Blades	3	3	3	
		Total air volume - cfm	4060/2740	4060/3330	4400/3550
<b>Indoor Coil</b>	Net face area - ft. <sup>2</sup>	9.7	9.7	9.7	
	Tube Diameter - in.	3/8	3/8	3/8	
	Rows	3	3	4	
	Fins - in.	14	14	14	
	Condensate drain size (NPT) - in.	(1) 1	(1) 1	(1) 1	
		Expansion device type	Balanced Port Thermostatic Expansion Valve		
<b>Indoor Blower</b>	Standard Blower type	Direct Drive ECM			
	Static Blade type	Forward Curved			
	(All Voltages) Nominal motor HP	0.50	1	1	
	Wheel (Number) diameter x width - in.	(1) 10 X 10	(1) 11 X 10	(1) 11 X 10	
	High Blower type	DirectPlus™ Direct Drive ECM			
	Static Blade type	Backward Curved			
	(3ph Only) Nominal motor HP	1.5	1.5	1.5	
	Wheel (Number) diameter x width - in.	(1) 14 X 5	(1) 14 X 5	(1) 14 X 5	
<b>Filters</b>	Type	MERV 4, Disposable			
	Number and size - in.	(4) 20 x 20 x 2			
<b>Line voltage data (Volts-Phase-Hz)</b>		208/230-1-60 208/230-3-60 460-3-60 575-3-60		208/230-3-60 460-3-60 575-3-60	

NOTE - Net capacity includes evaporator blower motor heat deduction. Gross capacity does not include evaporator blower motor heat deduction.

<sup>1</sup> AHRI Certified to AHRI Standard 210/240 (3-5 ton) or 340/360 (6 ton):

**Cooling Ratings** - 95°F outdoor air temperature and 80°F db/67°F wb entering indoor coil air.

**High Temperature Heating Ratings** - 47°F db/43°F wb outdoor air temperature and 70°F entering indoor coil air.

**Low Temperature Heating Ratings** - 17°F db/15°F wb outdoor air temperature and 70°F entering indoor coil air.

## SPECIFICATIONS

## LOW NOX GAS HEAT

Model		036, 048, 060	036, 048, 060, 072	036, 048, 060, 072	048, 060, 072
<b>Heat Input Type</b>		<b>Standard (2 Stage)</b>		<b>Medium (2 Stage)</b>	<b>High (2 Stage)</b>
Input Btuh	1st Stage	53,000		81,000	113,000
	2nd Stage	65,000		108,000	150,000
Output Btuh	1st Stage	43,000		66,000	92,000
	2nd Stage	52,000		87,000	121,000
Temperature Rise Range - °F	1st stage	5-35		25 - 55	30 - 60
	2nd Stage	35-65 (0.5 and 1 HP)	15-45 (1.5 HP)	30 - 70	45 - 75
Minimum air volume - cfm		960	1075	1150	1500
<sup>1</sup> AFUE (Single Phase)		81%		81%	81%
<sup>2</sup> Thermal Efficiency (Three Phase)		81%		81%	81%
Gas Supply Connections		1/2 in. NPT			
Recommended Gas Supply Pressure - Nat. / LPG		7 in. w.g. / 11 in. w.g.			
Gas Supply Pressure Range	Min./Max. (Natural)	4.5 - 10.5 in. w.g.			
	Min./Max. (LPG)	10.8 - 13.5 in. w.g.			

<sup>1</sup> Annual Fuel Utilization Efficiency based on U.S. DOE test procedures and FTC labeling regulations.

<sup>2</sup> Thermal Efficiency at full input.

## HIGH ALTITUDE DERATE

**NOTE** - Units may be installed at altitudes up to 2000 feet above sea level without any modifications.

At altitudes above 2000 feet units must be derated to match gas manifold pressures shown in table below.

At altitudes above 4500 feet unit must be derated 2% for each 1000 feet above sea level.

**NOTE** - This is the only permissible derate for these units.

Refer to the Installation Instructions for more detailed information.

Heat Input Type	Altitude Feet	Gas Manifold Pressure in. w.g.		Input Rate (Btuh)
		Natural Gas	LPG/ Propane	
Standard (2 stage)	2001 - 4500	1.6 / 3.4	4.4 / 9.7	51,000 / 62,000
Medium (2 stage)	2001 - 4500	1.6 / 3.4	4.4 / 9.7	78,000 / 104,000
High (2 stage)	2001 - 4500	1.6 / 3.4	4.4 / 9.7	108,000 / 144,000

# COOLING / HEATING RATINGS

NOTE - For Temperatures and Capacities not shown in tables, see bulletin - Cooling Unit Rating Table Correction Factor Data in Miscellaneous Product Data section.

## 3 TON COOLING LDT036H5E (PART LOAD)

Entering Wet Bulb Temperature	Total Air Volume	Outdoor Air Temperature Entering Outdoor Coil																			
		65°F					75°F					85°F					95°F				
		Total Cool Cap.	Comp. Motor Input	Sensible To Total Ratio (S/T)			Total Cool Cap.	Comp. Motor Input	Sensible To Total Ratio (S/T)			Total Cool Cap.	Comp. Motor Input	Sensible To Total Ratio (S/T)			Total Cool Cap.	Comp. Motor Input	Sensible To Total Ratio (S/T)		
				Dry Bulb					Dry Bulb					Dry Bulb					Dry Bulb		
cfm	kBtuh	kW	75°F	80°F	85°F	kBtuh	kW	75°F	80°F	85°F	kBtuh	kW	75°F	80°F	85°F	kBtuh	kW	75°F	80°F	85°F	
63°F	640	26.1	1.12	0.67	0.8	0.94	24.1	1.29	0.67	0.81	0.96	22	1.47	0.67	0.83	1	19.9	1.67	0.68	0.85	1
	800	28	1.11	0.72	0.88	1	25.9	1.28	0.73	0.9	1	23.7	1.46	0.74	0.94	1	21.3	1.66	0.75	0.98	1
	960	29.4	1.1	0.77	0.96	1	27.3	1.27	0.79	0.99	1	25.1	1.45	0.81	1	1	22.9	1.65	0.84	1	1
67°F	640	28.1	1.11	0.53	0.65	0.77	26	1.28	0.52	0.65	0.78	23.9	1.46	0.52	0.66	0.79	21.5	1.66	0.51	0.66	0.81
	800	30.1	1.1	0.57	0.7	0.84	28	1.26	0.57	0.71	0.87	25.6	1.45	0.56	0.72	0.9	23.1	1.65	0.55	0.73	0.93
	960	31.6	1.09	0.6	0.76	0.92	29.3	1.26	0.6	0.77	0.95	26.8	1.44	0.6	0.79	0.99	24.2	1.64	0.6	0.81	1
71°F	640	30.1	1.1	0.41	0.53	0.63	28	1.27	0.4	0.52	0.63	25.8	1.45	0.38	0.51	0.64	23.3	1.65	0.36	0.5	0.64
	800	32.2	1.09	0.43	0.56	0.68	29.9	1.25	0.42	0.56	0.69	27.4	1.44	0.4	0.56	0.7	25	1.64	0.39	0.56	0.72
	960	33.7	1.08	0.45	0.6	0.73	31.3	1.24	0.44	0.6	0.75	28.7	1.43	0.43	0.6	0.77	26.1	1.63	0.42	0.61	0.79

## 3 TON COOLING LDT036H5E (FULL LOAD)

Entering Wet Bulb Temperature	Total Air Volume	Outdoor Air Temperature Entering Outdoor Coil																			
		85°F					95°F					105°F					115°F				
		Total Cool Cap.	Comp. Motor Input	Sensible To Total Ratio (S/T)			Total Cool Cap.	Comp. Motor Input	Sensible To Total Ratio (S/T)			Total Cool Cap.	Comp. Motor Input	Sensible To Total Ratio (S/T)			Total Cool Cap.	Comp. Motor Input	Sensible To Total Ratio (S/T)		
				Dry Bulb					Dry Bulb					Dry Bulb					Dry Bulb		
cfm	kBtuh	kW	75°F	80°F	85°F	kBtuh	kW	75°F	80°F	85°F	kBtuh	kW	75°F	80°F	85°F	kBtuh	kW	75°F	80°F	85°F	
63°F	960	34.8	1.98	0.69	0.84	1	32	2.23	0.7	0.87	1	29	2.52	0.71	0.9	1	26.2	2.85	0.73	0.94	1
	1200	36.9	2	0.75	0.95	1	34	2.25	0.77	0.98	1	31.3	2.53	0.79	1	1	28.5	2.86	0.83	1	1
	1440	38.9	2.01	0.82	1	1	36.4	2.27	0.85	1	1	33.6	2.55	0.89	1	1	30.6	2.88	0.93	1	1
67°F	960	37.1	2	0.53	0.67	0.81	34.3	2.25	0.53	0.68	0.83	31.6	2.54	0.53	0.69	0.86	28.3	2.86	0.53	0.71	0.9
	1200	39.4	2.02	0.58	0.73	0.91	36.4	2.27	0.58	0.75	0.94	33.3	2.55	0.58	0.77	0.98	30.1	2.88	0.59	0.8	1
	1440	41.2	2.03	0.62	0.8	1	38	2.28	0.62	0.82	1	34.7	2.56	0.63	0.86	1	31.2	2.89	0.65	0.9	1
71°F	960	39.7	2.02	0.4	0.53	0.65	37	2.27	0.39	0.53	0.66	33.8	2.55	0.38	0.53	0.67	30.8	2.88	0.36	0.52	0.69
	1200	42	2.04	0.42	0.57	0.71	39	2.29	0.42	0.58	0.73	35.8	2.57	0.41	0.58	0.75	32.4	2.9	0.4	0.59	0.78
	1440	43.7	2.06	0.45	0.61	0.78	40.6	2.3	0.44	0.62	0.81	37.3	2.58	0.43	0.63	0.83	33.7	2.91	0.43	0.65	0.88

## 3 TON HEATING LDT036H5E

Indoor Coil Air Volume 70°F Dry Bulb cfm	Air Temperature Entering Outdoor Coil									
	65°F		45°F		25°F		5°F		-15°F	
	Total Heating Capacity	Comp. Motor Input	Total Heating Capacity	Comp. Motor Input	Total Heating Capacity	Comp. Motor Input	Total Heating Capacity	Comp. Motor Input	Total Heating Capacity	Comp. Motor Input
	kBtuh	kW	kBtuh	kW	kBtuh	kW	kBtuh	kW	kBtuh	kW
960	41.6	2.49	31.8	2.36	21.9	2.23	13.4	2.00	6.6	1.50
1200	42.4	2.30	32.6	2.17	22.7	2.04	14.2	1.82	7.4	1.32
1440	43.2	2.19	33.4	2.06	23.5	1.93	14.9	1.71	8.2	1.21

# COOLING / HEATING RATINGS

NOTE - For Temperatures and Capacities not shown in tables, see bulletin - Cooling Unit Rating Table Correction Factor Data in Miscellaneous Product Data section.

## 4 TON COOLING LDT048H5E (PART LOAD)

Entering Wet Bulb Temperature	Total Air Volume	Outdoor Air Temperature Entering Outdoor Coil																							
		65°F						75°F						85°F						95°F					
		Total Cool Cap.	Comp. Motor Input	Sensible To Total Ratio (S/T)			Total Cool Cap.	Comp. Motor Input	Sensible To Total Ratio (S/T)			Total Cool Cap.	Comp. Motor Input	Sensible To Total Ratio (S/T)			Total Cool Cap.	Comp. Motor Input	Sensible To Total Ratio (S/T)						
				Dry Bulb					Dry Bulb					Dry Bulb					Dry Bulb						
cfm	kBtuh	kW	75°F	80°F	85°F	kBtuh	kW	75°F	80°F	85°F	kBtuh	kW	75°F	80°F	85°F	kBtuh	kW	75°F	80°F	85°F					
63°F	895	35.9	1.44	0.68	0.82	0.96	33.5	1.69	0.69	0.83	0.99	30.8	1.97	0.69	0.86	1	28.2	2.3	0.71	0.89	1				
	1120	38.3	1.43	0.73	0.9	1	35.6	1.68	0.75	0.93	1	32.9	1.97	0.76	0.96	1	30.3	2.29	0.78	1	1				
	1345	40.1	1.41	0.79	0.99	1	37.4	1.67	0.81	1	1	34.9	1.95	0.83	1	1	32.4	2.28	0.86	1	1				
67°F	895	38.5	1.42	0.54	0.66	0.78	35.8	1.68	0.54	0.67	0.8	33.2	1.96	0.54	0.67	0.81	30.4	2.29	0.53	0.68	0.84				
	1120	40.7	1.41	0.58	0.72	0.87	38.1	1.66	0.58	0.73	0.89	35.4	1.95	0.58	0.74	0.92	32.5	2.28	0.58	0.75	0.96				
	1345	42.6	1.4	0.61	0.77	0.95	39.9	1.65	0.62	0.79	0.98	37	1.94	0.62	0.81	1	33.9	2.28	0.63	0.84	1				
71°F	895	40.8	1.41	0.41	0.53	0.64	38.3	1.66	0.41	0.53	0.65	35.6	1.95	0.4	0.53	0.66	32.9	2.28	0.39	0.53	0.66				
	1120	43.5	1.4	0.44	0.57	0.7	40.7	1.65	0.43	0.57	0.71	37.8	1.94	0.42	0.57	0.72	34.9	2.27	0.41	0.57	0.74				
	1345	45.2	1.38	0.46	0.61	0.75	42.4	1.63	0.45	0.61	0.77	39.5	1.92	0.44	0.62	0.78	36.5	2.26	0.44	0.63	0.82				

## 4 TON COOLING LDT048H5E (FULL LOAD)

Entering Wet Bulb Temperature	Total Air Volume	Outdoor Air Temperature Entering Outdoor Coil																							
		85°F						95°F						105°F						115°F					
		Total Cool Cap.	Comp. Motor Input	Sensible To Total Ratio (S/T)			Total Cool Cap.	Comp. Motor Input	Sensible To Total Ratio (S/T)			Total Cool Cap.	Comp. Motor Input	Sensible To Total Ratio (S/T)			Total Cool Cap.	Comp. Motor Input	Sensible To Total Ratio (S/T)						
				Dry Bulb					Dry Bulb					Dry Bulb					Dry Bulb						
cfm	kBtuh	kW	75°F	80°F	85°F	kBtuh	kW	75°F	80°F	85°F	kBtuh	kW	75°F	80°F	85°F	kBtuh	kW	75°F	80°F	85°F					
63°F	1280	45.5	2.7	0.71	0.86	1	42.7	3.05	0.72	0.88	1	39.2	3.44	0.73	0.91	1	35.6	3.88	0.74	0.95	1				
	1600	48.5	2.72	0.77	0.95	1	45.2	3.07	0.78	0.98	1	41.9	3.46	0.81	1	1	38.4	3.91	0.84	1	1				
	1920	50.6	2.74	0.84	1	1	47.6	3.09	0.86	1	1	44.4	3.48	0.89	1	1	41	3.93	0.93	1	1				
67°F	1280	48.8	2.72	0.55	0.68	0.82	45.5	3.07	0.56	0.69	0.85	42.2	3.46	0.56	0.71	0.87	38.4	3.91	0.56	0.73	0.91				
	1600	51.4	2.74	0.59	0.75	0.91	47.9	3.09	0.6	0.76	0.95	44.3	3.48	0.6	0.79	0.99	40.6	3.93	0.61	0.82	1				
	1920	53.4	2.75	0.63	0.81	1	49.6	3.1	0.64	0.84	1	45.8	3.49	0.65	0.88	1	41.8	3.94	0.67	0.91	1				
71°F	1280	51.6	2.74	0.41	0.54	0.67	48.3	3.09	0.41	0.54	0.68	44.9	3.48	0.4	0.55	0.69	40.9	3.93	0.39	0.55	0.71				
	1600	54.5	2.76	0.43	0.58	0.73	50.7	3.11	0.43	0.59	0.75	46.9	3.5	0.43	0.6	0.76	43.1	3.95	0.42	0.61	0.79				
	1920	56.3	2.77	0.46	0.63	0.79	52.7	3.12	0.46	0.64	0.82	48.8	3.51	0.45	0.64	0.85	44.8	3.96	0.45	0.67	0.89				

## 4 TON HEATING LDT048H5E

Indoor Coil Air Volume 70°F Dry Bulb cfm	Air Temperature Entering Outdoor Coil									
	65°F		45°F		25°F		5°F		-15°F	
	Total Heating Capacity	Comp. Motor Input	Total Heating Capacity	Comp. Motor Input	Total Heating Capacity	Comp. Motor Input	Total Heating Capacity	Comp. Motor Input	Total Heating Capacity	Comp. Motor Input
	kBtuh	kW	kBtuh	kW	kBtuh	kW	kBtuh	kW	kBtuh	kW
1280	55.0	3.11	41.7	2.92	28.2	2.72	16.9	2.43	8.4	1.82
1600	56.3	2.90	43.0	2.71	29.5	2.52	18.2	2.23	9.6	1.62
1920	57.5	2.77	44.1	2.58	30.7	2.39	19.4	2.10	10.8	1.49

# COOLING / HEATING RATINGS

NOTE - For Temperatures and Capacities not shown in tables, see bulletin - Cooling Unit Rating Table Correction Factor Data in Miscellaneous Product Data section.

## 5 TON COOLING LDT060H5E (PART LOAD)

Entering Wet Bulb Temperature	Total Air Volume	Outdoor Air Temperature Entering Outdoor Coil																			
		65°F					75°F					85°F					95°F				
		Total Cool Cap.	Comp. Motor Input	Sensible To Total Ratio (S/T)			Total Cool Cap.	Comp. Motor Input	Sensible To Total Ratio (S/T)			Total Cool Cap.	Comp. Motor Input	Sensible To Total Ratio (S/T)			Total Cool Cap.	Comp. Motor Input	Sensible To Total Ratio (S/T)		
				Dry Bulb					Dry Bulb					Dry Bulb					Dry Bulb		
cfm	kBtuh	kW	75°F	80°F	85°F	kBtuh	kW	75°F	80°F	85°F	kBtuh	kW	75°F	80°F	85°F	kBtuh	kW	75°F	80°F	85°F	
63°F	1080	45	1.84	0.67	0.81	0.97	42.2	2.16	0.67	0.82	1	38.9	2.51	0.68	0.85	1	35.5	2.91	0.7	0.89	1
	1350	47.8	1.83	0.72	0.9	1	44.6	2.15	0.73	0.93	1	41.3	2.5	0.75	0.97	1	38.3	2.9	0.78	1	1
	1620	49.5	1.82	0.78	1	1	46.7	2.14	0.8	1	1	44.1	2.49	0.83	1	1	40.7	2.89	0.87	1	1
67°F	1080	48.1	1.82	0.53	0.65	0.77	45.3	2.14	0.54	0.66	0.78	42.3	2.5	0.54	0.67	0.81	38.8	2.89	0.54	0.67	0.84
	1350	51.1	1.81	0.57	0.7	0.86	48	2.13	0.57	0.71	0.89	44.6	2.49	0.58	0.73	0.92	41	2.89	0.58	0.75	0.97
	1620	53.1	1.8	0.6	0.76	0.95	50	2.12	0.61	0.78	0.99	46.4	2.48	0.61	0.81	1	42.7	2.88	0.62	0.84	1
71°F	1080	51.6	1.81	0.42	0.52	0.63	48.7	2.13	0.41	0.52	0.63	45.5	2.49	0.4	0.52	0.65	42	2.88	0.39	0.53	0.65
	1350	54.7	1.79	0.43	0.56	0.68	51.5	2.12	0.43	0.57	0.69	48	2.48	0.42	0.56	0.71	44.4	2.87	0.42	0.57	0.73
	1620	56.7	1.78	0.45	0.59	0.73	53.5	2.11	0.45	0.6	0.75	50	2.47	0.44	0.61	0.78	46.1	2.87	0.44	0.62	0.81

## 5 TON COOLING LDT060H5E (FULL LOAD)

Entering Wet Bulb Temperature	Total Air Volume	Outdoor Air Temperature Entering Outdoor Coil																			
		85°F					95°F					105°F					115°F				
		Total Cool Cap.	Comp. Motor Input	Sensible To Total Ratio (S/T)			Total Cool Cap.	Comp. Motor Input	Sensible To Total Ratio (S/T)			Total Cool Cap.	Comp. Motor Input	Sensible To Total Ratio (S/T)			Total Cool Cap.	Comp. Motor Input	Sensible To Total Ratio (S/T)		
				Dry Bulb					Dry Bulb					Dry Bulb					Dry Bulb		
cfm	kBtuh	kW	75°F	80°F	85°F	kBtuh	kW	75°F	80°F	85°F	kBtuh	kW	75°F	80°F	85°F	kBtuh	kW	75°F	80°F	85°F	
63°F	1650	59.2	3.59	0.7	0.87	1	55.5	4.04	0.72	0.9	1	51.2	4.54	0.73	0.94	1	46.5	5.12	0.76	1	1
	2000	61.6	3.62	0.76	0.97	1	57.6	4.06	0.78	1	1	53.8	4.57	0.81	1	1	49.8	5.16	0.86	1	1
	2400	65	3.66	0.84	1	1	61.1	4.11	0.87	1	1	57.2	4.62	0.91	1	1	52.7	5.2	0.96	1	1
67°F	1650	63.1	3.64	0.55	0.68	0.83	59.1	4.08	0.55	0.7	0.86	54.9	4.59	0.56	0.71	0.9	50.4	5.17	0.57	0.74	0.95
	2000	66.1	3.67	0.59	0.74	0.93	61.9	4.12	0.59	0.76	0.97	57.1	4.61	0.6	0.79	1	52.3	5.19	0.62	0.83	1
	2400	68.4	3.7	0.62	0.81	1	63.8	4.14	0.64	0.84	1	59.1	4.64	0.64	0.89	1	54	5.22	0.68	0.94	1
71°F	1650	67.8	3.69	0.41	0.54	0.66	63.6	4.14	0.41	0.55	0.68	59.2	4.64	0.41	0.55	0.7	54.2	5.22	0.41	0.56	0.72
	2000	70.8	3.73	0.43	0.57	0.72	66	4.17	0.43	0.58	0.74	61.4	4.67	0.43	0.59	0.76	56	5.24	0.43	0.61	0.8
	2400	72.7	3.75	0.45	0.62	0.79	68.2	4.2	0.46	0.64	0.82	63.2	4.7	0.46	0.65	0.86	58	5.27	0.47	0.66	0.91

## 5 TON HEATING LDT060H5E

Indoor Coil Air Volume 70°F Dry Bulb cfm	Air Temperature Entering Outdoor Coil									
	65°F		45°F		25°F		5°F		-15°F	
	Total Heating Capacity	Comp. Motor Input	Total Heating Capacity	Comp. Motor Input	Total Heating Capacity	Comp. Motor Input	Total Heating Capacity	Comp. Motor Input	Total Heating Capacity	Comp. Motor Input
	kBtuh	kW	kBtuh	kW	kBtuh	kW	kBtuh	kW	kBtuh	kW
1650	72.7	3.95	56.4	3.71	40.1	3.47	24.6	3.10	12.1	2.32
2000	74.2	3.73	57.9	3.49	41.7	3.25	26.1	2.89	13.6	2.10
2400	76.2	3.58	60.0	3.35	43.7	3.11	28.2	2.74	15.7	1.95

# COOLING / HEATING RATINGS

NOTE - For Temperatures and Capacities not shown in tables, see bulletin - Cooling Unit Rating Table Correction Factor Data in Miscellaneous Product Data section.

## 6 TON COOLING LDT072H5E (PART LOAD)

Entering Wet Bulb Temperature	Total Air Volume	Outdoor Air Temperature Entering Outdoor Coil																			
		65°F					75°F					85°F					95°F				
		Total Cool Cap.	Comp. Motor Input	Sensible To Total Ratio (S/T)			Total Cool Cap.	Comp. Motor Input	Sensible To Total Ratio (S/T)			Total Cool Cap.	Comp. Motor Input	Sensible To Total Ratio (S/T)			Total Cool Cap.	Comp. Motor Input	Sensible To Total Ratio (S/T)		
				Dry Bulb					Dry Bulb					Dry Bulb					Dry Bulb		
cfm	kBtuh	kW	75°F	80°F	85°F	kBtuh	kW	75°F	80°F	85°F	kBtuh	kW	75°F	80°F	85°F	kBtuh	kW	75°F	80°F	85°F	
63°F	1200	54.8	2.27	0.66	0.78	0.93	51.6	2.68	0.66	0.8	0.96	47.7	3.12	0.68	0.82	0.99	43.9	3.62	0.69	0.86	1
	1600	59	2.25	0.72	0.89	1	55.8	2.66	0.74	0.92	1	50.9	3.11	0.75	0.97	1	47.4	3.61	0.77	1	1
	2000	62.4	2.23	0.79	1	1	59	2.65	0.81	1	1	55.1	3.1	0.84	1	1	51.3	3.6	0.87	1	1
67°F	1200	58.3	2.25	0.53	0.63	0.74	55.4	2.67	0.53	0.64	0.76	51.2	3.11	0.53	0.65	0.78	47.6	3.61	0.53	0.66	0.81
	1600	63.4	2.23	0.57	0.7	0.85	59.4	2.65	0.57	0.71	0.88	55.4	3.1	0.57	0.73	0.91	51.3	3.6	0.58	0.75	0.96
	2000	66.1	2.22	0.61	0.76	0.96	62.4	2.64	0.62	0.79	1	58.1	3.1	0.62	0.82	1	53.4	3.59	0.64	0.86	1
71°F	1200	62.8	2.23	0.41	0.52	0.62	59.4	2.65	0.41	0.51	0.62	55.3	3.1	0.4	0.52	0.63	51.3	3.6	0.4	0.52	0.65
	1600	67.4	2.21	0.44	0.56	0.68	63.7	2.64	0.43	0.56	0.69	59.2	3.09	0.43	0.57	0.71	54.7	3.59	0.43	0.57	0.73
	2000	70.5	2.2	0.46	0.6	0.74	66.3	2.63	0.46	0.61	0.77	62	3.09	0.46	0.62	0.79	57.5	3.59	0.47	0.63	0.83

## 6 TON COOLING LDT072H5E (FULL LOAD)

Entering Wet Bulb Temperature	Total Air Volume	Outdoor Air Temperature Entering Outdoor Coil																			
		85°F					95°F					105°F					115°F				
		Total Cool Cap.	Comp. Motor Input	Sensible To Total Ratio (S/T)			Total Cool Cap.	Comp. Motor Input	Sensible To Total Ratio (S/T)			Total Cool Cap.	Comp. Motor Input	Sensible To Total Ratio (S/T)			Total Cool Cap.	Comp. Motor Input	Sensible To Total Ratio (S/T)		
				Dry Bulb					Dry Bulb					Dry Bulb					Dry Bulb		
cfm	kBtuh	kW	75°F	80°F	85°F	kBtuh	kW	75°F	80°F	85°F	kBtuh	kW	75°F	80°F	85°F	kBtuh	kW	75°F	80°F	85°F	
63°F	1920	68.9	4.41	0.71	0.88	1	64.7	5.01	0.72	0.91	1	60.1	5.68	0.74	0.95	1	55.2	6.43	0.76	1	1
	2400	72.5	4.46	0.76	1	1	68.6	5.06	0.79	1	1	64.2	5.74	0.82	1	1	59	6.49	0.86	1	1
	2880	76.3	4.5	0.85	1	1	71.6	5.1	0.87	1	1	67.2	5.78	0.93	1	1	62.5	6.54	0.98	1	1
67°F	1920	74	4.47	0.56	0.69	0.83	69.2	5.07	0.56	0.7	0.87	64	5.74	0.57	0.72	0.91	59.2	6.49	0.58	0.74	0.96
	2400	77.1	4.51	0.59	0.75	0.95	72.3	5.11	0.6	0.78	1	67	5.78	0.61	0.81	1	61.7	6.53	0.62	0.84	1
	2880	79.5	4.54	0.64	0.82	1	74.4	5.14	0.64	0.86	1	69.1	5.81	0.67	0.91	1	63.6	6.56	0.69	0.96	1
71°F	1920	78.4	4.53	0.42	0.55	0.67	73.4	5.12	0.42	0.55	0.68	68.5	5.8	0.42	0.56	0.7	63.1	6.55	0.42	0.57	0.72
	2400	81.4	4.56	0.44	0.59	0.73	76.5	5.17	0.44	0.6	0.75	71.4	5.84	0.44	0.61	0.77	65.7	6.59	0.45	0.63	0.83
	2880	84.1	4.59	0.46	0.63	0.8	78.6	5.19	0.47	0.64	0.84	73.4	5.87	0.46	0.67	0.88	67.4	6.62	0.47	0.68	0.94

## 6 TON HEATING LDT072H5E

Indoor Coil Air Volume 70°F Dry Bulb cfm	Air Temperature Entering Outdoor Coil									
	65°F		45°F		25°F		5°F		-15°F	
	Total Heating Capacity	Comp. Motor Input	Total Heating Capacity	Comp. Motor Input	Total Heating Capacity	Comp. Motor Input	Total Heating Capacity	Comp. Motor Input	Total Heating Capacity	Comp. Motor Input
	kBtuh	kW	kBtuh	kW	kBtuh	kW	kBtuh	kW	kBtuh	kW
1920	87.4	4.89	66.2	4.51	44.8	4.12	26.6	3.64	13.2	2.75
2400	89.2	4.56	68.1	4.18	46.7	3.79	28.4	3.31	15.1	2.42
2880	90.9	4.38	69.7	3.99	48.3	3.61	30.1	3.12	16.7	2.23



**BLOWER TABLE INCLUDES RESISTANCE FOR BASE UNIT ONLY WITH DRY INDOOR COIL AND AIR FILTERS IN PLACE.**

FOR ALL UNITS ADD:

1 - Any factory installed options air resistance (heat section, economizer, etc.).

2 - Any field installed accessories air resistance (duct resistance, diffuser, etc.).

See page 32 for wet coil and options/accessory air resistance data.

**Minimum Air Volume Required For Different Gas Heat Sizes:**

Standard Heat - 960 cfm; Medium Heat - 1150 cfm; High Heat - 1500 cfm

**DOWNFLOW**

External Static Press. in. w.g.	Percentage of Total Motor Torque																											
	20%			30%			40%			50%			60%			70%			80%			90%			100%			
	Cfm	RPM	Watts	Cfm	RPM	Watts	Cfm	RPM	Watts	Cfm	RPM	Watts	Cfm	RPM	Watts	Cfm	RPM	Watts	Cfm	RPM	Watts	Cfm	RPM	Watts	Cfm	RPM	Watts	
0	819	47	403	1006	79	463	1192	111	523	1335	152	573	1477	193	622	1580	236	661	1682	279	699	1812	353	753	1876	400	783	
0.1	723	48	485	919	82	539	1114	116	593	1264	159	637	1414	202	681	1522	246	715	1629	290	749	1767	365	797	1835	414	824	
0.2	636	51	565	840	88	613	1044	124	660	1201	169	699	1357	213	738	1470	258	769	1582	303	799	1726	380	841	1797	429	865	
0.3	557	57	641	769	96	683	981	134	725	1144	180	760	1306	226	794	1423	273	821	1540	319	848	1689	397	885	1761	446	906	
0.4	485	65	713	704	106	750	923	146	787	1091	194	818	1259	241	848	1380	289	872	1500	336	895	1653	415	929	1725	463	948	
0.5	418	73	783	644	116	815	870	158	846	1043	207	873	1215	256	900	1339	305	921	1462	353	942	1618	433	973	1689	481	991	
0.6	355	82	849	587	127	876	819	171	903	996	222	927	1173	272	950	1299	321	969	1425	370	987	1582	451	1016	1651	499	1034	
0.7	---	---	---	---	---	---	---	---	---	---	---	---	---	---	---	---	---	---	---	---	---	---	---	---	---	---	---	---
0.8	---	---	---	---	---	---	---	---	---	---	---	---	---	---	---	---	---	---	---	---	---	---	---	---	---	---	---	---
0.9	---	---	---	---	---	---	---	---	---	---	---	---	---	---	---	---	---	---	---	---	---	---	---	---	---	---	---	---
1.0	---	---	---	---	---	---	---	---	---	---	---	---	---	---	---	---	---	---	---	---	---	---	---	---	---	---	---	---
1.1	---	---	---	---	---	---	---	---	---	---	---	---	---	---	---	---	---	---	---	---	---	---	---	---	---	---	---	---
1.2	---	---	---	---	---	---	---	---	---	---	---	---	---	---	---	---	---	---	---	---	---	---	---	---	---	---	---	---
1.3	---	---	---	---	---	---	---	---	---	---	---	---	---	---	---	---	---	---	---	---	---	---	---	---	---	---	---	---
1.4	---	---	---	---	---	---	---	---	---	---	---	---	---	---	---	---	---	---	---	---	---	---	---	---	---	---	---	---

**HORIZONTAL**

External Static Press. in. w.g.	Percentage of Total Motor Torque																											
	20%			30%			40%			50%			60%			70%			80%			90%			100%			
	Cfm	RPM	Watts	Cfm	RPM	Watts	Cfm	RPM	Watts	Cfm	RPM	Watts	Cfm	RPM	Watts	Cfm	RPM	Watts	Cfm	RPM	Watts	Cfm	RPM	Watts	Cfm	RPM	Watts	
0	794	45	388	970	76	454	1146	107	519	1281	149	575	1416	191	630	1522	110	678	1627	293	726	1715	351	768	1802	408	810	
0.1	709	44	460	895	78	519	1080	111	577	1223	155	627	1366	199	677	1477	251	721	1588	303	764	1681	362	804	1773	420	843	
0.2	630	46	531	855	82	583	1019	117	634	1169	163	679	1318	208	723	1435	262	763	1552	315	803	1648	375	841	1743	434	878	
0.3	556	51	602	759	88	646	961	125	690	1117	172	730	1273	219	769	1395	274	805	1516	328	841	1615	388	877	1714	448	912	
0.4	486	58	671	696	97	709	906	135	746	1068	184	781	1230	232	815	1356	288	848	1481	343	880	1582	403	914	1683	463	948	
0.5	420	66	740	637	107	771	854	147	802	1021	196	831	1188	245	860	1317	301	890	1446	357	919	1549	418	951	1652	478	983	
0.6	---	---	---	---	---	---	---	---	---	---	---	---	---	---	---	---	---	---	---	---	---	---	---	---	---	---	---	---
0.7	---	---	---	---	---	---	---	---	---	---	---	---	---	---	---	---	---	---	---	---	---	---	---	---	---	---	---	---
0.8	---	---	---	---	---	---	---	---	---	---	---	---	---	---	---	---	---	---	---	---	---	---	---	---	---	---	---	---
0.9	---	---	---	---	---	---	---	---	---	---	---	---	---	---	---	---	---	---	---	---	---	---	---	---	---	---	---	---
1.0	---	---	---	---	---	---	---	---	---	---	---	---	---	---	---	---	---	---	---	---	---	---	---	---	---	---	---	---
1.1	---	---	---	---	---	---	---	---	---	---	---	---	---	---	---	---	---	---	---	---	---	---	---	---	---	---	---	---
1.2	---	---	---	---	---	---	---	---	---	---	---	---	---	---	---	---	---	---	---	---	---	---	---	---	---	---	---	---
1.3	---	---	---	---	---	---	---	---	---	---	---	---	---	---	---	---	---	---	---	---	---	---	---	---	---	---	---	---
1.4	---	---	---	---	---	---	---	---	---	---	---	---	---	---	---	---	---	---	---	---	---	---	---	---	---	---	---	---

**BLOWER DATA**

**BLOWER TABLE INCLUDES RESISTANCE FOR BASE UNIT ONLY WITH DRY INDOOR COIL AND AIR FILTERS IN PLACE.**

FOR ALL UNITS ADD:

1 - Any factory installed options air resistance (heat section, economizer, etc.).

2 - Any field installed accessories air resistance (duct resistance, diffuser, etc.).

**Minimum Air Volume Required For Different Gas Heat Sizes:**

Standard Heat - 960 cfm; Medium Heat - 1150 cfm; High Heat - 1500 cfm

See page 32 for wet coil and options/accessory air resistance data.

**DOWNFLOW**

External Static Press. in. w.g.	Percentage of Total Motor Torque																										
	20%			30%			40%			50%			60%			70%			80%			90%			100%		
	Cfm	Watts	RPM	Cfm	Watts	RPM	Cfm	Watts	RPM	Cfm	Watts	RPM	Cfm	Watts	RPM	Cfm	Watts	RPM	Cfm	Watts	RPM	Cfm	Watts	RPM	Cfm	Watts	RPM
0	1115	124	488	1344	200	572	1573	276	655	1747	377	724	1920	477	792	2041	581	844	2161	684	896	2304	852	964	2354	936	992
0.1	1012	101	536	1253	181	614	1493	261	691	1677	366	755	1860	471	819	1990	578	868	2119	685	916	2277	860	980	2339	951	1006
0.2	926	88	584	1177	172	656	1427	256	728	1619	365	788	1811	473	848	1949	583	894	2086	693	939	2256	873	999	2328	969	1024
0.3	854	86	634	1113	173	701	1372	260	767	1572	371	823	1772	482	878	1916	595	921	2059	707	963	2240	891	1019	2319	991	1043
0.4	794	91	684	1061	181	746	1328	270	807	1535	383	859	1741	496	910	1890	611	950	2038	725	989	2226	913	1042	2311	1014	1065
0.5	745	104	734	1019	195	791	1292	286	847	1504	401	895	1715	515	942	1868	631	979	2020	747	1016	2214	936	1066	2301	1039	1089
0.6	704	122	785	983	215	837	1262	307	888	1478	423	932	1693	538	976	1849	654	1011	2004	770	1045	2201	960	1092	2288	1063	1114
0.7	671	145	836	954	238	883	1237	331	929	1456	447	969	1674	562	1009	1831	678	1041	1988	794	1073	2185	983	1118	2270	1085	1140
0.8	643	171	886	929	264	928	1215	357	969	1435	472	1006	1655	587	1043	1813	703	1073	1970	818	1103	2164	1005	1145	2246	1104	1168
0.9	619	199	935	907	291	973	1194	383	1010	1415	498	1043	1635	612	1076	1792	726	1104	1948	840	1132	2138	1024	1173	2212	1119	1196
1.0	596	228	983	884	319	1016	1172	410	1049	1392	523	1079	1612	635	1109	1766	747	1135	1920	859	1161	2104	1038	1200	---	---	---
1.1	---	---	---	---	---	---	1148	434	1087	1366	545	1115	1583	655	1142	1734	765	1166	1885	874	1189	2060	1047	1227	---	---	---
1.2	---	---	---	---	---	---	1120	456	1124	1334	564	1149	1548	671	1173	1695	777	1195	1841	883	1217	2004	1050	1254	---	---	---
1.3	---	---	---	---	---	---	1085	474	1159	1295	578	1181	1505	681	1202	1646	784	1223	1786	886	1244	1935	1044	1280	---	---	---
1.4	---	---	---	---	---	---	1043	486	1192	1247	586	1211	1451	685	1230	1585	783	1250	1718	881	1269	1851	1029	1305	---	---	---

**HORIZONTAL**

External Static Press. in. w.g.	Percentage of Total Motor Torque																										
	20%			30%			40%			50%			60%			70%			80%			90%			100%		
	Cfm	Watts	RPM	Cfm	Watts	RPM	Cfm	Watts	RPM	Cfm	Watts	RPM	Cfm	Watts	RPM	Cfm	Watts	RPM	Cfm	Watts	RPM	Cfm	Watts	RPM	Cfm	Watts	RPM
0	1087	111	493	1304	184	579	1520	257	665	1689	368	738	1857	478	810	1972	588	864	2087	698	918	2196	844	975	2283	925	1000
0.1	1021	104	537	1246	180	618	1470	255	699	1646	368	768	1821	480	837	1941	592	888	2061	704	938	2179	852	992	2255	926	1017
0.2	961	102	582	1193	181	658	1425	259	734	1607	373	799	1789	487	864	1914	601	912	2039	714	960	2163	864	1012	2231	932	1034
0.3	906	106	628	1145	186	699	1384	266	769	1572	382	831	1759	498	892	1889	613	938	2018	728	984	2149	879	1033	2209	941	1053
0.4	855	113	674	1101	196	740	1347	278	806	1540	396	864	1732	513	921	1866	629	965	1999	744	1008	2134	896	1054	---	---	---
0.5	808	125	720	1060	209	781	1312	293	842	1509	412	896	1706	530	950	1843	646	992	1980	762	1033	2119	915	1077	---	---	---
0.6	764	139	766	1022	225	823	1279	310	879	1481	430	930	1682	549	980	1821	666	1019	1960	782	1058	2102	935	1101	---	---	---
0.7	722	155	812	985	242	864	1247	328	916	1452	449	964	1657	569	1011	1799	686	1048	1940	803	1084	2084	955	1125	---	---	---
0.8	682	172	858	949	260	906	1216	348	953	1424	469	997	1632	589	1041	1776	706	1076	1919	823	1111	2063	974	1150	---	---	---
0.9	643	191	903	914	279	946	1185	367	989	1396	489	1030	1606	610	1071	1751	727	1104	1895	843	1137	2039	992	1175	---	---	---
1.0	---	---	---	---	---	---	1153	386	1024	1366	508	1062	1579	629	1100	1724	745	1132	1869	861	1163	2011	1008	1201	---	---	---
1.1	---	---	---	---	---	---	1120	404	1059	1334	525	1095	1548	646	1130	1694	761	1160	1839	876	1189	1979	1021	1226	---	---	---
1.2	---	---	---	---	---	---	1085	420	1093	1300	541	1126	1515	661	1158	1660	775	1186	1805	889	1214	1941	1031	1250	---	---	---
1.3	---	---	---	---	---	---	1047	433	1126	1263	553	1156	1478	672	1186	1622	785	1213	1766	898	1239	1897	1037	1275	---	---	---
1.4	---	---	---	---	---	---	1005	442	1158	1221	561	1185	1436	680	1212	1579	792	1238	1721	903	1263	1847	1037	1298	---	---	---

**1.0 HP | 4 ROW (060)**

**BLOWER DATA**  
**BLOWER TABLE INCLUDES RESISTANCE FOR BASE UNIT ONLY WITH DRY INDOOR COIL AND AIR FILTERS IN PLACE.**

FOR ALL UNITS ADD:  
 1 - Any factory installed options air resistance (heat section, economizer, etc.).  
 2 - Any field installed accessories air resistance (duct resistance, diffuser, etc.).  
 See page 32 for wet coil and options/accessory air resistance data.

**Minimum Air Volume Required For Different Gas Heat Sizes:**  
 Standard Heat - 960 cfm; Medium Heat - 1150 cfm; High Heat - 1500 cfm

External Static Press. in. w.g.	Percentage of Total Motor Torque																											
	20%		30%		40%		50%		60%		70%		80%		90%		100%											
	Cfm	RPM	Cfm	RPM	Cfm	RPM	Cfm	RPM	Cfm	RPM	Cfm	RPM	Cfm	RPM	Cfm	RPM	Cfm	RPM										
0	1101	120	494	1328	196	578	1555	272	662	1728	374	731	1901	475	800	2023	580	852	2145	684	903	2292	854	970	2348	942	998	
0.1	1002	99	541	1241	180	620	1479	260	698	1662	366	763	1845	471	827	1976	579	876	2106	687	924	2268	865	987	2334	958	1013	
0.2	918	88	589	1167	173	663	1416	257	736	1608	366	796	1800	475	856	1938	586	902	2076	697	947	2249	880	1006	2324	978	1031	
0.3	848	86	638	1106	174	706	1364	261	774	1564	373	830	1763	485	886	1907	599	929	2051	712	972	2234	899	1028	2316	1000	1052	
0.4	790	92	688	1056	183	751	1321	273	814	1527	387	866	1733	501	918	1882	617	958	2031	732	998	2221	921	1051	2307	1024	1074	
0.5	742	105	738	1015	197	796	1287	289	854	1498	405	902	1709	520	950	1862	637	988	2014	754	1025	2208	944	1076	2296	1048	1099	
0.6	703	124	788	981	217	841	1258	310	894	1473	427	939	1688	543	984	1843	660	1019	1998	777	1053	2194	968	1101	2281	1071	1124	
0.7	670	146	838	952	240	887	1233	334	935	1451	451	976	1669	568	1017	1826	685	1050	1982	801	1082	2177	991	1128	2260	1092	1151	
0.8	642	172	888	927	266	932	1211	360	975	1431	477	1013	1650	593	1051	1807	709	1081	1963	825	1111	2155	1012	1155	2233	1109	1178	
0.9	618	200	937	904	294	976	1190	387	1015	1410	502	1050	1629	617	1084	1785	732	1112	1940	846	1140	2127	1029	1182	---	---	---	
1.0	595	229	985	882	321	1020	1168	413	1054	1387	526	1086	1605	639	1117	1758	752	1143	1911	864	1169	2090	1042	1209	---	---	---	
1.1	---	---	---	---	---	---	---	---	---	---	---	---	---	---	---	---	---	---	---	---	---	---	---	---	---	---	---	---
1.2	---	---	---	---	---	---	---	---	---	---	---	---	---	---	---	---	---	---	---	---	---	---	---	---	---	---	---	---
1.3	---	---	---	---	---	---	---	---	---	---	---	---	---	---	---	---	---	---	---	---	---	---	---	---	---	---	---	---
1.4	---	---	---	---	---	---	---	---	---	---	---	---	---	---	---	---	---	---	---	---	---	---	---	---	---	---	---	---

External Static Press. in. w.g.	Percentage of Total Motor Torque																											
	20%		30%		40%		50%		60%		70%		80%		90%		100%											
	Cfm	RPM	Cfm	RPM	Cfm	RPM	Cfm	RPM	Cfm	RPM	Cfm	RPM	Cfm	RPM	Cfm	RPM	Cfm	RPM										
0	1077	113	502	1282	175	585	1486	237	668	1670	363	746	1854	489	823	1993	623	884	2131	757	944	2216	882	995	2268	926	1009	
0.1	1016	109	546	1227	172	624	1437	234	701	1626	361	775	1814	488	848	1956	623	906	2098	757	964	2194	887	1011	2242	928	1026	
0.2	962	111	591	1177	174	663	1392	236	735	1585	364	805	1777	492	874	1923	627	930	2069	762	985	2175	895	1029	2218	935	1044	
0.3	913	118	636	1133	181	703	1352	244	770	1548	372	836	1744	500	902	1893	636	955	2042	772	1007	2157	907	1048	2196	945	1063	
0.4	868	130	682	1092	193	744	1315	256	806	1515	384	868	1714	512	930	1866	648	980	2018	784	1030	2139	922	1069	---	---	---	
0.5	827	146	728	1054	209	785	1281	271	842	1484	399	901	1687	526	959	1841	663	1007	1995	799	1054	2121	938	1090	---	---	---	
0.6	789	165	775	1019	227	827	1249	288	879	1455	416	934	1660	543	988	1816	679	1034	1972	815	1079	2102	955	1113	---	---	---	
0.7	752	185	821	986	247	869	1219	308	916	1427	435	967	1634	562	1018	1792	698	1061	1949	833	1104	2081	972	1136	---	---	---	
0.8	718	208	867	954	268	910	1189	328	953	1399	455	1000	1608	581	1047	1767	716	1088	1925	851	1129	2058	989	1160	---	---	---	
0.9	684	231	913	922	290	951	1160	349	989	1371	475	1033	1581	600	1077	1741	734	1116	1900	868	1154	2031	1004	1185	---	---	---	
1.0	---	---	---	---	---	---	---	---	---	---	---	---	---	---	---	---	---	---	---	---	---	---	---	---	---	---	---	---
1.1	---	---	---	---	---	---	---	---	---	---	---	---	---	---	---	---	---	---	---	---	---	---	---	---	---	---	---	---
1.2	---	---	---	---	---	---	---	---	---	---	---	---	---	---	---	---	---	---	---	---	---	---	---	---	---	---	---	---
1.3	---	---	---	---	---	---	---	---	---	---	---	---	---	---	---	---	---	---	---	---	---	---	---	---	---	---	---	---
1.4	---	---	---	---	---	---	---	---	---	---	---	---	---	---	---	---	---	---	---	---	---	---	---	---	---	---	---	---

**1.5 HP | 3 ROW (036, 048)**

**BLOWER DATA**  
**BLOWER TABLE INCLUDES RESISTANCE FOR BASE UNIT ONLY WITH DRY INDOOR COIL AND AIR FILTERS IN PLACE.**

FOR ALL UNITS ADD:

- 1 - Any factory installed options air resistance (heat section, economizer, etc.).
- 2 - Any field installed accessories air resistance (duct resistance, diffuser, etc.).

**Minimum Air Volume Required For Different Gas Heat Sizes:**

Standard Heat - 1075 cfm; Medium Heat - 1150 cfm; High Heat - 1500 cfm

See page 32 for wet coil and options/accessory air resistance data.

**DOWNFLOW**

Total Air cfm	Total Static Pressure - in. w.g.																											
	0.1		0.2		0.3		0.4		0.5		0.6		0.7		0.8		0.9		1.0		1.1		1.2		1.3			
	RPM	Watts	RPM	Watts	RPM	Watts	RPM	Watts	RPM	Watts	RPM	Watts	RPM	Watts	RPM	Watts	RPM	Watts	RPM	Watts	RPM	Watts	RPM	Watts	RPM	Watts	RPM	Watts
400	718	19	803	41	72	1008	92	1080	111	1149	127	1226	129	1307	126	1386	124	1574	197	1630	220	1681	250	1731	279	1779	307	
600	845	50	929	72	1057	101	1138	123	1214	143	1286	160	1362	168	1439	173	1510	181	1642	239	1747	293	1796	324	1844	353	1890	379
800	971	79	1057	101	1138	123	1214	143	1286	160	1362	168	1439	173	1510	181	1642	239	1747	293	1747	293	1796	324	1844	353	1890	379
1000	1136	113	1215	135	1293	157	1367	177	1438	196	1510	209	1579	222	1642	239	1747	293	1747	293	1747	293	1796	324	1844	353	1890	379
1200	1335	151	1406	172	1476	193	1544	213	1611	232	1675	250	1735	272	1788	299	1834	332	1878	368	1923	400	1970	428	2015	454		
1400	1560	177	1617	204	1675	231	1732	257	1788	283	1841	310	1891	339	1936	371	1978	405	2019	439	2063	469	2108	496	2152	522		
1600	1742	245	1792	278	1842	311	1892	344	1940	376	1988	406	2035	434	2080	461	2125	486	2169	513	2213	541	2256	570	2297	601		
1800	1922	330	1970	363	2017	395	2064	426	2110	457	2155	485	2200	512	2244	539	2287	568	2328	600	2369	634	2408	671	2447	708		
2000	2112	405	2158	438	2202	471	2246	503	2289	536	2331	568	2373	602	2413	640	2452	681	2490	723	2527	766	2564	809	2599	851		
2200	2305	493	2347	531	2389	569	2429	608	2469	648	2508	691	2546	737	2582	784	2619	832	2654	878	2690	923	2724	965	2758	1007		
2400	2499	617	2539	660	2578	704	2615	748	2652	794	2688	841	2722	890	2757	939	2791	986	2825	1031	2858	1075	2891	1117	2923	1158		
2600	2697	773	2733	818	2769	864	2803	911	2837	957	2871	1005	2903	1052	2936	1099	2968	1143	3000	1186	3031	1228	3062	1270	3092	1311		
2800	2896	944	2929	990	2962	1036	2993	1082	3025	1128	3056	1173	3087	1216	3118	1259	3147	1300	3177	1341	3206	1382	3236	1423	3264	1463		
3000	3093	1115	3124	1160	3154	1205	3184	1249	3214	1293	3243	1335	3272	1376	3300	1416	3327	1456	3355	1495	3383	1536	3410	1576	3437	1615		

**Total Static Pressure - in. w.g.**

Total Air cfm	1.4						1.5						1.6						1.7						1.8						1.9						2.0					
	RPM		Watts		RPM		Watts		RPM		Watts		RPM		Watts		RPM		Watts		RPM		Watts		RPM		Watts		RPM		Watts		RPM		Watts							
	800	1826	333	---	---	---	---	---	---	---	---	---	---	---	---	---	---	---	---	---	---	---	---	---	---	---	---	---	---	---	---	---	---	---	---							
1000	1935	403	1979	424	2021	444	2064	464	2106	485	2149	509	2191	533	2236	565	2281	597	2327	630	2374	664	2422	699	2470	734	2518	770	2566	806	2614	2662										
1200	2058	476	2100	498	2142	518	2184	541	2226	565	2267	592	2308	619	2350	645	2392	672	2434	700	2476	728	2518	756	2560	784	2602	812	2644	2692	2740	2788										
1400	2194	548	2235	574	2275	601	2316	629	2356	658	2395	689	2433	720	2472	752	2490	784	2527	816	2563	849	2600	2636	2672	2708	2744	2780	2816	2852	2888											
1600	2337	632	2377	665	2415	698	2453	733	2490	768	2527	803	2563	839	2600	2636	2672	2708	2744	2780	2816	2852	2888	2924	2960	2996	3032	3068	3104	3140	3176											
1800	2484	746	2521	785	2557	824	2592	863	2627	902	2661	942	2695	981	2730	2764	2800	2834	2870	2904	2940	2974	3010	3044	3080	3114	3148	3184	3218	3254	3288											
2000	2634	894	2668	935	2701	977	2735	1018	2768	1058	2802	1099	2834	1139	2874	2914	2952	2992	3032	3072	3112	3152	3192	3232	3272	3312	3352	3392	3432	3472	3512											
2200	2790	1049	2823	1090	2855	1130	2887	1170	2919	1210	2952	1250	2984	1289	3024	3064	3104	3144	3184	3224	3264	3304	3344	3384	3424	3464	3504	3544	3584	3624	3664											
2400	2954	1200	2986	1240	3017	1280	3048	1320	3080	1360	3111	1399	3142	1437	3176	3216	3256	3296	3336	3376	3416	3456	3496	3536	3576	3616	3656	3696	3736	3776	3816											
2600	3123	1351	3153	1391	3184	1431	3215	1470	3245	1509	3276	1548	3306	1586	3336	3376	3416	3456	3496	3536	3576	3616	3656	3696	3736	3776	3816	3856	3896	3936	3976											
2800	3294	1502	3323	1542	3352	1580	3382	1619	3412	1658	3442	1696	3472	1734	3468	3508	3548	3588	3628	3668	3708	3748	3788	3828	3868	3908	3948	3988	4028	4068	4108											
3000	3464	1653	3492	1691	3520	1729	3549	1767	3578	1805	3608	1844	3638	1882	3672	3712	3752	3792	3832	3872	3912	3952	3992	4032	4072	4112	4152	4192	4232	4272	4312											

**1.5 HP | 3 ROW (036, 048)**

**BLOWER DATA**  
**BLOWER TABLE INCLUDES RESISTANCE FOR BASE UNIT ONLY WITH DRY INDOOR COIL AND AIR FILTERS IN PLACE.**

FOR ALL UNITS ADD:  
 1 - Any factory installed options air resistance (heat section, economizer, etc.).  
 2 - Any field installed accessories air resistance (duct resistance, diffuser, etc.).  
 See page 32 for wet coil and options/accessory air resistance data.

**Minimum Air Volume Required For Different Gas Heat Sizes:**  
 Standard Heat - 1075 cfm, Medium Heat - 1150 cfm; High Heat - 1500 cfm

**HORIZONTAL**

Total Air cfm	Total Static Pressure - in. w.g.																												
	0.1		0.2		0.3		0.4		0.5		0.6		0.7		0.8		0.9		1.0		1.1		1.2		1.3				
	RPM	Watts	RPM	Watts	RPM	Watts	RPM	Watts	RPM	Watts	RPM	Watts	RPM	Watts	RPM	Watts	RPM	Watts	RPM	Watts	RPM	Watts	RPM	Watts	RPM	Watts			
400	708	16	793	37	872	53	952	71	1031	87	1110	104	1189	121	1228	138	1267	155	1306	172	1345	189	1384	206	1423	223	1462		
600	835	46	918	65	1000	82	1077	95	1149	107	1221	109	1293	126	1365	143	1437	160	1509	177	1581	194	1653	211	1725	228	1797		
800	981	75	1064	92	1144	109	1221	124	1294	139	1365	148	1434	154	1502	171	1582	187	1655	204	1727	221	1800	238	1872	255	1944		
1000	1166	105	1241	124	1315	141	1387	159	1454	176	1520	191	1582	207	1638	227	1689	252	1730	269	1783	286	1834	303	1885	320	1936		
1200	1374	142	1440	162	1506	182	1569	203	1630	224	1687	246	1739	271	1787	299	1832	330	1876	361	1920	391	1964	419	2007	444	2049		
1400	1591	183	1647	209	1701	235	1755	263	1806	291	1854	320	1899	351	1942	382	1984	412	2026	442	2068	469	2110	496	2153	520	2195		
1600	1778	258	1827	290	1876	323	1923	355	1970	386	2015	416	2059	444	2102	470	2144	494	2185	519	2227	545	2268	572	2309	600	2350		
1800	1973	352	2018	383	2063	415	2107	445	2151	476	2194	504	2237	531	2279	557	2319	584	2359	613	2397	645	2435	679	2471	713	2507		
2000	2182	437	2224	468	2265	499	2306	531	2346	563	2385	596	2424	630	2461	666	2496	705	2530	745	2564	786	2598	826	2631	866	2664		
2200	2388	540	2426	576	2464	613	2500	651	2536	691	2571	731	2605	774	2637	819	2668	863	2700	907	2732	949	2764	990	2795	1029	2826		
2400	2589	679	2624	719	2658	761	2691	803	2724	846	2756	890	2786	935	2816	980	2846	1025	2876	1068	2907	1109	2937	1149	2967	1188	2997		
2600	2787	845	2819	887	2850	930	2881	973	2911	1017	2941	1060	2970	1104	2999	1147	3028	1189	3057	1230	3087	1270	3116	1309	3145	1348	3174		
2800	2983	1021	3013	1063	3042	1106	3070	1149	3099	1191	3127	1230	3155	1273	3183	1315	3211	1357	3239	1400	3267	1442	3295	1484	3323	1526	3351		
Total Air cfm	1.4		1.5		1.6		1.7		1.8		1.9		2.0																
	RPM	Watts	RPM	Watts	RPM	Watts	RPM	Watts	RPM	Watts	RPM	Watts	RPM	Watts	RPM	Watts	RPM	Watts	RPM	Watts	RPM	Watts	RPM	Watts	RPM	Watts	RPM	Watts	
	800	---	---	---	---	---	---	---	---	---	---	---	---	---	---	---	---	---	---	---	---	---	---	---	---	---	---	---	---
	1000	1916	386	1957	408	1998	428	2037	447	2077	465	2116	484	2155	502	2194	520	2233	538	2272	556	2311	574	2350	592	2389	610	2428	
	1200	2049	468	2089	490	2128	510	2168	529	2207	549	2246	569	2285	591	2324	611	2363	631	2402	651	2441	671	2480	691	2519	711	2558	
	1400	2194	543	2235	565	2274	588	2313	611	2350	637	2387	664	2423	694	2460	722	2497	751	2534	780	2571	809	2608	838	2645	867	2682	
	1600	2349	627	2387	657	2423	688	2457	722	2490	757	2522	793	2554	830	2586	866	2618	902	2650	938	2682	974	2714	1010	2746	1046	2778	
	1800	2506	749	2539	787	2571	825	2602	864	2632	903	2662	942	2692	981	2722	1020	2752	1059	2782	1098	2812	1137	2842	1176	2872	1215	2902	
	2000	2663	906	2694	945	2725	985	2755	1024	2785	1063	2815	1101	2845	1138	2875	1176	2905	1215	2935	1254	2965	1293	2995	1332	3025	1371	3055	
2200	2826	1068	2857	1107	2887	1146	2916	1184	2946	1221	2975	1259	3005	1296	3035	1332	3065	1369	3095	1406	3125	1443	3155	1480	3185	1517	3215		
2400	2997	1227	3027	1266	3056	1304	3085	1342	3114	1380	3143	1418	3172	1456	3201	1494	3230	1532	3259	1570	3288	1608	3317	1646	3346	1684	3375		
2600	---	---	---	---	---	---	---	---	---	---	---	---	---	---	---	---	---	---	---	---	---	---	---	---	---	---	---	---	
2800	---	---	---	---	---	---	---	---	---	---	---	---	---	---	---	---	---	---	---	---	---	---	---	---	---	---	---	---	

**BLOWER DATA** 1.5 HP | 4 ROW (060 | 072)  
**BLOWER TABLE INCLUDES RESISTANCE FOR BASE UNIT ONLY WITH DRY INDOOR COIL AND AIR FILTERS IN PLACE.**

FOR ALL UNITS ADD:  
 1 - Any factory installed options air resistance (heat section, economizer, etc.).  
 2 - Any field installed accessories air resistance (duct resistance, diffuser, etc.).  
 See page 32 for wet coil and options/accessory air resistance data.

**Minimum Air Volume Required For Different Gas Heat Sizes:**  
 Standard Heat - 1075 cfm; Medium Heat - 1150 cfm; High Heat - 1500 cfm

		Total Static Pressure - in. w.g.																											
		0.1	0.2	0.3	0.4	0.5	0.6	0.7	0.8	0.9	1.0	1.1	1.2	1.3	0.1	0.2	0.3	0.4	0.5	0.6	0.7	0.8	0.9	1.0	1.1	1.2	1.3		
Total Air cfm		RPM	Watts	RPM	Watts	RPM	Watts	RPM	Watts	RPM	Watts	RPM	Watts	RPM	Watts	RPM	Watts	RPM	Watts	RPM	Watts	RPM	Watts	RPM	Watts	RPM	Watts	RPM	Watts
400	720	20	805	41	880	60	1083	112	1152	128	1229	130	1310	126	1389	125	1514	183	1578	198	1634	222	1684	252	1734	281	1783	309	
600	849	51	933	73	1011	93	1220	144	1291	162	1367	170	1443	175	1514	183	1648	242	1703	266	1753	296	1801	327	1849	356	1896	382	
800	978	81	1064	103	1145	124	1376	179	1446	198	1517	211	1586	224	1648	242	1795	302	1841	336	1884	373	1930	405	1976	433	2021	458	
1000	1147	116	1225	138	1302	159	1555	216	1620	235	1684	253	1743	275	1795	380	1943	478	1984	417	2025	453	2068	485	2113	512	2156	537	
1200	1347	154	1418	175	1487	196	1742	262	1798	288	1850	315	1899	346	1943	405	2043	508	2130	508	2173	539	2216	568	2259	595	2302	621	
1400	1571	182	1629	209	1686	236	1902	351	1951	383	1998	415	2043	447	2087	478	2253	554	2295	586	2337	618	2378	650	2418	682	2458	714	
1600	1753	252	1803	286	1853	318	2076	434	2122	465	2167	495	2210	524	2253	554	2425	653	2464	693	2503	734	2541	774	2578	814	2614	855	
1800	1935	339	1983	371	2030	403	2260	513	2303	546	2345	579	2385	614	2425	653	2596	801	2632	848	2667	895	2703	939	2737	981	2770	1023	
2000	2127	415	2172	448	2217	481	2444	623	2484	664	2522	707	2560	753	2596	801	2772	958	2805	1005	2839	1050	2872	1093	2905	1135	2936	1176	
2200	2321	507	2363	545	2404	583	2631	767	2668	813	2703	861	2737	909	2772	958	2956	1120	2983	1164	3015	1207	3046	1249	3077	1290	3107	1330	
2400	2516	635	2556	679	2594	723	2820	933	2854	980	2887	1027	2919	1074	2952	1120	3134	1282	3164	1323	3193	1364	1404	1445	1485	1520	1560	1600	
2600	2715	796	2751	841	2786	887	3011	1107	3042	1152	3073	1197	3104	1240	1282	1441	3317	1441	3344	1480	1520	1560	1600	1640	1680	1720	1760	1800	
2800	2915	970	2947	1016	2979	1062	3202	1276	3232	1319	3261	1361	3289	1401	3317	1441	3317	1441	3344	1480	1520	1560	1600	1640	1680	1720	1760	1800	
3000	3112	1142	3142	1187	3172	1232	3202	1276	3232	1319	3261	1361	3289	1401	3317	1441	3317	1441	3344	1480	1520	1560	1600	1640	1680	1720	1760	1800	

		Total Static Pressure - in. w.g.																										
		1.4	1.5	1.6	1.7	1.8	1.9	2.0	1.4	1.5	1.6	1.7	1.8	1.9	2.0													
Total Air cfm		RPM	Watts	RPM	Watts	RPM	Watts	RPM	Watts	RPM	Watts	RPM	Watts	RPM	Watts	RPM	Watts	RPM	Watts	RPM	Watts	RPM	Watts	RPM	Watts	RPM	Watts	
800	1830	335	---	---	---	---	---	---	---	---	---	---	---	---	---	---	---	---	---	---	---	---	---	---	---	---	---	---
1000	1940	405	1983	426	2026	446	2068	466	2111	488	2154	512	2196	536	536	---	---	---	---	---	---	---	---	---	---	---	---	---
1200	2064	480	2106	501	2148	522	2190	544	2232	569	2273	595	2314	623	623	---	---	---	---	---	---	---	---	---	---	---	---	---
1400	2199	560	2241	584	2282	608	2323	634	2363	664	2402	694	2440	726	726	---	---	---	---	---	---	---	---	---	---	---	---	---
1600	2344	647	2384	675	2424	706	2462	740	2498	776	2535	811	2571	848	848	---	---	---	---	---	---	---	---	---	---	---	---	---
1800	2497	749	2533	788	2568	829	2602	872	2636	914	2671	953	2705	992	992	---	---	---	---	---	---	---	---	---	---	---	---	---
2000	2648	898	2681	941	2714	986	2746	1030	2779	1072	2812	1112	2845	1152	1152	---	---	---	---	---	---	---	---	---	---	---	---	---
2200	2803	1064	2835	1105	2867	1145	2899	1186	2931	1225	2964	1265	2995	1303	1303	---	---	---	---	---	---	---	---	---	---	---	---	---
2400	2968	1217	2999	1258	3031	1298	3062	1337	3093	1377	3124	1415	1454	1454	---	---	---	---	---	---	---	---	---	---	---	---	---	---
2600	3138	1371	3168	1411	3199	1450	3229	1489	3260	1528	3290	1566	1604	1604	---	---	---	---	---	---	---	---	---	---	---	---	---	---
2800	3309	1524	3338	1563	3368	1602	3398	1640	3428	1678	3458	1717	1755	1755	---	---	---	---	---	---	---	---	---	---	---	---	---	---
3000	3481	1677	3508	1715	3537	1752	3566	1790	3595	1828	3625	1866	1904	1904	---	---	---	---	---	---	---	---	---	---	---	---	---	---

**BLOWER DATA** 1.5 HP | 4 ROW (060 | 072)

**BLOWER TABLE INCLUDES RESISTANCE FOR BASE UNIT ONLY WITH DRY INDOOR COIL AND AIR FILTERS IN PLACE.**

FOR ALL UNITS ADD:

1 - Any factory installed options air resistance (heat section, economizer, etc.).

2 - Any field installed accessories air resistance (duct resistance, diffuser, etc.).

**Minimum Air Volume Required For Different Gas Heat Sizes:**

Standard Heat - 1075 cfm; Medium Heat - 1150 cfm; High Heat - 1500 cfm

See page 32 for wet coil and options/accessory air resistance data.

**HORIZONTAL**

Total Air cfm	Total Static Pressure - in. w.g.																											
	0.1		0.2		0.3		0.4		0.5		0.6		0.7		0.8		0.9		1.0		1.1		1.2		1.3			
	RPM	Watts	RPM	Watts	RPM	Watts	RPM	Watts	RPM	Watts	RPM	Watts	RPM	Watts	RPM	Watts	RPM	Watts	RPM	Watts	RPM	Watts	RPM	Watts	RPM	Watts		
400	711	16	796	38	66	1006	83	1083	96	1154	107	1226	109	1226	109	1226	109	1226	109	1226	109	1226	109	1226	109	1226		
600	840	47	924	66	1072	94	1153	111	1230	126	1301	140	1372	148	1441	155	1503	165	1560	181	1612	203	1661	229	1661	229	1661	
800	990	76	1072	94	1153	111	1230	126	1301	140	1372	148	1441	155	1503	165	1560	181	1612	203	1661	229	1661	229	1661	229	1661	
1000	1179	108	1253	126	1326	144	1397	161	1464	178	1530	194	1530	194	1590	210	1646	231	1696	255	1744	283	1790	312	1836	340	1880	
1200	1388	146	1454	166	1519	186	1582	207	1641	228	1697	251	1749	276	1797	305	1842	336	1885	367	1929	397	1929	397	1973	424	2016	
1400	1606	189	1661	216	1715	242	1768	270	1818	298	1866	328	1911	358	1953	390	1995	420	2037	449	2079	476	2079	476	2121	503	2163	
1600	1794	268	1842	301	1890	333	1938	364	1984	396	2029	426	2073	453	2115	479	2157	503	2199	528	2240	553	2240	553	2281	581	2321	
1800	1991	364	2035	395	2079	426	2123	456	2167	486	2210	515	2252	541	2294	568	2334	596	2374	625	2412	657	2412	657	2448	692	2484	
2000	2202	451	2242	482	2283	513	2323	545	2363	577	2402	611	2440	646	2477	683	2512	722	2546	763	2579	804	2579	804	2613	844	2645	
2200	2408	559	2446	596	2483	633	2520	672	2555	712	2590	753	2623	796	2655	841	2686	885	2717	928	2748	970	2748	970	2780	1010	2812	
2400	2609	703	2644	744	2678	786	2711	829	2744	872	2776	916	2806	961	2835	1006	2865	1050	2895	1092	2925	1133	2925	1133	2955	1172	2985	
2600	2808	874	2840	916	2871	959	2902	1003	2932	1046	2961	1090	2990	1133	3019	1176	3048	1217	3077	1257	3106	1297	3106	1297	3135	1336	3164	
2800	3006	1054	3035	1096	3064	1139	3092	1181	3121	1223	3149	1265	3177	1305	3205	1344	3234	1383	3262	1421	3290	1460	3290	1460	3317	1498	3345	
3000	3202	1228	3229	1270	3257	1312	3284	1353	3312	1394	3339	1433	3366	1472	3393	1509	3419	1547	3446	1584	3472	1622	3472	1622	3499	1660	3525	
Total Air cfm	Total Static Pressure - in. w.g.																											
	1.4		1.5		1.6		1.7		1.8		1.9		2.0		1.4		1.5		1.6		1.7		1.8		1.9		2.0	
	RPM	Watts	RPM	Watts	RPM	Watts	RPM	Watts	RPM	Watts	RPM	Watts	RPM	Watts	RPM	Watts	RPM	Watts	RPM	Watts	RPM	Watts	RPM	Watts	RPM	Watts	RPM	Watts
800	---	---	---	---	---	---	---	---	---	---	---	---	---	---	---	---	---	---	---	---	---	---	---	---	---	---	---	---
1000	1923	389	1964	411	2004	431	2043	450	2083	468	2123	486	2163	504	2203	522	2243	540	2283	558	2323	576	2363	594	2403	612	2443	
1200	2057	473	2097	494	2136	514	2176	534	2215	553	2254	574	2293	596	2332	618	2371	644	2410	672	2449	700	2488	728	2527	756	2566	
1400	2205	549	2245	571	2284	594	2322	618	2360	644	2396	672	2432	702	2468	733	2501	768	2532	805	2563	842	2594	884	2625	924	2656	
1600	2360	637	2398	667	2434	699	2468	733	2501	768	2532	805	2563	842	2594	884	2625	924	2656	966	2687	1008	2718	1050	2749	1092	2780	
1800	2519	763	2552	801	2583	840	2614	879	2644	918	2674	957	2704	995	2734	1034	2764	1073	2794	1112	2824	1151	2854	1190	2884	1229	2914	
2000	2677	924	2708	963	2739	1003	2769	1041	2799	1080	2829	1118	2859	1155	2889	1196	2919	1234	2949	1272	2979	1310	3009	1348	3039	1386	3069	
2200	2842	1089	2873	1127	2902	1166	2932	1203	2962	1241	2991	1278	3021	1315	3051	1348	3081	1386	3111	1424	3141	1462	3171	1500	3201	1538	3231	
2400	3015	1250	3044	1289	3074	1327	3103	1364	3132	1402	3162	1439	3192	1476	3222	1510	3251	1548	3281	1586	3311	1624	3341	1662	3371	1700	3401	
2600	3192	1412	3221	1450	3250	1488	3279	1525	3308	1562	3337	1599	3367	1635	3397	1635	3426	1672	3455	1710	3485	1748	3515	1786	3545	1824	3575	
2800	3372	1574	3400	1611	3428	1648	3456	1685	3485	1721	3514	1758	3543	1794	3573	1810	3602	1847	3631	1884	3660	1920	3689	1956	3719	2000	3759	
3000	3552	1735	3578	1772	3605	1808	3633	1844	3660	1880	3689	1916	3717	1952	3745	1980	3771	2016	3800	2052	3829	2088	3859	2124	3889	2160	3919	

## BLOWER DATA

### FACTORY INSTALLED OPTIONS/FIELD INSTALLED ACCESSORY AIR RESISTANCE - in. w.g.

Air Volume cfm	Wet Indoor Coil		Gas Heating			Economizer	Filters		
	036, 048	060	Standard Heat	Medium Heat	High Heat		MERV 8	MERV 13	MERV 16
800	0.01	---	0.02	0.02	0.02	0.04	0.04	0.05	0.04
1000	0.02	0.02	0.02	0.02	0.02	0.04	0.04	0.07	0.05
1200	0.03	0.04	0.02	0.02	0.02	0.04	0.04	0.07	0.05
1400	0.04	0.05	0.02	0.02	0.03	0.04	0.04	0.07	0.06
1600	0.05	0.07	0.02	0.03	0.04	0.04	0.04	0.07	0.08
1800	0.06	0.08	0.03	0.04	0.05	0.05	0.04	0.07	0.09
2000	0.08	0.10	0.03	0.04	0.06	0.05	0.05	0.08	0.10
2200	---	0.11	0.04	0.04	0.07	0.05	0.05	0.08	0.11
2400	---	0.13	0.04	0.05	0.08	0.05	0.05	0.08	0.12

### POWER EXHAUST FAN PERFORMANCE

Return Air System Static Pressure in. w.g.	Air Volume Exhausted cfm
0.00	2000
0.05	1990
0.10	1924
0.15	1810
0.20	1664
0.25	1507
0.30	1350
0.35	1210

### CEILING DIFFUSERS AIR RESISTANCE (in. w.g.)

Air Volume - cfm	RTD11-95S Step-Down Diffuser			FD11-95S Flush Diffuser
	2 Ends Open	1 Side & 2 Ends Open	All Ends & Sides Open	
1800	0.13	0.11	0.09	0.09
2000	0.15	0.13	0.11	0.10
2200	0.18	0.15	0.12	0.12
2400	0.21	0.18	0.15	0.14
2600	0.24	0.21	0.18	0.17
2800	0.27	0.24	0.21	0.20
3000	0.32	0.29	0.25	0.25

### CEILING DIFFUSER AIR THROW DATA

Air Volume - cfm	<sup>1</sup> Effective Throw - ft.	
	RTD11-95S	FD11-95S
2600	24 - 29	19 - 24
2800	25 - 30	20 - 28
3000	27 - 33	21 - 29

<sup>1</sup> Effective throw based on terminal velocities of 75 ft. per minute.



## ELECTRICAL DATA

**3 TON**

Model		LDT036H5						
<sup>1</sup> Voltage - 60Hz		208/230V - 1 Ph	208/230V - 3 Ph		460V - 3 Ph		575V - 3 Ph	
Compressor (Non-Inverter)	Rated Load Amps	14.6	9.9		4.8		3.5	
	Locked Rotor Amps	90	82		44.3		28.7	
Outdoor Fan Motor	Full Load Amps (1 ECM)	2.8	2.8		1.4		1.1	
Power Exhaust (1) 0.33 HP	Full Load Amps	2.4	2.4		1.3		1	
Service Outlet 115V GFI (amps)		15	15		15		20	
Indoor Blower Motor	HP	0.5	0.5	1.5	0.5	1.5	0.5	1.5
	Full Load Amps	4.3	4.3	4.4	2.2	2.3	1.7	2.3
<sup>2</sup> Maximum Overcurrent Protection (MOCP)	Unit Only	35	25	25	15	15	15	15
	With (1) 0.33 HP Power Exhaust	40	30	30	15	15	15	15
<sup>3</sup> Minimum Circuit Ampacity (MCA)	Unit Only	26	20	20	10	10	8	8
	With (1) 0.33 HP Power Exhaust	28	22	22	11	12	9	9

NOTE - All units have a minimum Short Circuit Current Rating (SCCR) of 5000 amps.

<sup>1</sup> Extremes of operating range are plus and minus 10% of line voltage.

<sup>2</sup> HACR type breaker or fuse.

<sup>3</sup> Refer to National or Canadian Electrical Code manual to determine wire, fuse and disconnect size requirements.

## ELECTRICAL DATA

**4 TON**

Model		LDT048H5						
<sup>1</sup> Voltage - 60Hz		208/230V - 1 Ph	208/230V - 3 Ph		460V - 3 Ph		575V - 3 Ph	
Compressor (Non-Inverter)	Rated Load Amps	18.3	11.9		6.8		4.8	
	Locked Rotor Amps	138	112		61.8		39	
Outdoor Fan Motor	Full Load Amps (1 ECM)	2.8	2.8		1.4		1.1	
Power Exhaust (1) 0.33 HP	Full Load Amps	2.4	2.4		1.3		1	
Service Outlet 115V GFI (amps)		15	15		15		20	
Indoor Blower Motor	HP	1	1	1.5	1	1.5	1	1.5
	Full Load Amps	7.4	7.4	4.4	3.7	2.3	3	2.3
<sup>2</sup> Maximum Overcurrent Protection (MOCP)	Unit Only	50	35	30	20	15	15	15
	With (1) 0.33 HP Power Exhaust	50	35	35	20	20	15	15
<sup>3</sup> Minimum Circuit Ampacity (MCA)	Unit Only	34	26	23	14	13	11	11
	With (1) 0.33 HP Power Exhaust	36	28	25	15	14	11	12

NOTE - All units have a minimum Short Circuit Current Rating (SCCR) of 5000 amps.

<sup>1</sup> Extremes of operating range are plus and minus 10% of line voltage.

<sup>2</sup> HACR type breaker or fuse.

<sup>3</sup> Refer to National or Canadian Electrical Code manual to determine wire, fuse and disconnect size requirements.

## ELECTRICAL DATA

5 TON

Model		LDT060H5						
<sup>1</sup> Voltage - 60Hz		208/230V - 1 Ph	208/230V - 3 Ph		460V - 3 Ph		575V - 3 Ph	
Compressor (Non-Inverter)	Rated Load Amps	25.2	13.8		6.9		5.8	
	Locked Rotor Amps	147.3	150		58		47.8	
Outdoor Fan Motor	Full Load Amps (1 ECM)	2.8	2.8		1.4		1.1	
Power Exhaust (1) 0.33 HP	Full Load Amps	2.4	2.4		1.3		1	
Service Outlet 115V GFI (amps)		15	15		15		20	
Indoor Blower Motor	HP	1	1	1.5	1	1.5	1	1.5
	Full Load Amps	7.4	7.4	4.4	3.7	2.3	3	2.3
<sup>2</sup> Maximum Overcurrent Protection (MOCP)	Unit Only	60	40	35	20	15	15	15
	With (1) 0.33 HP Power Exhaust	60	40	40	20	20	15	15
<sup>3</sup> Minimum Circuit Ampacity (MCA)	Unit Only	42	28	25	14	13	12	11
	With (1) 0.33 HP Power Exhaust	45	30	27	16	14	13	12

NOTE - All units have a minimum Short Circuit Current Rating (SCCR) of 5000 amps.

<sup>1</sup> Extremes of operating range are plus and minus 10% of line voltage.

<sup>2</sup> HACR type breaker or fuse.

<sup>3</sup> Refer to National or Canadian Electrical Code manual to determine wire, fuse and disconnect size requirements.

## ELECTRICAL DATA

6 TON

Model		LDT072H5		
<sup>1</sup> Voltage - 60Hz		208/230V - 3 Ph	460V - 3 Ph	575 - 3Ph
Compressor	Rated Load Amps	19.2	9.1	6.2
	Locked Rotor Amps	162.3	70.8	58.2
Outdoor Fan Motor	Full Load Amps (1 ECM)	2.8	1.4	1.1
Power Exhaust (1) 0.33 HP	Full Load Amps	2.4	1.3	1
Service Outlet 115V GFI (amps)		15	15	20
Indoor Blower Motor	HP	1.5	1.5	1.5
	Full Load Amps	4.4	2.3	2.3
<sup>2</sup> Maximum Overcurrent Protection (MOCP)	Unit Only	50	20	15
	With (1) 0.33 HP Power Exhaust	50	25	15
<sup>3</sup> Minimum Circuit Ampacity (MCA)	Unit Only	32	16	12
	With (1) 0.33 HP Power Exhaust	34	17	13

NOTE - All units have a minimum Short Circuit Current Rating (SCCR) of 5000 amps.

<sup>1</sup> Extremes of operating range are plus and minus 10% of line voltage.

<sup>2</sup> HACR type breaker or fuse.

<sup>3</sup> Refer to National or Canadian Electrical Code manual to determine wire, fuse and disconnect size requirements.

### FIELD WIRING NOTES

- For use with copper wiring only
- Field wiring not furnished
- All wiring must conform to NEC or CEC and local electrical codes
- For specific wiring information, please refer to the installation instructions

## OUTDOOR SOUND DATA

Size	Octave Band Sound Power Levels dBA, re 10 <sup>-12</sup> Watts Center Frequency - Hz							<sup>1</sup> Sound Rating Number dBA
	125	250	500	1000	2000	4000	8000	
036, 048	63	66	70	71	68	62	53	75
060, 072	67	72	77	76	73	68	61	82

NOTE - The octave sound power data does not include tonal corrections.

<sup>1</sup> Sound Rating Number according to AHRI Standard 270-95 (includes pure tone penalty). Sound Rating Number is the overall A-Weighted Sound Power Level, (Lwa), dBA (100 Hz to 10,000 Hz).

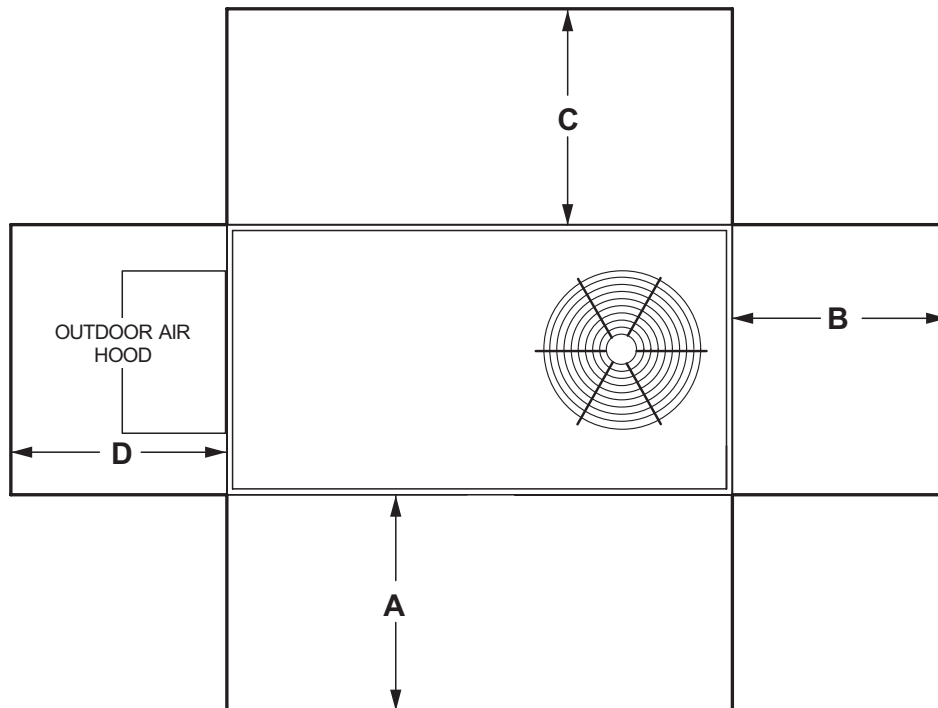
## WEIGHT DATA

Size	Net		Shipping		UNIT
	lbs.	kg	lbs.	kg	
036 Base Unit	674	306	714	324	
036 Max. Unit	812	368	852	386	
048 Base Unit	670	304	710	322	
048 Max. Unit	808	367	848	385	
060 Base Unit	715	324	756	343	
060 Max. Unit	840	381	881	400	
072 Base Unit	715	324	756	343	
072 Max. Unit	840	381	881	400	

## FACTORY / FIELD INSTALLED OPTIONS AND ACCESSORIES - NET WEIGHTS

Description	lbs.	kg	
<b>ECONOMIZER / OUTDOOR AIR / EXHAUST</b>			
<b>Economizer</b>			
Economizer, Includes Combination Outdoor Air Hood and Barometric Relief Dampers	84	38	
<b>Outdoor Air Dampers</b>			
Motorized	40	18	
Manual	30	14	
<b>Power Exhaust</b>	35	17	
<b>GAS HEAT</b>			
Medium Heat (adder over low heat)	8	4	
High Heat (adder over standard heat)	19	9	
<b>COMBINATION COIL/HAIL GUARDS</b>			
All models	31	14	
<b>ROOF CURBS</b>			
<b>Hybrid Roof Curbs, Downflow</b>			
8 in. height	86	39	
14 in. height	108	49	
18 in. height	125	57	
24 in. height	147	67	
<b>Adjustable Pitch Curb, Downflow</b>			
14 in. height	147	67	
<b>CEILING DIFFUSERS</b>			
Step-Down	RTD9-65S	80	36
Flush	FD9-65S	80	36
Transitions	T1TRAN10AN1	22	10

## UNIT CLEARANCES



1 Unit Clearance	A		B		C		D		Top Clearance
	in.	mm	in.	mm	in.	mm	in.	mm	
Service Clearance	48	1219	36	914	36	934	36	914	Unobstructed
Clearance to Combustibles	36	914	1	25	1	25	1	25	
Minimum Operation Clearance	36	914	36	914	36	914	36	914	

NOTE - Entire perimeter of unit base requires support when elevated above the mounting surface.

<sup>1</sup> Service Clearance - Required for removal of serviceable parts.

Clearance to Combustibles - Required clearance to combustible material.

Minimum Operation Clearance - Required clearance for proper unit operation.

**DIMENSIONS**

**UNIT**

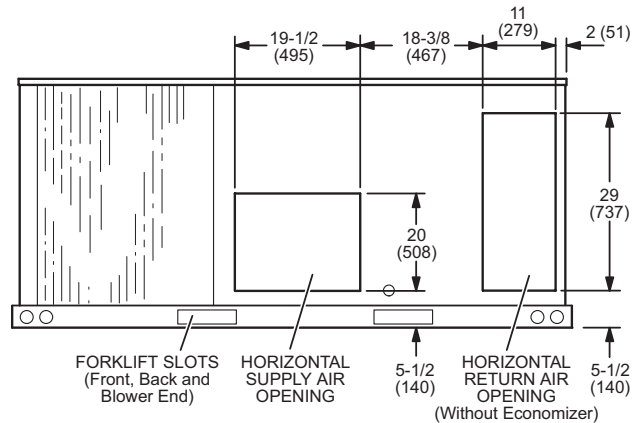
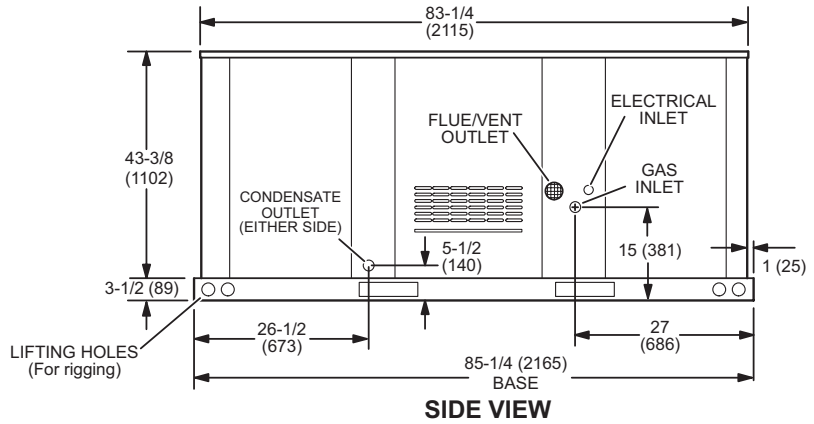
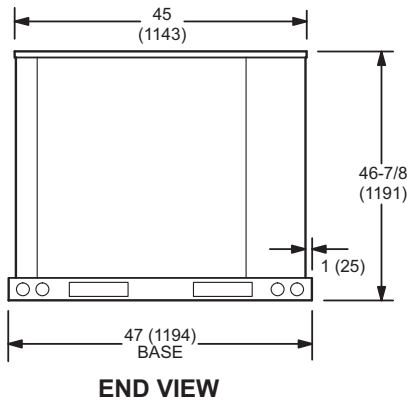
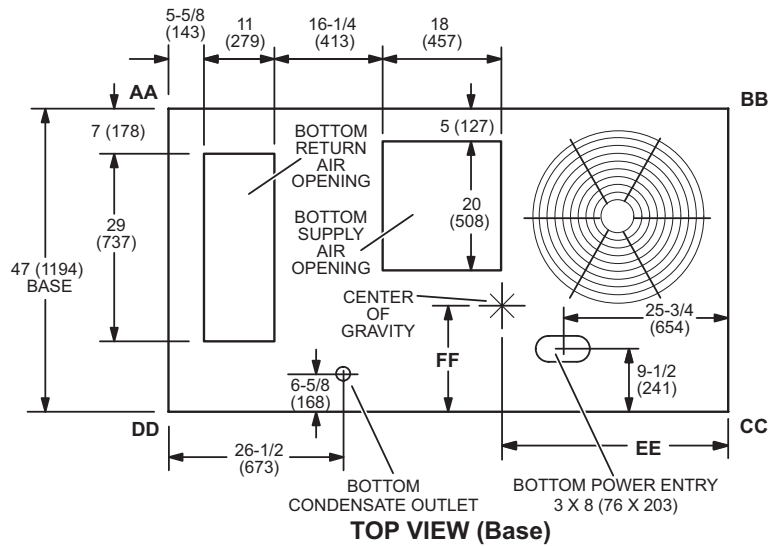
**CORNER WEIGHTS**

**CENTER OF GRAVITY**

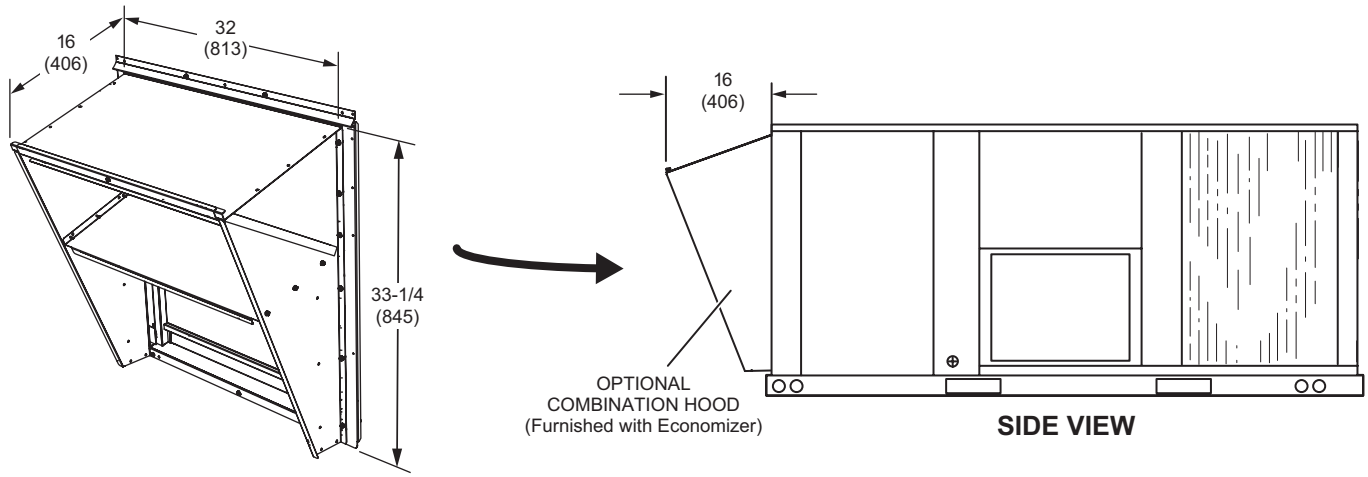
Model	AA		BB		CC		DD		EE		FF	
	lbs.	kg	lbs.	kg	lbs.	kg	lbs.	kg	in.	mm	in.	mm
LDT036 Base Unit	144	65	171	78	195	88	164	74	38	965	22	559
LDT036 Max. Unit	192	87	188	85	214	97	218	99	42	1067	22	559
LDT048 Base Unit	143	65	170	77	194	88	163	74	38	965	22	559
LDT048 Max. Unit	191	87	187	85	213	97	217	98	42	1067	22	559
LDT060 Base Unit	181	82	154	70	175	79	206	93	45	1143	22	559
LDT060 Max. Unit	241	109	152	69	173	78	274	124	51	1295	22	559
LDT072 Base Unit	181	82	154	70	175	79	206	93	45	1143	22	559
LDT072 Max. Unit	241	109	152	69	173	78	274	124	51	1295	22	559

Base Unit - The unit with NO INTERNAL OPTIONS.

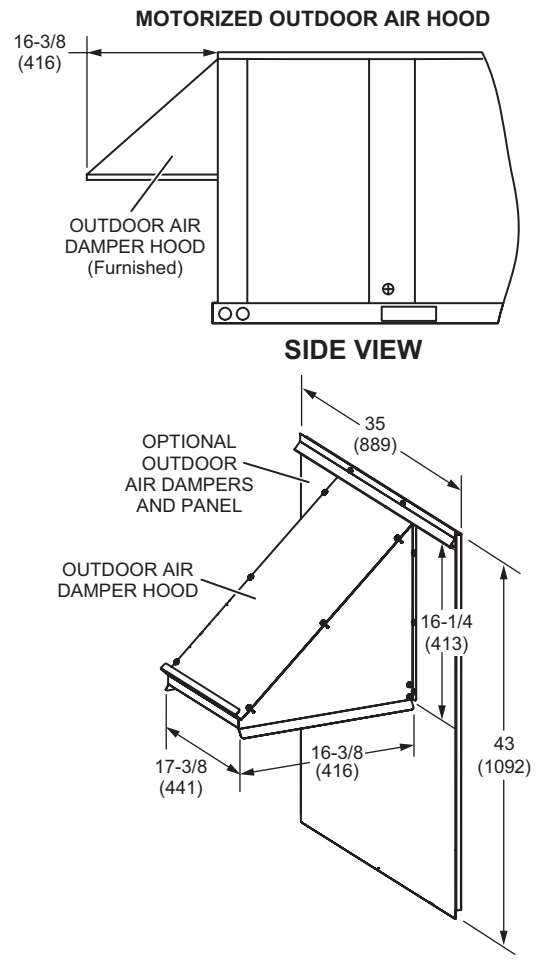
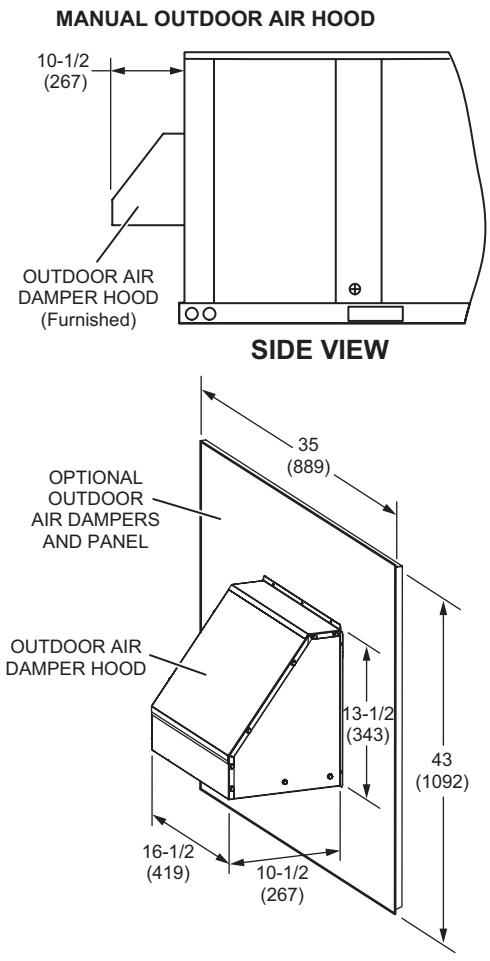
Max. Unit - The unit with ALL INTERNAL OPTIONS Installed. (Economizer, Standard Static Power Exhaust Fans, Controls, etc.). Does not include accessories external to unit or high static power exhaust.



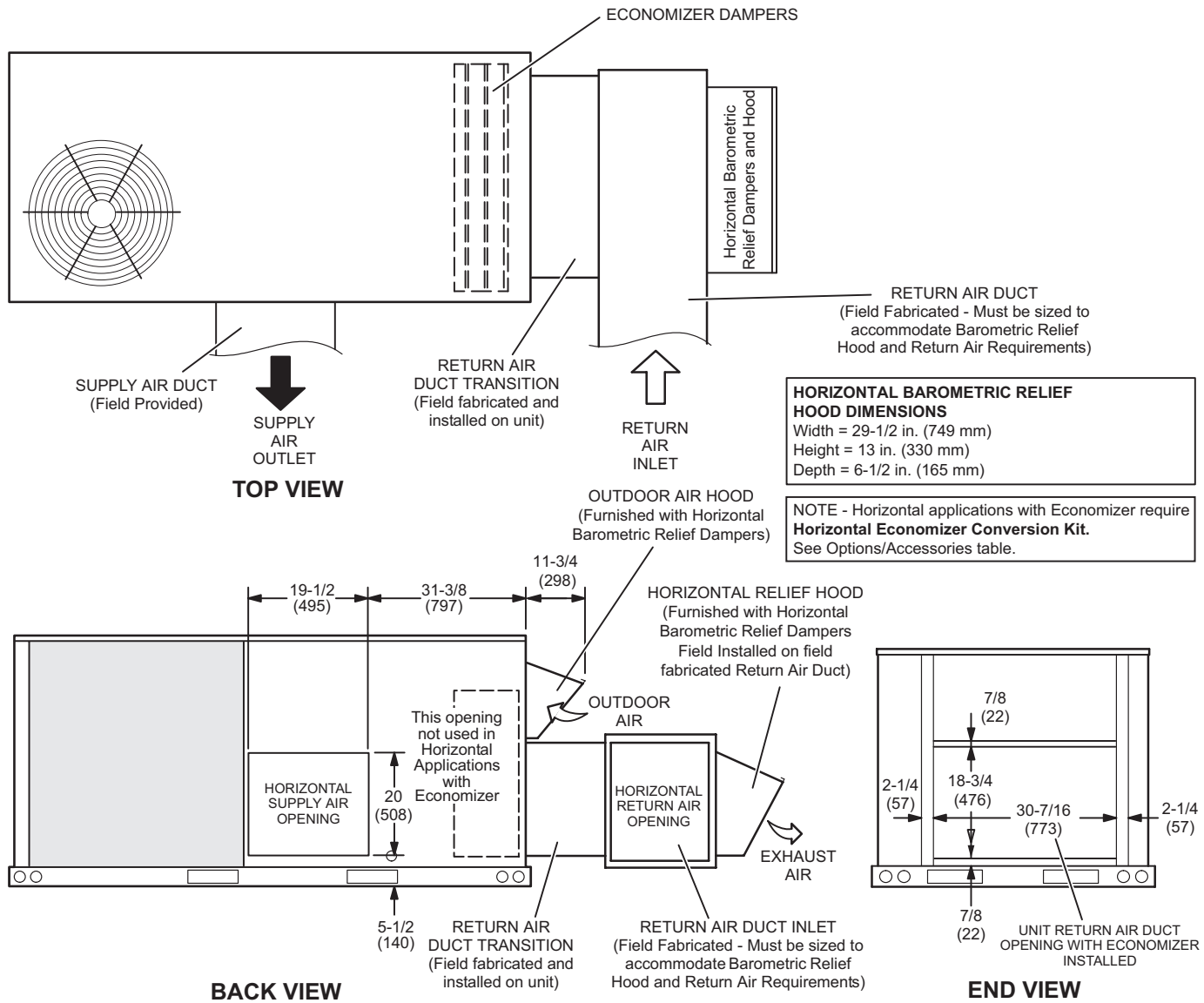
**COMBINATION OUTDOOR AIR HOOD DETAIL FOR OPTIONAL ECONOMIZER AND BAROMETRIC RELIEF DAMPERS  
(Furnished With Economizer for Downflow Applications)**



**OUTDOOR AIR DAMPER HOOD DETAIL (Downflow or Horizontal Applications)**

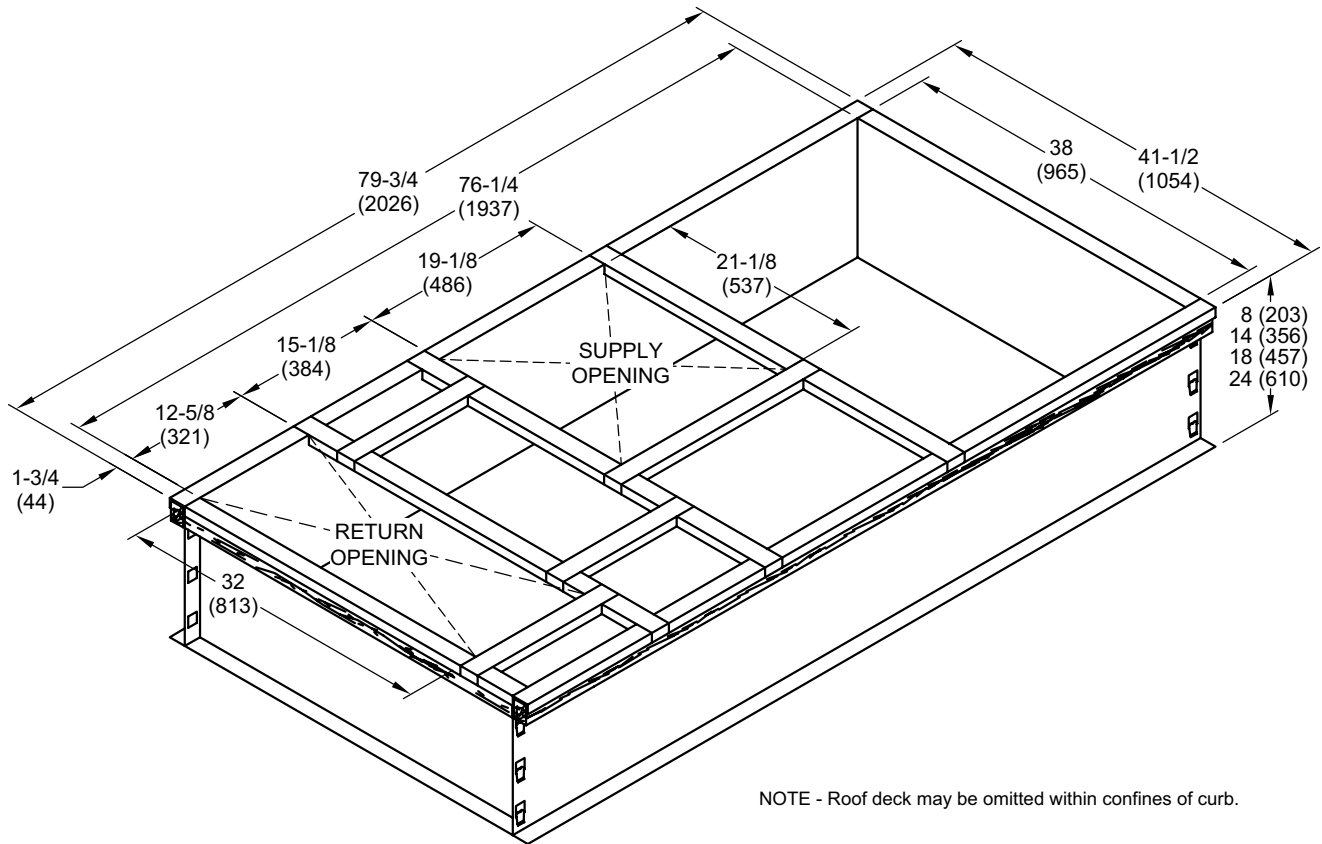


**HORIZONTAL ECONOMIZER APPLICATIONS - OUTDOOR AIR HOOD DETAIL WITH OPTIONAL ECONOMIZER DAMPERS AND OPTIONAL HORIZONTAL BAROMETRIC RELIEF DAMPERS AND HOOD**

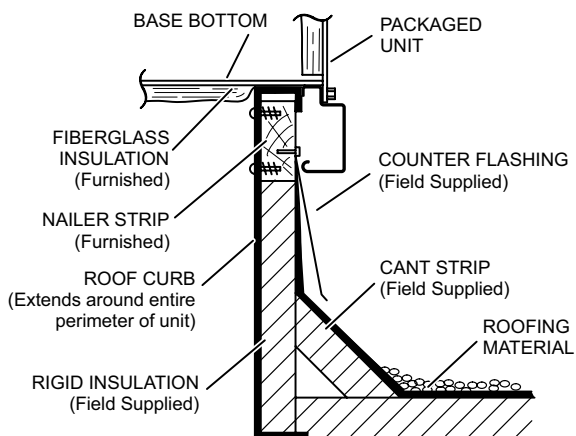


**NOTE - Return Air Duct and Transition must be supported.**

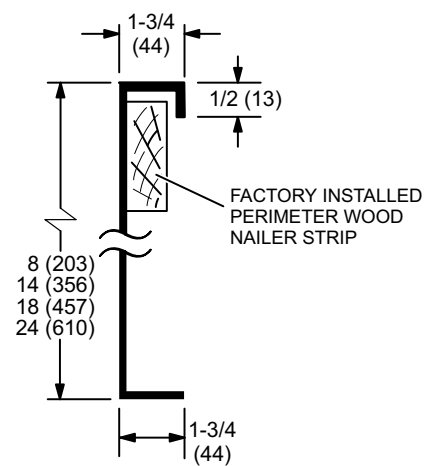
**HYBRID ROOF CURBS - DOUBLE DUCT OPENING**



**TYPICAL FLASHING DETAIL FOR ROOF CURB**

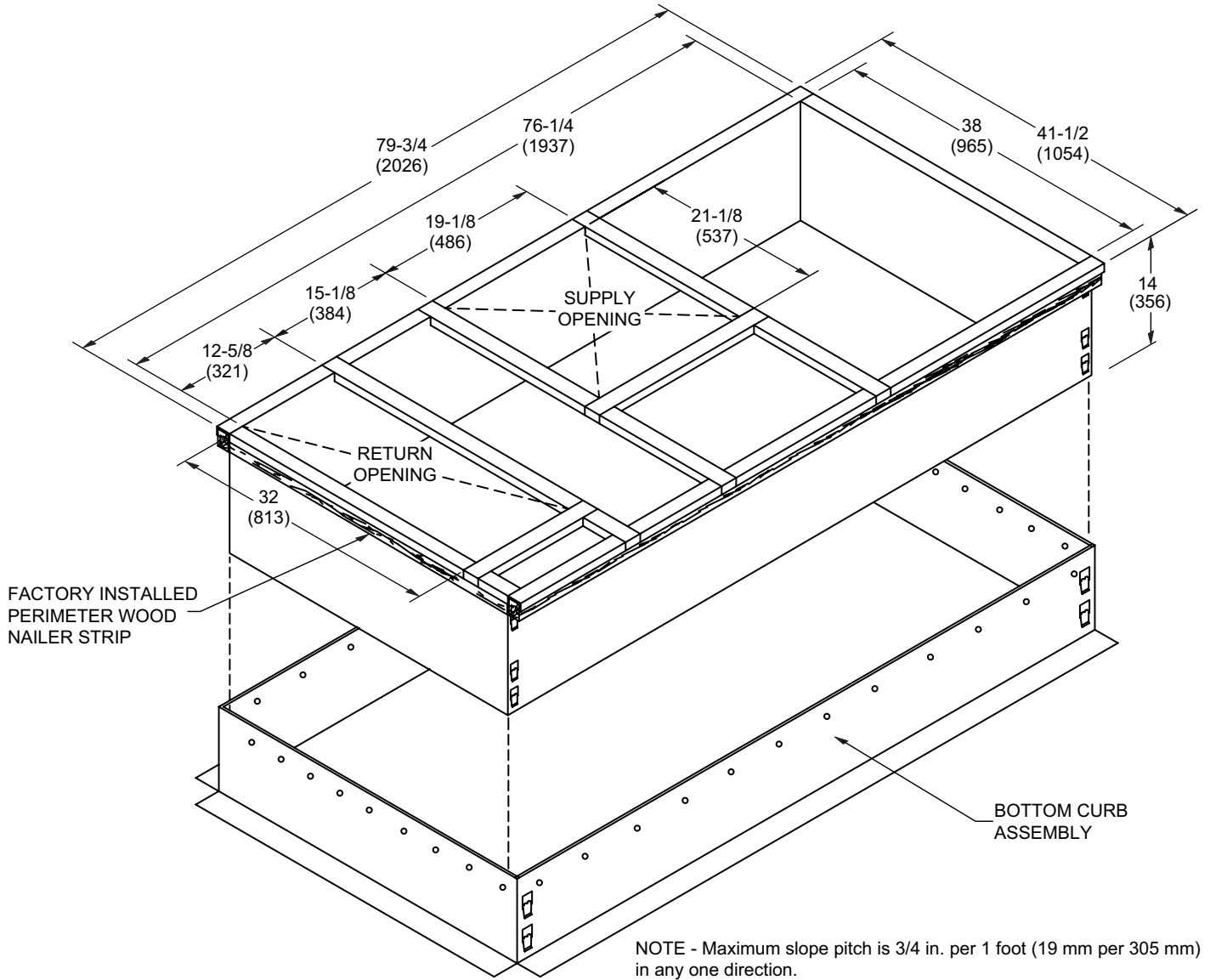


**DETAIL ROOF CURB**

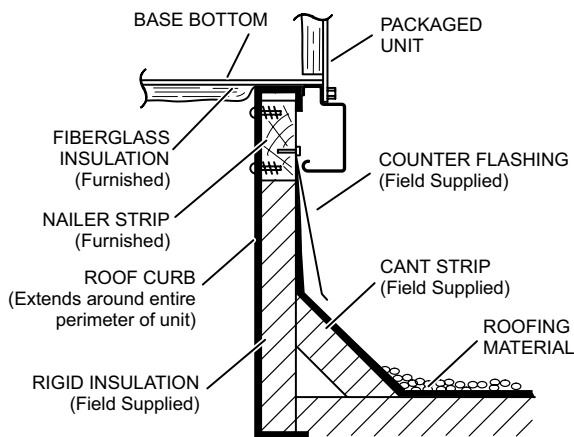




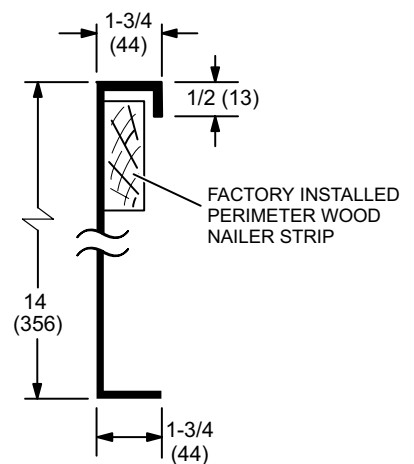
**ADJUSTABLE PITCH CURBS - DOUBLE DUCT OPENING**



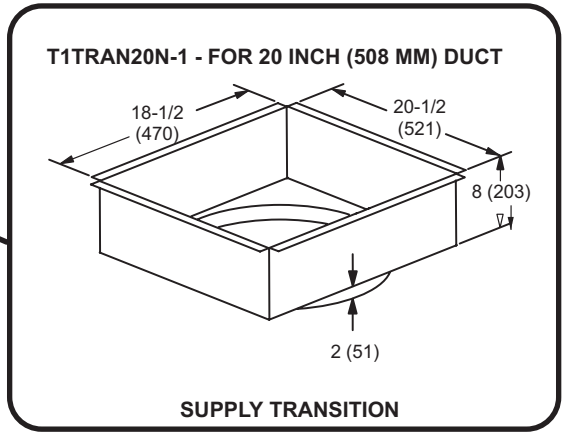
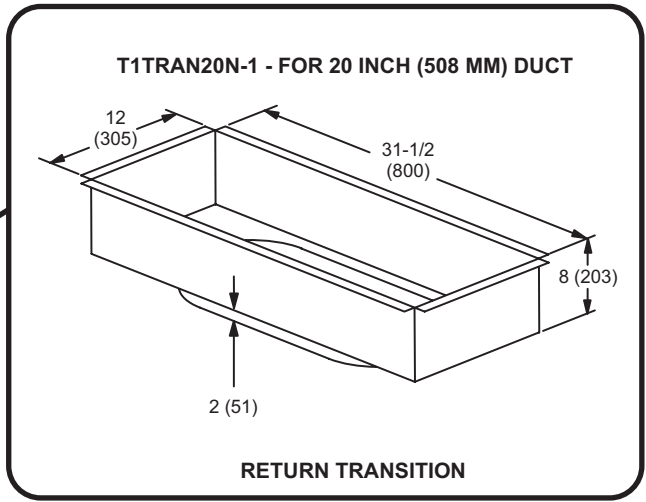
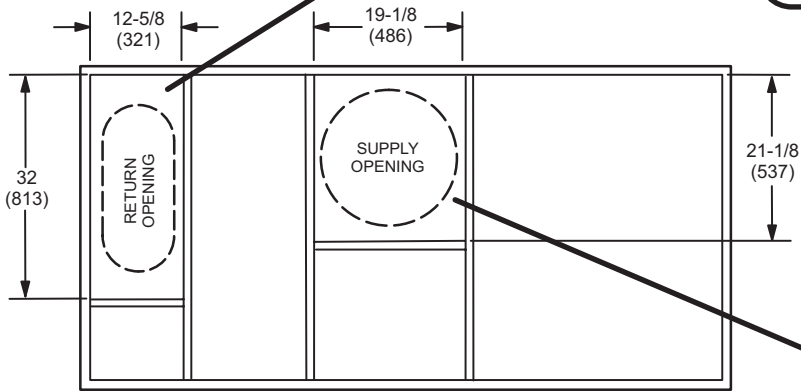
**TYPICAL FLASHING DETAIL FOR ROOF CURB**



**DETAIL ROOF CURB**

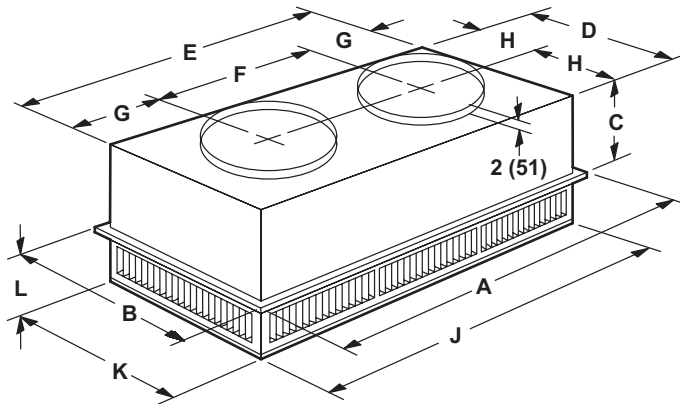


**TRANSITIONS**

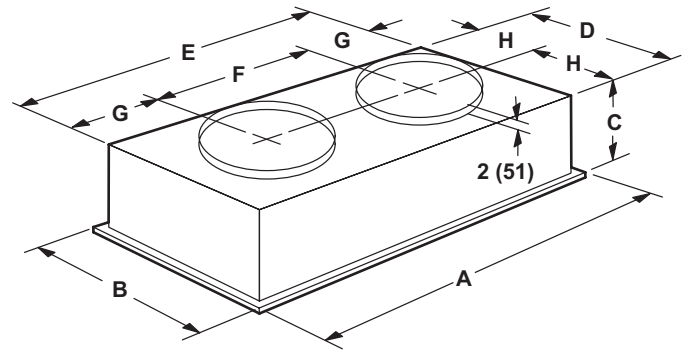


**COMBINATION CEILING SUPPLY AND RETURN DIFFUSERS**

**STEP-DOWN CEILING DIFFUSER**



**FLUSH CEILING DIFFUSER**



Model		RTD11-95S
A	in.	47-5/8
	mm	1159
B	in.	29-5/8
	mm	752
C	in.	14-3/8
	mm	365
D	in.	27-1/2
	mm	699
E	in.	45-1/2
	mm	1158
F	in.	22-1/2
	mm	572
G	in.	11-1/2
	mm	292
H	in.	13-3/4
	mm	349
J	in.	45-1/2
	mm	1156
K	in.	27-1/2
	mm	699
L	in.	8-1/8
	mm	206
Duct Size	in.	20 round
	mm	508 round

Model		FD11-95S
A	in.	47-5/8
	mm	1159
B	in.	29-5/8
	mm	752
C	in.	16-5/8
	mm	422
D	in.	27
	mm	686
E	in.	45
	mm	1143
F	in.	22-1/2
	mm	572
G	in.	11-1/4
	mm	286
H	in.	13-1/2
	mm	343
Duct Size	in.	20 round
	mm	508 round



Visit us at [www.Lennox.com](http://www.Lennox.com)

For the latest technical information, [www.LennoxCommercial.com](http://www.LennoxCommercial.com)

Contact us at 1-800-4-LENNOX

NOTE - Due to Lennox' ongoing commitment to quality, Specifications, Ratings and Dimensions subject to change without notice and without incurring liability. Improper installation, adjustment, alteration, service or maintenance can cause property damage or personal injury. Installation and service must be performed by a qualified installer and servicing agency.

©2024 Lennox Industries, Inc.