



538353-01

01

02

03

04

05

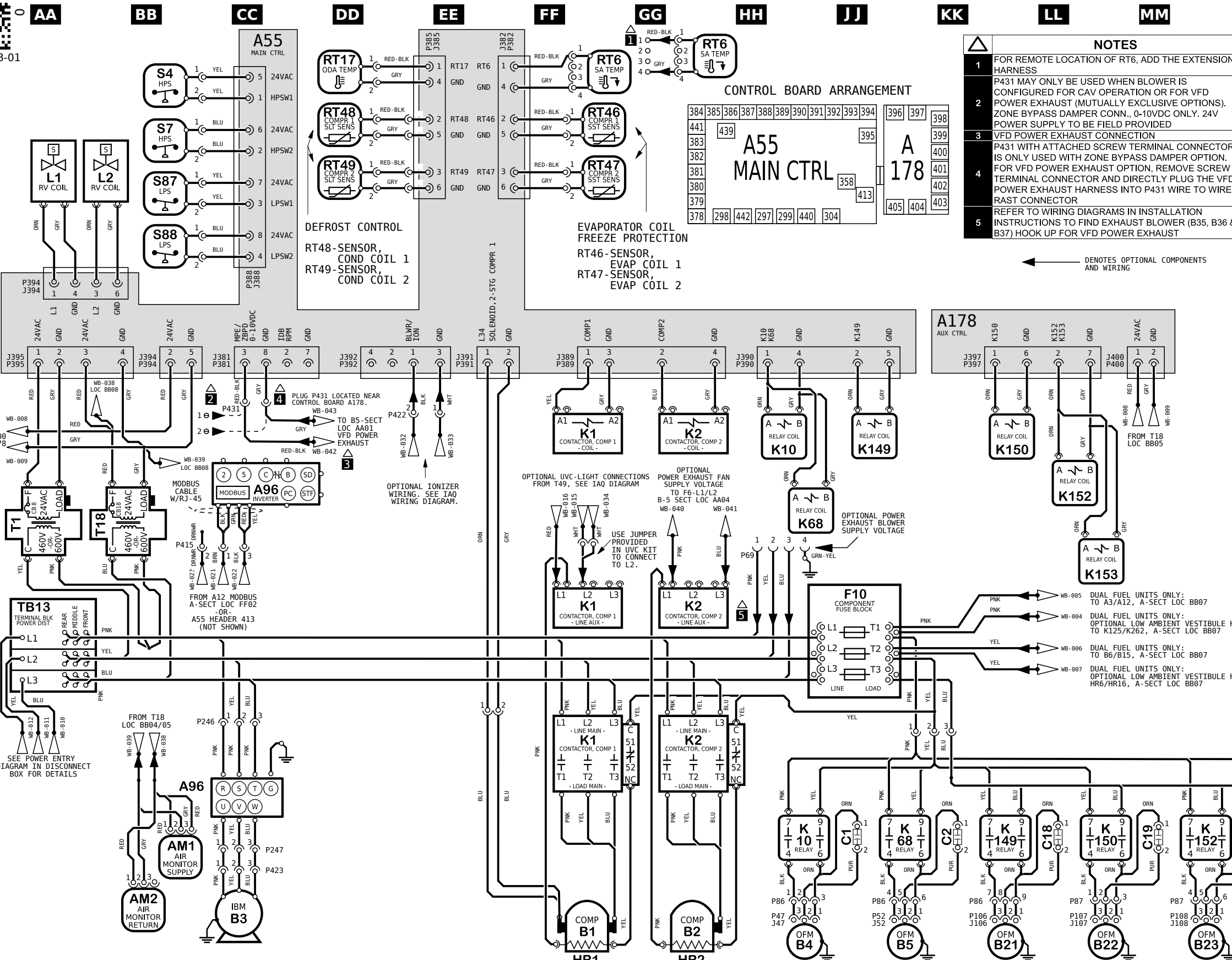
06

07

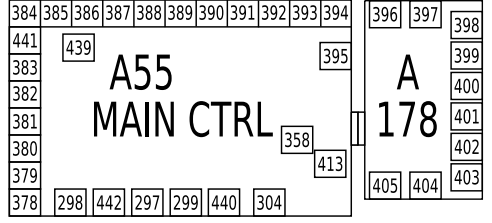
08

09

10



CONTROL BOARD ARRANGEMENT

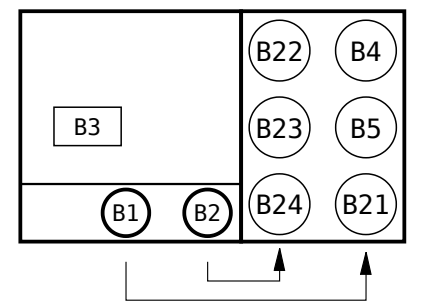


NOTES	
1	FOR REMOTE LOCATION OF RT6, ADD THE EXTENSION HARNESS
2	P431 MAY ONLY BE USED WHEN BLOWER IS CONFIGURED FOR CAV OPERATION OR FOR VFD POWER EXHAUST (MUTUALLY EXCLUSIVE OPTIONS). ZONE BYPASS DAMPER CONN., 0-10VDC ONLY. 24V POWER SUPPLY TO BE FIELD PROVIDED
3	VFD POWER EXHAUST CONNECTION
4	P431 WITH ATTACHED SCREW TERMINAL CONNECTOR IS ONLY USED WITH ZONE BYPASS DAMPER OPTION. FOR VFD POWER EXHAUST OPTION, REMOVE SCREW TERMINAL CONNECTOR AND DIRECTLY PLUG THE VFD POWER EXHAUST HARNESS INTO P431 WIRE TO WIRE RAST CONNECTOR
5	REFER TO WIRING DIAGRAMS IN INSTALLATION INSTRUCTIONS TO FIND EXHAUST BLOWER (B35, B36 & B37) HOOK UP FOR VFD POWER EXHAUST

← DENOTES OPTIONAL COMPONENTS AND WIRING

KEY LIST		
LOCATION	COMPONENT DESCRIPTION	
CC05, CC08	A96	CONTROL INVERTER, BLOWER
BB09	AM1, AM2	AIR MONITOR, SUPPLY/RETURN, IAQ-TVOC
FF/GG10	B1, B2	COMPRESSOR 1, 2
CC10	B3	MOTOR, BLOWER
HH/JJ10 LL/MM10 NN/PP10	B4, B5, B21, B22, B23, B24	MOTOR, OUTDOOR FAN 1, 2 MOTOR, OUTDOOR FAN 3, 4 MOTOR, OUTDOOR FAN 5, 6
JJ/KK/LL09 MM/NN/PP09	C1, C2, C18, C19, C20, C21	CAPACITOR, OUTDOOR FAN 1, 2, 3, 4, 5, 6
JJ07	F10	FUSE, COMPONENT
FF/GG10	HR1, HR2	HEATER, COMPRESSOR 1, 2
FF/GG05, 06, 08	K1, K2	CONTACTOR, COMPRESSOR 1, 2
HH/JJ05, 09 LL/MM/NN 05, 06, 09	K10, K68, K149, K150, K152, K153	RELAY, OUTDOOR FAN 1, 2, 3 RELAY, OUTDOOR FAN 4, 5, 6
AA/BB02	L1, L2	VALVE, REVERSING, SOLENOID
GG01	RT6	SENSOR, A55 DISCHARGE (IMC)
DD01	RT17	SENSOR, OUTSIDE AIR TEMP
FF01/02	RT46, RT47	SENSOR, SAT. SUCT TEMP., COMP 1, 2
DD01/02	RT48, RT49	SENSOR, SAT. LIQUID TEMP., COMP 1, 2
BB01/02	S4, S7	LIMIT, HI PRESS. SWITCH, COMP 1, 2
BB02/03	S87, S88	SWITCH, LOW PRESS., COMP. 1, 2
AA06	T1	TRANSFORMER, CONTROL
BB06	T18	TRANSFORMER, CONTACTOR
AA07	TB13	TERMINAL STRIP, POWER DISTRIBUTION

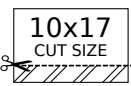
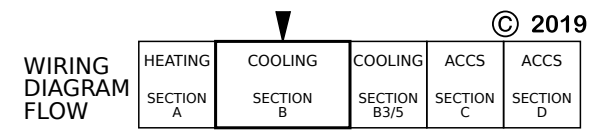
BASIC RTU LAYOUT



WARNING
DISCONNECT ALL POWER BEFORE SERVICING.
ELECTRIC SHOCK HAZARD. CAN CAUSE INJURY OR DEATH. UNIT MUST BE GROUNDED IN ACCORDANCE WITH NATIONAL AND LOCAL CODES.
FOR USE WITH COPPER CONDUCTORS ONLY. REFER TO UNIT RATING PLATE FOR MINIMUM CIRCUIT AMPACITY AND MAXIMUM OVERCURRENT PROTECTION SIZE.
IF ANY WIRE IN THIS APPLIANCE IS REPLACED, IT MUST BE REPLACED WITH WIRE OF LIKE SIZE, RATING AND INSULATION THICKNESS.

Model: LHT, LDT 302 - G, J-VOLT
COOLING - MSAV- NO BYPASS

Voltage: 460V/3~60Hz (G), 575V/3~60Hz (J)
Supersedes: N/A Form No: 538353-01 Rev: 0



REV	EC NO.	DATE	BY	APVD	REVISION NOTE
---	CN-012295C	04-02-2024	MXR6	MXT5	ORIGINATED AT PD&R CARROLLTON, TX

© 2019



01

02

03

04

05

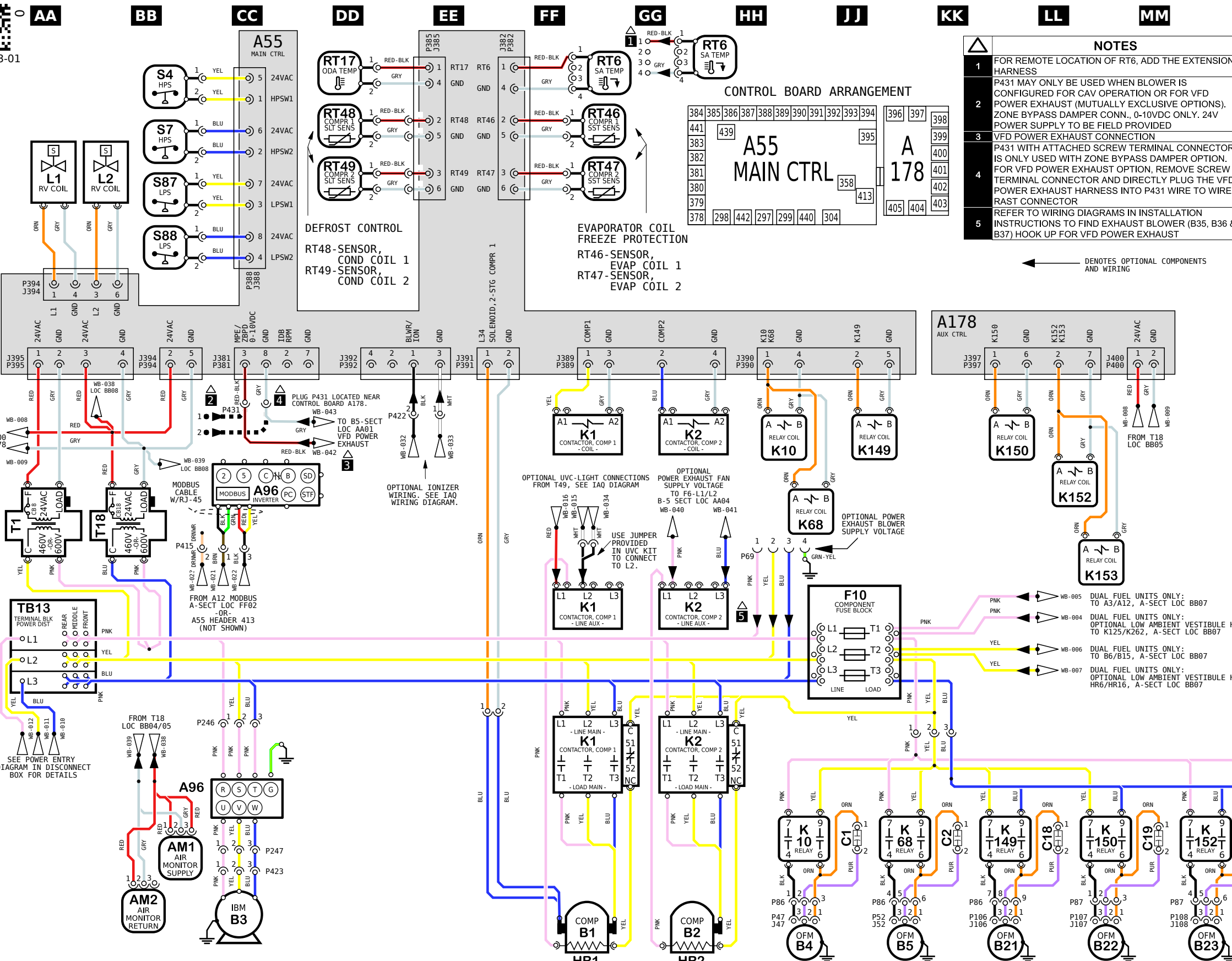
06

07

08

09

10



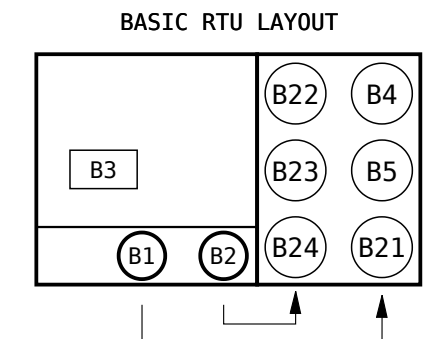
NOTES

- FOR REMOTE LOCATION OF RT6, ADD THE EXTENSION HARNESS
- P431 MAY ONLY BE USED WHEN BLOWER IS CONFIGURED FOR CAV OPERATION OR FOR VFD POWER EXHAUST (MUTUALLY EXCLUSIVE OPTIONS). ZONE BYPASS DAMPER CONN., 0-10VDC ONLY. 24V POWER SUPPLY TO BE FIELD PROVIDED
- VFD POWER EXHAUST CONNECTION
P431 WITH ATTACHED SCREW TERMINAL CONNECTOR IS ONLY USED WITH ZONE BYPASS DAMPER OPTION. FOR VFD POWER EXHAUST OPTION, REMOVE SCREW TERMINAL CONNECTOR AND DIRECTLY PLUG THE VFD POWER EXHAUST HARNESS INTO P431 WIRE TO WIRE RAST CONNECTOR
- REFER TO WIRING DIAGRAMS IN INSTALLATION INSTRUCTIONS TO FIND EXHAUST BLOWER (B35, B36 & B37) HOOK UP FOR VFD POWER EXHAUST

← DENOTES OPTIONAL COMPONENTS AND WIRING

KEY LIST

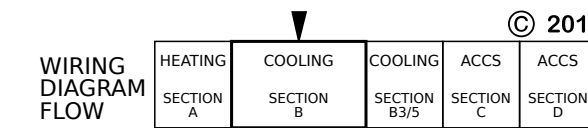
LOCATION	COMPONENT DESCRIPTION	
CC05, CC08	A96	CONTROL INVERTER, BLOWER
BB09	AM1, AM2	AIR MONITOR, SUPPLY/RETURN, IAQ-TVOC
FF/GG10	B1, B2	COMPRESSOR 1, 2
CC10	B3	MOTOR, BLOWER
HH/JJ10 LL/MM10 NN/PP10	B4, B5, B21, B22, B23, B24	MOTOR, OUTDOOR FAN 1, 2 MOTOR, OUTDOOR FAN 3, 4 MOTOR, OUTDOOR FAN 5, 6
JJ/KK/LL09 MM/NN/PP09	C1, C2, C18, C19, C20, C21	CAPACITOR, OUTDOOR FAN 1, 2, 3, 4, 5, 6
JJ07	F10	FUSE, COMPONENT
FF/GG10	HR1, HR2	HEATER, COMPRESSOR 1, 2
FF/GG05, 06, 08	K1, K2	CONTACTOR, COMPRESSOR 1, 2
HH/JJ05, 09 LL/MM/NN 05, 06, 09	K10, K68, K149, K150, K152, K153	RELAY, OUTDOOR FAN 1, 2, 3 RELAY, OUTDOOR FAN 4, 5, 6
AA/BB02	L1, L2	VALVE, REVERSING, SOLENOID
GG01	RT6	SENSOR, A55 DISCHARGE (IMC)
DD01	RT17	SENSOR, OUTSIDE AIR TEMP
FF01/02	RT46, RT47	SENSOR, SAT. SUCT TEMP., COMP 1, 2
DD01/02	RT48, RT49	SENSOR, SAT. LIQUID TEMP., COMP 1, 2
BB01/02	S4, S7	LIMIT, HI PRESS. SWITCH, COMP 1, 2
BB02/03	S87, S88	SWITCH, LOW PRESS., COMP. 1, 2
AA06	T1	TRANSFORMER, CONTROL
BB06	T18	TRANSFORMER, CONTACTOR
AA07	TB13	TERMINAL STRIP, POWER DISTRIBUTION



WARNING
DISCONNECT ALL POWER BEFORE SERVICING.
ELECTRIC SHOCK HAZARD. CAN CAUSE INJURY OR DEATH. UNIT MUST BE GROUNDED IN ACCORDANCE WITH NATIONAL AND LOCAL CODES.
FOR USE WITH COPPER CONDUCTORS ONLY. REFER TO UNIT RATING PLATE FOR MINIMUM CIRCUIT AMPACITY AND MAXIMUM OVERCURRENT PROTECTION SIZE.
IF ANY WIRE IN THIS APPLIANCE IS REPLACED, IT MUST BE REPLACED WITH WIRE OF LIKE SIZE, RATING AND INSULATION THICKNESS.

Model: LHT, LDT 302 - G, J-VOLT
COOLING - MSAV- NO BYPASS

Voltage: 460V/3~60Hz (G), 575V/3~60Hz (J)
Supersedes: N/A Form No: 538353-01 Rev: 0



10x17 CUT SIZE

REV	EC NO.	DATE	BY	APVD	REVISION NOTE
---	CN-012295C	04-02-2024	MXR6	MXT5	ORIGINATED AT PD&R CARROLLTON, TX

© 2019