

**INSTALLATION INSTRUCTIONS FOR THERMISTOR KITS USED ON  
LGM/LCM/LGT/LCT/LHT/LDT024-300 PACKAGED UNITS - WITH R410A**

**Shipping and Packing List**

Package 1 of 1 contains:

- 4- Thermistors with wire harnesses

**⚠ WARNING**

To prevent serious injury or death:

1. Lock-out/tag-out before performing maintenance.
2. If system power is required (e.g., smoke detector maintenance), disable power to blower, remove fan belt where applicable, and ensure all controllers and thermostats are set to the "OFF" position before performing maintenance.
3. Always keep hands, hair, clothing, jewelry, tools, etc., away from moving parts.

Check packaging for shipping damage. Contact the last carrier immediately if any shipping damage is found.

**Application**

Units are equipped with factory-installed thermistors located on different points on the refrigerant circuit. The thermistors provide the Unit Controller with constant temperature readings. These temperatures are used as feedback in certain modes of unit operation. In addition, the Unit Controller uses these temperatures to initiate alarms such as loss of outdoor or indoor coil airflow and loss of charge.

Each thermistor must be specifically placed for proper unit operation and to initiate valid alarms. For proper locations and kit application, see table 1 through 6 for LGM/LCM units and tables 7 through 13 for LGT/LCT/LHT/LDT units.

**NOTE** - Four thermistors are provided in each kit but not all thermistors are used in each application.

**TABLE 1**  
LGM/LCM036, 048

Cat. No.	Ass'y. No.	Sensor Yellow	Figure
22J06	623049-01	RT46	1
22J07	623049-02	RT42	1
22J08	623049-03	RT48	3
22J09	623049-04	RT44	3

**TABLE 2**  
LGM/LCM060, 074

Cat. No.	Ass'y. No.	Sensor Yellow	Figure
22J06	623049-01	RT46	2
22J07	623049-02	RT42	2
22J08	623049-03	RT48	3
22J09	623049-04	RT44	3

**TABLE 3**  
LGM/LCM092, 102, 120, 150

Cat. No.	Ass'y. No.	Sensor Yellow, Blue	Figure
22J06	623049-01	RT46, 47	4
22J07	623049-02	RT42, 43	4
22J08	623049-03	RT48, 49	6
22J09	623049-04	RT44, 45	5

**TABLE 4**  
LGM/LCM156, 180

Cat. No.	Ass'y. No.	Sensor Yel, Blue, Red	Figure
22J06	623049-01	RT46, 47, 50	7
22J07	623049-02	RT42, 43, 54	7
22J08	623049-03	RT48, 49, 52	9
22J09	623049-04	RT44, 45, 56	9

**TABLE 5**  
LGM/LCM210

Cat. No.	Ass'y. No.	Sensor Yel, Blu, Red, Grn	Figure
22J06	623049-01	RT46, 47, 50, 51	8
22J07	623049-02	RT42, 43, 54, 55	8
22J08	623049-03	RT48, 49, 52, 53	10
22J09	623049-04	RT44, 45, 56, 57	10

**TABLE 6**  
LGM/LCM210

Cat. No.	Ass'y. No.	Sensor Yel, Blu, Red, Grn	Figure
22J06	623049-01	RT46, 47, 50, 51	8
22J07	623049-02	RT42, 43, 54, 55	8
22J08	623049-03	RT48, 49, 52, 53	11
22J09	623049-04	RT44, 45, 56, 57	11

**⚠WARNING**

Improper installation, adjustment, alteration, service or maintenance can cause property damage, personal injury or loss of life. Installation and service must be performed by a licensed professional HVAC installer or equivalent, service agency, or the gas supplier.

**⚠CAUTION**

As with any mechanical equipment, contact with sharp sheet metal edges can result in personal injury. Take care while handling this equipment and wear gloves and protective clothing.

**TABLE 7**  
LGT/LCT/LHT/LDT024, 036, 048, 060, 072

Unit	Cat. No.	Ass'y. No.	Sensor Yellow	Figure
LHT/LDT060	22J06	623049-01	RT46	12
LHT/LDT 024, 036, 048	22J06	623049-01	RT46	13
LGT/LCT036, 048, 060, 072	22J06	623049-01	RT46	14
LHT/LDT048	22J08	623049-03	RT48	15
LHT/LDT060	22J08	623049-03	RT48	16
LHT/LDT 024, 036	22J08	623049-03	RT48	17
LGT/LCT036, 048, 060, 072	23V50	623049-05	RT48	18

**TABLE 8**  
LGT/LCT156

Cat. No.	Ass'y. No.	Sensor Yellow, Blue	Figure
22J06	623049-01	RT46, 47	19
23V50	623049-05	RT48, 49	22

**TABLE 9**  
LGT/LCT180

Cat. No.	Ass'y. No.	Sensor Yellow, Blue, Red	Figure
22J06	623049-01	RT46, 47, 50	20
23V50	623049-05	RT48, 49, 52	23

**TABLE 10**  
LGT/LCT210, 240, 300

Cat. No.	Ass'y. No.	Sensor Yel, Blue, Red, Grn	Figure
22J06	623049-01	RT46, 47, 50, 51	21
23V50	623049-05	RT48, 49, 52, 53	24

**TABLE 11**  
LGT/LCT092, 102, 120, 150

Cat. No.	Ass'y. No.	Sensor Yellow, Blue	Figure
22J06	623049-01	RT46, 47	25
23V50	623049-05	RT48, 49	26

**TABLE 12**  
LHT/LDT078, 092, 102, 122, 150

Cat. No.	Ass'y. No.	Sensor Yellow, Blue	Figure
22J06	623049-01	RT46, 47	27
22J08	623049-03	RT48, 49	28

**TABLE 13**  
LHT/LDT156, 180, 240

Cat. No.	Ass'y. No.	Sensor Yellow, Blue	Figure
22J06	623049-01	RT46, 47	29
22J08	623049-03	RT48, 49	30

LGM/LCM036 & 048  
THREE-ROW EVAPORATOR COIL  
(VIEW FROM FRONT SIDE OF UNIT)  
RT42 & 46

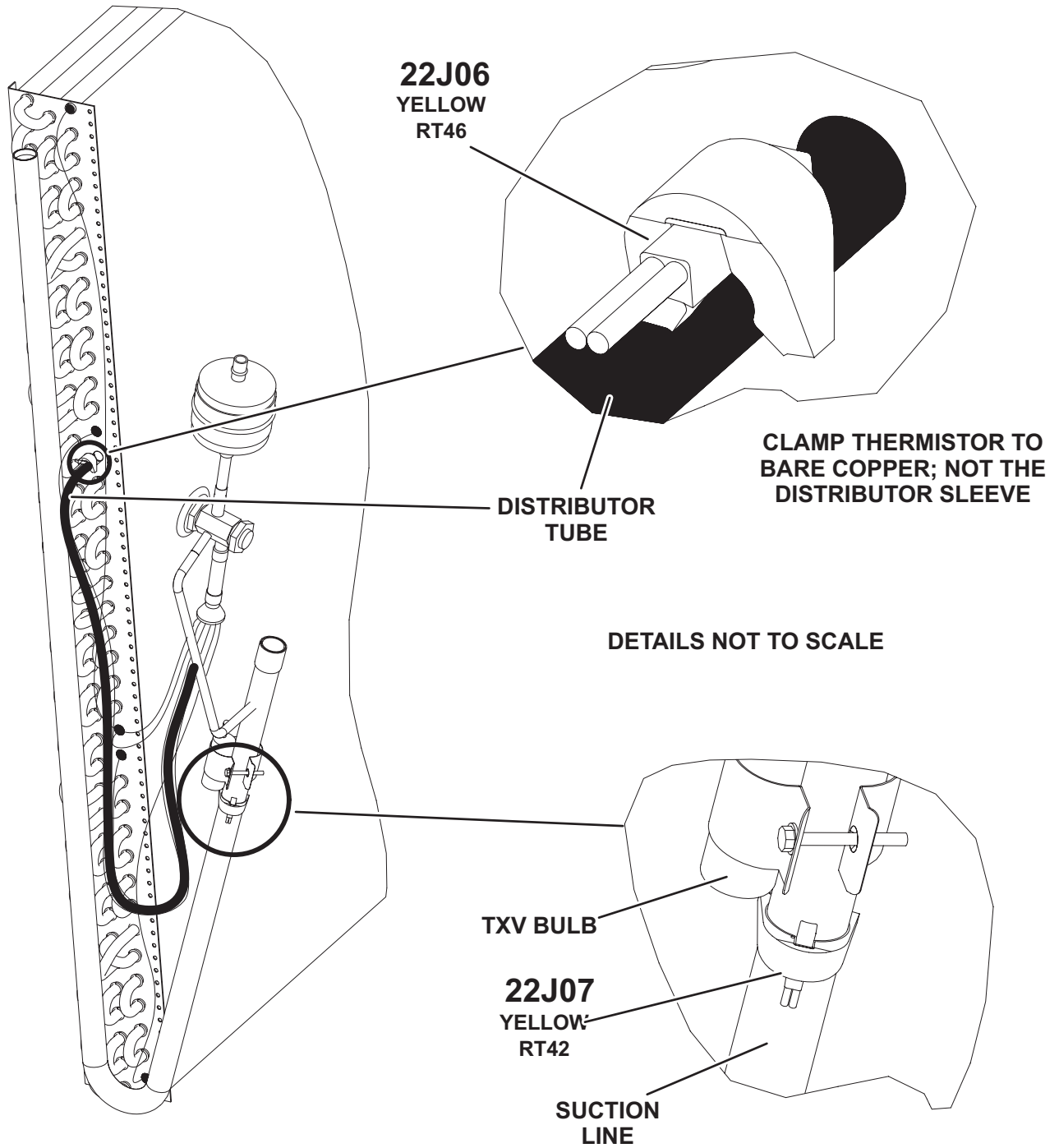


FIGURE 1

LGM/LCM060 & 074  
FOUR-ROW EVAPORATOR COIL  
(VIEW FROM FRONT SIDE OF UNIT)  
RT42 & 46

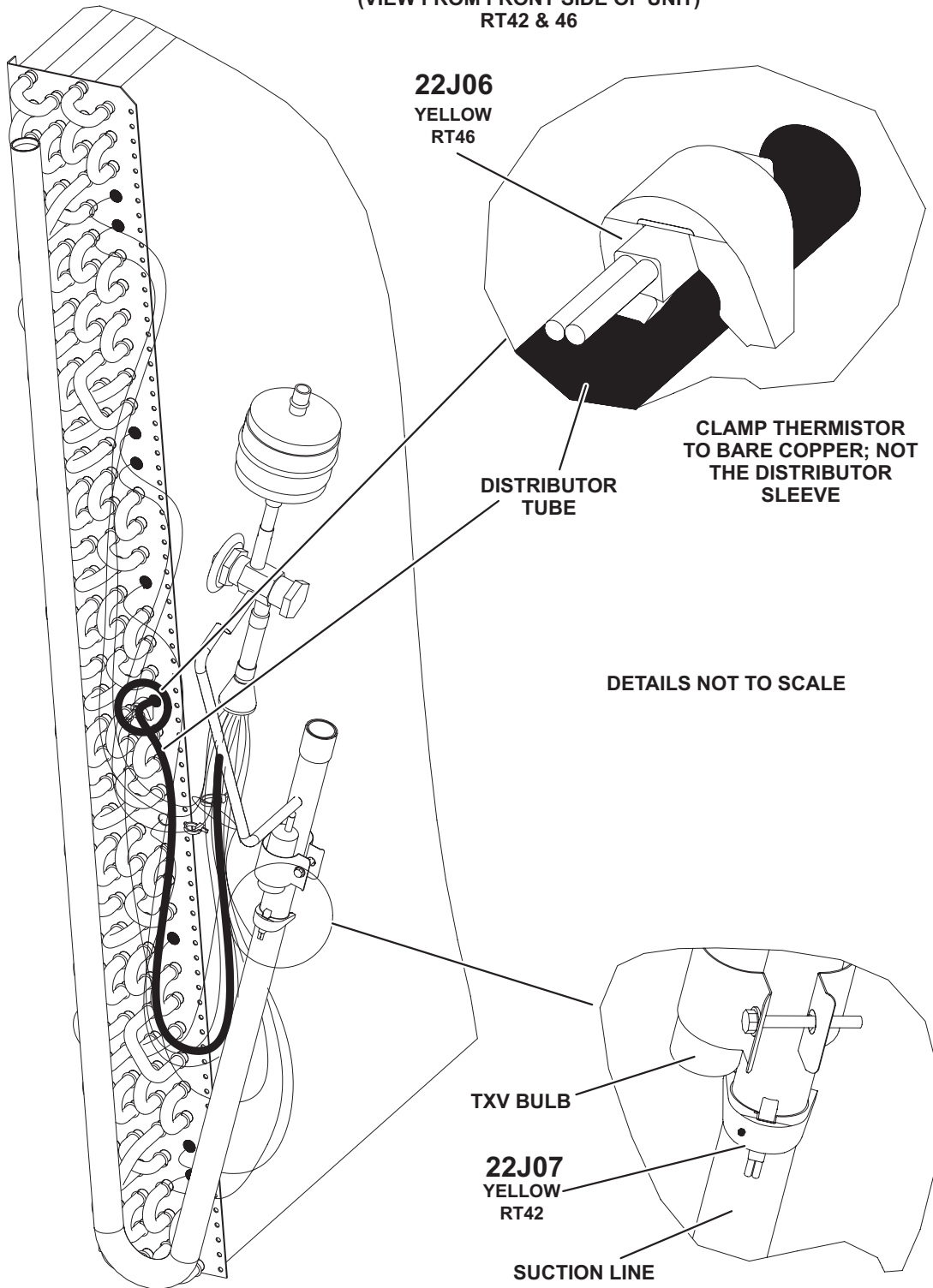


FIGURE 2

LGM/LCM036, 048, 060, 074  
CONDENSER COIL  
(VIEW FROM FRONT SIDE OF UNIT)  
RT44 & RT48

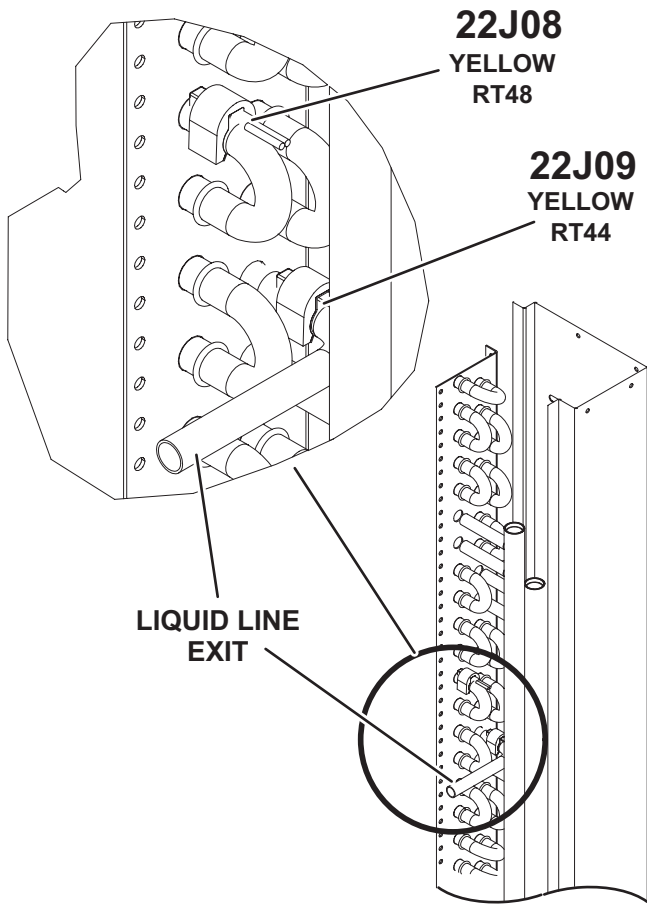


FIGURE 3

LGM/LCM092-150  
CONDENSER COIL  
(VIEW FROM FRONT SIDE OF UNIT)  
RT42, 43, 46, 47

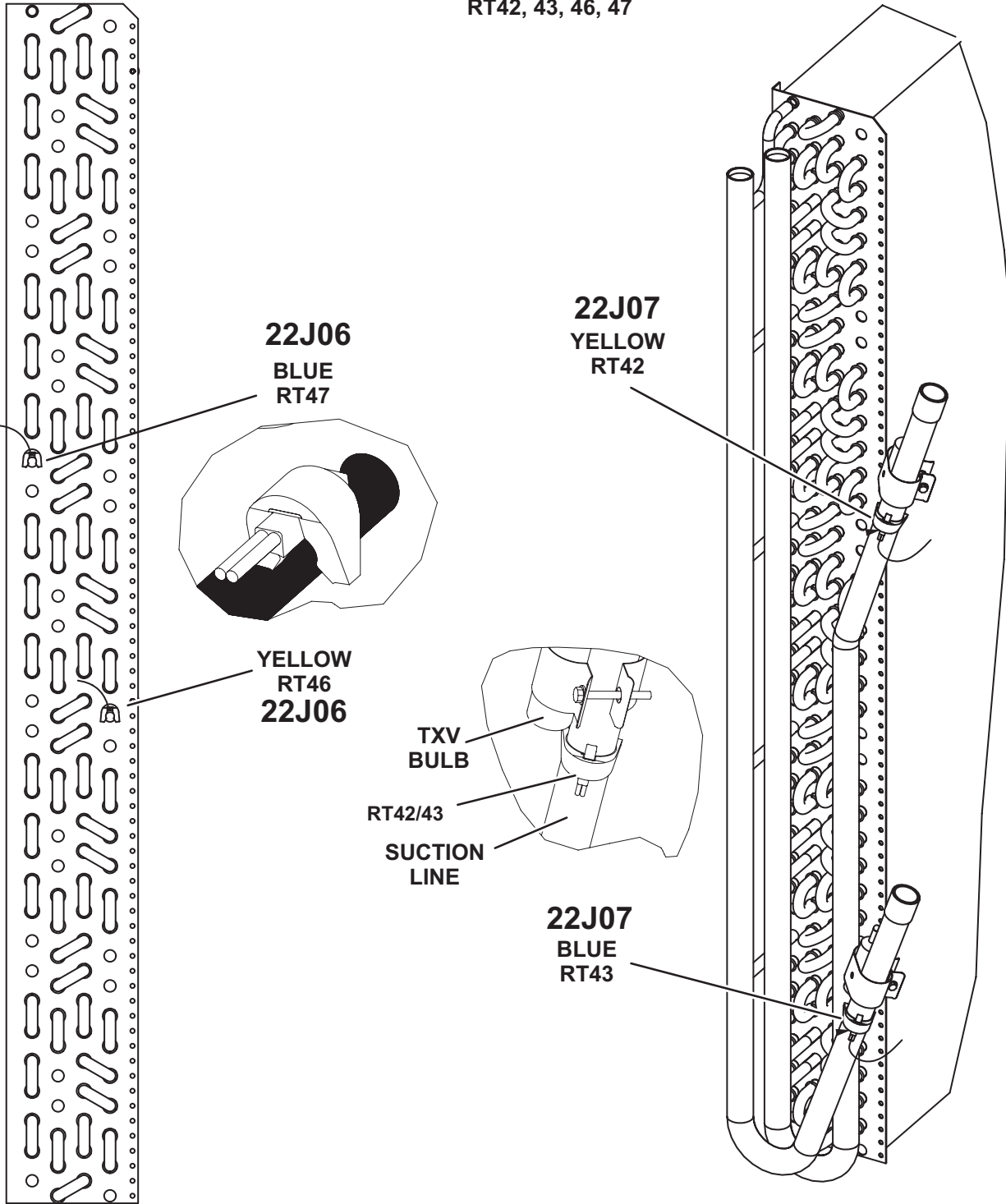


FIGURE 4

LGM/LCM092, 102, 120, 150  
(VIEW FROM FRONT SIDE OF UNIT)  
RT44 & 45

092, 102 CONDENSER COIL-  
BEFORE SEPTEMBER 2022

092, 102 CONDENSER COIL  
AFTER SEPTEMBER 2022  
AND  
120, 150 CONDENSER COIL

22J09  
YELLOW  
RT44

BLUE  
RT45  
22J09

RT44 & 45

22J09  
BLUE  
RT45

22J09  
YELLOW  
RT44

FIGURE 5

LGM/LCM092, 102, 120, 150  
(VIEW FROM FRONT SIDE OF UNIT)  
RT48 & 49

092, 102 CONDENSER COIL

120, 150 CONDENSER COIL

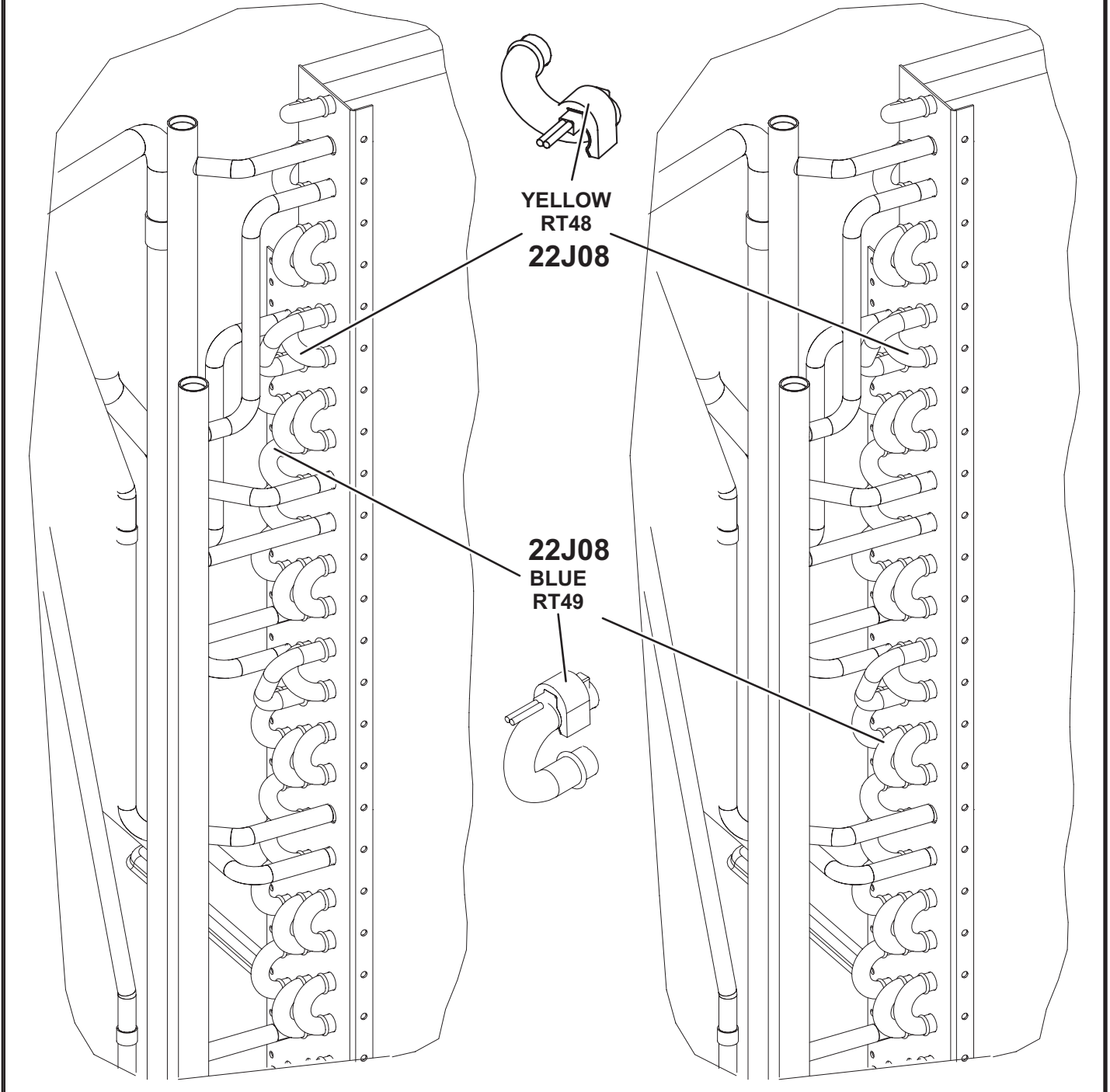


FIGURE 6



LGM/LCM156, 180  
 THREE-ROW EVAPORATOR COIL  
 RT42, RT43, RT46, RT47, RT50, RT54

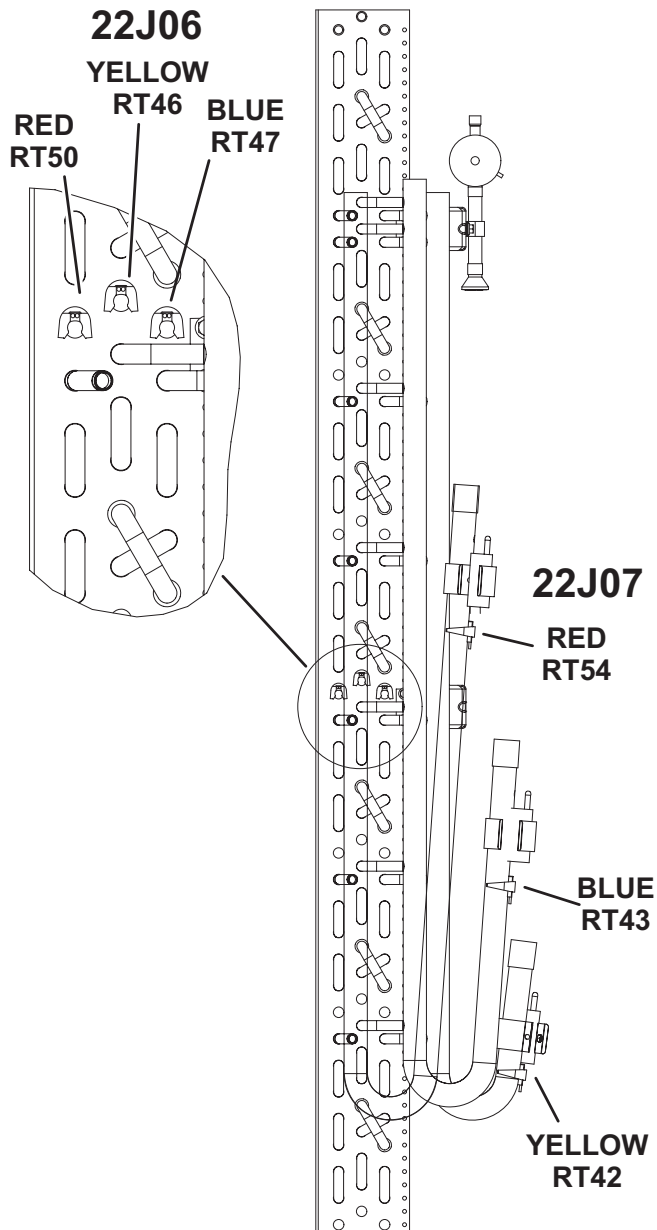


FIGURE 7

LGM/LCM210, 240, 300  
 FOUR-ROW EVAPORATOR COIL  
 RT42, RT43, RT46, RT47, RT50, RT51, RT54, RT55

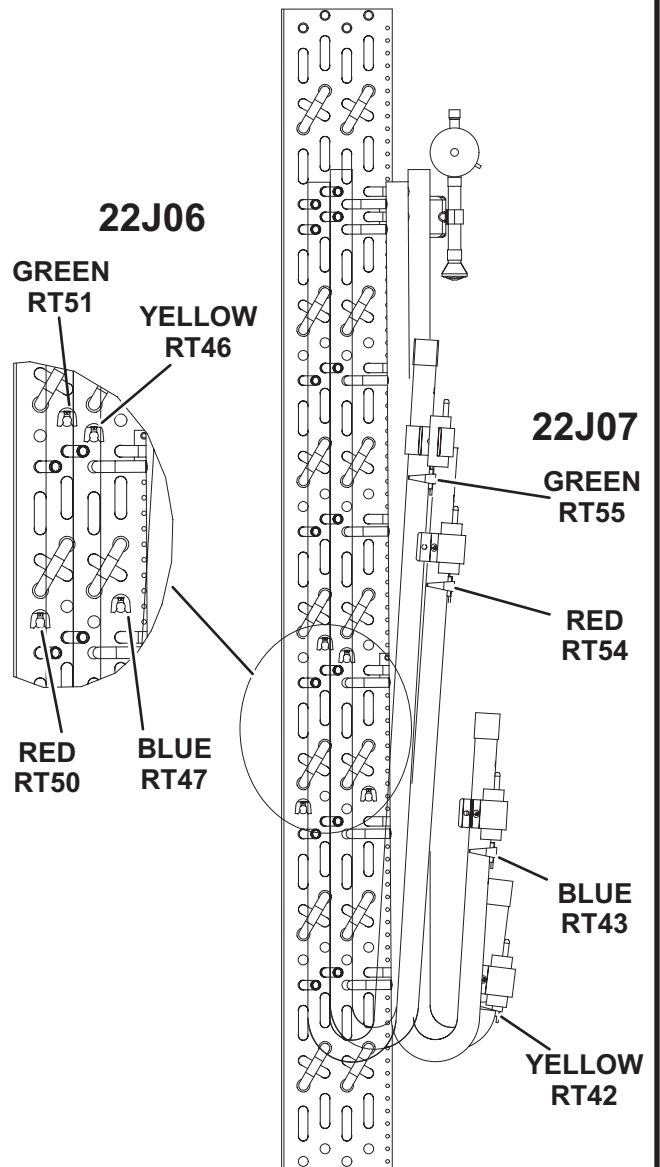


FIGURE 8

LGM/LCM156, 180  
CONDENSOR COIL  
RT44, RT45, RT48, RT49, RT52, RT56

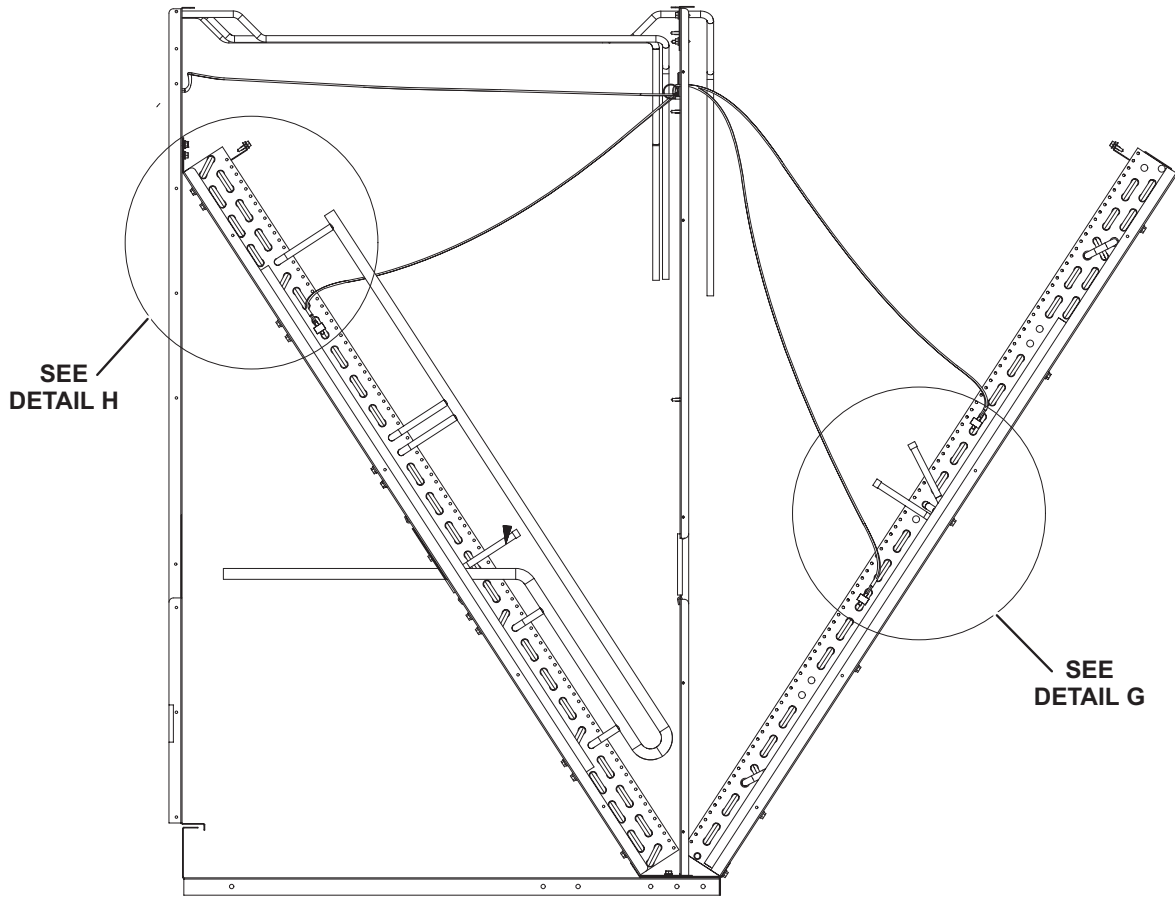
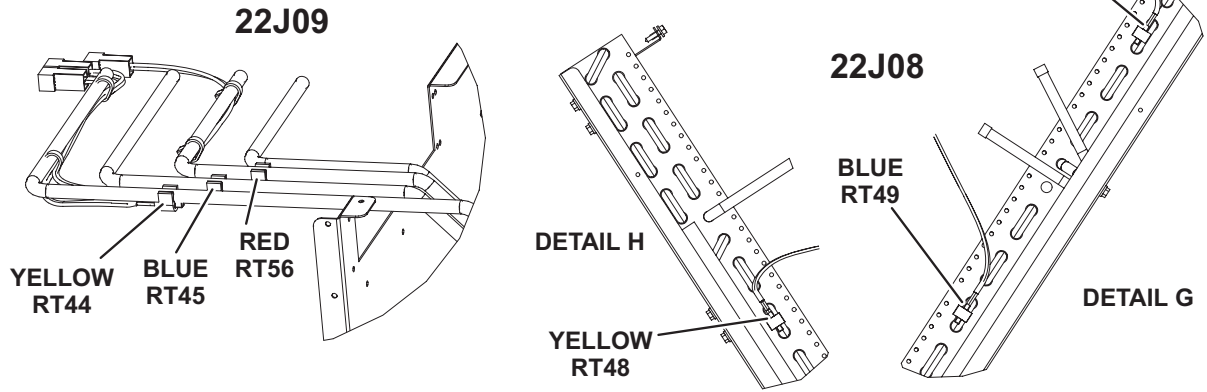


FIGURE 9

LGM/LCM210  
CONDENSOR COIL  
RT44, RT45, RT48, RT49, RT52, RT53, RT56, RT57

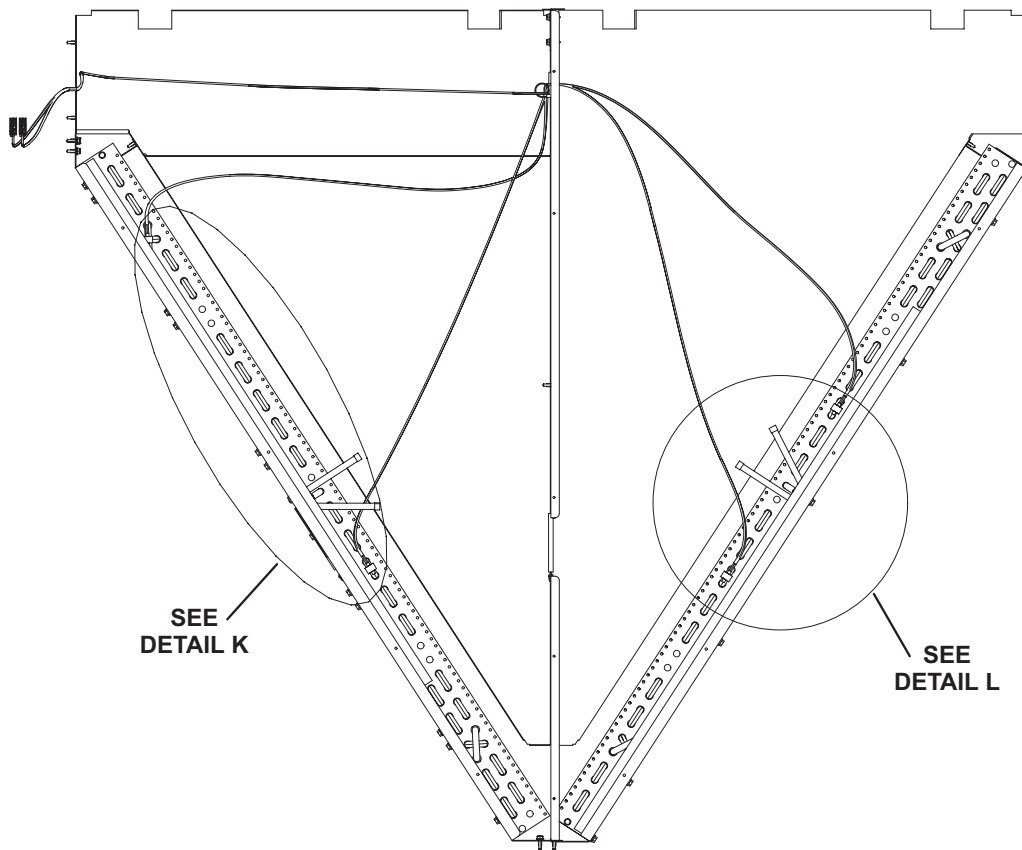
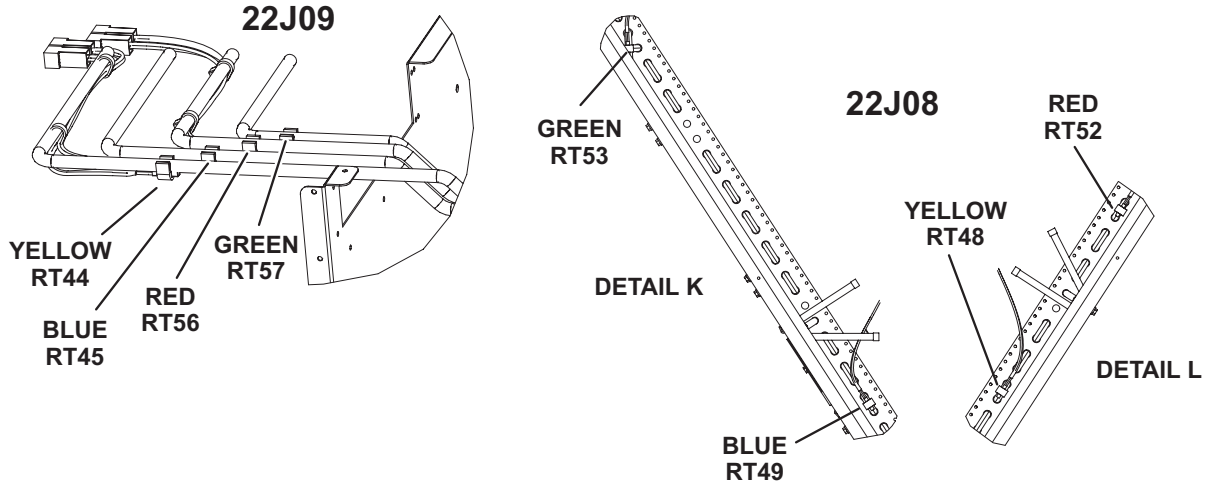


FIGURE 10

LGM/LCM240, 300  
CONDENSOR COIL  
RT44, RT45, RT48, RT49, RT52, RT53, RT56, RT57

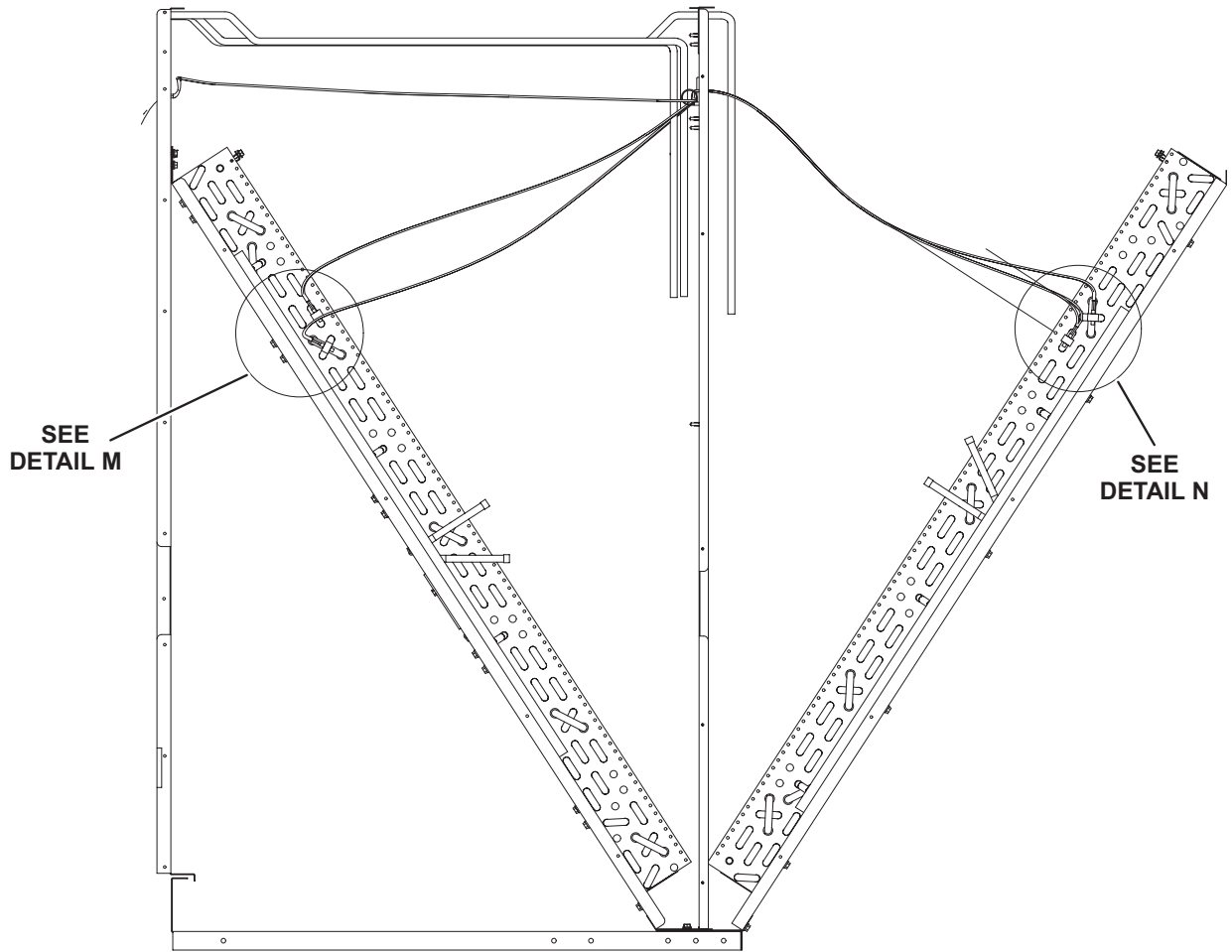
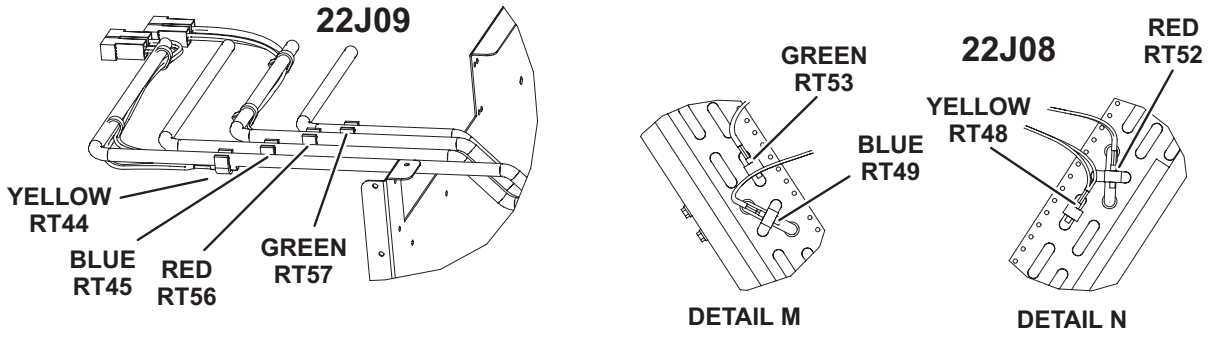


FIGURE 11

LHT/LDT060  
INDOOR COIL  
RT46

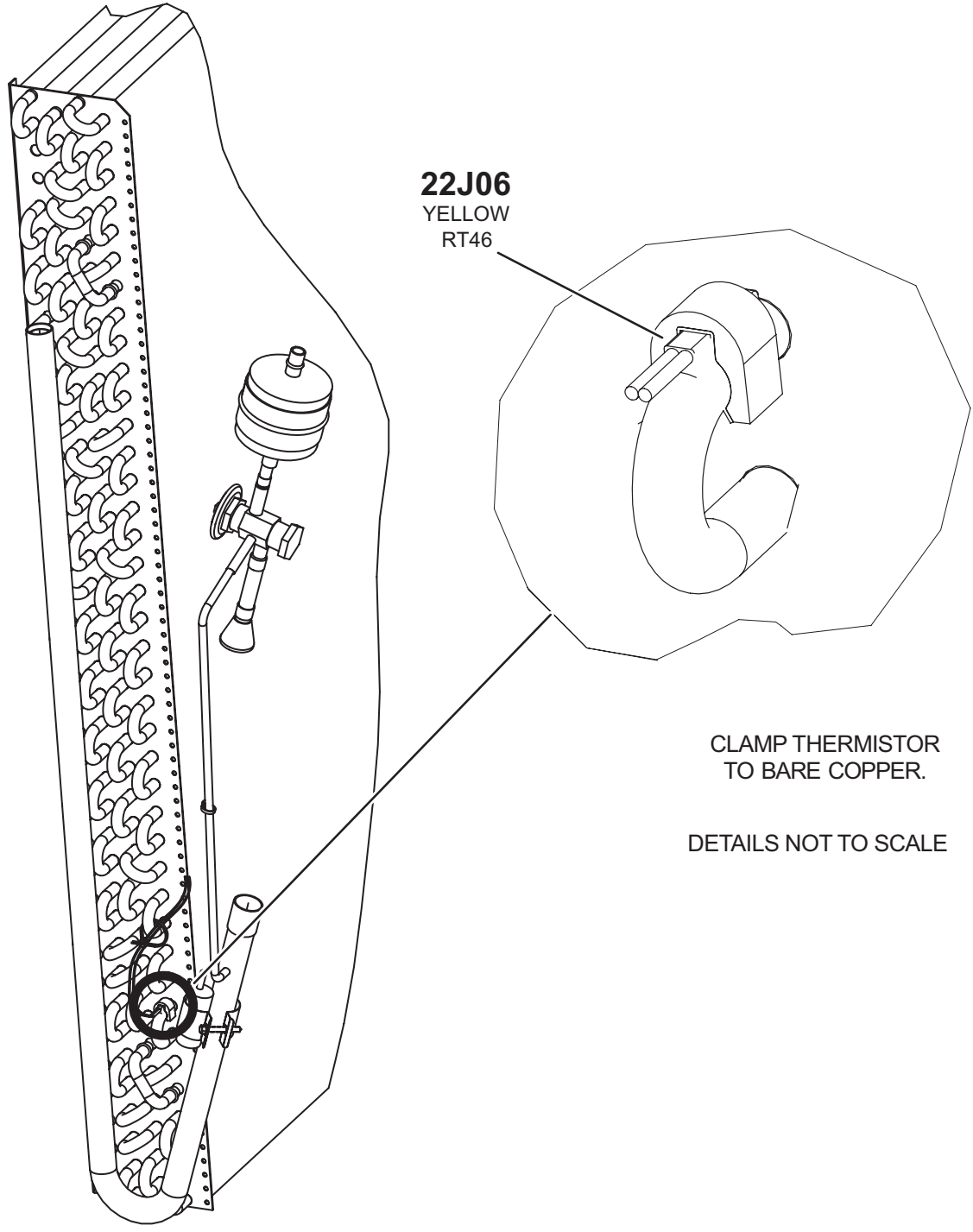


FIGURE 12

LHT/LDT024, 036, 048  
INDOOR COIL  
RT46

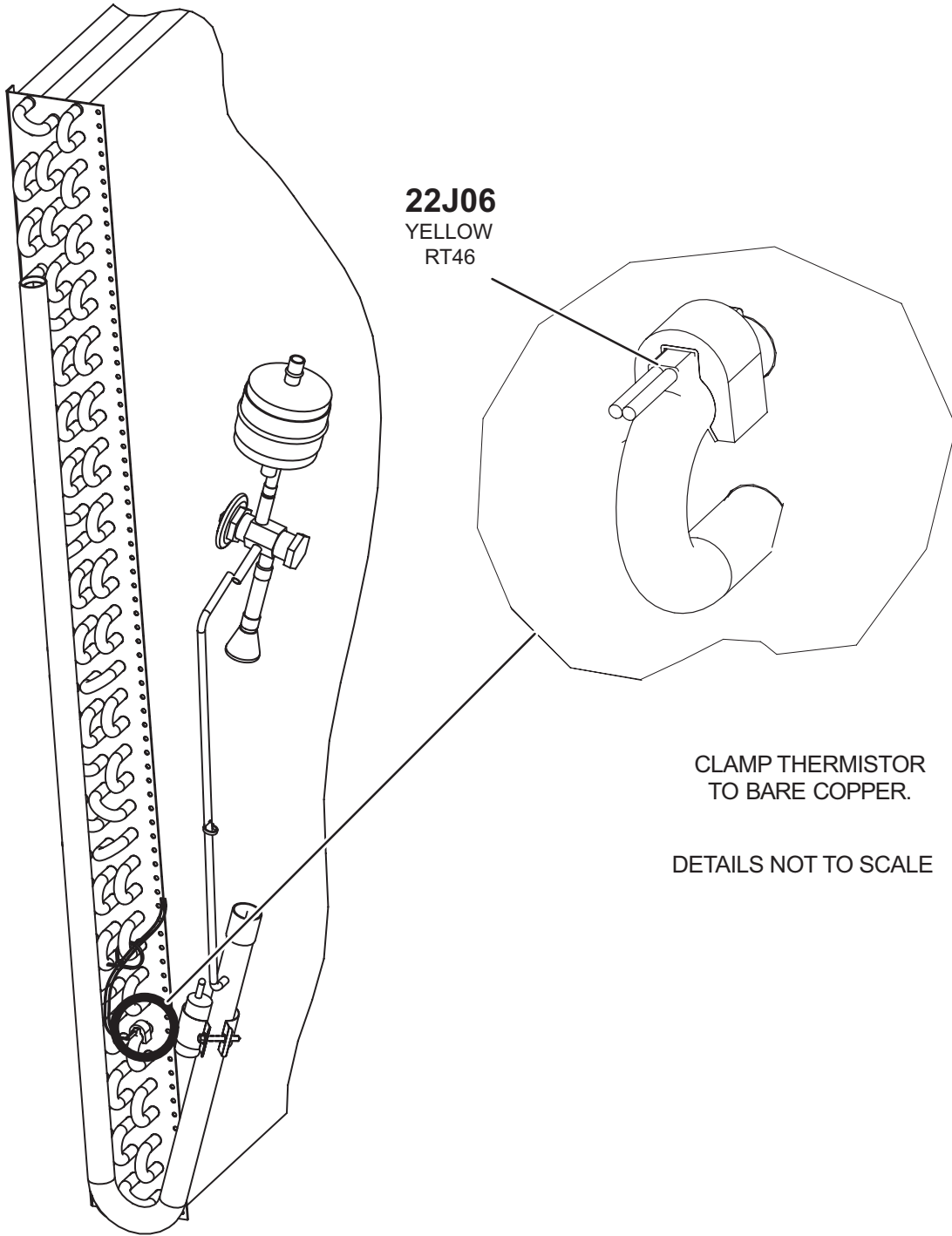
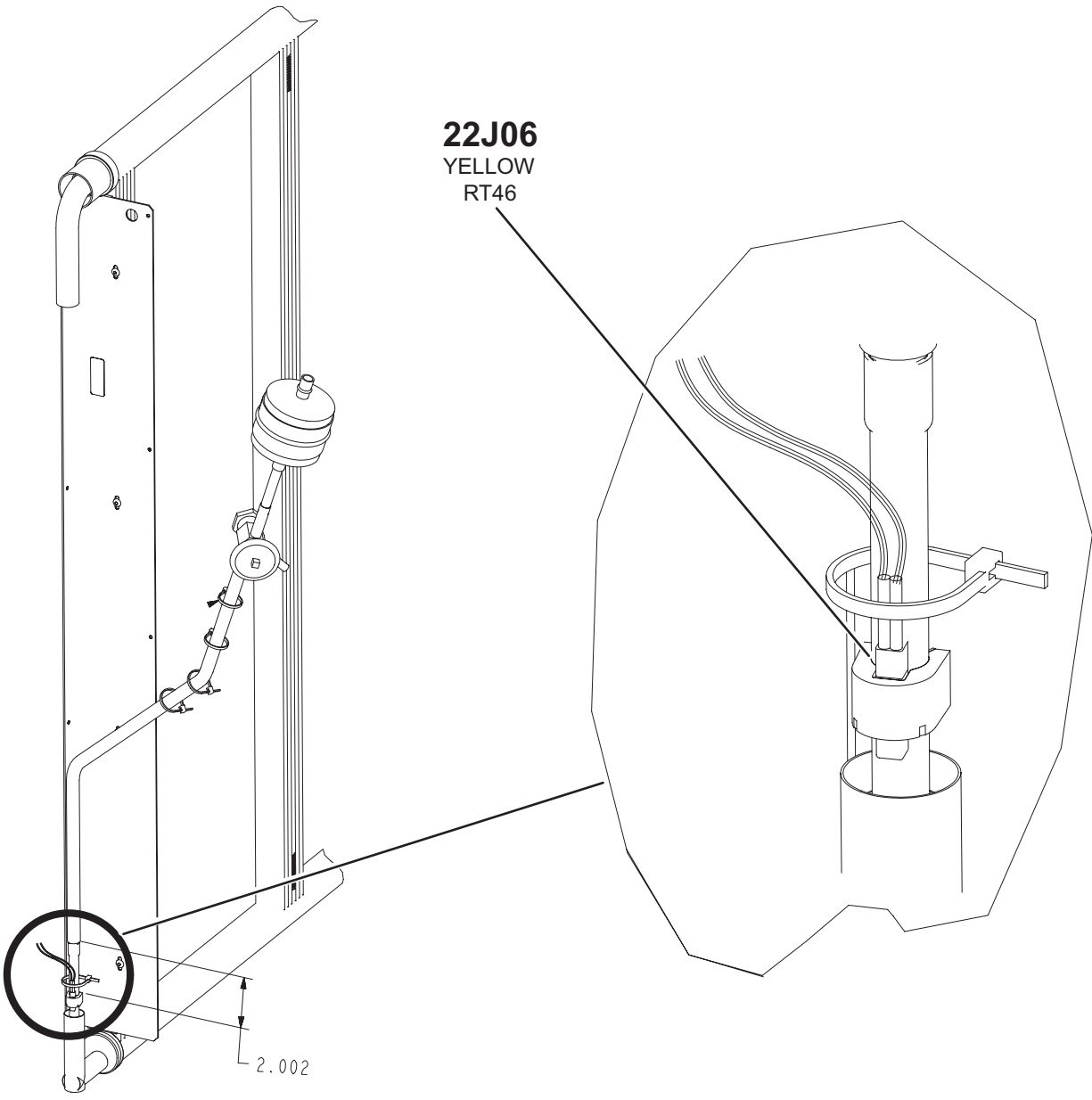


FIGURE 13

LGT/LCT 036, 048, 060, 072  
EVAPORATOR COIL  
RT46



CLAMP THERMISTOR  
TO BARE COPPER.

DETAILS NOT TO SCALE

FIGURE 14

LHT/LDT048  
OUTDOOR COIL  
RT48

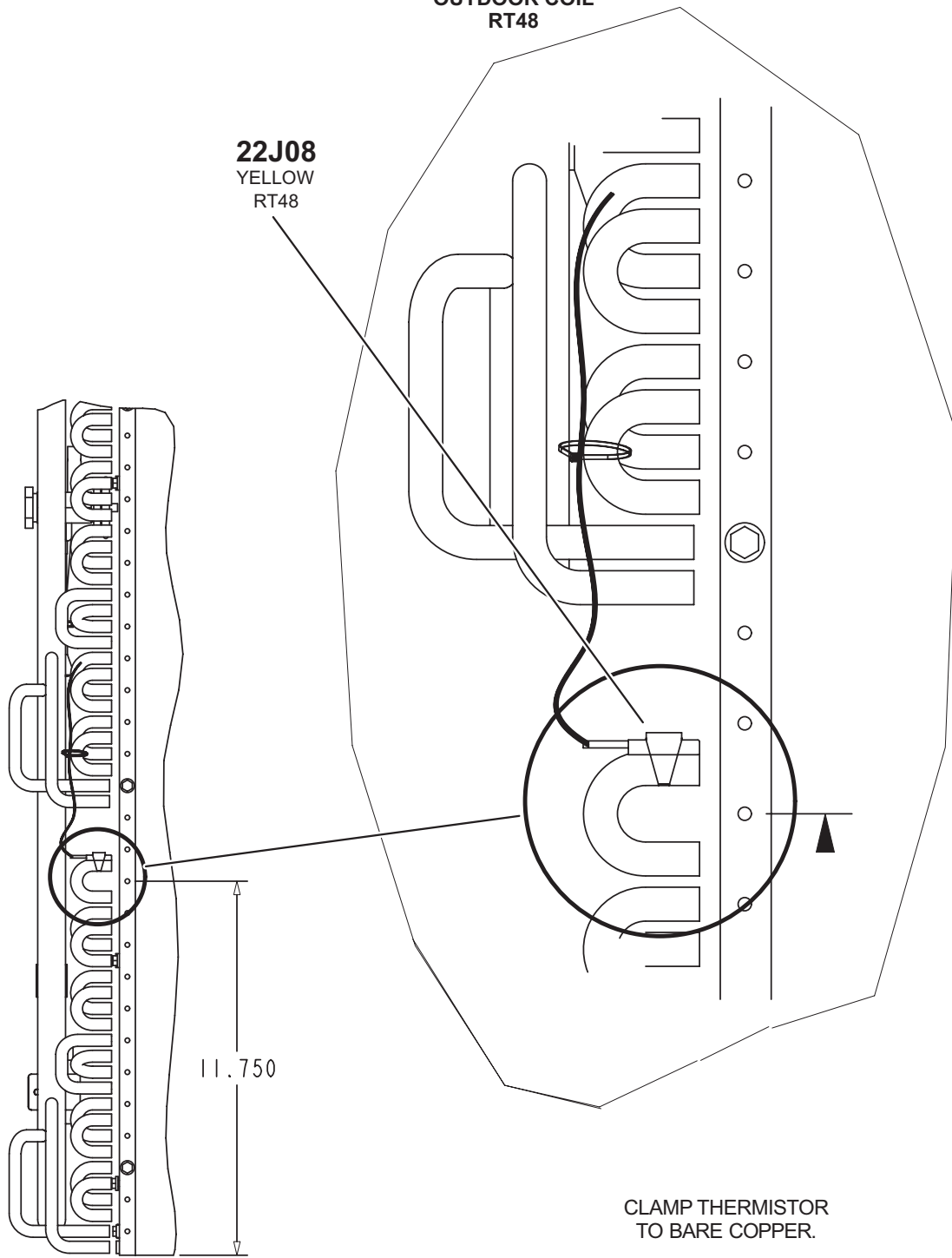
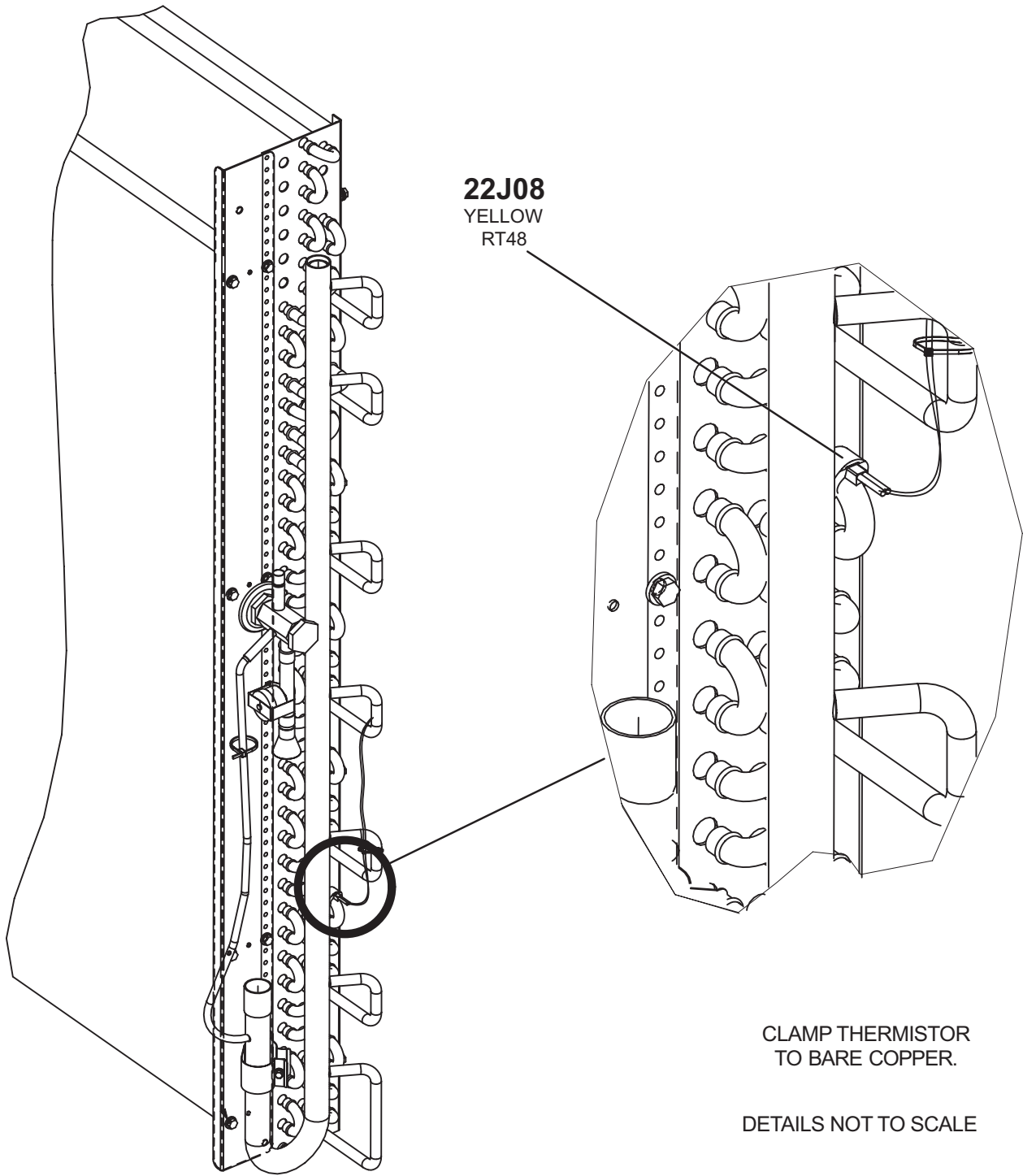


FIGURE 15



LHT/LDT060  
OUTDOOR COIL  
RT48



**22J08**  
YELLOW  
RT48

CLAMP THERMISTOR  
TO BARE COPPER.

DETAILS NOT TO SCALE

FIGURE 16

LHT/LDT024, 036  
OUTDOOR COIL  
RT48

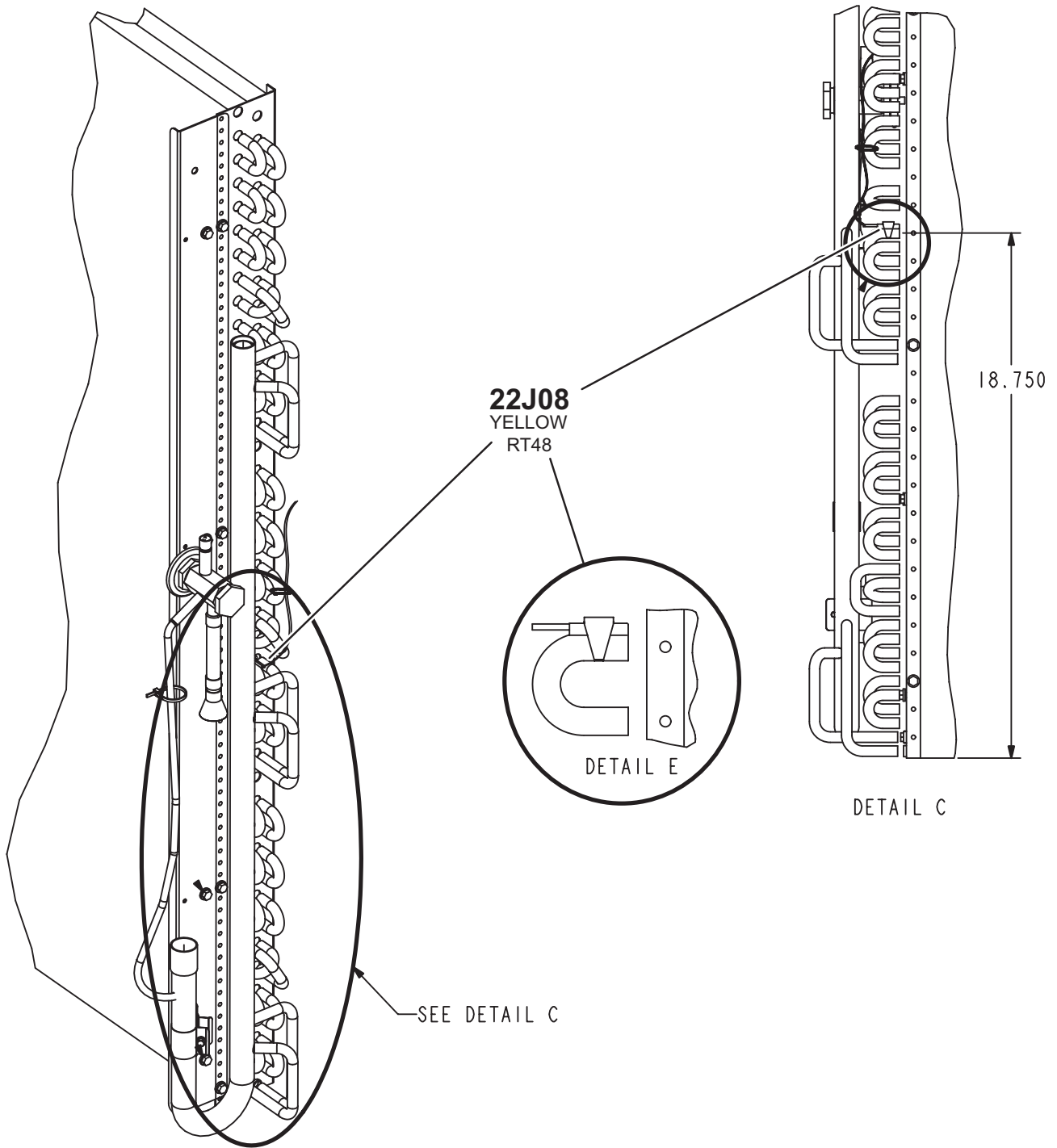


FIGURE 17

LGT/LCT036, 048, 060, 072  
CONDENSER COIL  
RT48

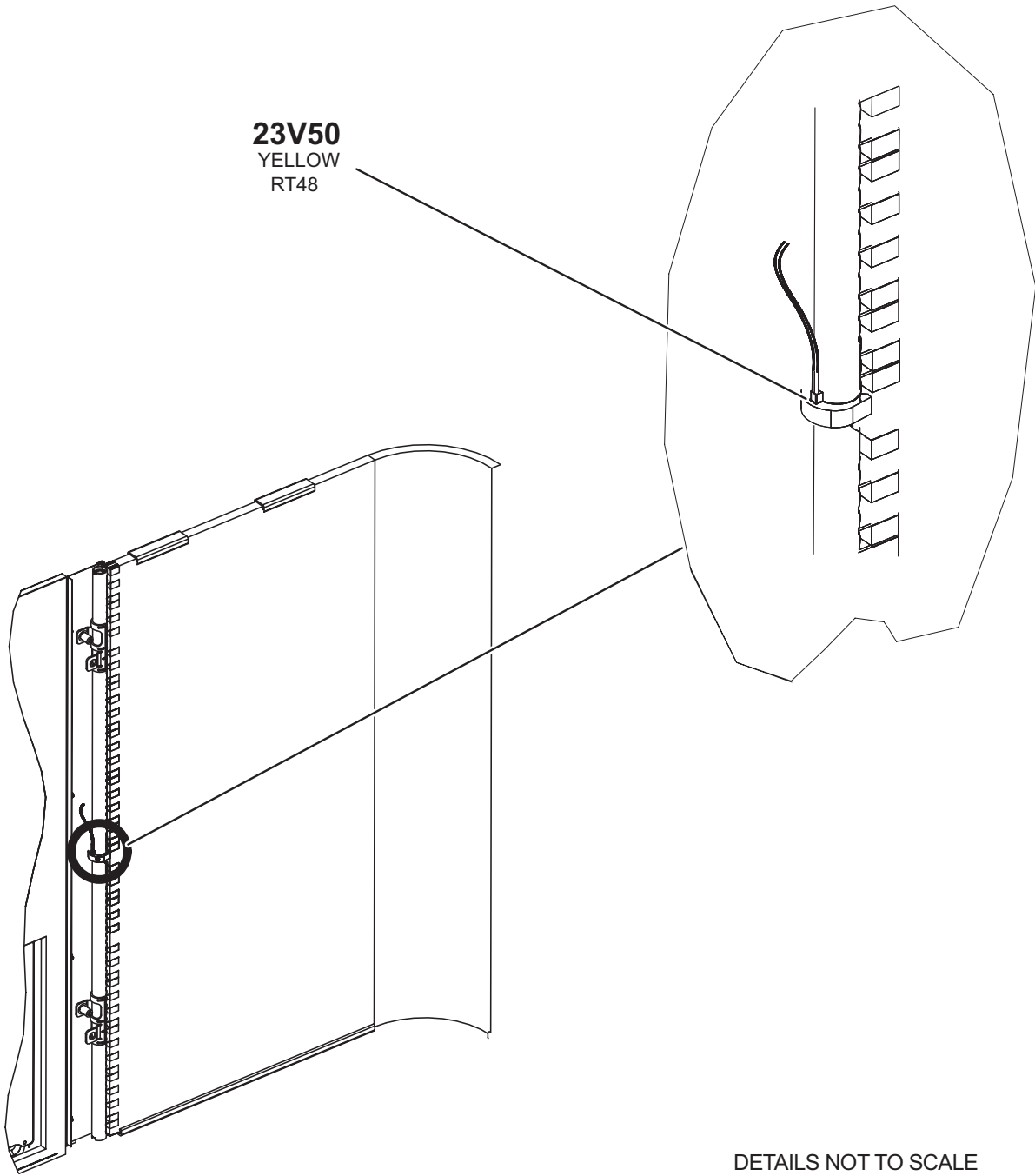


FIGURE 18

LGT/LCT156  
EVAPORATOR COIL  
(RT46, 47)

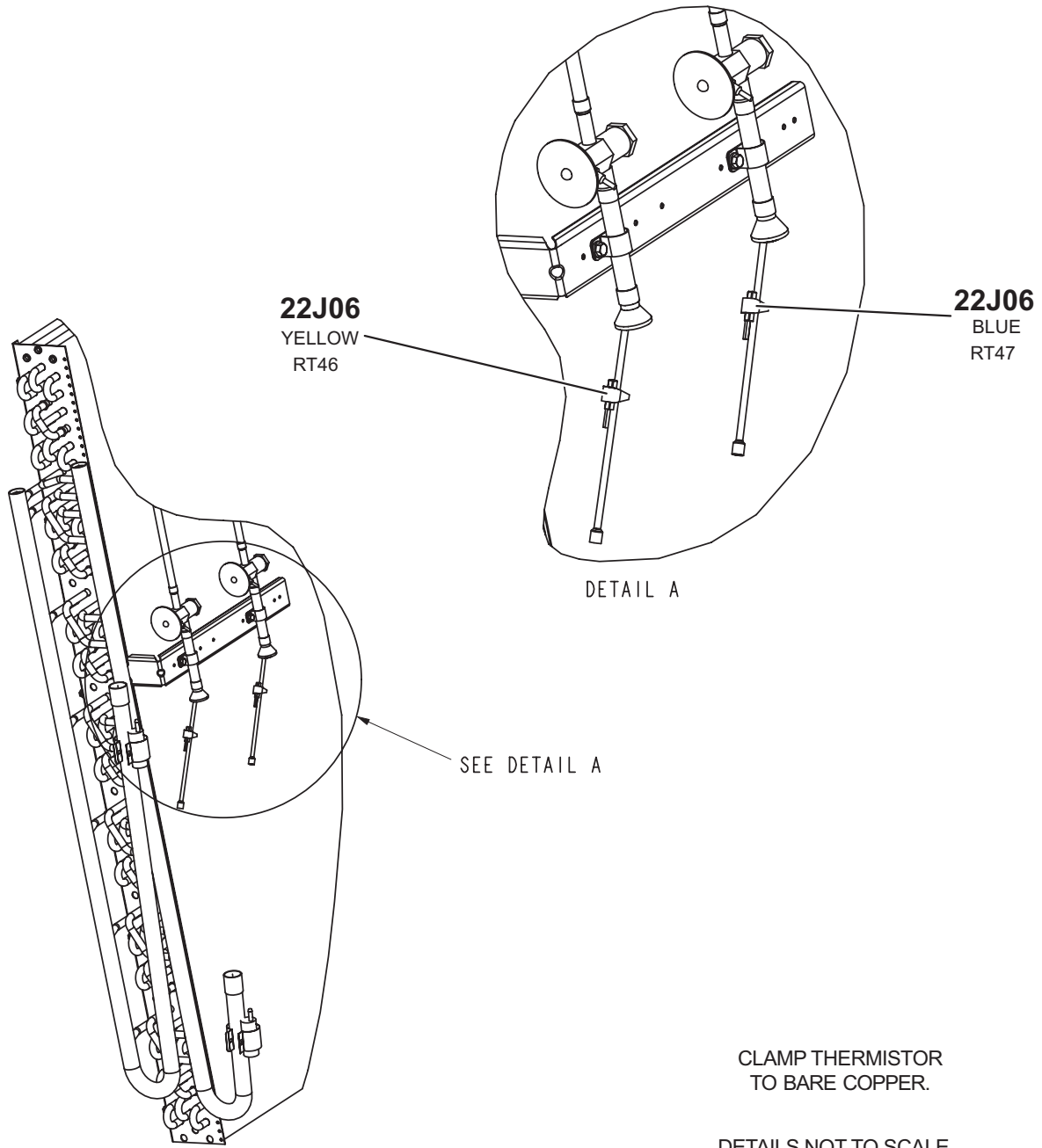


FIGURE 19

LGT/LCT180  
EVAPORATOR COIL  
RT46, 47, 50

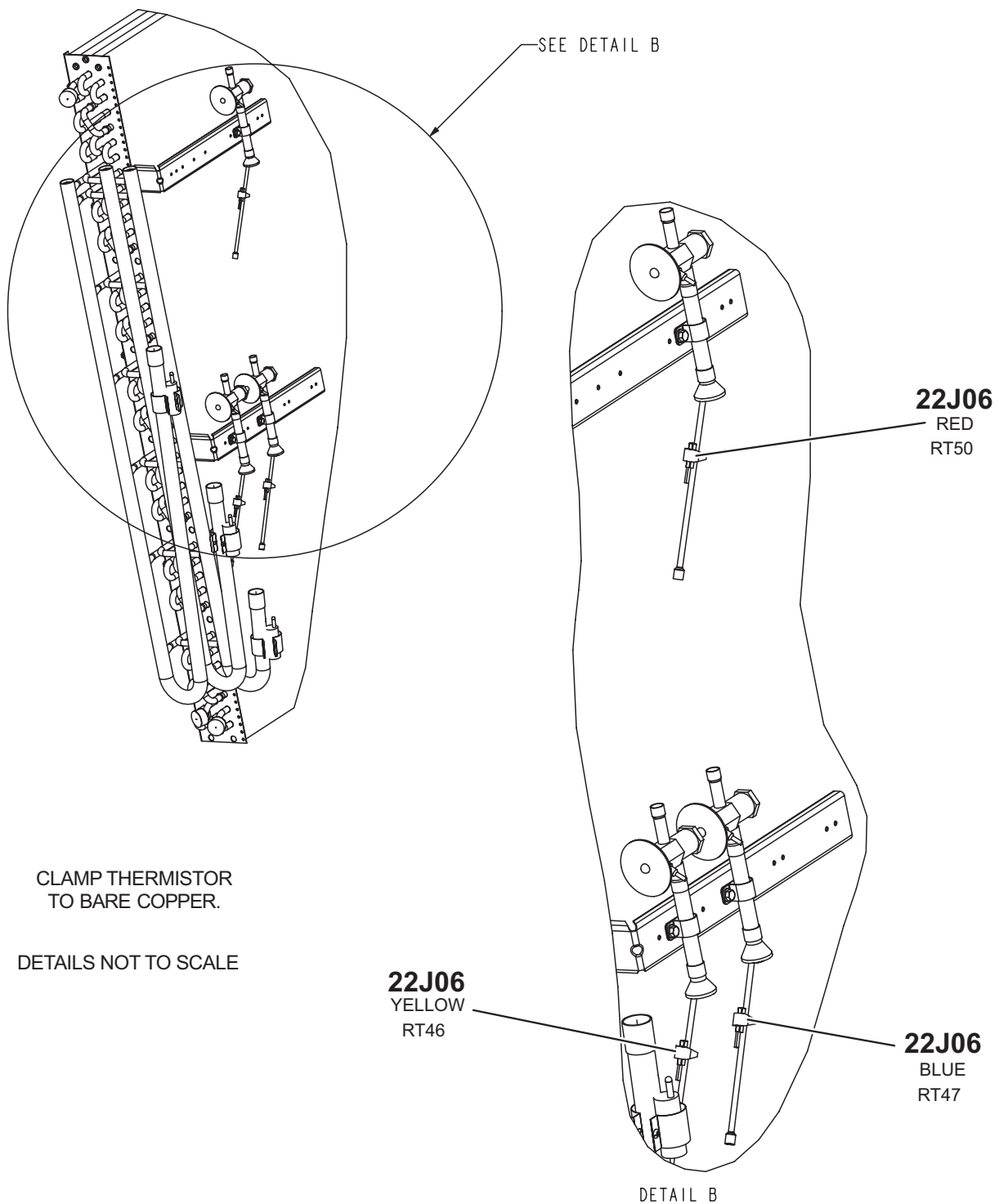
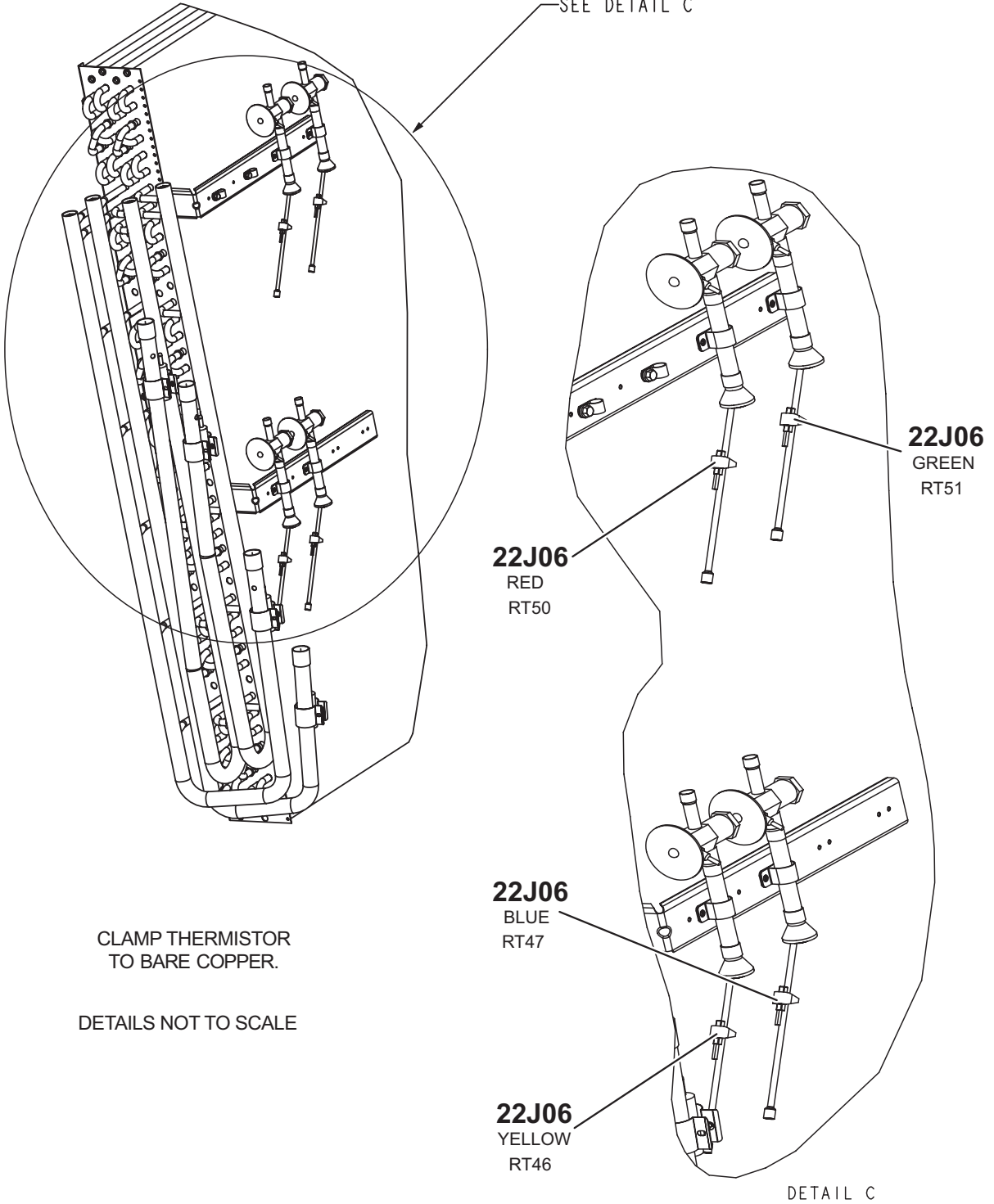


FIGURE 20

LGT/LCT210, 240, 300  
EVAPORATOR COIL  
RT46, 47, 50, 51

SEE DETAIL C



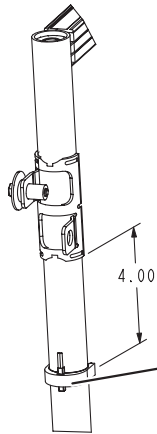
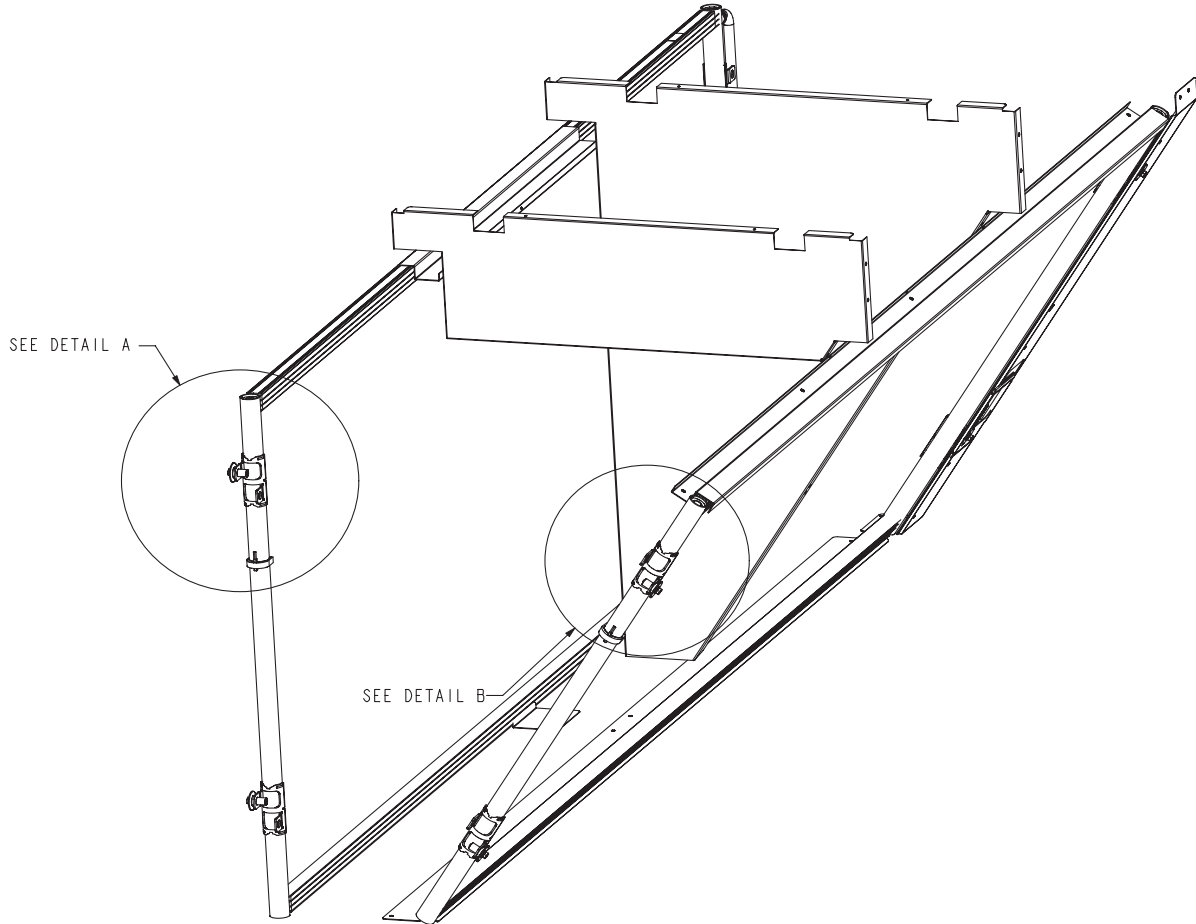
CLAMP THERMISTOR  
TO BARE COPPER.

DETAILS NOT TO SCALE

DETAIL C

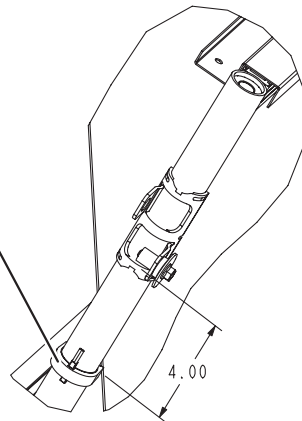
FIGURE 21

LGT/LCT156  
CONDENSER / OUTDOOR COIL  
(RT48, 49)



DETAIL A

**23V50**  
BLUE  
RT49



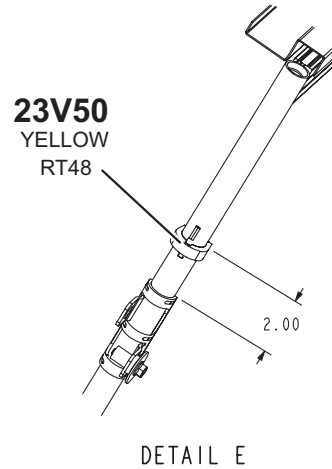
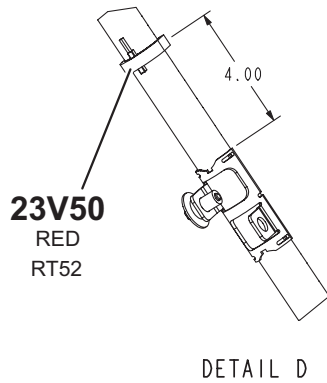
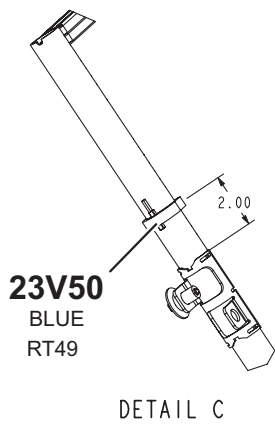
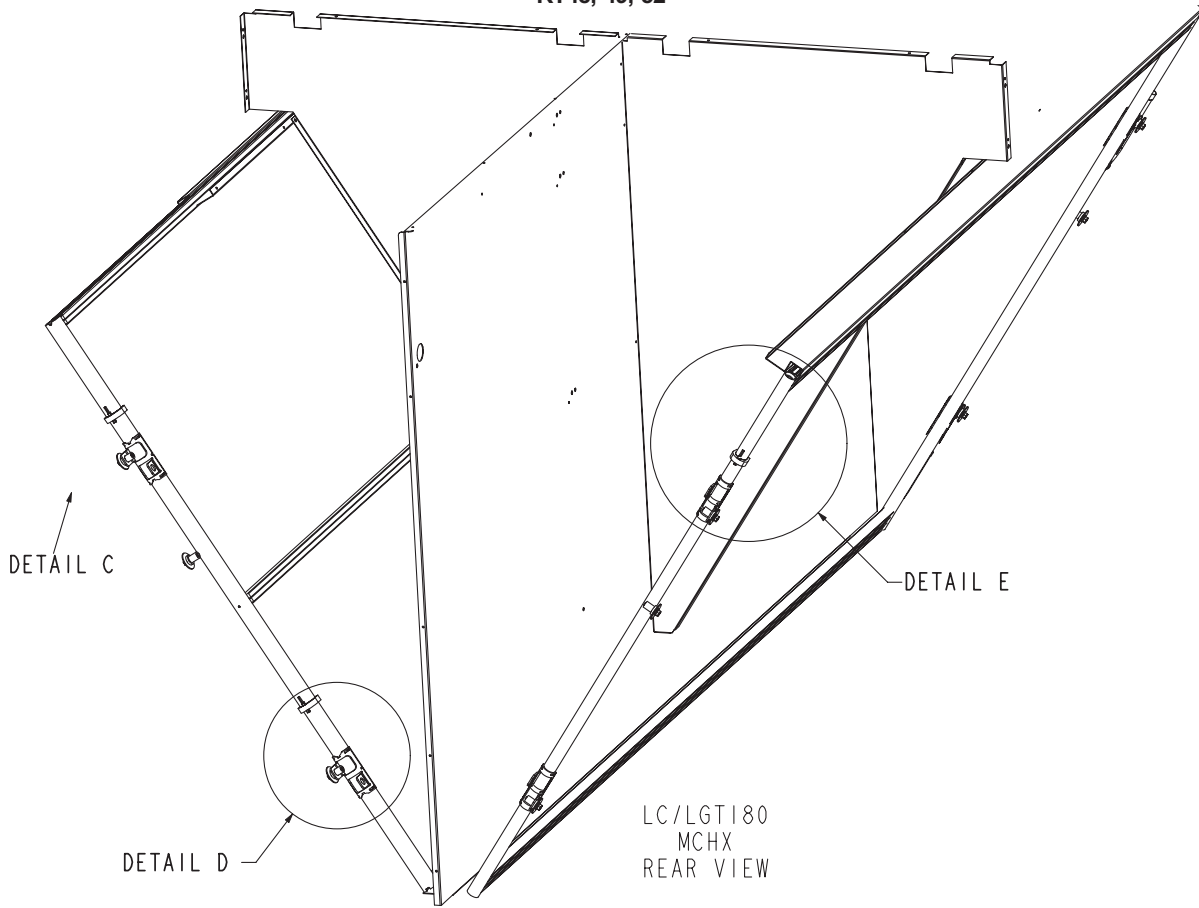
DETAIL B

CLAMP THERMISTOR  
TO BARE COPPER.

DETAILS NOT TO SCALE

FIGURE 22

LGT/LCT180  
CONDENSER / OUTDOOR COIL  
RT48, 49, 52

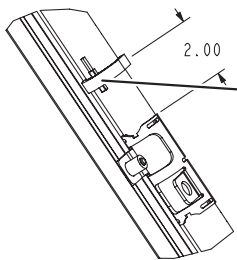
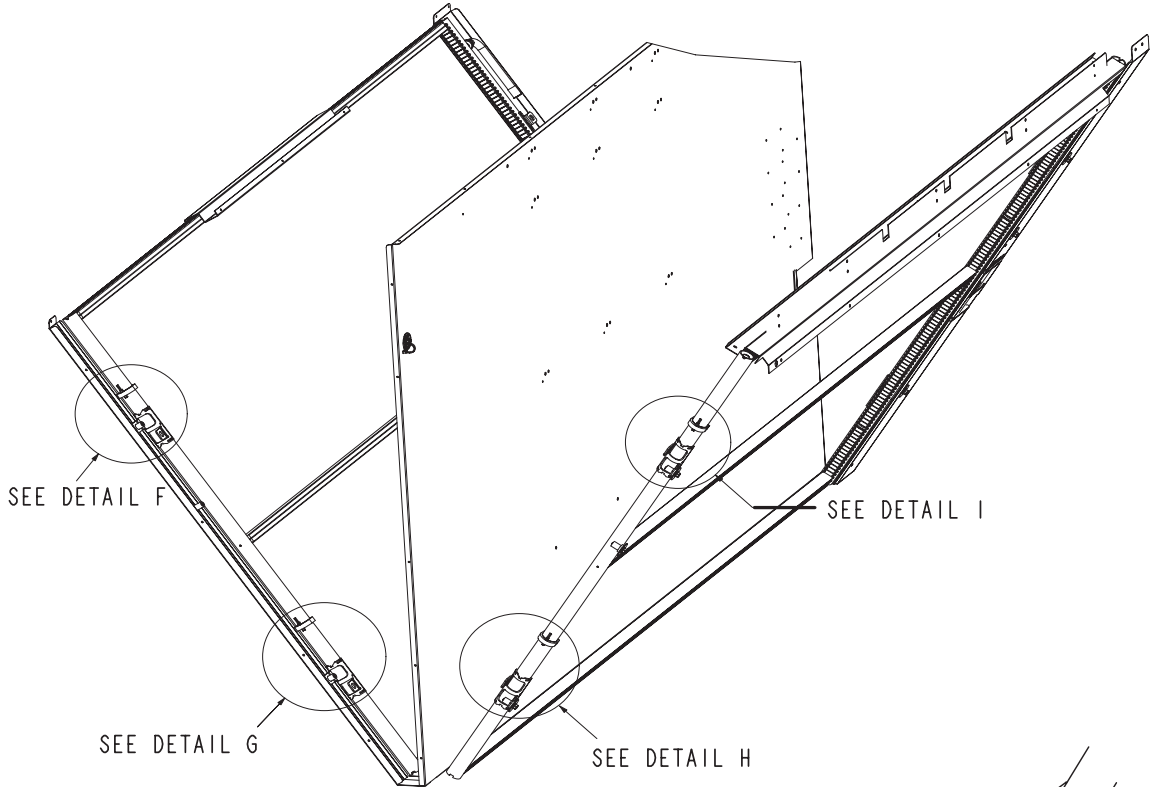


DETAILS NOT TO SCALE

FIGURE 23

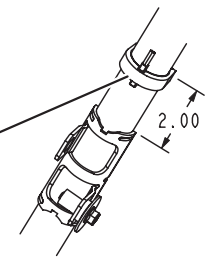


LGT/LCT210, 240, 300  
 CONDENSER / OUTDOOR COIL  
 RT48, 49, 52, 53



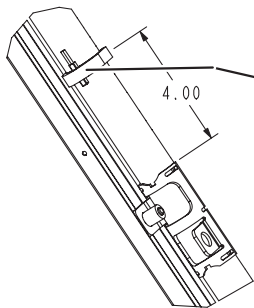
**23V50**  
 BLUE  
 RT49

SEE DETAIL F



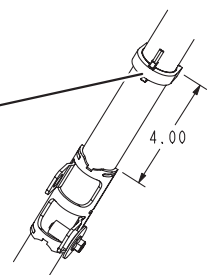
**23V50**  
 GREEN  
 RT53

SEE DETAIL I



**23V50**  
 YELLOW  
 RT48

SEE DETAIL G



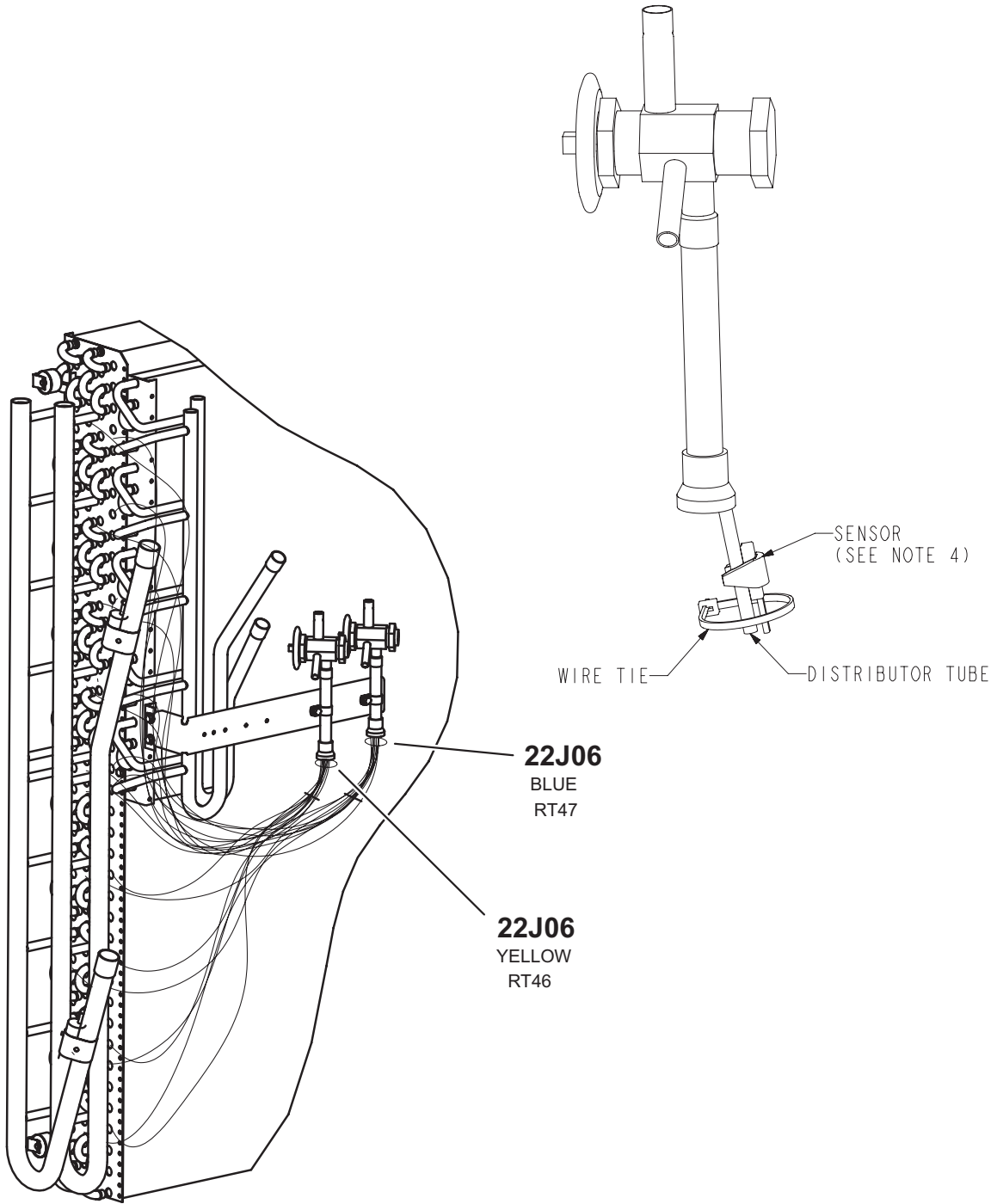
**23V50**  
 RED  
 RT52

SEE DETAIL H

DETAILS NOT TO SCALE

FIGURE 24

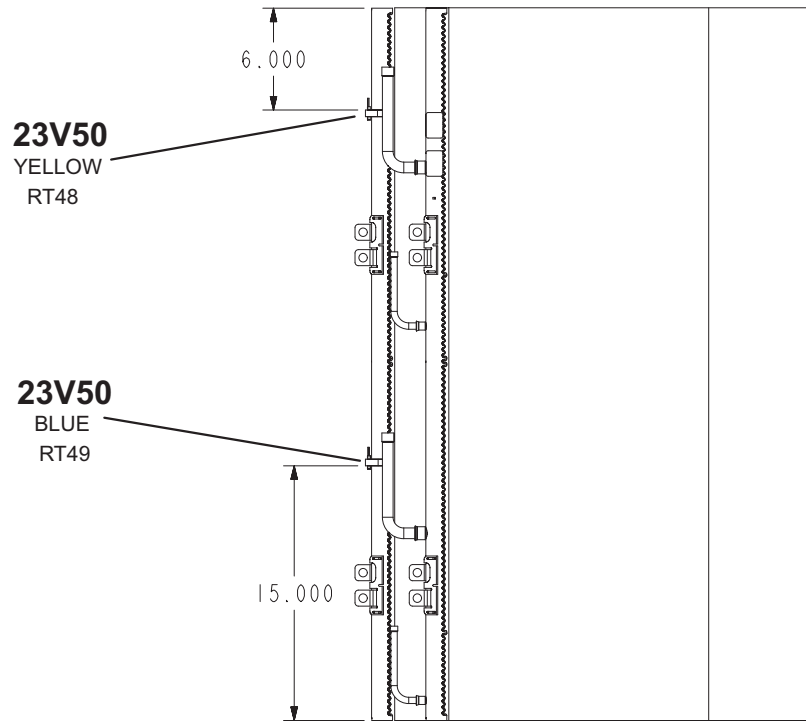
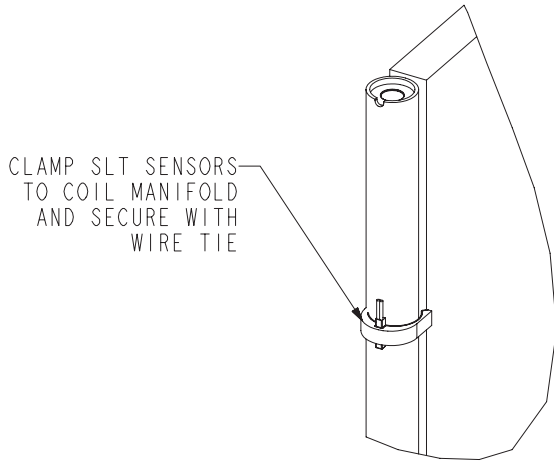
THERMISTOR LOCATION - LGT/LCT092, 102, 122, 150  
EVAPORATOR COIL  
RT46, RT47



DETAILS NOT TO SCALE

FIGURE 25

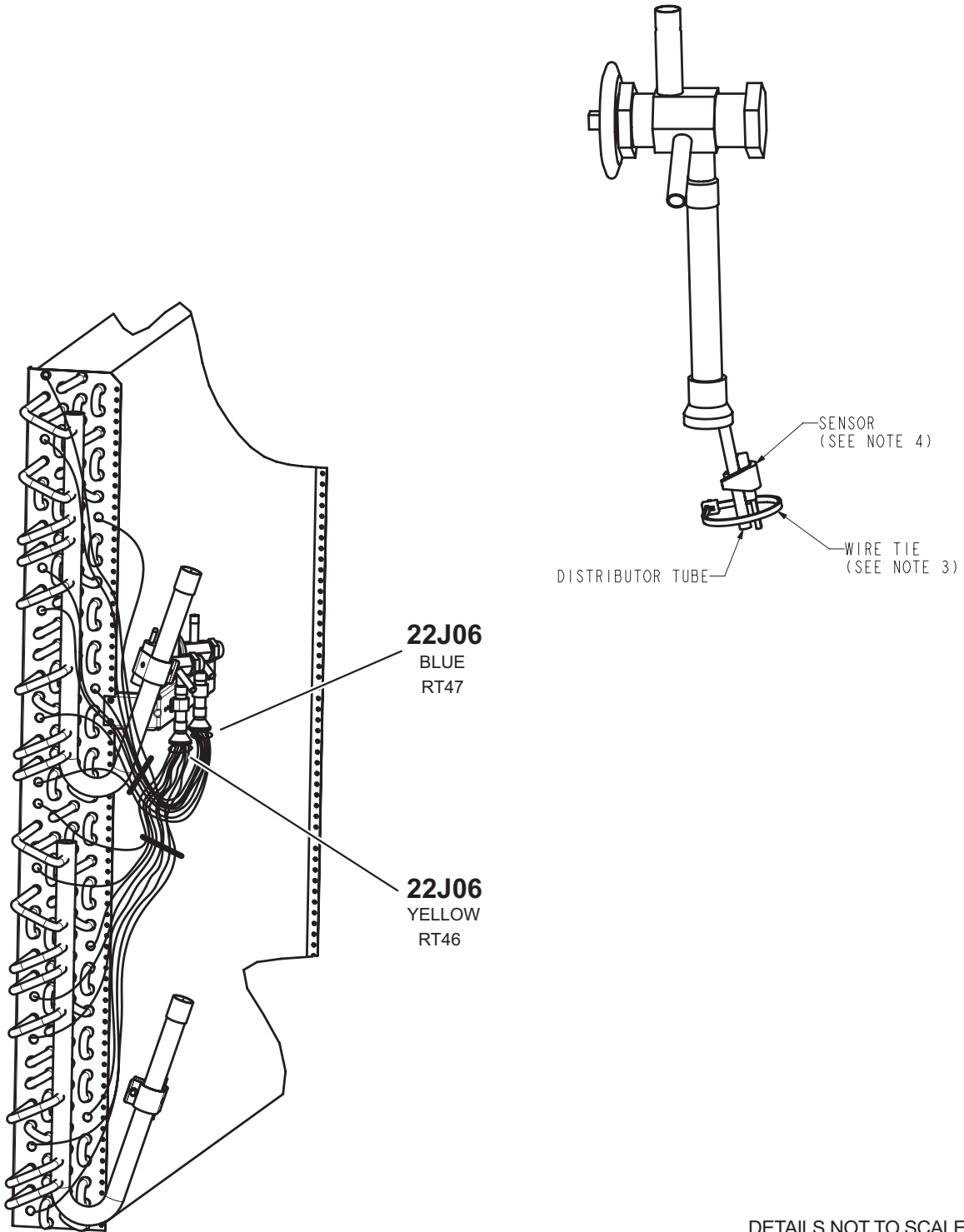
LGT/LCT092, 102, 120, 150  
CONDENSER COIL  
RT48, RT49



DETAILS NOT TO SCALE

FIGURE 26

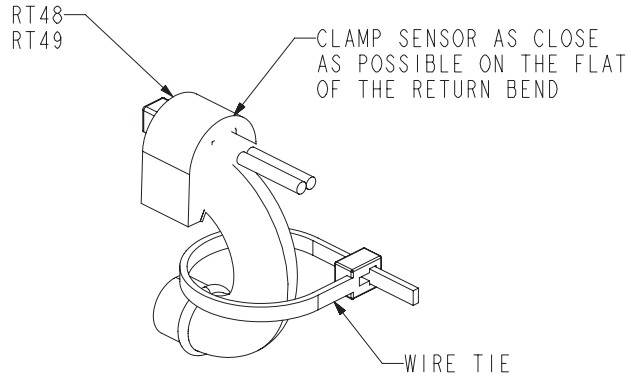
LHT/LDT078, 092, 102, 122, 150  
INDOOR COIL  
RT46, RT47



DETAILS NOT TO SCALE

FIGURE 27

LHT/LDT078, 092, 102, 122, 150  
CONDENSER COIL  
RT48, RT49



SENSOR DETAIL

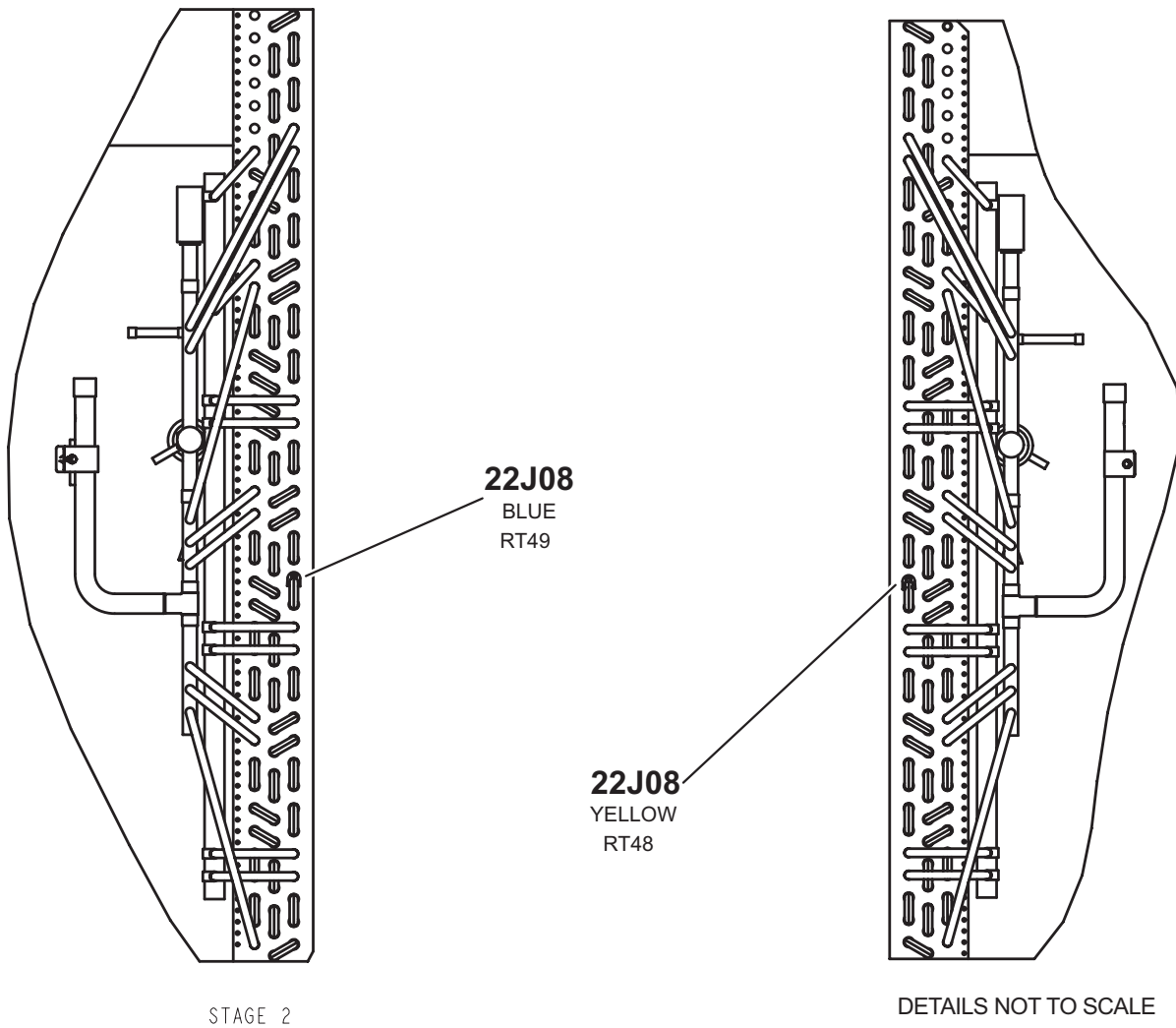


FIGURE 28

LHT/LDT156, 180, 240  
INDOOR COIL  
RT46, RT47

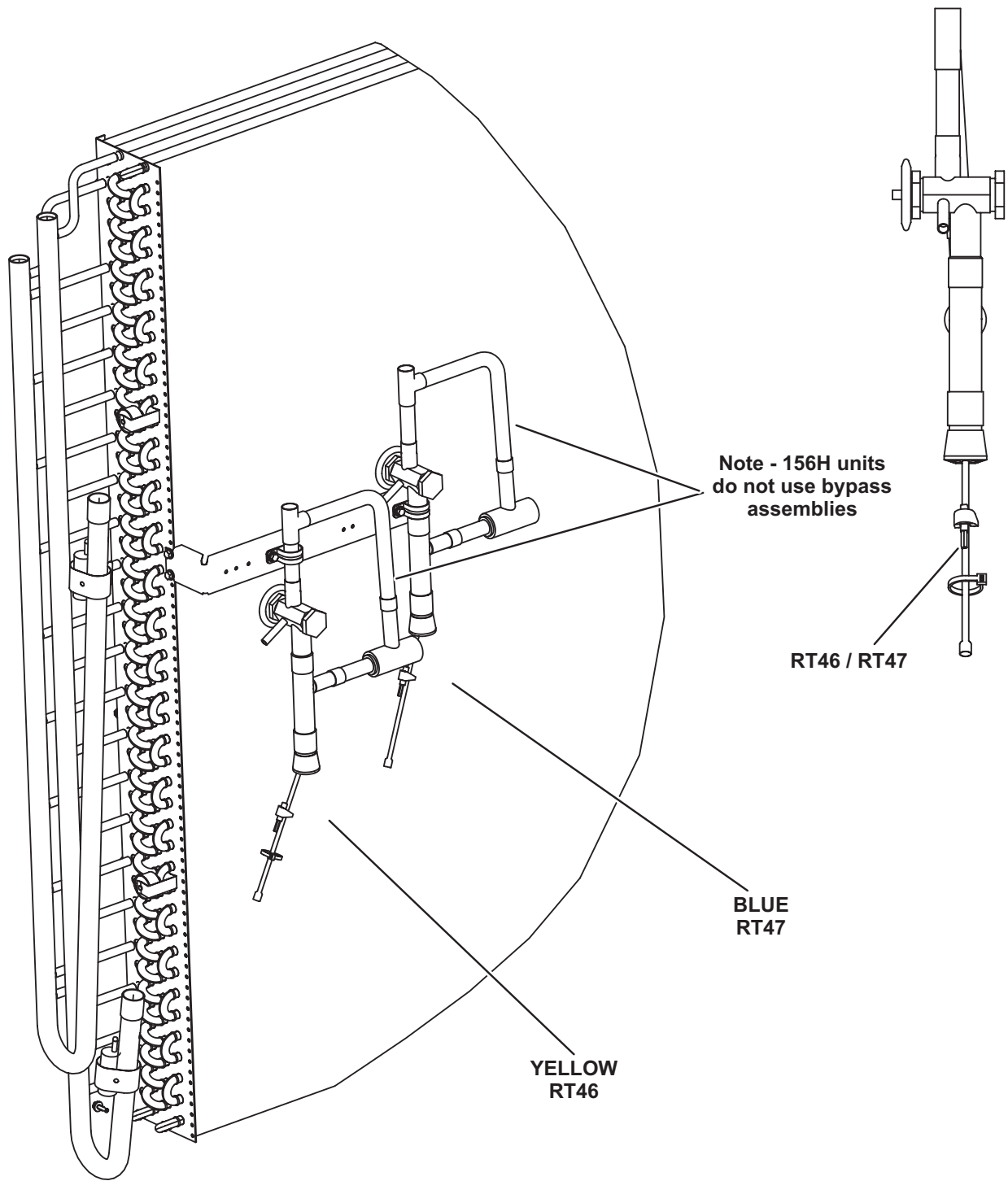


FIGURE 29

LHT/LDT156, 180, 240  
OUTDOOR COIL  
RT48, RT49

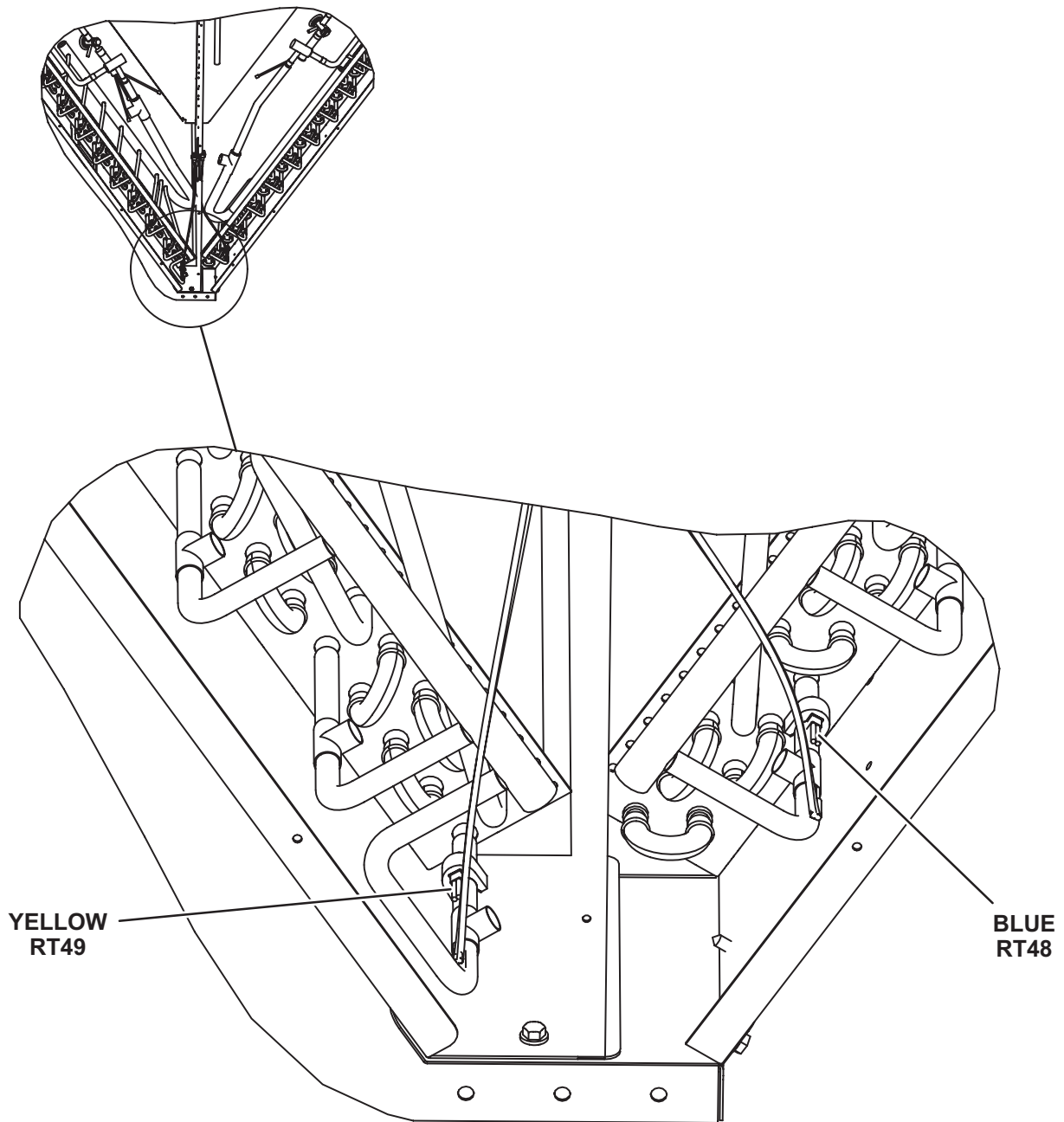


FIGURE 30