



**SUBMITTAL DATA – Multi-Position
AHU MPC048S4S-1P – MMA048S4-1P**
SINGLE ZONE MINI-SPLIT HEAT PUMP

Job: _____
Location: _____
Schedule No.: _____
System Designation: _____

Engineer: _____
Architect: _____
Date: _____
For: Reference Approval Review Construction

FEATURES

Outdoor Unit: MPC048S4S-1P



- DC Inverter Control
- Compressor Overcurrent Protection
- Base Pan Heater
- Defrost Control

Indoor Unit: MMA048SM4-1P



- Constant torque blower motor
- Multi-position cabinet (upflow, downflow, horizontal)
- Completely insulated with foil faced fiberglass insulation
- Low leakage (less than 2%) cabinet
- Furnished Wired Programmable Controller and Wireless Remote Controller

PIPING

Line Set and Elevation Guidelines

Maximum Line Set Length ft. (m)	213 (65)
Maximum Elevation - Outdoor Unit Below/Above Indoor Unit ft. (m)	98 (30)
Liquid Line Set Diameter (in.)	3/8
Gas Line Set Diameter (in.)	5/8
Pre-Charged (ft.)	25
Additional Charge of Refrigerant (oz/ft.)	0.32

PRODUCT WARRANTY

Compressor – Twelve year limited warranty*
 All other covered components - Twelve year limited warranty*
 *Product registration required

OPTIONAL ACCESSORIES

Hail Guards (M9GARD21Q-1)
 Wired Non-PGM Controller (M0STAT120L-1)
 M30 Smart Wi-Fi Thermostat (M0STAT64Q-2)



NOTE – Due to Lennox' ongoing commitment to quality, Specifications, Ratings, and Dimensions are subject to change without notice and without incurring liability. Improper installation, adjustment, alteration, service or maintenance can cause property damage or personal injury. Installation and service must be performed by a qualified installer and servicing agency.



SUBMITTAL DATA – Multi-Position
AHU MPC048S4S-1P – MMA048S4-1P
 SINGLE ZONE MINI-SPLIT HEAT PUMP

OUTDOOR SPECIFICATIONS

PERFORMANCE	
Cooling Capacity (Btu/h) ¹	48,000
EER2	8.2
SEER2	15.3
Heating Capacity (Btu/h) ¹	55,000
HSPF2	9.2
Outdoor Fan Total Air Volume (CFM)	4,500
Ambient Temperature Operating Range	
Cooling	-13°F - 122°F
Heating	-13°F - 86°F
ELECTRICAL DATA	
Power Supply (V/Hz/Φ)	208-230/60/1
Minimum Circuit Ampacity (A)	36.5
Maximum Overcurrent Protection (A)	50
No. of Compressors	1

GENERAL DATA	
Connection Ratio (%)	100%
Max. # of Indoor Units	1 unit
Sound Data (dBA) - Cooling/Heating	63.5/63.5
Refrigerant type	R-410A
Factory refrigerant charge	9 lbs. 15 oz.
DIMENSIONS	
Unit Dimensions (in)	Height 44-5/8
	Width 41-1/8
	Depth 16-3/8
Shipping Weight (lb)	249
Net Weight (lb)	219

NOTES

1. Cooling and Heating Capacity data is rated at the following conditions:
 Cooling: 80°FDB / 67°FWB Indoor, 95°FDB Outdoor
 Heating: 70°FDB Indoor, 47°FDB / 43°FWB Outdoor

INDOOR SPECIFICATIONS

PERFORMANCE		
Airflow (CFM)	High	1282
	Medium	1094
	Low	906
External Static Pressure (in. w.g.)		0 - 0.80
Sound Pressure (dBA)	High	53.5
	Medium	47
	Low	43.5
ELECTRICAL DATA		
Power Supply (V/Hz/Φ)	208/230V 60Hz 1Ph	
Maximum Overcurrent Protection (MOCP)		15
Minimum Circuit Ampacity (MCA)		7.5

DIMENSIONS		
Unit Dimensions (in)	Height	49
	Width	17-1/2
	Depth	21
Shipping Weight (lb)		156
PIPING		
Liquid/Gas O.D. Flare (in.)		3/8 , 5/8
Drain Connection O.D. (in.)		3/4
FILTERS		
Size of filter - in.		19-1/2 x 20 x 1
Optional Electric Heat	Electric Heat - Please see EHB	
Electric Heat Net Weight - lbs.		15

INDOOR DIMENSIONAL DRAWINGS - INCHES (MM)

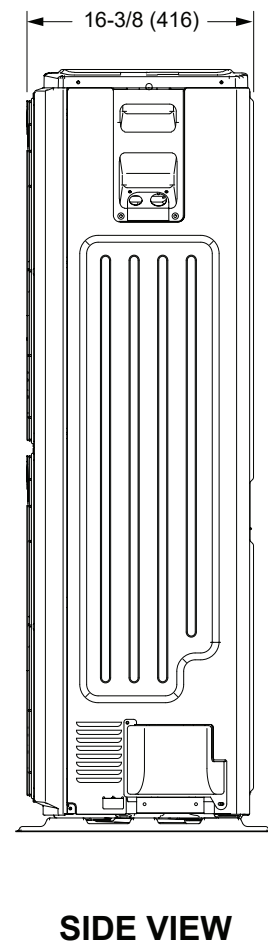
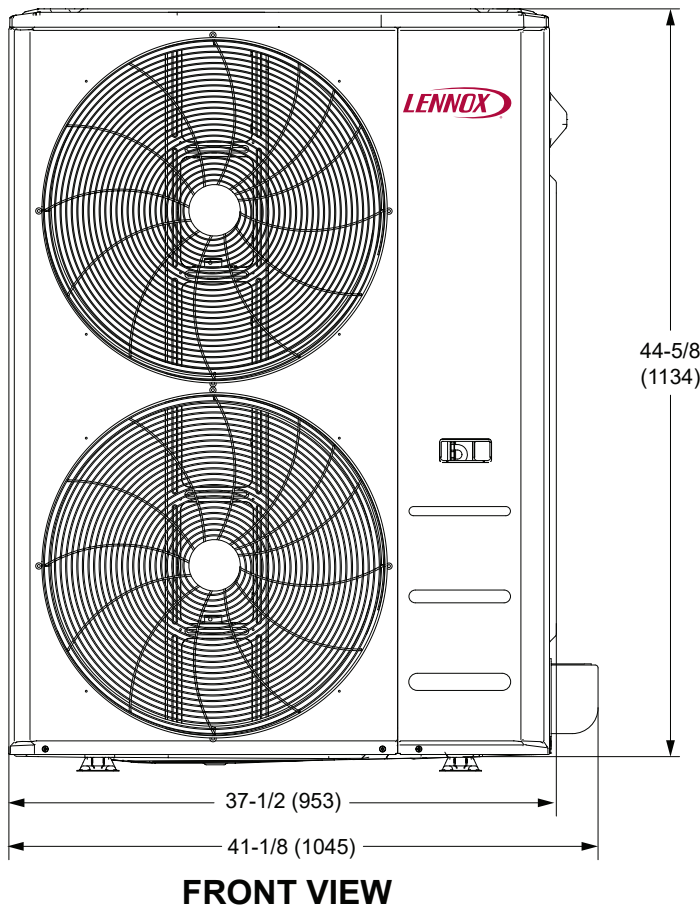
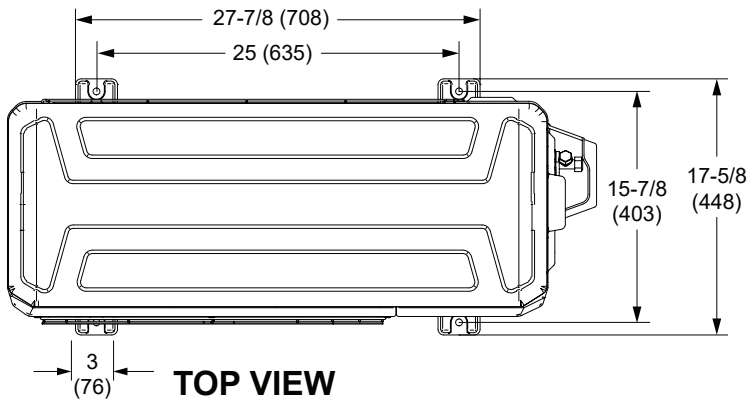
Model No.	018 / 024		036 / 048		060	
	in.	mm	in.	mm	in.	mm
A (Height)	45	1143	49	1245	53	1346
B Width)	17-1/2	445	21-1/4	540	24-1/2	622
C	15-5/8	397	19-1/8	486	22-5/8	575
D	15-1/8	384	18-5/8	473	22-1/8	562
E	1-1/4	32	1-1/4	32	1-1/8	28
F	1-1/2	38	1-5/8	41	1-5/8	41
G	5/8	16	5/8	16	3/4	19

NOTE – Due to Lennox' ongoing commitment to quality, Specifications, Ratings, and Dimensions are subject to change without notice and without incurring liability. Improper installation, adjustment, alteration, service or maintenance can cause property damage or personal injury. Installation and service must be performed by a qualified installer and servicing agency.



SUBMITTAL DATA - **Multi-Position**
AHU MPC048S4S-1P - MMA048S4-1P
SINGLE ZONE MINI-SPLIT HEAT PUMP

OUTDOOR DIMENSIONAL DRAWINGS - INCHES (MM)

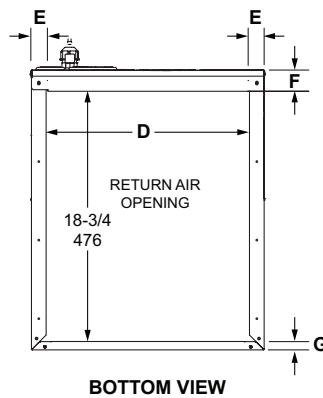
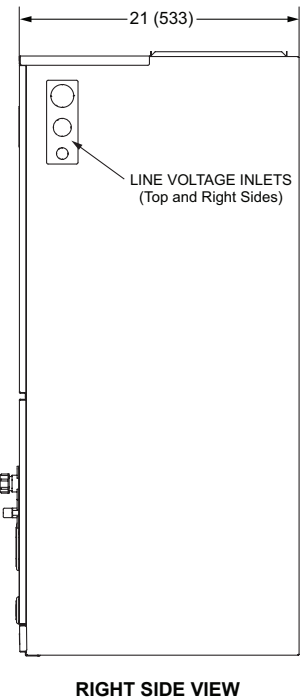
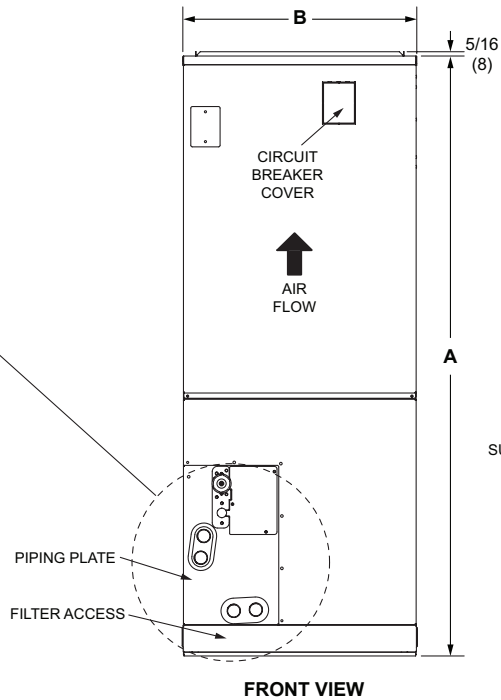
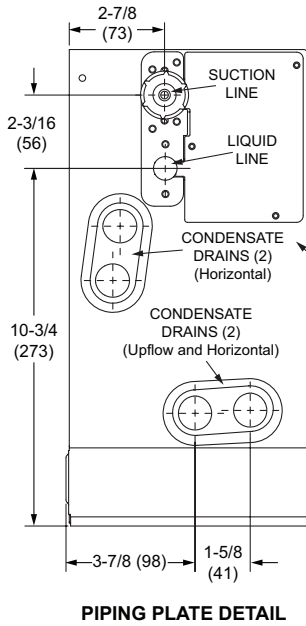
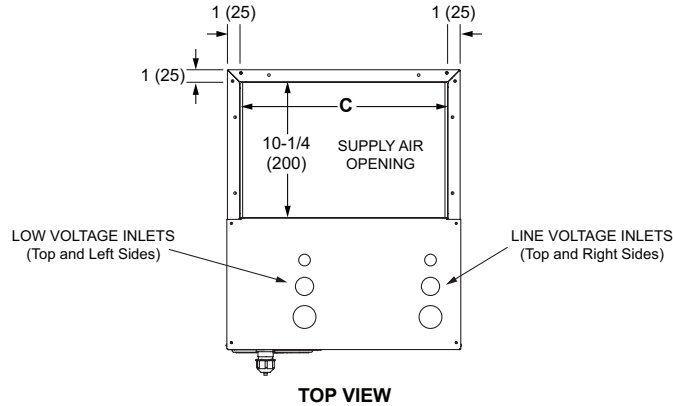


NOTE - Due to Lennox' ongoing commitment to quality, Specifications, Ratings, and Dimensions are subject to change without notice and without incurring liability. Improper installation, adjustment, alteration, service or maintenance can cause property damage or personal injury. Installation and service must be performed by a qualified installer and servicing agency.



SUBMITTAL DATA – **Multi-Position**
AHU MPC048S4S-1P – MMA048S4-1P
 SINGLE ZONE MINI-SPLIT HEAT PUMP

INDOOR DIMENSIONAL DRAWINGS - INCHES (MM)



NOTE – Due to Lennox' ongoing commitment to quality, Specifications, Ratings, and Dimensions are subject to change without notice and without incurring liability. Improper installation, adjustment, alteration, service or maintenance can cause property damage or personal injury. Installation and service must be performed by a qualified installer and servicing agency.
 496009 (202407) ©2024 Lennox Industries, Inc.