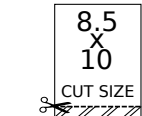
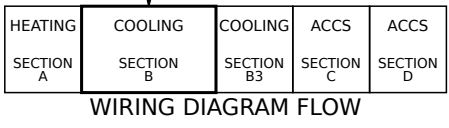


10 Model: LCX, LGX, LHX 024S - 060S G AND J VOLT COOLING - ECM BLOWER
 Voltage: 460V/3~60Hz (G), 575V/3~60Hz (J)
 Supersedes: N/A Form No: 538408-01 Rev: 000

KEY LIST		
LOCATION	COMPONENT DESCRIPTION	
AA03	A55	CONTROL BOARD, MAIN
BB08	B1	COMPRESSOR 1
GG01_DD07	B3	MOTOR, BLOWER
GG07	B4	MOTOR, OUTDOOR FAN 1
GG08	B10	MOTOR, EXHAUST FAN 1
GG08	C1	CAPACITOR, OUTDOOR FAN 1
GG08	C6	CAPACITOR, EXHAUST FAN 1
CC05	F57	FUSE BLOCK, T5 TRANSFORMER PRIMARY
BB08	HR1	HEATER, COMPRESSOR 1
BB04_05_06	K1	CONTACTOR, COMPRESSOR 1
BB04_FF05	K10	RELAY, OUTDOOR FAN 1
CC04_GG05	K65	RELAY, EXHAUST FAN 1
BB08_FF04	K191	RELAY, CRANKCASE HEATER 1
GG04	L14	VALVE, SOLENOID, REHEAT COIL 1
EE01	RT6	SENSOR, A55 DISCHARGE (IMC)
CC01	RT17	SENSOR, OUTSIDE AIR TEMP
EE02	RT46	SENSOR, SAT. SUCT TEMP., COMP 1
AA01	S4	LIMIT, HI PRESS. SWITCH, COMP 1
AA02	S11	SWITCH, LOW PRESS., LOW AMBIENT
AA01	S87	SWITCH, LOW PRESS., COMP 1
DD04	T1	TRANSFORMER, CONTROL
DD06	T5	TRANSFORMER, OUTDOOR FAN MOTOR
EE04	T43	TRANSFORMER, REHEAT

← DENOTES OPTIONAL COMPONENTS AND WIRING

WARNING
 DISCONNECT ALL POWER BEFORE SERVICING.
 ELECTRIC SHOCK HAZARD, CAN CAUSE INJURY OR DEATH. UNIT MUST BE GROUNDED IN ACCORDANCE WITH NATIONAL AND LOCAL CODES.
 FOR USE WITH COPPER CONDUCTORS ONLY. REFER TO UNIT RATING PLATE FOR MINIMUM CIRCUIT AMPACITY AND MAXIMUM OVERCURRENT PROTECTION SIZE.
 IF ANY WIRE IN THIS APPLIANCE IS REPLACED, IT MUST BE REPLACED WITH WIRE OF LIKE SIZE, RATING AND INSULATION THICKNESS.



REV	EC NO.	DATE	BY	APVD	REVISION NOTE
---	CN-012554F	01/22/2024	RXJ	MCF	ORIGINATED AT PD&R CARROLLTON, TX



538408-01

01

02

03

04

05

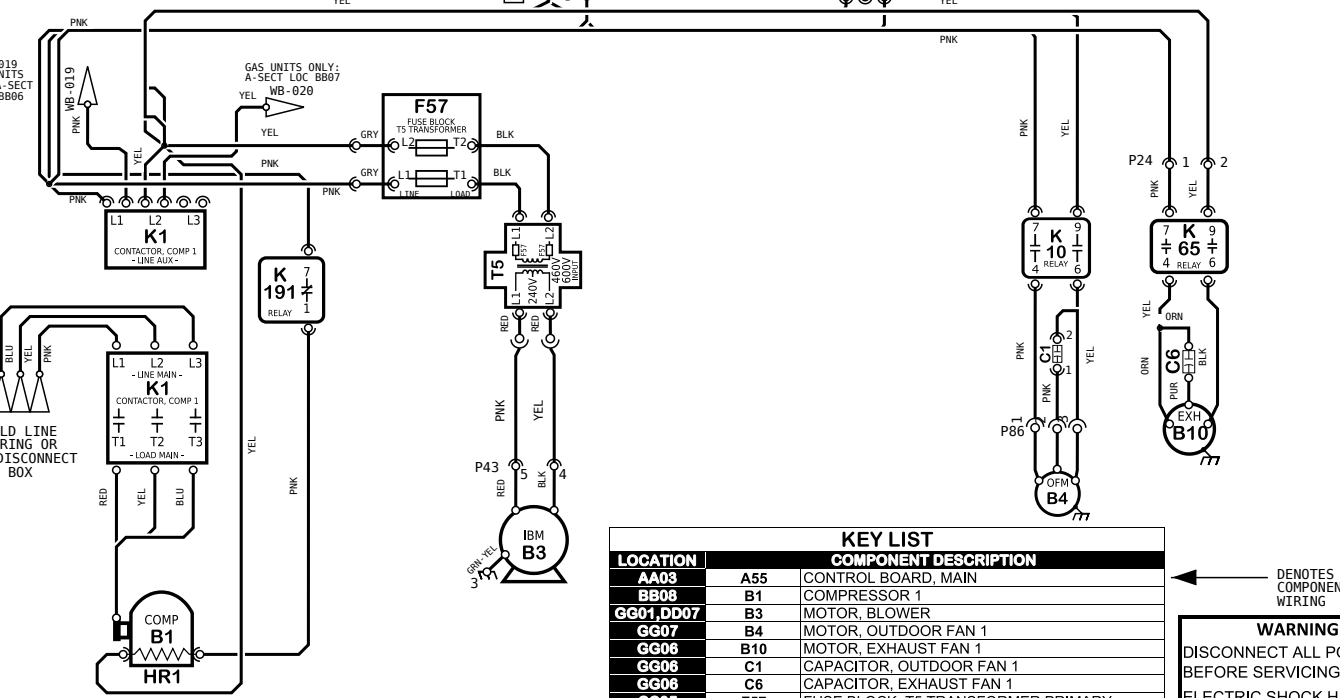
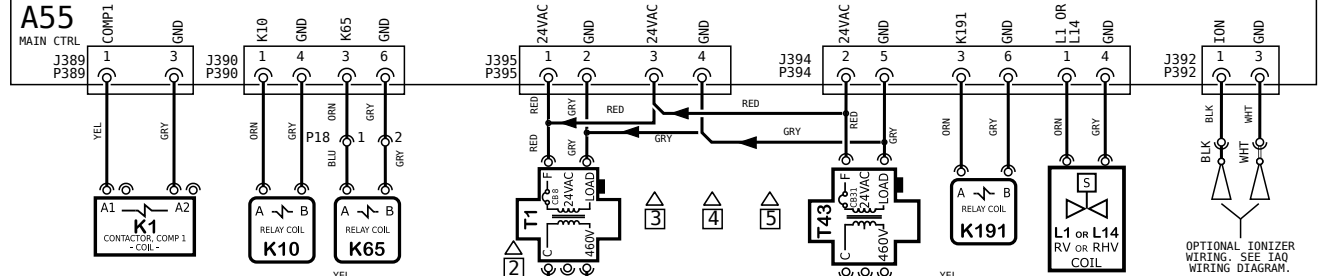
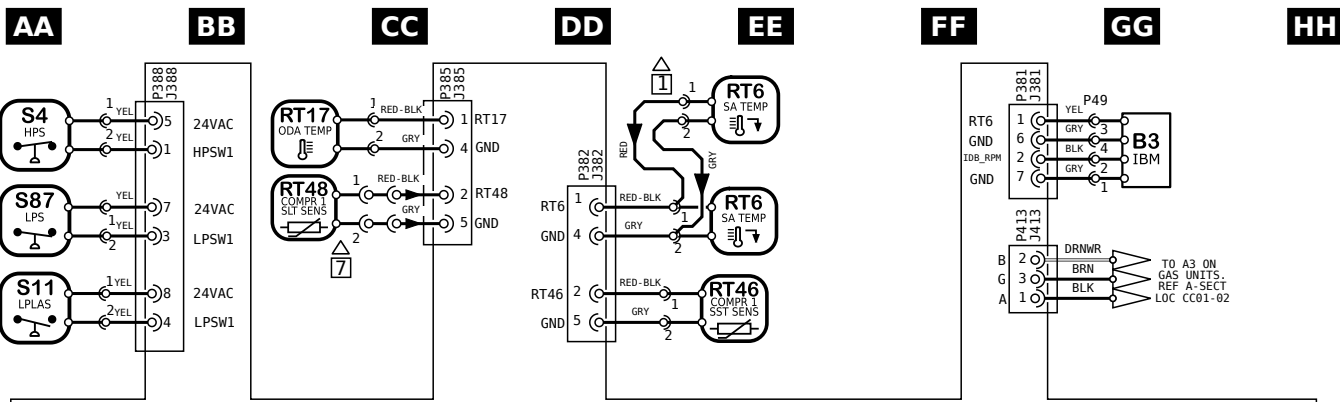
06

07

08

09

10



NOTES	
1	RT6 REMOTE MOUNT WIRING
2	MOVE WIRES FROM 240 TO 208 TAP ON TRANSFORMER FOR 208 VOLT APPLICATIONS
3	W/O HUMIDITROL, W/O PHASE DETECTION - T1 CONNECTED TO J/P395-1,2,3,4
4	PHASE DETECTION - T1 CONNECTED TO J/P395-1,2. T43 CONNECTED TO J/P395-3,4
5	HUMIDITROL - T1 CONNECTED TO J/P395-1,2. T43 CONNECTED TO J/P395-3,4 & J/P394-2,5. L14 CONNECTED TO J/P394-1,4

KEY LIST		
LOCATION	COMPONENT	DESCRIPTION
AA03	A55	CONTROL BOARD, MAIN
BB08	B1	COMPRESSOR 1
GG01, DD07	B3	MOTOR, BLOWER
GG07	B4	MOTOR, OUTDOOR FAN 1
GG08	B10	MOTOR, EXHAUST FAN 1
GG08	C1	CAPACITOR, OUTDOOR FAN 1
GG08	C6	CAPACITOR, EXHAUST FAN 1
CC05	F57	FUSE BLOCK, T5 TRANSFORMER PRIMARY
BB08	HR1	HEATER, COMPRESSOR 1
BB04, 05, 06	K1	CONTACTOR, COMPRESSOR 1
BB04, FF05	K10	RELAY, OUTDOOR FAN 1
CC04, GG05	K65	RELAY, EXHAUST FAN 1
BB08, FF04	K191	RELAY, CRANKCASE HEATER 1
GG04	L14	VALVE, SOLENOID, REHEAT COIL 1
EE01	RT6	SENSOR, A55 DISCHARGE (IMC)
CC01	RT17	SENSOR, OUTSIDE AIR TEMP
EE02	RT46	SENSOR, SAT. SUCT TEMP., COMP 1
AA01	S4	LIMIT, HI PRESS. SWITCH, COMP 1
AA02	S11	SWITCH, LOW PRESS., LOW AMBIENT
AA01	S87	SWITCH, LOW PRESS., COMP 1
DD04	T1	TRANSFORMER, CONTROL
DD06	T5	TRANSFORMER, OUTDOOR FAN MOTOR
EE04	T43	TRANSFORMER, REHEAT

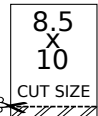
← DENOTES OPTIONAL COMPONENTS AND WIRING

WARNING
DISCONNECT ALL POWER BEFORE SERVICING.
ELECTRIC SHOCK HAZARD, CAN CAUSE INJURY OR DEATH. UNIT MUST BE GROUNDED IN ACCORDANCE WITH NATIONAL AND LOCAL CODES.
FOR USE WITH COPPER CONDUCTORS ONLY. REFER TO UNIT RATING PLATE FOR MINIMUM CIRCUIT AMPACITY AND MAXIMUM OVERCURRENT PROTECTION SIZE.
IF ANY WIRE IN THIS APPLIANCE IS REPLACED, IT MUST BE REPLACED WITH WIRE OF LIKE SIZE, RATING AND INSULATION THICKNESS.

Model:	LCX, LGX, LHX 024S - 060S G AND J VOLT
	COOLING - ECM BLOWER
Voltage:	460V/3~60Hz (G), 575V/3~60Hz (J)
Supersedes:	N/A Form No: 538408-01 Rev: 000

HEATING	COOLING	COOLING	ACCS	ACCS
SECTION A	SECTION B	SECTION B3	SECTION C	SECTION D

WIRING DIAGRAM FLOW



REV	EC NO.	DATE	BY	APVD	REVISION NOTE
---	CN-012554F	01/22/2024	RXJ	MCF	ORIGINATED AT PD&R CARROLLTON, TX