



SUBMITTAL DATA – **Multi-Position AHU**
MLB024S4S-1P – MMA024SM4-1P
 SINGLE ZONE MINI-SPLIT HEAT PUMP

Job: _____
Location: _____
Schedule No.: _____
System Designation: _____

Engineer: _____
Architect: _____
Date: _____
For: Reference Approval Review Construction

FEATURES

Outdoor Unit: MLB024S4S-1P



- Low Ambient Heating/Cooling
- DC Inverter Control
- Compressor Overcurrent Protection
- Base Dancer
- Defrost Control

Indoor Unit: MMA024SM4-1P



- Constant torque blower motor
- Multi-position cabinet (upflow, downflow, horizontal)
- Completely insulated with foil faced fiberglass insulation
- Low leakage (less than 2%) cabinet

PIPING

| Line Set and Elevation Guidelines | |
|--|----------------|
| Maximum Line Set Length ft. (m) | 164 ft. (50 m) |
| Maximum Elevation - Outdoor Unit Below/Above Indoor Unit ft. (m) | 82 ft. (25 m) |
| Liquid Line Set Diameter (in.) | 3/8 |
| Gas Line Set Diameter (in.) | 5/8 |
| Pre-Charged (ft.) | 25 |
| Additional Charge of Refrigerant (oz/ft.) | 0.32 |

PRODUCT WARRANTY

Compressor – Twelve year limited warranty*
 All other covered components - Twelve year limited warranty*
 *Product registration required

OPTIONAL ACCESSORIES

Hail Guard Set (M9GARD22Q-1/24M84)
 Programmable Controller (M0STAT120N-1)
 M30 Smart Wi-Fi Thermostat (M0STAT64Q-2)



NOTE – Due to Lennox' ongoing commitment to quality, Specifications, Ratings, and Dimensions are subject to change without notice and without incurring liability. Improper installation, adjustment, alteration, service or maintenance can cause property damage or personal injury. Installation and service must be performed by a qualified installer and servicing agency.



SUBMITTAL DATA - Multi-Position AHU

MLB024S4S-1P – MMA024SM4-1P

SINGLE ZONE MINI-SPLIT HEAT PUMP

OUTDOOR SPECIFICATIONS

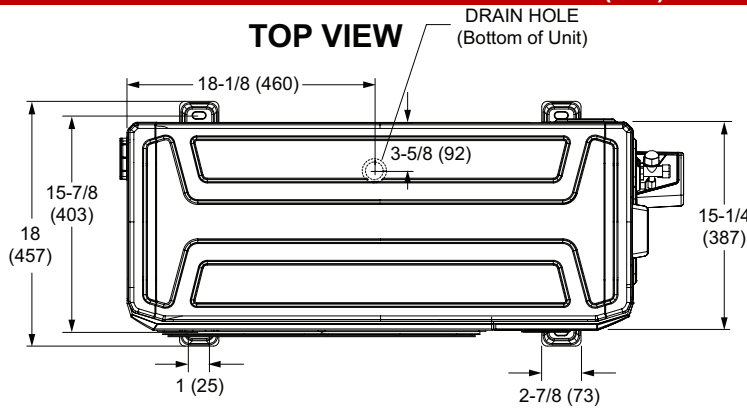
| PERFORMANCE | |
|---|------------------------|
| Cooling Capacity (Min/Max) (Btu/h) ¹ | 24,000 (6,560/27,800) |
| EER2 | 12.0 |
| SEER2 | 19.2 |
| Heating Capacity (Min/Max) (Btu/h) ¹ | 24,600 (12,260/32,200) |
| HSPF2 | 10.5 |
| Outdoor Fan Total Air Volume (CFM) | 2,355 |
| Ambient Temperature Operating Range | |
| Cooling | -22°F - 122°F |
| Heating | -22°F - 86°F |
| ELECTRICAL DATA | |
| Power Supply (V/Hz/Φ) | 208-230/60/1 |
| Minimum Circuit Ampacity (A) | 25 |
| Maximum Overcurrent Protection (A) | 35 |
| Outdoor Fan Motor RLA (A) | 0.5 |
| No. of Compressors | 1 |

| GENERAL DATA | |
|------------------------------------|---------------|
| Connection Ratio (%) | 100% |
| Max. # of Indoor Units | 1 unit |
| Sound Data (dBA) - Cooling/Heating | 62/62 |
| Refrigerant type | R-410A |
| Factory refrigerant charge | 5 lbs. 12 oz. |
| DIMENSIONS | |
| Unit Dimensions (in) | Height 31-7/8 |
| | Width 40-1/2 |
| | Depth 15-1/4 |
| Shipping Weight (lb) | 145 |
| Net Weight (lb) | 135 |

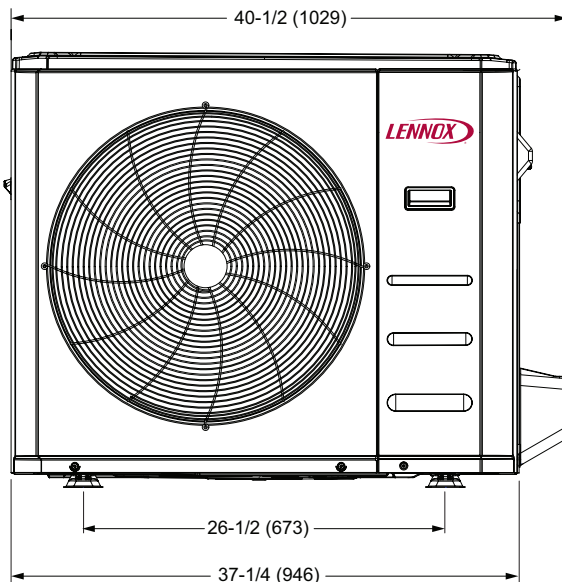
NOTES

1. Cooling and Heating Capacity data is rated at the following conditions:
 Cooling: 80°FDB / 67°FWB Indoor, 95°FDB Outdoor
 Heating: 70°FDB Indoor, 47°FDB / 43°FWB Outdoor

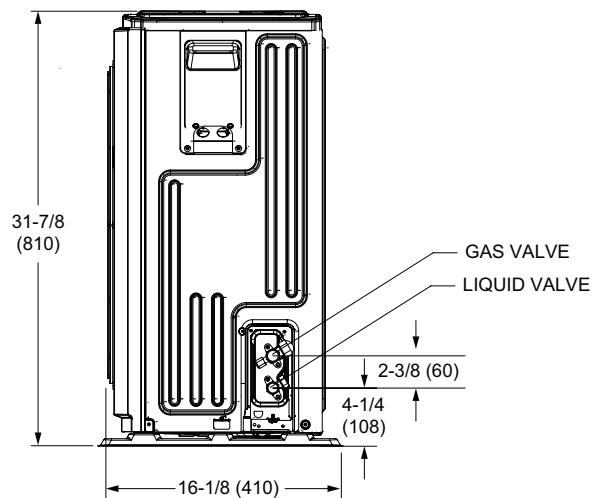
OUTDOOR DIMENSIONAL DRAWINGS - INCHES (MM)



FRONT VIEW



SIDE VIEW



NOTE – Due to Lennox' ongoing commitment to quality, Specifications, Ratings, and Dimensions are subject to change without notice and without incurring liability. Improper installation, adjustment, alteration, service or maintenance can cause property damage or personal injury. Installation and service must be performed by a qualified installer and servicing agency.
 496004 (202306) ©2023 Lennox Industries, Inc.



SUBMITTAL DATA – Multi-Position AHU

MLB024S4S-1P – MMA024SM4-1P

SINGLE ZONE MINI-SPLIT HEAT PUMP

INDOOR SPECIFICATIONS

PERFORMANCE

| | | |
|-------------------------------------|--------|----------|
| Airflow (CFM) | High | 759 |
| | Medium | 694 |
| | Low | 629 |
| External Static Pressure (in. w.g.) | | 0 - 0.80 |
| Sound Pressure (dBA) | High | 41 |
| | Medium | 39 |
| | Low | 38 |

ELECTRICAL DATA

| | |
|---------------------------------------|-------------------|
| Power Supply (V/Hz/Φ) | 208/230V 60Hz 1Ph |
| Maximum Overcurrent Protection (MOCP) | 15 |
| Minimum Circuit Ampacity (MCA) | 4 |

DIMENSIONS

| | | |
|----------------------|--------|-----|
| Unit Dimensions (in) | Height | 11 |
| | Width | 62 |
| | Depth | 13 |
| Shipping Weight (lb) | | 128 |

PIPING

| | |
|-----------------------------|-----------|
| Liquid/Gas O.D. Flare (in.) | 3/8 , 5/8 |
| Drain Connection O.D. (in.) | 3/4 |

FILTERS

| | |
|---------------------------------|--------------------------------|
| Size of filter - in. | 16 X 20 X 1 |
| Optional Electric Heat | Electric Heat - Please see EHB |
| Electric Heat Net Weight - lbs. | 13 |

INDOOR DIMENSIONAL DRAWINGS - INCHES (MM)

| Model No. | 018 / 024 | | 036 / 048 | | 060 | |
|------------|-----------|------|-----------|------|--------|------|
| | in. | mm | in. | mm | in. | mm |
| A (Height) | 45 | 1143 | 49 | 1245 | 53 | 1346 |
| B Width) | 17-1/2 | 445 | 21-1/4 | 540 | 24-1/2 | 622 |
| C | 15-5/8 | 397 | 19-1/8 | 486 | 22-5/8 | 575 |
| D | 15-1/8 | 384 | 18-5/8 | 473 | 22-1/8 | 562 |
| E | 1-1/4 | 32 | 1-1/4 | 32 | 1-1/8 | 28 |
| F | 1-1/2 | 38 | 1-5/8 | 41 | 1-5/8 | 41 |
| G | 5/8 | 16 | 5/8 | 16 | 3/4 | 19 |

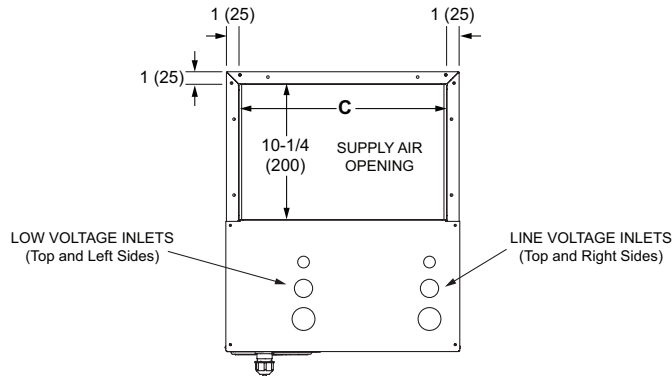


SUBMITTAL DATA - Multi-Position AHU

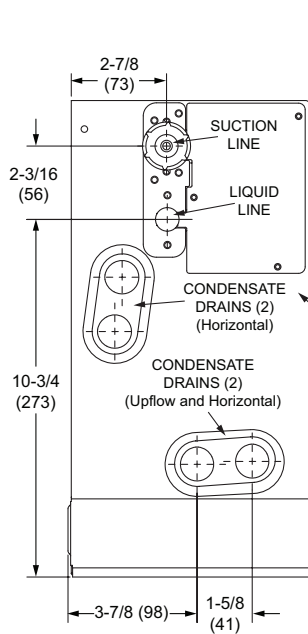
MLB024S4S-1P - MMA024SM4-1P

SINGLE ZONE MINI-SPLIT HEAT PUMP

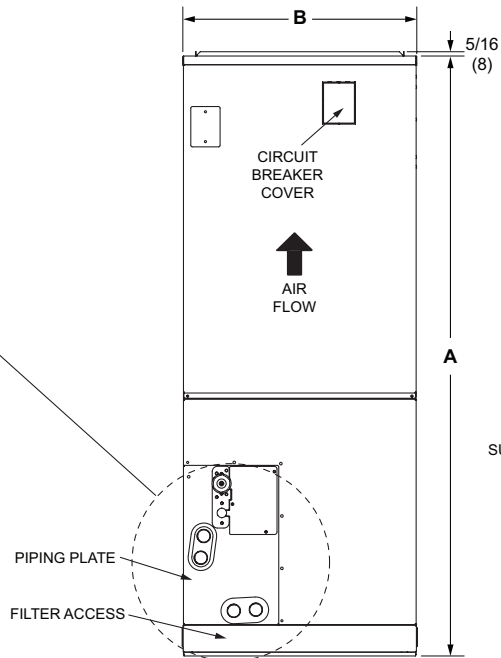
INDOOR DIMENSIONAL DRAWINGS - INCHES (MM)



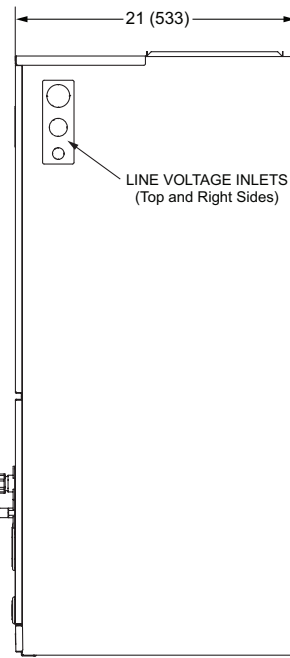
TOP VIEW



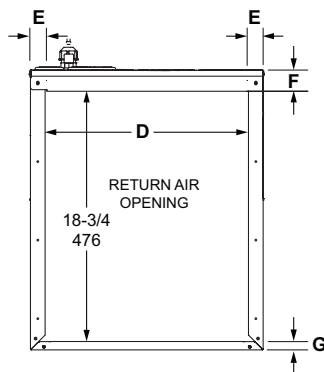
PIPING PLATE DETAIL



FRONT VIEW



RIGHT SIDE VIEW



BOTTOM VIEW

NOTE - Due to Lennox' ongoing commitment to quality, Specifications, Ratings, and Dimensions are subject to change without notice and without incurring liability. Improper installation, adjustment, alteration, service or maintenance can cause property damage or personal injury. Installation and service must be performed by a qualified installer and servicing agency.