

**FLUE COVER
REPLACEMENT KIT**

**INSTALLATION INSTRUCTIONS FOR FLUE COVER REPLACEMENT KIT
(628742-01; 28Y62) USED WITH LG/LD 078-152 UNITS**

Shipping and Packing List

- 1- Flue cover assembly
- Bag assembly containing:
 - 1- Installation instruction
 - 10- Screws

Application

This flue cover replacement kit is used on LG/LD 078-152 units.

⚠ WARNING

Improper installation, adjustment, alteration, service or maintenance can cause property damage, personal injury or loss of life. Installation and service must be performed by a licensed professional HVAC installer or equivalent, service agency, or the gas supplier.

⚠ CAUTION

As with any mechanical equipment, contact with sharp sheet metal edges can result in personal injury. Take care while handling this equipment and wear gloves and protective clothing.

⚠ WARNING



Danger of explosion. Can cause injury or product or property damage. Do not use matches, candles, flame or other sources of ignition to check for leaks.

⚠ WARNING



Electric shock hazard. Can cause injury or death. Do not use this unit if any part has been under water. Immediately call a qualified service technician to inspect the unit and to replace any part of the control system and any gas control which has been under water.

⚠ WARNING



Danger of explosion. Can cause injury or product or property damage. If overheating occurs or if gas supply fails to shut off, shut off the manual gas valve to the appliance before shutting off electrical supply.

⚠ WARNING



Electric shock hazard. Can cause injury or death. Before attempting to perform any service or maintenance, turn the electrical power to unit OFF at disconnect switch(es). Unit may have multiple power supplies.

⚠ WARNING



Danger of explosion. Can cause injury or death. Do not attempt to light manually. Unit has a direct spark ignition system.

Remove Flue Cover

- 1 - Disconnect electrical power to unit. Wait five minutes before continuing service procedures to avoid electrical shock. This will allow internal capacitors time to fully discharge.
- 2 - Remove blower access door, heat access door, and associated mullion. See FIGURE 1.

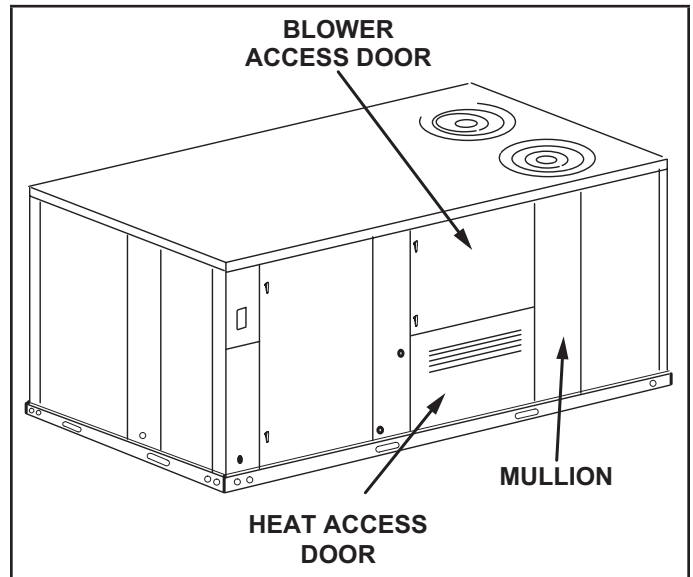


FIGURE 1

- 3 - Remove flue cover from divider wall by removing (6) screws. Discard flue cover after removal. See FIGURE 2.

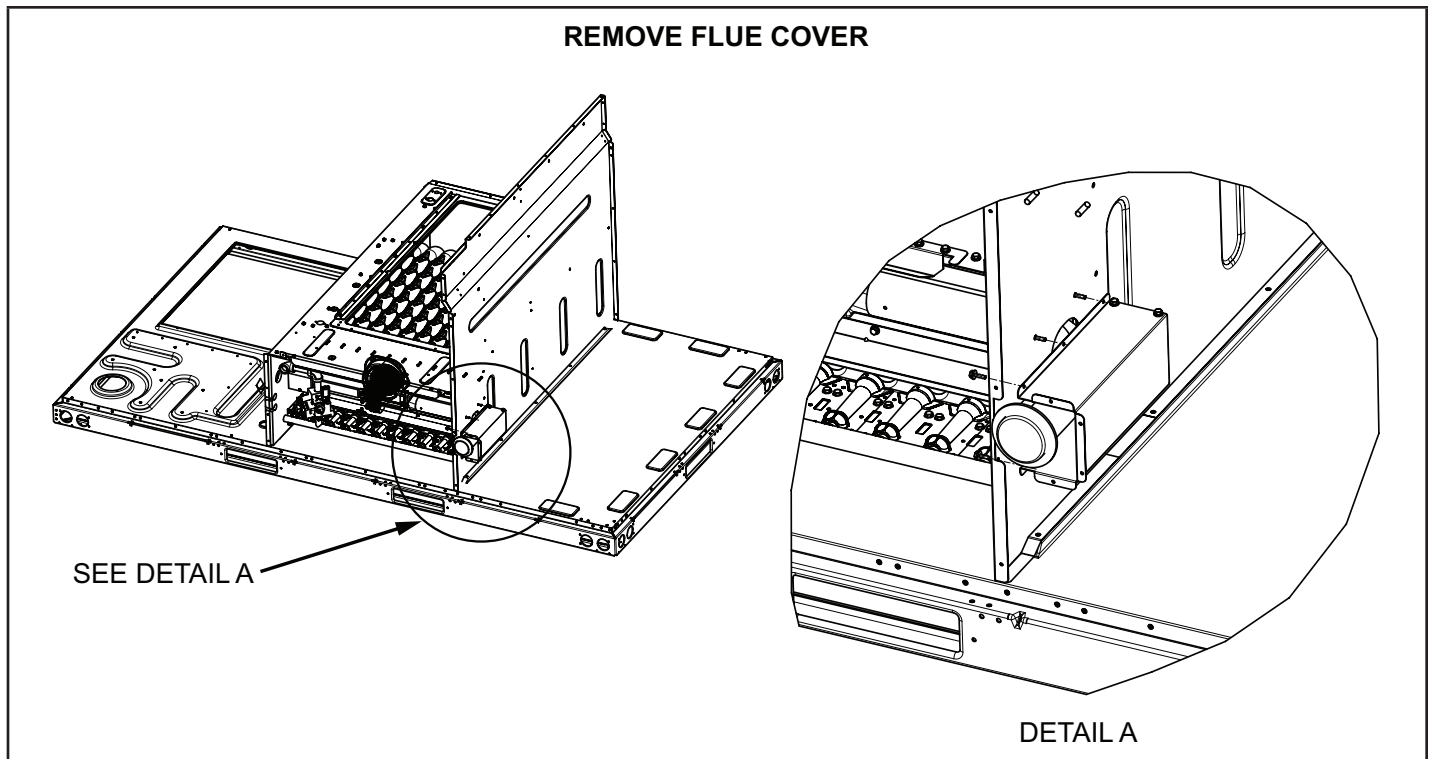


FIGURE 2

Install New Flue Cover

- 1 - Secure flue cover to divider wall using (6) provided screws. Cover should sit flush against divider wall with no gaps after installation. Screws should be driven left to right from the gas heat compartment through the divider wall and into engaging holes on flue cover. See FIGURE 2 - DETAIL A..
- 2 - Reinstall mullion, blower access door, and heat access door. Use (4) provided screws to secure flue cover to mullion after mullion installation. Cover should sit flush against mullion with no gaps after installation.
- 3 - Reconnect electrical power to unit.