

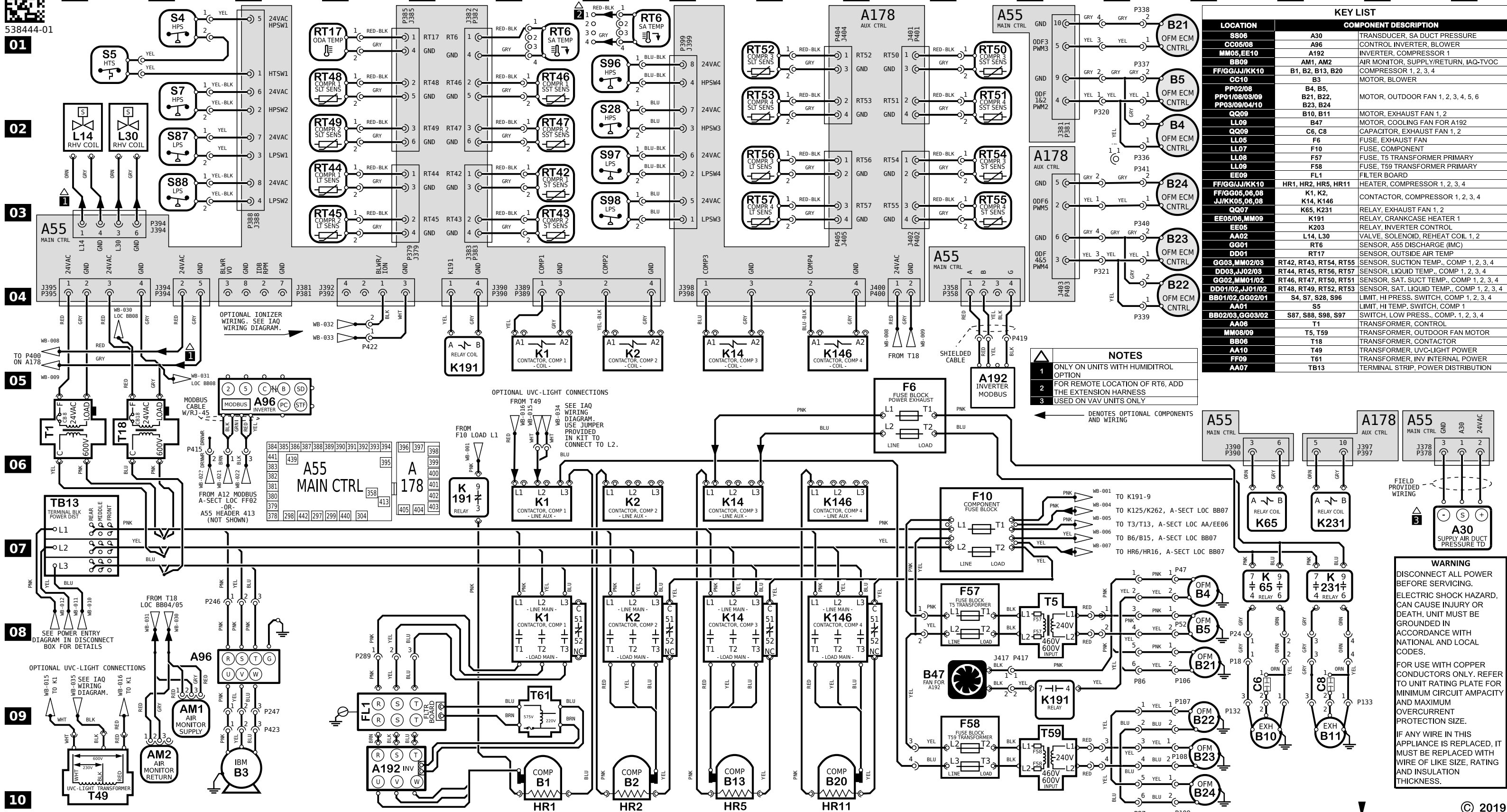
KEY LIST

LOCATION	COMPONENT DESCRIPTION
SS06	A30 TRANSUDGER, SA DUCT PRESSURE
CC05/08	A96 CONTROL INVERTER, BLOWER
MM05,EE10	A192 INVERTER, COMPRESSOR 1
BB09	AM1, AM2 AIR MONITOR, SUPPLY/RETURN, IAQ-TVOC
FF/GG/JJ/KK10	B1, B2, B13, B20 COMPRESSOR 1, 2, 3, 4
CC10	B3 MOTOR, BLOWER
PP02/08	B4, B5, MOTOR, OUTDOOR FAN 1, 2, 3, 4, 5, 6
PP01/08/03/09	B21, B22, B23, B24
PP03/09/04/10	B10, B11 MOTOR, EXHAUST FAN 1, 2
LL09	B47 MOTOR, COOLING FAN FOR A192
QQ09	C6, C8 CAPACITOR, EXHAUST FAN 1, 2
LL05	F6 FUSE, EXHAUST FAN
LL07	F10 FUSE, COMPONENT
LL08	F57 FUSE, T5 TRANSFORMER PRIMARY
LL09	F58 FUSE, T59 TRANSFORMER PRIMARY
EE09	FL1 FILTER BOARD
FF/GG/JJ/KK10	HR1, HR2, HR5, HR11 HEATER, COMPRESSOR 1, 2, 3, 4
FF/GG05,06,08	K1, K2, CONTACTOR, COMPRESSOR 1, 2, 3, 4
JJ/KK05,06,08	K14, K146 CONTACTOR, COMPRESSOR 1, 2, 3, 4
QQ07	K65, K231 RELAY, EXHAUST FAN 1, 2
EE05/08,MM09	K191 RELAY, CRANKCASE HEATER 1
EE05	K203 RELAY, INVERTER CONTROL
AA02	L14, L30 VALVE, SOLENOID, REHEAT COIL 1, 2
GG01	RT6 SENSOR, A55 DISCHARGE (IMC)
DD01	RT17 SENSOR, OUTSIDE AIR TEMP
GG03,MM02/03	RT42, RT43, RT54, RT55 SENSOR, SUCTION TEMP., COMP 1, 2, 3, 4
DD03, JJ02/03	RT44, RT45, RT56, RT57 SENSOR, LIQUID TEMP., COMP 1, 2, 3, 4
GG02, MM01/02	RT46, RT47, RT50, RT51 SENSOR, SAT. SUCT. TEMP., COMP 1, 2, 3, 4
DD01/02, JJ01/02	RT48, RT49, RT52, RT53 SENSOR, SAT. LIQUID TEMP., COMP 1, 2, 3, 4
BB01/02, GG02/01	S4, S7, S28, S96 LIMIT, HI PRESS. SWITCH, COMP 1, 2, 3, 4
AA01	S5 LIMIT, HI TEMP. SWITCH, COMP 1
BB02/03, GG08/02	S87, S88, S98, S97 SWITCH, LOW PRESS., COMP. 1, 2, 3, 4
AA06	T1 TRANSFORMER, CONTROL
MM08/09	T5, T59 TRANSFORMER, OUTDOOR FAN MOTOR
BB06	T18 TRANSFORMER, CONTACTOR
AA10	T49 TRANSFORMER, UVC-LIGHT POWER
FF09	T61 TRANSFORMER, INV INTERNAL POWER
AA07	TB13 TERMINAL STRIP, POWER DISTRIBUTION

NOTES

- 1 ONLY ON UNITS WITH HUMIDITROL OPTION
- 2 FOR REMOTE LOCATION OF RT6, ADD THE EXTENSION HARNESS
- 3 USED ON VAV UNITS ONLY

▲ DENOTES OPTIONAL COMPONENTS AND WIRING



Model: LCM, LGM 210U, 240U, 300U, A2L - J-VOLT Voltage: 575V/3~/60Hz (J) Supersedes: N/A Form No: 538444-01 Rev: 0

10x17 CUT SIZE	REV	EC NO.	DATE	BY	APVD	REVISION NOTE
	---	CN-012015	04-30-2024	DEV	JAL21	ORIGINATED AT PD&R CARROLLTON, TX

WARNING

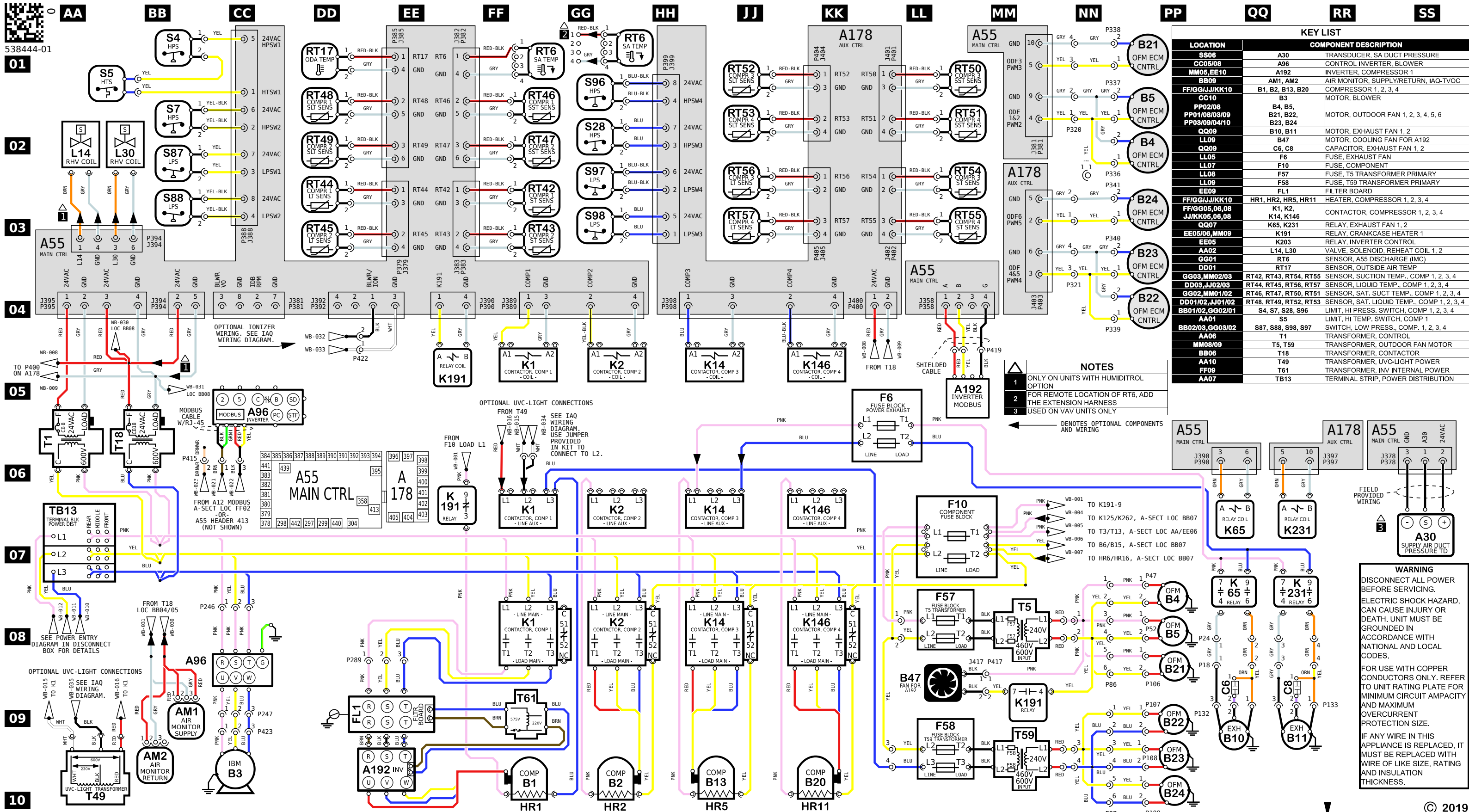
DISCONNECT ALL POWER BEFORE SERVICING. ELECTRIC SHOCK HAZARD. CAN CAUSE INJURY OR DEATH. UNIT MUST BE GROUNDED IN ACCORDANCE WITH NATIONAL AND LOCAL CODES.

FOR USE WITH COPPER CONDUCTORS ONLY. REFER TO UNIT RATING PLATE FOR MINIMUM CIRCUIT AMPACITY AND MAXIMUM OVERCURRENT PROTECTION SIZE.

IF ANY WIRE IN THIS APPLIANCE IS REPLACED, IT MUST BE REPLACED WITH WIRE OF LIKE SIZE, RATING AND INSULATION THICKNESS.

HEATING		COOLING		ACC'S	
SECTION A	SECTION B	SECTION C	SECTION B3	SECTION C	SECTION D

WIRING DIAGRAM FLOW



KEY LIST		
LOCATION	COMPONENT DESCRIPTION	
SS06	A30	TRANSDUCER, SA DUCT PRESSURE
CC05/08	A96	CONTROL INVERTER, BLOWER
MM05,EE10	A192	INVERTER, COMPRESSOR 1
BB09	AM1, AM2	AIR MONITOR, SUPPLY/RETURN, IAQ-TVOC
FF/GG/JJ/KK10	B1, B2, B13, B20	COMPRESSOR 1, 2, 3, 4
CC10	B3	MOTOR, BLOWER
PP02/08	B4, B5, B21, B22, B23, B24	MOTOR, OUTDOOR FAN 1, 2, 3, 4, 5, 6
QQ09	B10, B11	MOTOR, EXHAUST FAN 1, 2
LL09	B47	MOTOR, COOLING FAN FOR A192
QQ09	C6, C8	CAPACITOR, EXHAUST FAN 1, 2
LL05	F6	FUSE, EXHAUST FAN
LL07	F10	FUSE, COMPONENT
LL08	F57	FUSE, T5 TRANSFORMER PRIMARY
LL09	F58	FUSE, T59 TRANSFORMER PRIMARY
EE09	FL1	FILTER BOARD
FF/GG/JJ/KK10	HR1, HR2, HR5, HR11	HEATER, COMPRESSOR 1, 2, 3, 4
FF/GG05,06,08	K1, K2, K14, K146	CONTACTOR, COMPRESSOR 1, 2, 3, 4
JJ/KK05,06,08	K65, K231	RELAY, EXHAUST FAN 1, 2
QQ07	K191	RELAY, CRANKCASE HEATER 1
EE05/08,MM09	K203	RELAY, INVERTER CONTROL
EE05	L14, L30	VALVE, SOLENOID, REHEAT COIL 1, 2
AA02	RT6	SENSOR, A55 DISCHARGE (IMC)
GG01	RT17	SENSOR, OUTSIDE AIR TEMP
DD01	RT42, RT43, RT54, RT55	SENSOR, SUCTION TEMP., COMP 1, 2, 3, 4
GG03,MM02/03	RT44, RT45, RT56, RT57	SENSOR, LIQUID TEMP., COMP 1, 2, 3, 4
DD03, JJ02/03	RT46, RT47, RT50, RT51	SENSOR, SAT. SUCT TEMP., COMP 1, 2, 3, 4
GG02,MM01/02	RT48, RT49, RT52, RT53	SENSOR, SAT. LIQUID TEMP., COMP 1, 2, 3, 4
DD01/02, JJ01/02	S4, S7, S28, S96	LIMIT, HI PRESS. SWITCH, COMP 1, 2, 3, 4
BB01/02, GG02/01	S5	LIMIT, HI TEMP. SWITCH, COMP 1
AA01	S87, S88, S98, S97	SWITCH, LOW PRESS., COMP. 1, 2, 3, 4
BB02/03, GG08/02	T1	TRANSFORMER, CONTROL
AA06	T5, T59	TRANSFORMER, OUTDOOR FAN MOTOR
MM08/09	T18	TRANSFORMER, CONTACTOR
BB06	T49	TRANSFORMER, UVC-LIGHT POWER
AA10	T61	TRANSFORMER, INV INTERNAL POWER
FF09	TB13	TERMINAL STRIP, POWER DISTRIBUTION
AA07		

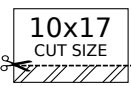
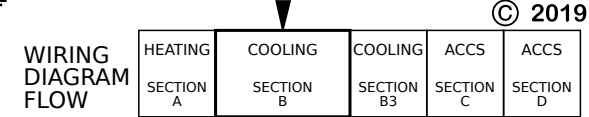
NOTES

- ONLY ON UNITS WITH HUMIDITROL OPTION
- FOR REMOTE LOCATION OF RT6, ADD THE EXTENSION HARNESS
- USED ON VAV UNITS ONLY

← DENOTES OPTIONAL COMPONENTS AND WIRING

Model: LCM, LGM 210U, 240U, 300U, A2L - J-VOLT
COOLING - MSAV NO BYPASS -OR- VAV - 4 COMPRESSORS, 6 CONDENSER FANS

Voltage: 575V/3~/60Hz (J)
Supersedes: N/A Form No: 538444-01 Rev: 0



REV	EC NO.	DATE	BY	APVD	REVISION NOTE
---	CN-012015	04-30-2024	DEV	JAL21	ORIGINATED AT PD&R CARROLLTON, TX

© 2019