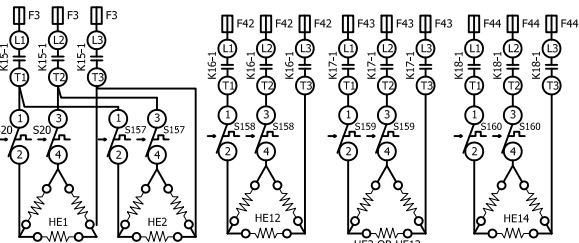
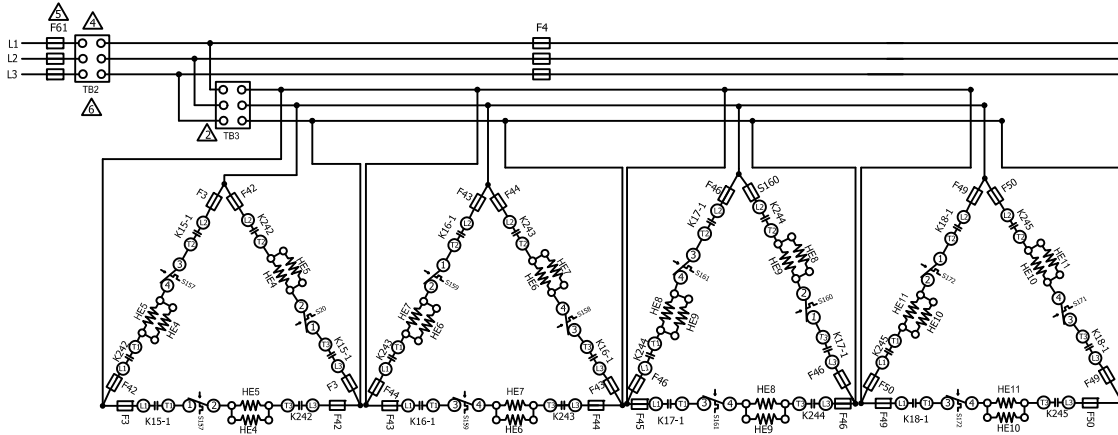
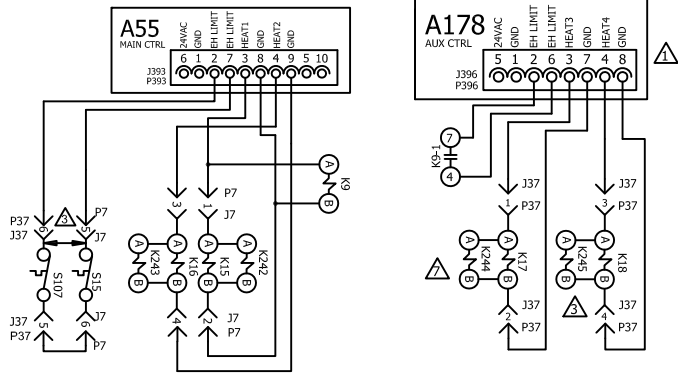


J/P	JACK/PLUG
7	ELECTRIC HEAT CONTROL
37	ELECTRIC HEAT CONTROL

KEY	DESCRIPTION
A55	CONTROL, BOARD LENNOX
A178	BOARD, COMP 3 & 4, C3 2nd STAGE HEAT
F3	FUSE, ELECTRIC HEAT
F4	FUSE, UNIT
F42	FUSE, ELECTRIC HEAT 1 A, 2A
F43	FUSE, ELECTRIC HEAT 3
F44	FUSE, ELECTRIC HEAT 4

F45	FUSE, ELECTRIC HEAT 5
F46	FUSE, ELECTRIC HEAT 6
F49	FUSE, ELECTRIC HEAT 7
F50	FUSE, ELECTRIC HEAT 8
F81	FUSE, UNIT - SCCR
HE1	ELEMENT, ELECTRIC HEAT 1
HE2	ELEMENT, ELECTRIC HEAT 2
HE3	ELEMENT, ELECTRIC HEAT 3
HE4	ELEMENT, ELECTRIC HEAT 4
HE5	ELEMENT, ELECTRIC HEAT 5
HE6	ELEMENT, ELECTRIC HEAT 6
HE7	ELEMENT, ELECTRIC HEAT 7
HE8	ELEMENT, ELECTRIC HEAT 8
HE9	ELEMENT, ELECTRIC HEAT 9
HE10	ELEMENT, ELECTRIC HEAT 10
HE11	ELEMENT, ELECTRIC HEAT 11
HE12	ELEMENT, ELECTRIC HEAT 12
HE13	ELEMENT, ELECTRIC HEAT 13
HE14	ELEMENT, ELECTRIC HEAT 14
K9,-1	RELAY, HEAT
K15,-1	CONTACTOR, ELECTRIC HEAT 1,2
K16,-1	CONTACTOR, ELECTRIC HEAT 1A,2A
K17,-1	CONTACTOR, ELECTRIC HEAT 3,4
K18,-1	CONTACTOR, ELECTRIC HEAT 5,6
K242	CONTACTOR, ELECTRIC HEAT 1
K243	CONTACTOR, ELECTRIC HEAT 2
K244	CONTACTOR, ELECTRIC HEAT 3
K245	CONTACTOR, ELECTRIC HEAT 4
S15	SWITCH, LIMIT PRIMARY ELECTRIC HEAT
S20	SWITCH, LIMIT SECONDARY ELECTRIC HEAT 1,2
S107	SWITCH, PRIMARY ELECTRIC HEAT
S157	SWITCH, LIMIT SECONDARY ELECTRIC HEAT 2
S158	SWITCH, LIMIT SECONDARY ELECTRIC HEAT 3
S159	SWITCH, LIMIT SECONDARY ELECTRIC HEAT 4
S160	SWITCH, LIMIT SECONDARY ELECTRIC HEAT 5
S161	SWITCH, LIMIT SECONDARY ELECTRIC HEAT 6
S171	SWITCH, LIMIT SECONDARY ELECTRIC HEAT 7
S172	SWITCH, LIMIT SECONDARY ELECTRIC HEAT 8
TB2	TERMINAL STRIP, UNIT
TB3	TERMINAL STRIP, ELECTRIC HEAT



- | DESIGNATION | VOLTAGE |
|-------------|---------------|
| Y | 208-230/0/0/3 |
- C UNITS 155 TO 300
 - D UNITS 240 TO 360
- ⚠ NOT USED ON 15 AND 30KW UNITS
 - ⚠ TB3 IS USED IN SOME UNITS
 - ⚠ REMOVE PLUG WHEN FIELD INSTALLING ELECTRIC HEAT
 - ⚠ TB2, CB10 OR S48 MAY BE USED ON NON SCCR UNITS
 - ⚠ F61 USED ON SCCR OPTION UNITS ONLY
 - ⚠ TB2 IS USED IN SOME SCCR OPTION UNITS ONLY
 - ⚠ ONLY USED ON 120 kW D-BOX UNITS
- ← DENOTES OPTIONAL COMPONENTS

CHASSIS	KW	HE1	HE2	HE3	HE4	HE5	HE6	HE7	HE8	HE9	HE10	HE11	HE12	HE13	HE14
C	15	7.5	7.5												
C,D	30			15	15										
C,D	45	15										7.5	15	7.5	
C,D	60	15										15	15	15	
C,D	90	15		15		15	15				15	15			
D	120			15	15	15	15	15	15	15	15	15			

2024/03
WIRING DIAGRAM
03/24

538127-02

HEATING

ELECTRIC HEAT

E1EH, EHA - 15, 30, 45, 60, 90, 120 - Y

SECTION A

Supersedes
538127-01
New Form No.
538127-02
REV 0