

NOTES	
1	RT6 REMOTE MOUNT WIRING
2	MOVE WIRES FROM 240 TO 208 TAP ON TRANSFORMER FOR 208 VOLT APPLICATIONS
3	P-VOLT UNITS - CONNECT T43-C TO K1-L2
4	W/O HUMIDITROL, W/O PHASE DETECTION - T1 CONNECTED TO J/P395-1,2,3,4
5	PHASE DETECTION - T1 CONNECTED TO J/P395-1,2. T43 CONNECTED TO J/P395-3,4
6	HUMIDITROL - T1 CONNECTED TO J/P395-1,2. T43 CONNECTED TO J/P395-3,4 & J/P394-2,5. L14 CONNECTED TO J/P394-1,4

KEY LIST		
LOCATION	COMPONENT DESCRIPTION	
AA08	A55	CONTROL BOARD, MAIN
BB,CC07	B1	COMPRESSOR 1
EE FF07	B3	MOTOR, BLOWER
DD07	B4	MOTOR, OUTDOOR FAN 1
GG08	B10	MOTOR, EXHAUST FAN 1
DD06	C1	CAPACITOR, OUTDOOR FAN 1
GG06	C5	CAPACITOR, COMPRESSOR
CC04,GG05	K65	RELAY, EXHAUST FAN 1
BB08,FF04	K191	RELAY, CRANKCASE HEATER 1
FF04	L1	VALVE, REVERSING 1
FF04	L14	VALVE, SOLENOID, REHEAT COIL 1
EE01	RT6	SENSOR, A65 DISCHARGE (IMC)
CC01	RT17	SENSOR, OUTSIDE AIR TEMP
EE02	RT46	SENSOR, SAT. SUCT TEMP., COMP 1
BB01	RT48	SENSOR, SAT. LIQUID TEMP., COMP 1
AA02	S4	LIMIT, HI PRESS. SWITCH, COMP 1
AA02	S11	SWITCH, LOW PRESS., LOW AMBIENT
AA01	S87	SWITCH, LOW PRESS., COMP 1
DD04	T1	TRANSFORMER, CONTROL
EE04	T43	TRANSFORMER, REHEAT

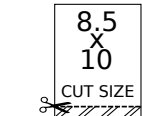
← DENOTES OPTIONAL COMPONENTS AND WIRING

WARNING
DISCONNECT ALL POWER BEFORE SERVICING.
ELECTRIC SHOCK HAZARD, CAN CAUSE INJURY OR DEATH. UNIT MUST BE GROUNDED IN ACCORDANCE WITH NATIONAL AND LOCAL CODES.
FOR USE WITH COPPER CONDUCTORS ONLY. REFER TO UNIT RATING PLATE FOR MINIMUM CIRCUIT AMPACITY AND MAXIMUM OVERCURRENT PROTECTION SIZE.
IF ANY WIRE IN THIS APPLIANCE IS REPLACED, IT MUST BE REPLACED WITH WIRE OF LIKE SIZE, RATING AND INSULATION THICKNESS.

HEATING	COOLING	COOLING	ACCS	ACCS
SECTION A	SECTION B	SECTION B5	SECTION C	SECTION D

WIRING DIAGRAM FLOW

10 Model: LCX, LHX 048 - 072H P, Y AND G VOLT COOLING - DIRECT DRIVE BLOWER
Voltage: 208-240V/1~/60Hz, 208-240V/460V/3~/60Hz
Supersedes: XXXXXX-XX Form No: 538411-01 Rev: 000



REV	EC NO.	DATE	BY	APVD	REVISION NOTE
000	CN-012554F	01/22/2024	RXJ	MCF	ORIGINATED AT PD&R CARROLLTON, TX



538411-01

01

02

03

04

05

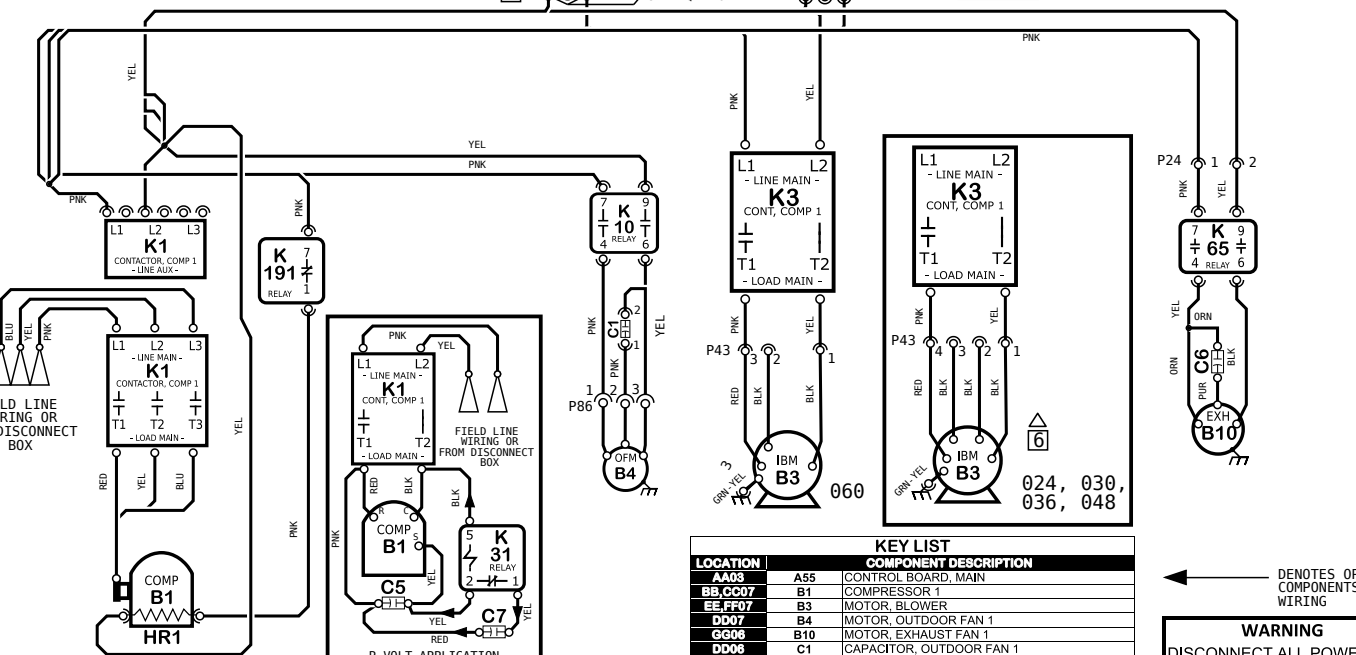
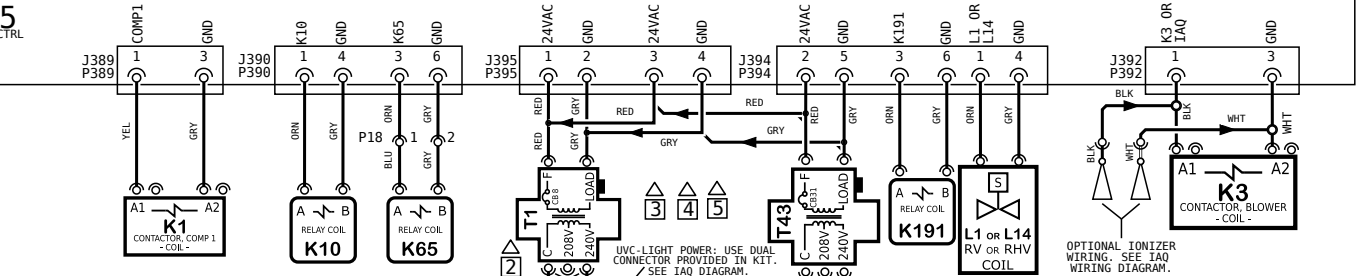
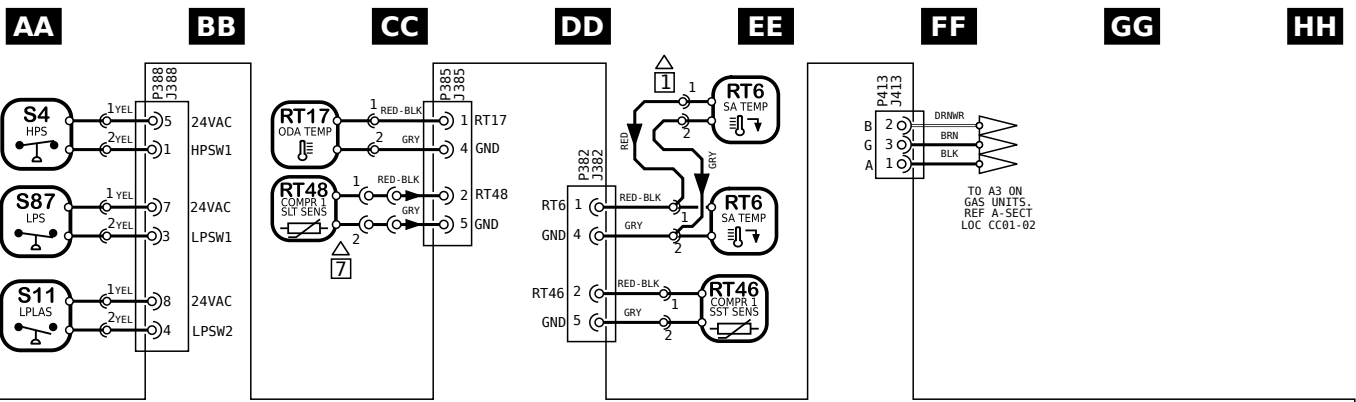
06

07

08

09

10



NOTES	
1	RT6 REMOTE MOUNT WIRING
2	MOVE WIRES FROM 240 TO 208 TAP ON TRANSFORMER FOR 208 VOLT APPLICATIONS
3	P-VOLT UNITS - CONNECT T43-C TO K1-L2
4	W/O HUMIDITROL, W/O PHASE DETECTION - T1 CONNECTED TO J/P395-1,2,3,4
5	PHASE DETECTION - T1 CONNECTED TO J/P395-1,2. T43 CONNECTED TO J/P395-3,4
6	HUMIDITROL - T1 CONNECTED TO J/P395-1,2. T43 CONNECTED TO J/P395-3,4 & J/P394-2,5. L14 CONNECTED TO J/P394-1,4

KEY LIST		
LOCATION	COMPONENT	DESCRIPTION
AA08	A55	CONTROL BOARD, MAIN
BB,CC07	B1	COMPRESSOR 1
EE FF07	B3	MOTOR, BLOWER
DD07	B4	MOTOR, OUTDOOR FAN 1
GG08	B10	MOTOR, EXHAUST FAN 1
DD06	C1	CAPACITOR, OUTDOOR FAN 1
CC07	C5	CAPACITOR, COMPRESSOR
GG06	C6	CAPACITOR, EXHAUST FAN 1
CC08	C7	CAPACITOR, COMPRESSOR HARD START
BB07	HR1	HEATER, COMPRESSOR 1
AA04, BB05,08	K1	CONTACTOR, COMPRESSOR 1
EE05, HH04	K3	CONTACTOR, BLOWER
CC07	K31	RELAY, HARD START KIT
BB04, FF05	K37	RELAY, BLOWER
BB04, DD05	K10	RELAY, OUTDOOR FAN 1
CC04, GG05	K65	RELAY, EXHAUST FAN 1
BB08, FF04	K191	RELAY, CRANKCASE HEATER 1
FF04	L1	VALVE, REVERSING 1
FF04	L14	VALVE, SOLENOID, REHEAT COIL 1
EE01	RT6	SENSOR, A65 DISCHARGE (IMC)
CC01	RT17	SENSOR, OUTSIDE AIR TEMP
EE02	RT46	SENSOR, SAT. SUCT TEMP., COMP 1
BB01	RT48	SENSOR, SAT. LIQUID TEMP., COMP 1
AA01	S4	LIMIT, HI PRESS. SWITCH, COMP 1
AA02	S11	SWITCH, LOW PRESS., LOW AMBIENT
AA01	S87	SWITCH, LOW PRESS., COMP 1
DD04	T1	TRANSFORMER, CONTROL
EE04	T43	TRANSFORMER, REHEAT

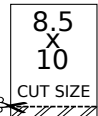
← DENOTES OPTIONAL COMPONENTS AND WIRING

WARNING
DISCONNECT ALL POWER BEFORE SERVICING.
ELECTRIC SHOCK HAZARD, CAN CAUSE INJURY OR DEATH. UNIT MUST BE GROUNDED IN ACCORDANCE WITH NATIONAL AND LOCAL CODES.
FOR USE WITH COPPER CONDUCTORS ONLY. REFER TO UNIT RATING PLATE FOR MINIMUM CIRCUIT AMPACITY AND MAXIMUM OVERCURRENT PROTECTION SIZE.
IF ANY WIRE IN THIS APPLIANCE IS REPLACED, IT MUST BE REPLACED WITH WIRE OF LIKE SIZE, RATING AND INSULATION THICKNESS.

Model:	LCX, LHX 048 - 072H P, Y AND G VOLT COOLING - DIRECT DRIVE BLOWER
Voltage:	208-240V/1~/60Hz, 208-240V/460V/3~/60Hz
Supersedes:	XXXXXX-XX Form No: 538411-01 Rev: 000

HEATING	COOLING	COOLING	ACCS	ACCS
SECTION A	SECTION B	SECTION B5	SECTION C	SECTION D

WIRING DIAGRAM FLOW



REV	EC NO.	DATE	BY	APVD	REVISION NOTE
000	CN-012554F	01/22/2024	RXJ	MCF	ORIGINATED AT PD&R CARROLLTON, TX