



538209-01

01

02

03

04

05

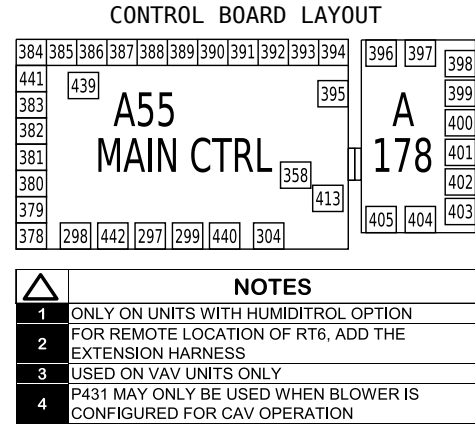
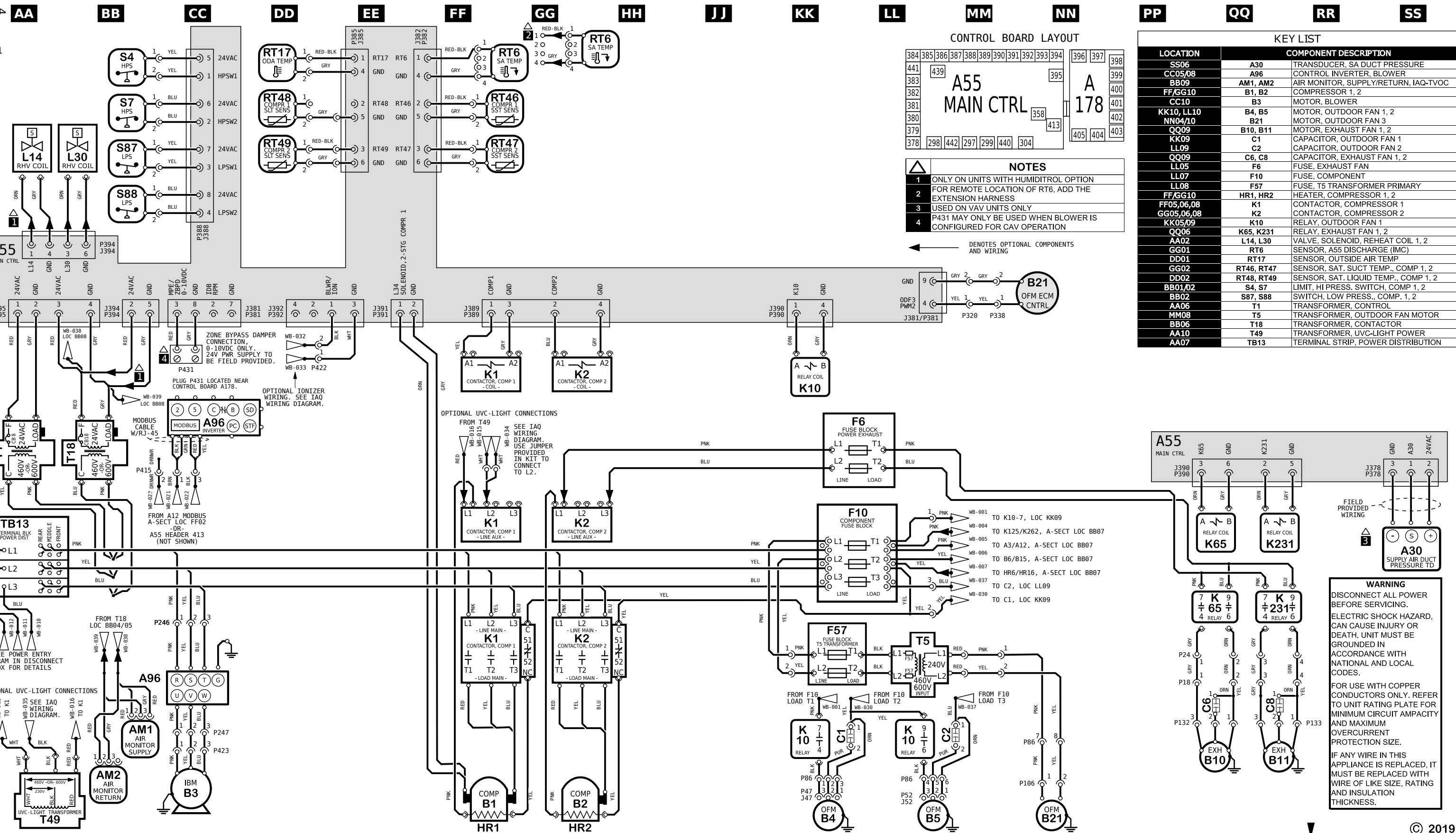
06

07

08

09

10



KEY LIST		
LOCATION	COMPONENT DESCRIPTION	
SS06	A30	TRANSDUCER, SA DUCT PRESSURE
CC05/08	A96	CONTROL INVERTER, BLOWER
BB09	AM1, AM2	AIR MONITOR, SUPPLY/RETURN, IAQ-TVOC
FF/AG10	B1, B2	COMPRESSOR 1, 2
CC10	B3	MOTOR, BLOWER
KK10, LL10 NN04/10	B4, B5	MOTOR, OUTDOOR FAN 1, 2
QQ09	B10, B11	MOTOR, EXHAUST FAN 1, 2
KK09	C1	CAPACITOR, OUTDOOR FAN 1
LL09	C2	CAPACITOR, OUTDOOR FAN 2
QQ09	C6, C8	CAPACITOR, EXHAUST FAN 1, 2
LL05	F6	FUSE, EXHAUST FAN
LL07	F10	FUSE, COMPONENT
LL08	F57	FUSE, T5 TRANSFORMER PRIMARY
FF/AG10	HR1, HR2	HEATER, COMPRESSOR 1, 2
FF05,06,08 GG05,06,08	K1	CONTACTOR, COMPRESSOR 1
	K2	CONTACTOR, COMPRESSOR 2
KK05/09	K10	RELAY, OUTDOOR FAN 1
QQ06	K65, K231	RELAY, EXHAUST FAN 1, 2
AA02	L14, L30	VALVE, SOLENOID, REHEAT COIL 1, 2
GG01	RT6	SENSOR, A55 DISCHARGE (IMC)
DD01	RT17	SENSOR, OUTSIDE AIR TEMP
GG02	RT46, RT47	SENSOR, SAT. SUCT TEMP., COMP 1, 2
DD02	RT48, RT49	SENSOR, SAT. LIQUID TEMP., COMP 1, 2
BB01/02	S4, S7	LIMIT, HI PRESS. SWITCH, COMP 1, 2
BB02	S87, S88	SWITCH, LOW PRESS., COMP. 1, 2
AA06	T1	TRANSFORMER, CONTROL
MM08	T5	TRANSFORMER, OUTDOOR FAN MOTOR
BB06	T18	TRANSFORMER, CONTACTOR
AA10	T49	TRANSFORMER, UVC-LIGHT POWER
AA07	TB13	TERMINAL STRIP, POWER DISTRIBUTION

WARNING

DISCONNECT ALL POWER BEFORE SERVICING.

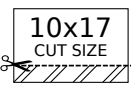
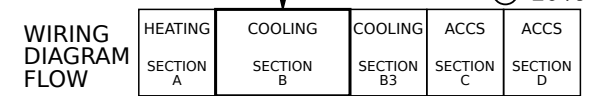
ELECTRIC SHOCK HAZARD, CAN CAUSE INJURY OR DEATH. UNIT MUST BE GROUNDED IN ACCORDANCE WITH NATIONAL AND LOCAL CODES.

FOR USE WITH COPPER CONDUCTORS ONLY. REFER TO UNIT RATING PLATE FOR MINIMUM CIRCUIT AMPACITY AND MAXIMUM OVERCURRENT PROTECTION SIZE.

IF ANY WIRE IN THIS APPLIANCE IS REPLACED, IT MUST BE REPLACED WITH WIRE OF LIKE SIZE, RATING AND INSULATION THICKNESS.

Model: LGT, LCT 156H - G, J-VOLT
COOLING - MSAV NO BYPASS -OR- VAV - 2 COMPRESSORS 3 CONDENSER FANS

Voltage: 460V/3~60Hz (G), 575V/3~60Hz (J)
Supersedes: N/A Form No: 538209-01 Rev: 4



REV	EC NO.	DATE	BY	APVD	REVISION NOTE
---	CN-010356	06-14-2022	MXR6	JAL21	ORIGINATED AT PD&R CARROLLTON, TX
003	CN-010356P	11-01-2022	MXR6	JAL21	A) CHANGED CONTROL BOARD LAYOUT PICTORIAL TO INCLUDE A178.
004	CN-012015A	04-10-2024	MXR6	JAL21	UPDATED GND SYMBOLS ON MOTORS AND INVERTER

© 2019

538209-01
01

02

03

04

05

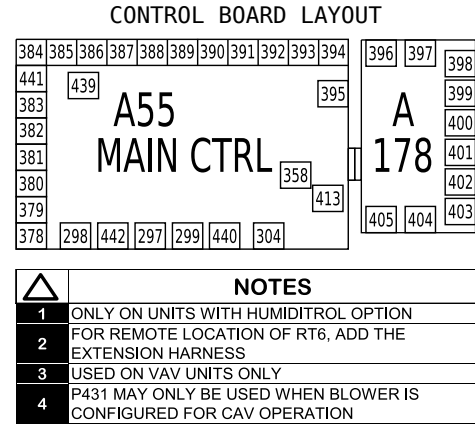
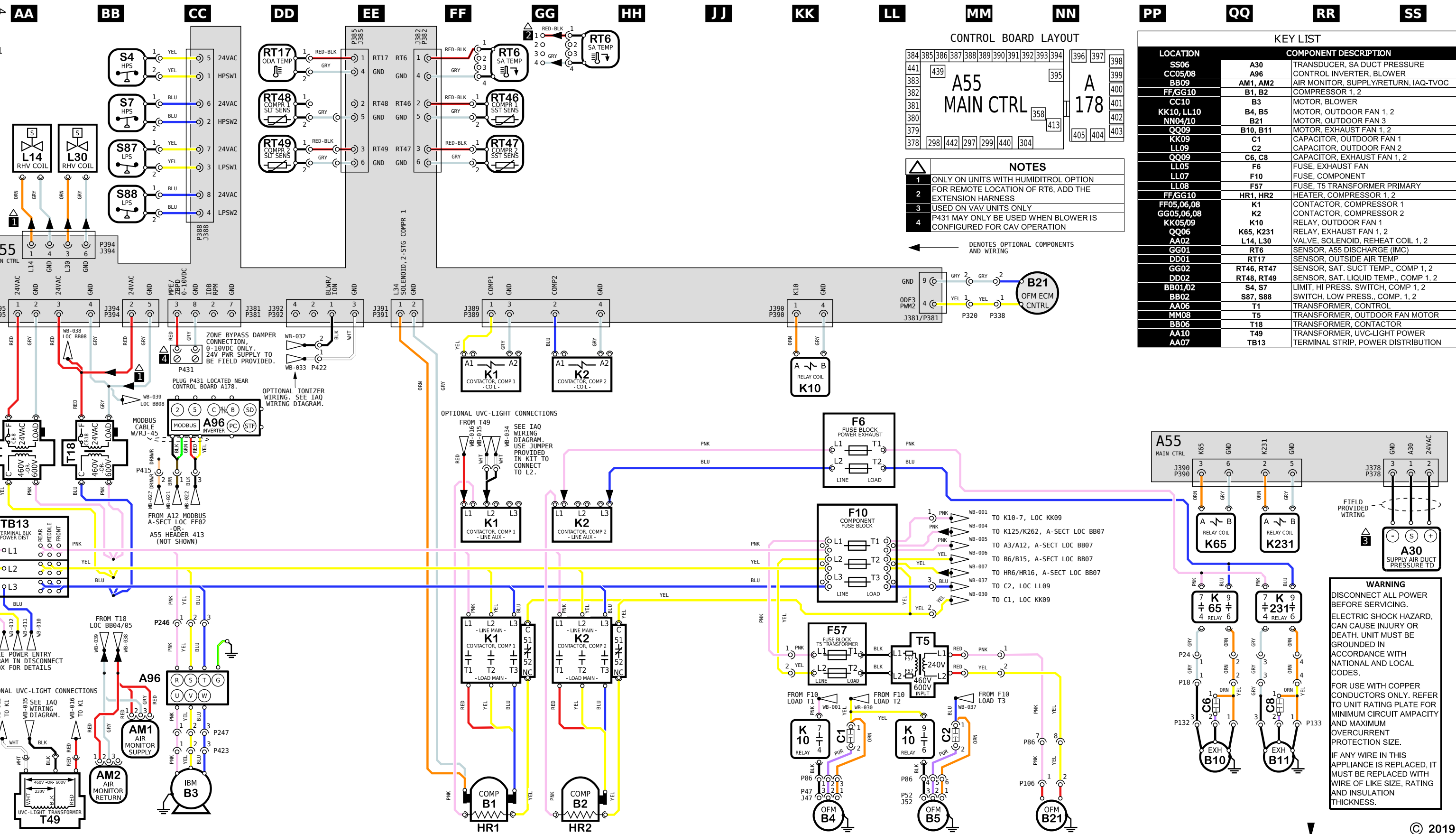
06

07

08

09

10



- NOTES**
- 1 ONLY ON UNITS WITH HUMIDITROL OPTION
 - 2 FOR REMOTE LOCATION OF RT6, ADD THE EXTENSION HARNESS
 - 3 USED ON VAV UNITS ONLY
 - 4 P431 MAY ONLY BE USED WHEN BLOWER IS CONFIGURED FOR CAV OPERATION

← DENOTES OPTIONAL COMPONENTS AND WIRING

LOCATION	COMPONENT DESCRIPTION
SS06	A30 TRANSDUCER, SA DUCT PRESSURE
CC05/08	A96 CONTROL INVERTER, BLOWER
BB09	AM1, AM2 AIR MONITOR, SUPPLY/RETURN, IAQ-TVOC
FF/AG10	B1, B2 COMPRESSOR 1, 2
CC10	B3 MOTOR, BLOWER
KK10, LL10 NN04/10	B4, B5 MOTOR, OUTDOOR FAN 1, 2
QQ09	B10, B11 MOTOR, EXHAUST FAN 1, 2
KK09 LL09	C1 CAPACITOR, OUTDOOR FAN 1
QQ09	C2 CAPACITOR, OUTDOOR FAN 2
LL05	C6, C8 CAPACITOR, EXHAUST FAN 1, 2
LL07	F6 FUSE, EXHAUST FAN
LL08	F10 FUSE, COMPONENT
FF/AG10	HR1, HR2 HEATER, COMPRESSOR 1, 2
FF05,06,08 GG05,06,08	K1 CONTACTOR, COMPRESSOR 1
KK05/09	K2 CONTACTOR, COMPRESSOR 2
QQ06	K65, K231 RELAY, EXHAUST FAN 1, 2
AA02	L14, L30 VALVE, SOLENOID, REHEAT COIL 1, 2
GG01	RT6 SENSOR, A55 DISCHARGE (IMC)
DD01	RT17 SENSOR, OUTSIDE AIR TEMP
GG02	RT46, RT47 SENSOR, SAT. SUCT TEMP., COMP 1, 2
DD02	RT48, RT49 SENSOR, SAT. LIQUID TEMP., COMP 1, 2
BB01/02	S4, S7 LIMIT, HI PRESS. SWITCH, COMP 1, 2
BB02	S87, S88 SWITCH, LOW PRESS., COMP. 1, 2
AA06	T1 TRANSFORMER, CONTROL
MM08	T5 TRANSFORMER, OUTDOOR FAN MOTOR
BB06	T18 TRANSFORMER, CONTACTOR
AA10	T49 TRANSFORMER, UVC-LIGHT POWER
AA07	TB13 TERMINAL STRIP, POWER DISTRIBUTION

WARNING
DISCONNECT ALL POWER BEFORE SERVICING.
ELECTRIC SHOCK HAZARD, CAN CAUSE INJURY OR DEATH. UNIT MUST BE GROUNDED IN ACCORDANCE WITH NATIONAL AND LOCAL CODES.
FOR USE WITH COPPER CONDUCTORS ONLY. REFER TO UNIT RATING PLATE FOR MINIMUM CIRCUIT AMPACITY AND MAXIMUM OVERCURRENT PROTECTION SIZE.
IF ANY WIRE IN THIS APPLIANCE IS REPLACED, IT MUST BE REPLACED WITH WIRE OF LIKE SIZE, RATING AND INSULATION THICKNESS.

Model: LGT, LCT 156H - G, J-VOLT
COOLING - MSAV NO BYPASS -OR- VAV - 2 COMPRESSORS 3 CONDENSER FANS

Voltage: 460V/3~/60Hz (G), 575V/3~/60Hz (J)
Supersedes: N/A Form No: 538209-01 Rev: 4

© 2019

WIRING DIAGRAM FLOW

HEATING SECTION A	COOLING SECTION B	COOLING SECTION B3	ACCS SECTION C	ACCS SECTION D
-------------------	-------------------	--------------------	----------------	----------------

10x17 CUT SIZE

REV	EC NO.	DATE	BY	APVD	REVISION NOTE
---	CN-010356	06-14-2022	MXR6	JAL21	ORIGINATED AT PD&R CARROLLTON, TX
003	CN-010356P	11-01-2022	MXR6	JAL21	A) CHANGED CONTROL BOARD LAYOUT PICTORIAL TO INCLUDE A178.
004	CN-012015A	04-10-2024	MXR6	JAL21	UPDATED GND SYMBOLS ON MOTORS AND INVERTER