



538355-01

01

02

03

04

05

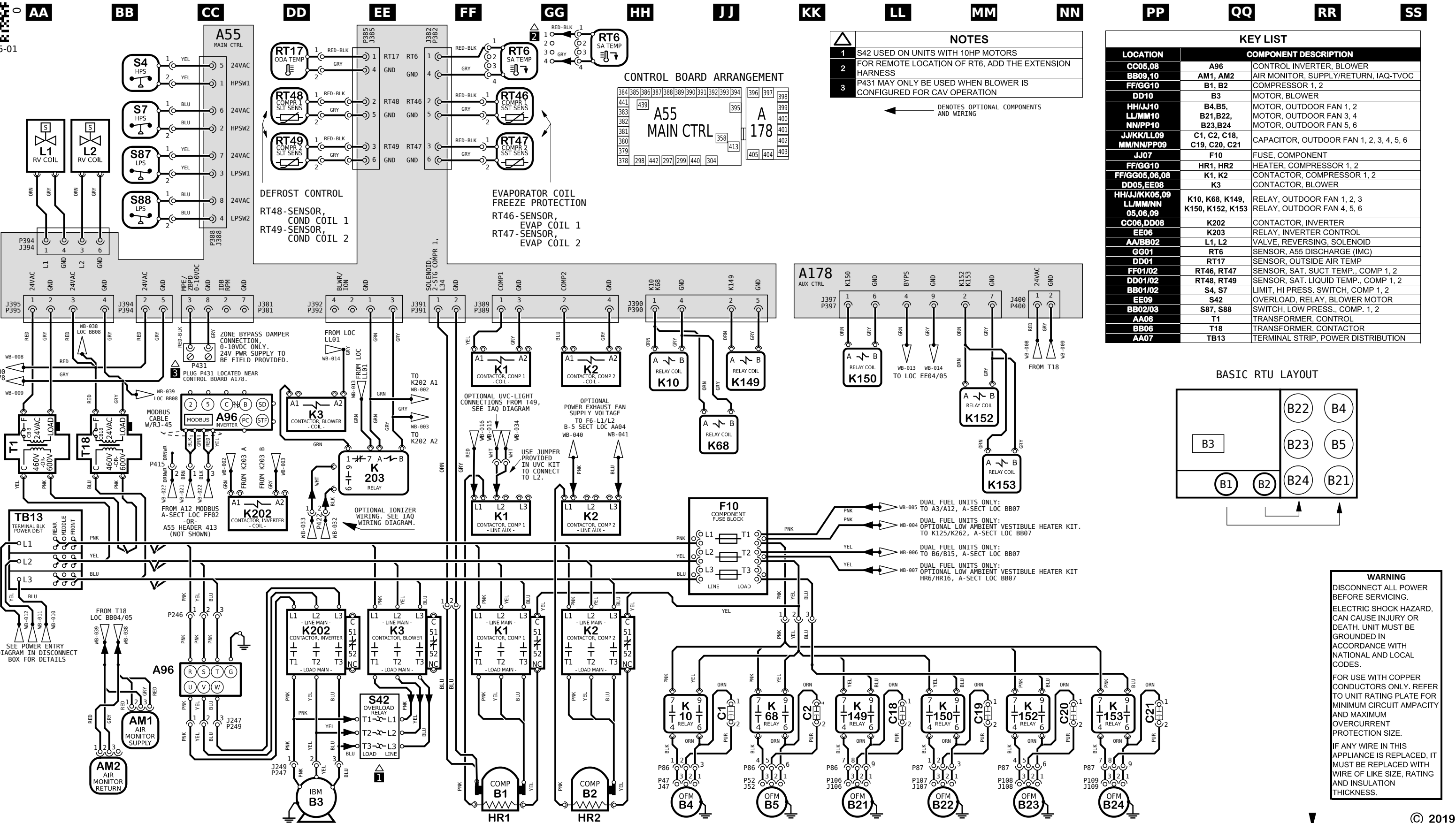
06

07

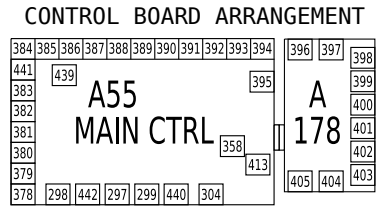
08

09

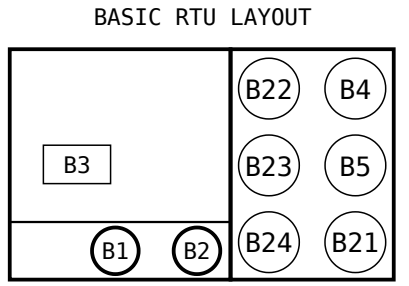
10



NOTES	
1	S42 USED ON UNITS WITH 10HP MOTORS
2	FOR REMOTE LOCATION OF RT6, ADD THE EXTENSION HARNESS
3	P431 MAY ONLY BE USED WHEN BLOWER IS CONFIGURED FOR CAV OPERATION



KEY LIST	
LOCATION	COMPONENT DESCRIPTION
CC05,08	A96 CONTROL INVERTER, BLOWER
BB09,10	AM1, AM2 AIR MONITOR, SUPPLY/RETURN, IAQ-TVOC
FF/IG10	B1, B2 COMPRESSOR 1, 2
DD10	B3 MOTOR, BLOWER
HH/JJ10	B4,B5 MOTOR, OUTDOOR FAN 1, 2
LL/MM10	B21,B22, MOTOR, OUTDOOR FAN 3, 4
NN/PP10	B23,B24 MOTOR, OUTDOOR FAN 5, 6
JJ/KK/LL09	C1, C2, C18, C19, C20, C21 CAPACITOR, OUTDOOR FAN 1, 2, 3, 4, 5, 6
MM/NN/PP09	F10 FUSE, COMPONENT
JJ07	FF/FF10 HR1, HR2 HEATER, COMPRESSOR 1, 2
FF/FF10	FF/FF10 K1, K2 CONTACTOR, COMPRESSOR 1, 2
DD05,EE08	K3 CONTACTOR, BLOWER
HH/JJ/KK05,09	LL/MM/NN 05,06,09 K10, K68, K149, K150, K152, K153 RELAY, OUTDOOR FAN 1, 2, 3, 4, 5, 6
CC06,DD08	K202 CONTACTOR, INVERTER
EE06	K203 RELAY, INVERTER CONTROL
AA/BB02	L1, L2 VALVE, REVERSING, SOLENOID
GG01	RT6 SENSOR, A55 DISCHARGE (IMC)
DD01	RT17 SENSOR, OUTSIDE AIR TEMP
FF01/02	RT46, RT47 SENSOR, SAT. SUCT TEMP., COMP 1, 2
DD01/02	RT48, RT49 SENSOR, SAT. LIQUID TEMP., COMP 1, 2
BB01/02	S4, S7 LIMIT, HI PRESS. SWITCH, COMP 1, 2
EE09	S42 OVERLOAD, RELAY, BLOWER MOTOR
BB02/03	S87, S88 SWITCH, LOW PRESS., COMP. 1, 2
AA06	T1 TRANSFORMER, CONTROL
BB06	T18 TRANSFORMER, CONTACTOR
AA07	TB13 TERMINAL STRIP, POWER DISTRIBUTION



WARNING

DISCONNECT ALL POWER BEFORE SERVICING.

ELECTRIC SHOCK HAZARD, CAN CAUSE INJURY OR DEATH. UNIT MUST BE GROUNDED IN ACCORDANCE WITH NATIONAL AND LOCAL CODES.

FOR USE WITH COPPER CONDUCTORS ONLY. REFER TO UNIT RATING PLATE FOR MINIMUM CIRCUIT AMPACITY AND MAXIMUM OVERCURRENT PROTECTION SIZE.

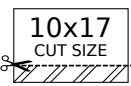
IF ANY WIRE IN THIS APPLIANCE IS REPLACED, IT MUST BE REPLACED WITH WIRE OF LIKE SIZE, RATING AND INSULATION THICKNESS.

Model: LHT, LDT 302 - G, J-VOLT
COOLING - MSAV - WITH BYPASS

Voltage: 460V/3~60Hz (G), 575V/3~60Hz (J)
Supersedes: N/A Form No: 538355-01 Rev: 0

© 2019

HEATING SECTION A	COOLING SECTION B	COOLING SECTION B3/5	ACCS SECTION C	ACCS SECTION D
WIRING DIAGRAM FLOW				



REV	EC NO.	DATE	BY	APVD	REVISION NOTE
---	CN-012295C	04-02-2024	RV	MXT5	ORIGINATED AT PD&R CARROLLTON, TX



538355-01

01

02

03

04

05

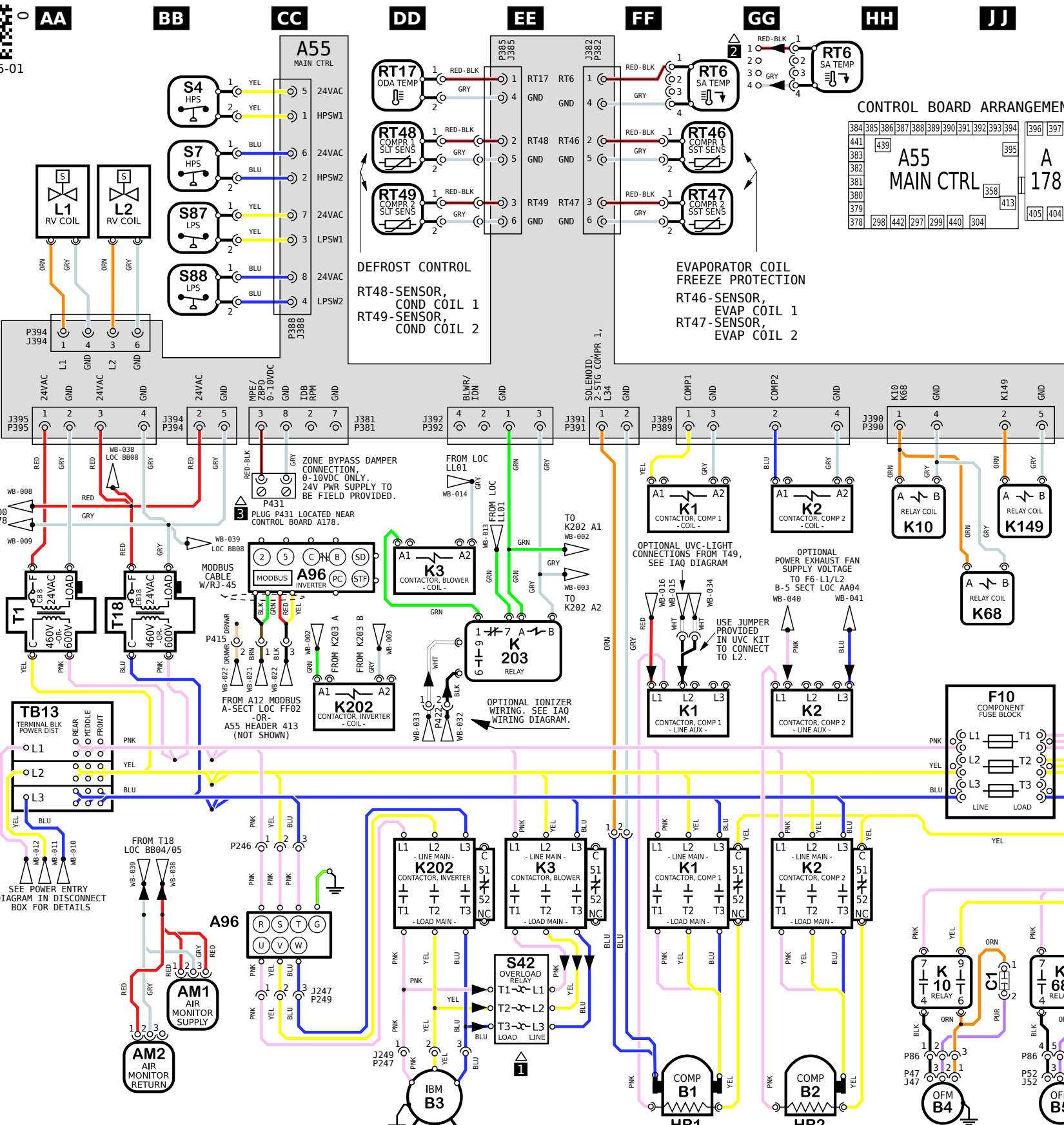
06

07

08

09

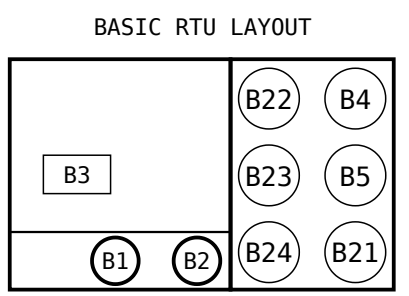
10



NOTES	
1	S42 USED ON UNITS WITH 10HP MOTORS
2	FOR REMOTE LOCATION OF RT6, ADD THE EXTENSION HARNESS
3	P431 MAY ONLY BE USED WHEN BLOWER IS CONFIGURED FOR CAV OPERATION

← DENOTES OPTIONAL COMPONENTS AND WIRING

KEY LIST	
LOCATION	COMPONENT DESCRIPTION
CC05,08	A96 CONTROL INVERTER, BLOWER
BB09,10	AM1, AM2 AIR MONITOR, SUPPLY/RETURN, IAQ-TVOC
FF/IG10	B1, B2 COMPRESSOR 1, 2
DD10	B3 MOTOR, BLOWER
HH/JJ10	B4,B5 MOTOR, OUTDOOR FAN 1, 2
LL/MM10	B21,B22, MOTOR, OUTDOOR FAN 3, 4
NN/PP10	B23,B24 MOTOR, OUTDOOR FAN 5, 6
JJ/KK/LL09	C1, C2, C18, C19, C20, C21 CAPACITOR, OUTDOOR FAN 1, 2, 3, 4, 5, 6
MM/NN/PP09	F10 FUSE, COMPONENT
JJ07	FF/IG10 HR1, HR2 HEATER, COMPRESSOR 1, 2
FF/IG05,08,08	FF/IG10 K1, K2 CONTACTOR, COMPRESSOR 1, 2
DD05,EE08	DD05,EE08 K3 CONTACTOR, BLOWER
HH/JJ/KK05,09	LL/MM/NN 05,06,09 K10, K68, K149, K150, K152, K153 RELAY, OUTDOOR FAN 1, 2, 3
CC06,DD08	CC06,DD08 K202 CONTACTOR, INVERTER
EE06	EE06 K203 RELAY, INVERTER CONTROL
AA/BB02	AA/BB02 L1, L2 VALVE, REVERSING, SOLENOID
GG01	GG01 RT6 SENSOR, A55 DISCHARGE (IMC)
DD01	DD01 RT17 SENSOR, OUTSIDE AIR TEMP
FF01/02	FF01/02 RT46, RT47 SENSOR, SAT. SUCT TEMP., COMP 1, 2
DD01/02	DD01/02 RT48, RT49 SENSOR, SAT. LIQUID TEMP., COMP 1, 2
EE09	EE09 S4, S7 LIMIT, HI PRESS. SWITCH, COMP 1, 2
BB02/03	BB02/03 S87, S88 OVERLOAD, RELAY, BLOWER MOTOR
AA06	AA06 T1 TRANSFORMER, CONTROL
BB06	BB06 T18 TRANSFORMER, CONTACTOR
AA07	AA07 TB13 TERMINAL STRIP, POWER DISTRIBUTION



DUAL FUEL UNITS ONLY: TO A3/A12, A-SECT LOC BB07

DUAL FUEL UNITS ONLY: OPTIONAL LOW AMBIENT VESTIBULE HEATER KIT. TO K125/K262, A-SECT LOC BB07

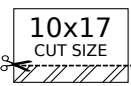
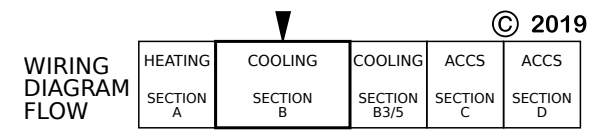
DUAL FUEL UNITS ONLY: TO B6/B15, A-SECT LOC BB07

DUAL FUEL UNITS ONLY: OPTIONAL LOW AMBIENT VESTIBULE HEATER KIT HR6/HR16, A-SECT LOC BB07

WARNING
DISCONNECT ALL POWER BEFORE SERVICING.
ELECTRIC SHOCK HAZARD, CAN CAUSE INJURY OR DEATH. UNIT MUST BE GROUNDED IN ACCORDANCE WITH NATIONAL AND LOCAL CODES.
FOR USE WITH COPPER CONDUCTORS ONLY. REFER TO UNIT RATING PLATE FOR MINIMUM CIRCUIT AMPACITY AND MAXIMUM OVERCURRENT PROTECTION SIZE.
IF ANY WIRE IN THIS APPLIANCE IS REPLACED, IT MUST BE REPLACED WITH WIRE OF LIKE SIZE, RATING AND INSULATION THICKNESS.

Model: LHT, LDT 302 - G, J-VOLT
COOLING - MSAV - WITH BYPASS

Voltage: 460V/3~60Hz (G), 575V/3~60Hz (J)
Supersedes: N/A Form No: 538355-01 Rev: 0



REV	EC NO.	DATE	BY	APVD	REVISION NOTE
---	CN-012295C	04-02-2024	RV	MXT5	ORIGINATED AT PD&R CARROLLTON, TX

© 2019