

Job: _____
 Location: _____
 Schedule No.: _____
 System Designation: _____

Engineer: _____
 Architect: _____
 Location: _____
 Date: _____

Heat Pump Outdoor Unit

For: Reference Approval Review Construction

FEATURES

- Two-pipe heat pump
- High efficiency twin rotary compressor
- Intelligent soft start
- Built-in base pan heater
- Power meter interface

WARRANTY

- Compressor - 10-year limited warranty
 - All other components - 10-year limited warranty
- *See warranty for details

SPECIFICATIONS

PERFORMANCE

Cooling Capacity ¹ (Btu/h)	Nominal	57,500
	Rated ²	57,500
EER2	Ducted	8.9
	Non-Ducted	9.5
SEER2	Ducted	17.2
	Non-Ducted	18.8
Heating Capacity ¹ (Btu/h)	60,000	
	HSPF2	Ducted
	Non-Ducted	9.0
COP2 at 5°F (W/W)	Ducted	1.7
	Non-Ducted	1.7
Operating Range (°F)	Heating	-13°F to 86°F
	Cooling	5°F to 122°F

ELECTRICAL DATA

Power Supply (Volts/Phase/Hertz)	208-230/1/60
Minimum Circuit Ampacity (A)	35
Maximum Overcurrent Protection (A)	40
Compressor RLA (A)	26.4
Number of Compressors	1
Outdoor Fan Power Output (W)	(2) 90 + 90
Outdoor Fan FLA (A)	(2) 0.9 + 0.88

GENERAL DATA

Connection Ratio	50% to 130%
Maximum Number of Indoor Units	9
Sound Pressure Level (dBA) Heating - High/Low	62/44
Sound Pressure Level (dBA) Cooling - High/Low	60/44
Refrigerant Type	R-410A
Factory Refrigerant Charge (each unit)	8 lbs. 10 oz.

NOTES

1. Cooling and Heating capacity data is rated at the following conditions:
 Cooling: 80°FDB / 67°FWB Indoor, 95°FDB Outdoor
 Heating: 70°FDB Indoor, 47°FDB / 43°FWB Outdoor
2. Complies with AHRI 210/240 testing standards
3. Operating Voltage Range 191V to 247V



DIMENSIONS

Unit	Height	52-1/4
Dimensions (in)	Width	36
	Depth	13-1/16

Main System Piping (in)

Liquid Pipe Connection	3/8
Gas Pipe Connection	3/4
Unit Net Weight (lb)	211
Unit Shipping Weight (lb.)	233



NOTE - Due to Lennox' ongoing commitment to quality, Specifications, Ratings and Dimensions subject to change without notice and without incurring liability.

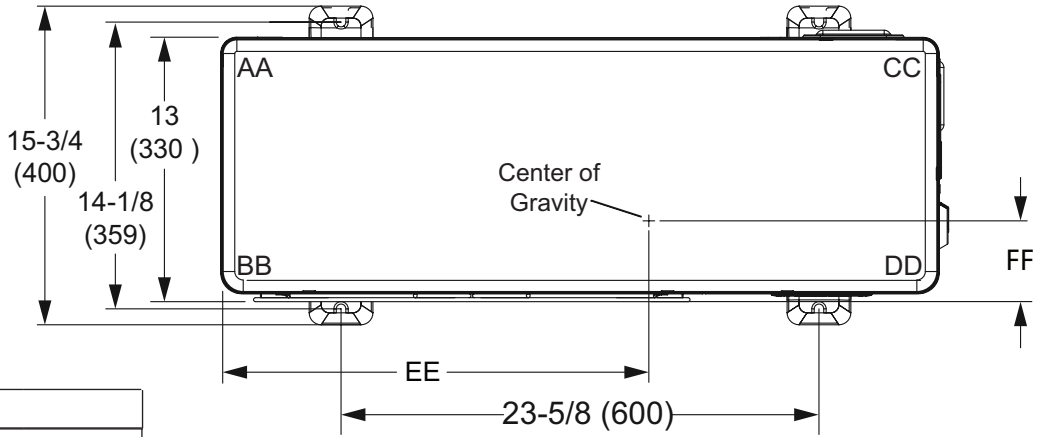
Improper installation, adjustment, alteration, service or maintenance can cause property damage or personal injury.

Installation and service must be performed by a qualified installer and servicing agency.

496002 (202306)

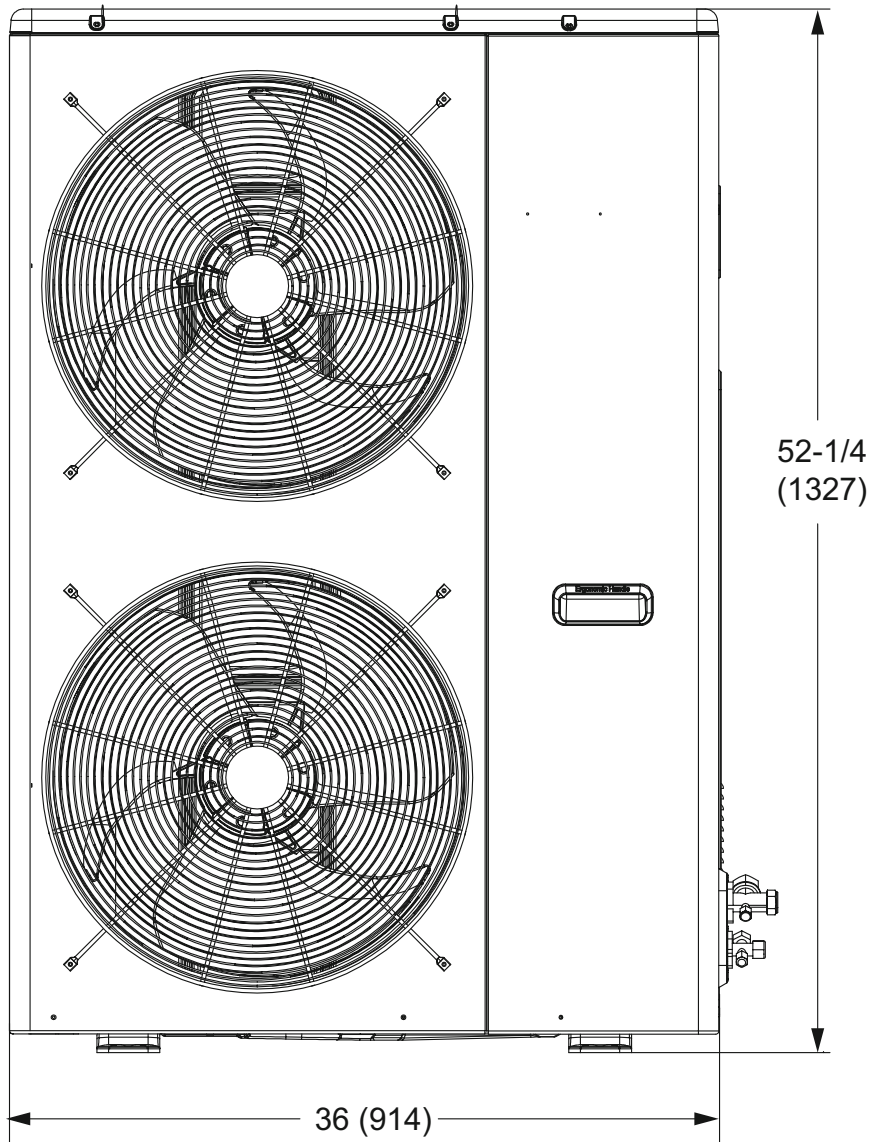
©2023 Lennox Industries Inc.

DIMENSIONAL DRAWINGS - INCHES (MM)



TOP VIEW

CORNER WEIGHTS			
AA		BB	
lbs.	kg	lbs.	kg
24	11	66	30
CC		DD	
lbs.	kg	lbs.	kg
46	21	67	31
CENTER OF GRAVITY			
EE		FF	
in.	mm	in.	mm
20	508	5-3/8	137



FRONT VIEW

NOTE - Due to Lennox' ongoing commitment to quality, Specifications, Ratings and Dimensions subject to change without notice and without incurring liability. Improper installation, adjustment, alteration, service or maintenance can cause property damage or personal injury. Installation and service must be performed by a qualified installer and servicing agency.