

← DENOTES OPTIONAL COMPONENTS AND WIRING

### KEY LIST

#### COMPONENT DESCRIPTION

<b>A55</b>	CONTROL BOARD, MAIN
<b>RT58</b>	SENSOR 1, REFR. LEAK DETECTION
<b>RT59</b>	SENSOR 2, REFR. LEAK DETECTION

#### NOTES

<b>1</b>	REFRIGERANT LEAK SENSOR 2 (RT59), MAY NOT BE PRESENT IN ALL UNITS.
----------	--

#### WARNING

DISCONNECT ALL POWER BEFORE SERVICING. ELECTRIC SHOCK HAZARD. CAN CAUSE INJURY OR DEATH. UNIT MUST BE GROUNDED IN ACCORDANCE WITH NATIONAL AND LOCAL CODES.

FOR USE WITH COPPER CONDUCTORS ONLY. REFER TO UNIT RATING PLATE FOR MINIMUM CIRCUIT AMPACITY AND MAXIMUM OVERCURRENT PROTECTION SIZE.

IF ANY WIRE IN THIS APPLIANCE IS REPLACED, IT MUST BE REPLACED WITH WIRE OF LIKE SIZE, RATING AND INSULATION THICKNESS.

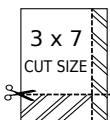
MODEL: Units w/CORE Contr.  
Refr. Leak Detection

VOLT: All  
SUPSDS: N/A

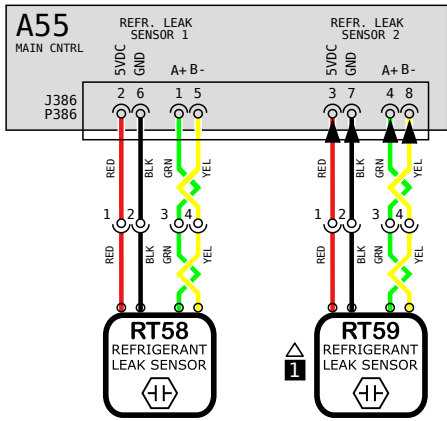
NO: 538440-01



Rev 0



REV	EC NO.	DATE	BY	APVD	REVISION NOTE
---	CN-012295C	04-03-2024	MXR6	MXT5	ORIGINATED AT PD&R CARROLLTON, TX



← DENOTES OPTIONAL COMPONENTS AND WIRING

**KEY LIST**

**COMPONENT DESCRIPTION**

<b>A55</b>	CONTROL BOARD, MAIN
<b>RT58</b>	SENSOR 1, REFR. LEAK DETECTION
<b>RT59</b>	SENSOR 2, REFR. LEAK DETECTION

<b>△</b>	<b>NOTES</b>
<b>1</b>	REFRIGERANT LEAK SENSOR 2 (RT59), MAY NOT BE PRESENT IN ALL UNITS.

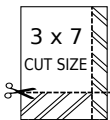
**WARNING**  
 DISCONNECT ALL POWER BEFORE SERVICING. ELECTRIC SHOCK HAZARD. CAN CAUSE INJURY OR DEATH. UNIT MUST BE GROUNDED IN ACCORDANCE WITH NATIONAL AND LOCAL CODES.  
 FOR USE WITH COPPER CONDUCTORS ONLY. REFER TO UNIT RATING PLATE FOR MINIMUM CIRCUIT AMPACITY AND MAXIMUM OVERCURRENT PROTECTION SIZE.  
 IF ANY WIRE IN THIS APPLIANCE IS REPLACED, IT MUST BE REPLACED WITH WIRE OF LIKE SIZE, RATING AND INSULATION THICKNESS.

MODEL: Units w/CORE Contr.  
 Refr. Leak Detection  
 VOLT: All  
 SUPSDS: N/A



Rev 0

NO: 538440-01



REV	EC NO.	DATE	BY	APVD	REVISION NOTE
---	CN-012295C	04-03-2024	MXR6	MXT5	ORIGINATED AT PD&R CARROLLTON, TX