



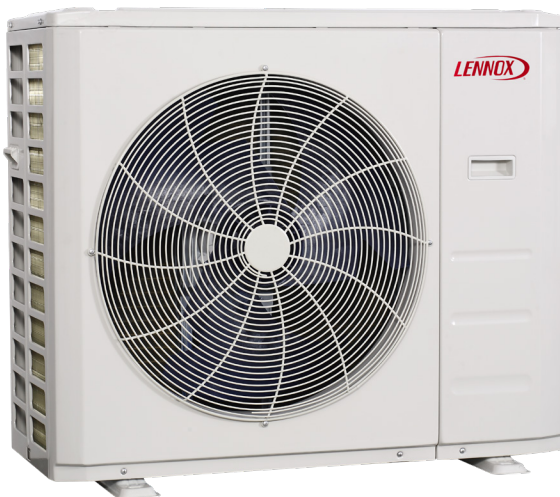
**RESIDENTIAL / COMMERCIAL
PRODUCT SPECIFICATIONS**

Bulletin No. 211036

April 2024

Supersedes all previous versions

MLB036 and 048 Heat Pump Outdoor Units



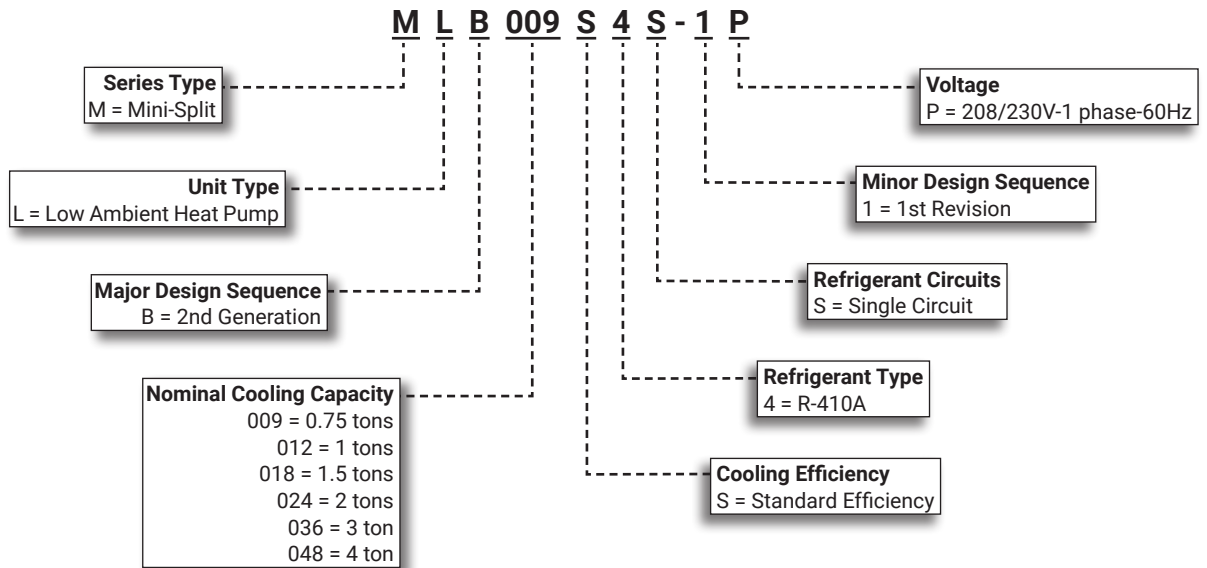
MLB009 thru 024 Heat Pump Outdoor Units



Certain models have earned the ENERGY STAR® mark by meeting strict energy efficiency guidelines set by the US EPA.

SEER2 - up to 28.1 / SEER - up to 28.1
HSPF2 up to 11.5 / HSPF - up to 13.0
0.75 to 4 Tons
Cooling Capacity - 8,800 to 48,000 Btuh
Heating Capacity - 9,800 to 53,000 Btuh

MODEL NUMBER IDENTIFICATION



CONTENTS

AHRI System Matches	12
Approvals And Warranty	4
Cooling Capacity	13
Dimensions	20
Features	4
- Indoor Units Overview	6
- Outdoor Units	4
Heating Capacity	13
Installation Clearances	23
Line Set And Elevation Guidelines	24
Model Number Identification	2
Optional Accessories - Order Separately	11
Sound Levels - Test Conditions	12
Specifications	9
- 0.75 2 Ton	9
- 3 4 Ton	10
System Components	3

SYSTEM COMPONENTS



MMDB Medium Static Ducted Indoor Unit with Wired Remote Controller (furnished)



MWMC Wall-Mounted Non-Ducted Indoor Unit with Wireless Remote (furnished)



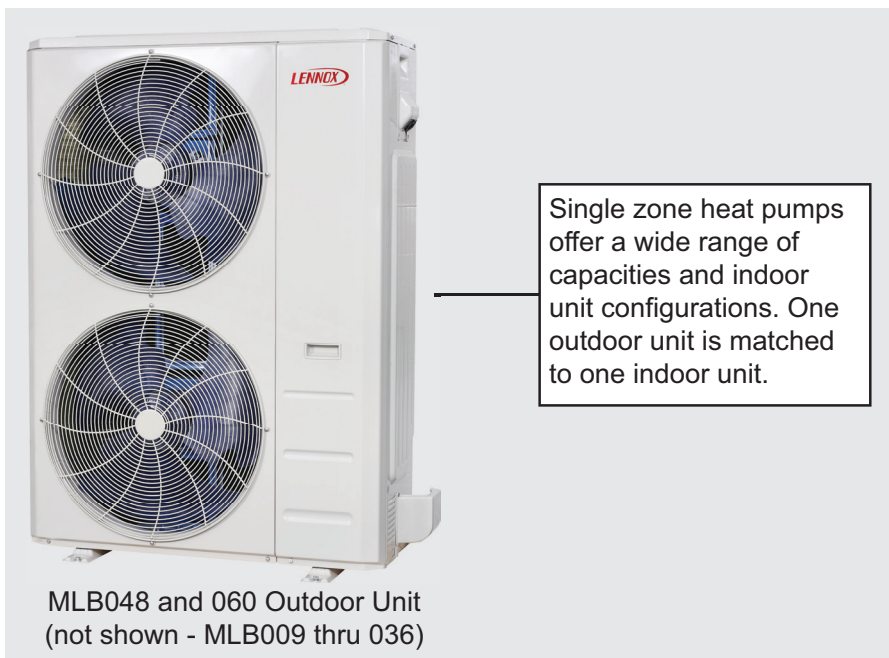
M22A/M33C Cassette Non-Ducted Indoor Unit with Wireless Remote (furnished)



MFMA Floor-Mount Console Non-Ducted Indoor Unit with Wireless Remote (furnished)



MCFA/MCFB Ceiling/Floor-Mount Non-Ducted Indoor Unit with Wireless Remote (furnished)



MLB048 and 060 Outdoor Unit (not shown - MLB009 thru 036)

Single zone heat pumps offer a wide range of capacities and indoor unit configurations. One outdoor unit is matched to one indoor unit.



MMA Multi-Position Air Handler with Wired and Wireless Remote (furnished)

APPROVALS AND WARRANTY

APPROVALS

- AHRI Standard 210/240 certified with Addenda 1 and 2
- ENERGY STAR® certified units (certain models) are designed to use less energy, help save money on utility bills, and help protect the environment
- Rated According to U.S. Department of Energy (DOE) test procedures
- Outdoor units and components UL and CEC bonded for grounding to meet safety standards for servicing
- ETL certified for the U.S. and Canada
- Meets 2014 Florida Building Code Wind Design Criteria
 - Ultimate Wind Speed – 186 miles per hour
 - Risk Categories – III and IV
 - Wind Exposures – C and D
 - Mean Roof Heights – Up to 60 feet above ground

WARRANTY

- Compressor - Limited seven years
- All other covered components
 - Limited five years in all applications
- Accessories and controls - Limited one year

NOTE - Refer to Lennox Basic Limited Warranty at www.Lennox.com for additional details.

FEATURES

APPLICATIONS

- 0.75 through 4 ton
- Single phase power supply (208/230V)
- Sound levels as low as 54.5 dBA
- Ductless mini-split systems provide a wide range of capacities and applications and provide an alternative when a ducted system is impractical or cost prohibitive
- Units shipped completely factory assembled, internally piped, and wired

NOTE - Outdoor unit is designed for outdoor location only.

NOTE - It is recommended that Medium Static Ducted Indoor Units not be installed in unconditioned spaces with temperatures above 100°F.

REFRIGERATION SYSTEM

R-410A Refrigerant

- Non-chlorine, ozone friendly
- Unit is factory pre-charged

Outdoor Coil

- Aluminum fins fitted to copper tubes
- Wire grille guard provided

Outdoor Fan

- Direct drive fan moves large air volumes uniformly through entire outdoor coil for high refrigeration capacity
- Fan guard provided

OUTDOOR UNITS

Refrigerant Line Connections, Service Valve

- Flare connection lines are located on side of unit cabinet
- Fully serviceable brass service valve prevents corrosion and provides access to refrigerant system

COMPRESSOR

Variable Frequency Rotary Compressor

- Compressor features high efficiency operation
- Balanced for reduced vibration and quiet operation
- Brushless DC motor uses powerful Neodymium magnets, which are approximately 15-20 times stronger than ferrite magnets used in conventional AC compressors

Compressor Crankcase Heater

- Protects against liquid refrigerant migration that can occur during low ambient operation

CONTROLS

DC Inverter Control

- Provides continuous operation, while adjusting capacity according to room temperature
- The accurate sensing of cooling loads prevents frequent changes in capacity and ensures efficient, economical operation

Inverter Module Protection

- Protects against differences in current, voltage and temperature
- Displays code on the indoor unit indicating a need for servicing

CONTROLS (continued)**Outdoor Unit Microprocessor**

- Electronic expansion valve control
- Automatic compressor timed-off protection (3 minutes)
- Temperature sensor
- LEDs on control display error codes and assist in troubleshooting
- 4-Way reversing valve control

Electronic Expansion Valve

- Furnished on all models

Compressor Overcurrent Protection

- Overcurrent protection can result due to any of the following:
 - Ambient temperature is too high
 - Locked rotor on the compressor
 - Outdoor air is blocked or restricted

Condenser High Temperature Protection

- Condenser high temperature can occur due to any of the following conditions:
 - High outdoor ambient
 - Outdoor fan blocked
 - Outdoor coil blocked
- The outdoor coil thermistor continuously monitors the temperature and communicates with the microprocessor
- Depending on the temperature measured, the compressor will be allowed to increase the frequency if needed to meet the load or is forced to run at the current or reduced frequency
- If the temperature becomes excessively high the compressor will be de-energized

Compressor Discharge Temperature Protection

- The compressor discharge line thermistor continuously monitors the temperature and communicates with the microprocessor
- Depending on the temperature measured, the compressor will be allowed to increase the frequency to meet the load or is forced to run at the current or reduced frequency
- If the temperature becomes excessively high, the compressor will be de-energized

Voltage Protection

- Protects unit from low or high voltage fluctuations

Terminal Strip

- Furnished for easy wiring connections

Defrost Control

- Defrost cycle is automatically enabled if there is a build-up of frost on the outdoor coil
- Outdoor fan operation is terminated during the defrost cycle
- Indoor fan changes to ultra low speed during the defrost cycle to help bring warm refrigerant back to the outdoor coil to assist during defrost operation
- Defrost LED is lit on the indoor unit panel on the front cover during a defrost cycle

Reversing Valve

- 4-way interchange reversing valve effects a rapid change in direction of refrigerant flow resulting in quick changeover from cooling to heating and vice versa
- Valve operates on pressure differential between outdoor unit and indoor unit of the system

CABINET

- Constructed of heavy gauge steel
- Tabs on unit base allow secure mounting to slab
- Condensate drain outlets furnished on unit base

NOTE - Drain must be field furnished.

- Pan heater prevents ice build-up in the bottom of the unit during heating operation
- Access cover for power and control wiring connections
- Access cover for service valves

WALL-MOUNTED INDOOR UNITS



- Low-sound, three-speed Wall Mount with LED display
- Swing louver angles to 90°
- Unit installs horizontally on a vertical wall
- Wall plate furnished for installation
- Wireless remote controller furnished

NOTE - See the MWM Product Specifications bulletin for more information.

CASSETTE INDOOR UNITS



- Cassette unit with LED display
- Low-sound
- Galvanized steel case
- Offers 360° airflow for immediate, equal distribution of wide-range cooling and heating
- 360° Airflow Panel - Allows for even, wide-range cooling and heating
- Wireless remote controller furnished

NOTE - The cassette panel must be ordered separately.

NOTE - See the M22/M33 Product Specifications bulletin for more information.

CEILING/FLOOR MOUNT INDOOR UNITS



- Low-sound, three-speed Ceiling and Floor Mount models with LED display
- Multi-blade fan distributes air vertically and horizontally with a wide angle sweeping motion
- Two installation options are available:
 1. Horizontally against the ceiling
 2. Vertically against the floor/wall
- Wireless remote controller furnished

NOTE - See the MCF Product Specifications bulletin for more information.

FLOOR MOUNT CONSOLE INDOOR UNIT



- Low-sound, three-speed Floor Mount Console model with LED display
- Multi-blade fan distributes air vertically and horizontally with a wide angle sweeping motion
- Swing louver angles to 90°
- Installed vertically against the floor/wall
- Wireless remote controller furnished

NOTE - See the MFM Product Specifications bulletin for more information.

MEDIUM STATIC DUCTED INDOOR UNITS



- Slim, compact design for limited space requirements. Installs out of sight between the drop ceiling and ceiling slab with ducted distribution to the indoor space
- Wired remote controller furnished

NOTE - See the MMD Product Specifications bulletin for more information.

MULTI-POSITION AIR HANDLER



- Constant torque blower motor
- Multi-position cabinet (upflow, downflow, horizontal)
- Completely insulated with foil faced fiberglass insulation
- Low Leakage (less than 2%) Cabinet
- Wired and wireless remote controller furnished

NOTE - See the MMA Product Specifications bulletin for more information.

OPTIONAL ACCESSORIES - ORDER SEPARATELY

OUTDOOR UNITS

Condenser Pad

- Provides permanent foundation for outdoor units
- One-piece lightweight structural foam and molded from high-density polyethylene (HDPE)
- Lightweight, easy to carry and install
- Textured finish provides a non-skid surface so outdoor unit sits securely in one place
- UV stable

Disconnects

- Positive unit disconnect
- Single door enclosure
- Fused and non-fused models available

Fuses

- 30 and 60 amp fuses available

Hail Guards

- Protects outdoor coils on all sides without inhibiting airflow or performance
- Self-tapping screws provided for installation
- Flat shape allows for outdoor units to be placed close together
- Each kit contains all required guards
- Order one hail guard kit per outdoor unit

Indoor/Outdoor Wiring Cable

- 14-gauge, 4-conductor wire
- THHN (Thermoplastic High Heat-resistant Nylon-coated) wire
- Suitable for wet or dry locations
- Rated up to 600V

Refrigerant Line Sets

- Refrigerant lines are shipped refrigeration clean
- Lines are cleaned, dried, pressurized and sealed at factory

Wall Brackets

- Heavy duty 1/8 in. thick steel brackets for supporting outdoor units
- Mount at any height to allow for easy maintenance under units
- Pre-punched holes for easy installation
- Powder coated gray finish
- Load rating 600 lbs. per pair

Whips

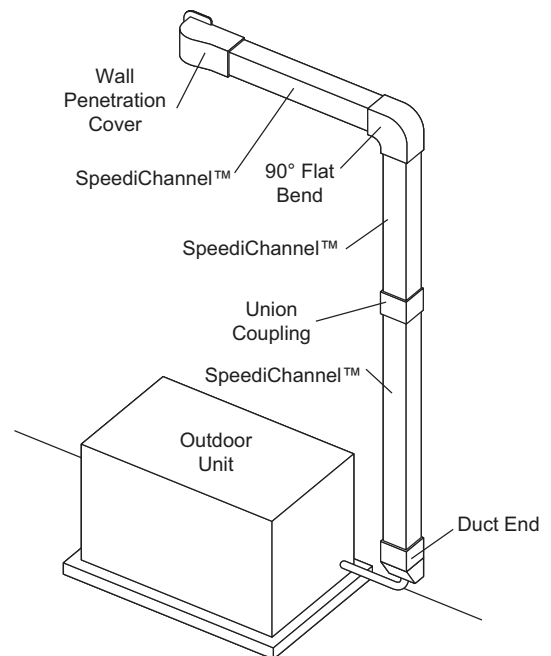
- Heavy duty electrical whips are available in 8 and 10 gauge sizes
- 6 ft. lengths
- Weatherproof metal conduit

SPEEDICHANNEL™ SYSTEM



- SpeediChannel™ is a channel system covers system line sets
- Two-part system has a base and a cover
- Base is fastened to a wall or ceiling with plastic clips (SpeediClip™) that snap into a channel already molded into the base
- Cover fits on top of the base
- Manufactured from rigid PVC, which is UL rated and resistant to UV light
- System is a natural color that closely matches typical mini-split outdoor units
- Can be painted as desired to match any wall color

Typical Application



OPTIONAL ACCESSORIES - ORDER SEPARATELY

SPEEDICHANNEL™ SYSTEM (continued)

SpeediChannel™ Starter Kit

- The starter kit includes (1) Coupling, (1) Wall Penetration, (1) Inside Elbow, (1) Long Radius Flat Bend, (10) Speediclips™, (10) 11 in. Cable Ties, and (1) SpeediChannel Instruction Booklet

Duct End

- Duct Ends are used to terminate a run of SpeediChannel™ to a small opening just large enough for the line set and condensate drain line to pass through



Flat Wall Escutcheon

- Flat Wall Escutcheons are used to cover a rough opening in a soffit, wall, or ceiling penetration



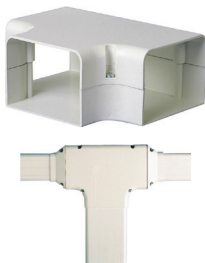
- One side of the escutcheon is flat to allow for a SpeediChannel™ to run along a wall and to penetrate through an adjacent wall or ceiling
- This is the most common type of wall penetration
- Furnished in two parts, the escutcheon easily snaps onto the SpeediChannel™

Flex Joint

- A Flex Joint is an accordion-style piece of SpeediChannel™
- The flex joint can be extremely flexible when routing a SpeediChannel™ system around an obstacle
- Each joint is 20 in. long and can be combined together for longer flex runs
- The flex joint does not require the use of a union coupling
- The flex joint slides tightly inside the SpeediChannel™ system

T-Joint

- T-Joints are used for creating a tee connection between three pieces of SpeediChannel™
- Each tee is individually packed and furnished with stainless steel screws



Union Coupling

- Union Couplings are used for joining two pieces of SpeediChannel™
- Each coupling is individually packed and furnished with stainless steel screws



Wall Penetration Cover

- Wall penetration covers are used to transition from the SpeediChannel™ system to a through wall penetration
- Wall covers are designed to allow for easy installation, even after the line set has been installed
- A hooking and fastening arrangement allows for quick installation
- Each wall cover is individually packed, and furnished with stainless steel screws to attach the wall cover to the base
- Three screws are necessary to fasten the wall cover to the wall construction, regardless of the type of installed system



45° and 90° Flat Bend Elbows

- 45° Flat Bends are used to route the SpeediChannel™ around obstacles
- Each bend is individually packed and furnished with stainless steel screws



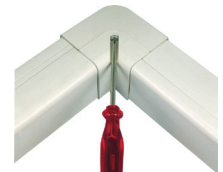
45°



90°

90° Inside Elbow

- 90° Inside Elbows are used to route the SpeediChannel™ around an inside corner
- Each elbow is individually packed and furnished with stainless steel screws



Mount Block White Qty. (2) 14 in. and (2) 36 in.

- Mount Blocks are used as mounting bases when outdoor units must be bolted down
- End caps (for aesthetics) come furnished with mounting bolts
- Maximum load capacity is 900 pounds per mounting block
- Installation temperatures range from -4°F to 140°F
- Mount blocks fit all mini-split outdoor units with a sliding rail feature



SPECIFICATIONS
0.75 | 2 TON

Nominal Size - Tons		0.75	1	1.5	2
Outdoor Unit Model No.		MLB009S4S	MLB012S4S	MLB018S4S	MLB024S4S
Ambient Temperature Operating Range - °F	Cooling	-22 - 122	-22 - 122	-22 - 122	-22 - 122
	Heating	-22 - 86	-22 - 86	-22 - 86	-22 - 86
Sound Data (dBA)	Cooling	54.5	56	59	62
	Heating	54.5	56	59	62
Refrigerant	Charge furnished (R-410A)	2 lbs. 9 oz.	2 lbs. 9 oz.	4 lbs. 1 oz.	5 lbs. 12 oz.
	Maximum line length with furnished charge - ft.	25	25	25	25
	Additional charge required per ft. - oz.	0.16	0.16	0.16	0.32
Compressor	No. and Type	(1) Rotary	(1) Rotary	(1) Rotary	(1) Rotary
	Refrigerant oil type	VG74	VG74	VG74	VG74
	Refrigerant oil charge - oz.	11.8	11.8	21	21
Connections - in.	Liquid/Gas pipe (flare)	1/4 / 3/8	1/4 / 1/2	1/4 / 1/2	3/8 / 5/8
	Maximum refrigerant pipe length - ft.	98	98	98	164
	Max. difference in level of indoor unit - ft.	66	66	66	82
Outdoor Fan	(No.) Diameter - in.	(1) 17	(1) 17	(1) 19	(1) 22
	Total air volume - cfm	1120	1180	1355	2355
	rpm	850/680/450	850/680/450	810/720/1150	1150/1050/900/850
Outdoor Coil	Number of rows	2	2	2	2
	Fins per inch	18	18	18	19
	Fin type	Hydrophilic aluminum			
	Tube outside diameter - in.	3/8	3/8	3/8	3/8
	Tube type	Rifled copper tubing			
	Net face area - ft. ²	4.73	4.73	5.19	8.16
Design Pressure	PSIG	550/340	550/340	550/340	550/340
Shipping Data	Net/Shipping weight (lbs.)	74 / 80	74 / 80	101 / 108	135 / 145
ELECTRICAL DATA					
Electrical Characteristics - 60 Hz - 1 Phase		208/230V	208/230V	208/230V	208/230V
¹ Maximum Overcurrent Protection (MOCP) amps		15	15	25	35
² Minimum circuit ampacity (MCA)		15	15	16	25
Outdoor Fan Motor	Rated load amps	0.4	0.4	0.76	0.5
	Output - W	34	34	80	120

NOTE - Extremes of operating range are plus and minus 10% of line voltage.

¹ HACR type circuit breaker or fuse.

² Refer to National or Canadian Electrical Code manual to determine wire, fuse and disconnect size requirements.

SPECIFICATIONS
3 | 4 TON

Nominal Size - Tons		3	4
Outdoor Unit Model No.		MLB036S4S	MLB048S4S
Ambient Temperature Operating Range - °F	Cooling	-22 - 122	-22 - 122
	Heating	-22 - 86	-22 - 86
Sound Data (dBA)	Cooling	63	65
	Heating	63	65
Refrigerant	Charge furnished (R-410A)	16 lbs. 0 oz.	16 lbs. 0 oz.
	Maximum line length with furnished charge - ft.	25	25
	Additional charge required per ft. - oz.	0.32	0.32
Compressor	No. and Type	Twin-Rotary	Twin-Rotary
	Refrigerant oil type	Ester Oil VG74	POE VG74
	Refrigerant oil charge - oz.	49.4	49.4
Connections - in.	Liquid/Gas pipe (flare)	3/8 / 5/8	3/8 / 5/8
	Maximum refrigerant pipe length - ft.	213	213
	Max. difference in level of indoor unit - ft.	98	98
Outdoor Fan	(No.) Diameter - in.	(2) 22	(2) 22
	Total air volume - cfm	4470	4470
	rpm	900/850/800/750	900/850/800/750
Outdoor Coil	Number of rows	2	2
	Fins per inch	18	18
	Fin type	Hydrophilic aluminum	
	Tube outside diameter - in.	3/8	3/8
	Tube type	Rifled copper tubing	
	Net face area - ft. ²	6.43+6.97	6.43+6.97
Design Pressure	PSIG	550/340	550/340
Shipping Data	Net/Shipping weight (lbs.)	220 / 248	227 / 256
ELECTRICAL DATA			
Electrical Characteristics - 60 Hz - 1 Phase		208/230V	208/230V
¹ Maximum Overcurrent Protection (MOCP) amps		50	50
² Minimum circuit ampacity (MCA)		40	40
Outdoor Fan Motor	Rated load amps	(2) 0.39	(2) 0.39
	Output - W	(2) 85	(2) 85

NOTE - Extremes of operating range are plus and minus 10% of line voltage.

¹ HACR type circuit breaker or fuse.

² Refer to National or Canadian Electrical Code manual to determine wire, fuse and disconnect size requirements.

OPTIONAL ACCESSORIES - ORDER SEPARATELY

Description	Catalog No.	Size					
		009	012	018	024	036	048
OUTDOOR UNIT							
Condenser Pad (18 x 38 x 3)	Y5014	•	•	•	•	•	•
Disconnects	30 amp, fused, 1 ph	27P37	•	•	•	•	•
	60 amp, non-fused, 1 ph	27P39	•	•	•	•	•
Fuses	30A	83P75	•	•	•	•	•
	60A	83P77	•	•	•	•	•
Hail Guards (H x W)	(1) 18-7/8 x 29-1/2 in + (1) 18 x 10-1/4 in.	24M81	•	•			
	(1) 22-7/8 x 32 in. + (1) 22-1/4 x 11 in.	24M85			•		
	(1) 28-5/8 x 33-1/2 in. + (1) 28-5/8 x 12-7/8 in.	24M84				•	
	(1) 48-5/8 x 29-1/8 + (1) 48-5/8 x 11-1/2 in.	24M83					•
Line Sets	1/4 in. x 3/8 in. x 25 ft.	90X53	•	N/A			
	1/4 in. x 3/8 in. x 50 ft.	X0258	•	N/A			
	1/4 in. x 1/2 in. x 25 ft.	90X52	N/A	•	•	N/A	
	1/4 in. x 1/2 in. x 50 ft.	X0259	N/A	•	•	N/A	
	3/8 in. x 5/8 in. x 25 ft.	X8406	N/A		•	•	•
	3/8 in. x 5/8 in. x 50 ft.	X8407	N/A		•	•	•
Wall Brackets	30 inch	X1727	•	•	•	•	N/A
	36 inch	X1728	N/A			•	•
Whips	10 Gauge - 1/2 in. x 6 ft.	29P54	•	•	•	•	•
	8 Gauge - 3/4 in. x 6 ft.	27P44	•	•	•	•	•
SPEEDICHANNEL™ SYSTEM							
SpeediChannel™ Starter Kit - 4 in.	Y3387	•	•	•	•	•	•
SpeediChannel - 4 in. x 6-1/2 ft. (qty. 6)	Y3388	•	•	•	•	•	•
Union Coupling - 4 in.	Y3389	•	•	•	•	•	•
90° Flat Bend Elbow - 4 in.	Y3390	•	•	•	•	•	•
90° Inside Elbow - 4 in.	Y3391	•	•	•	•	•	•
45° Flat Bend Elbow - 4 in.	Y3392	•	•	•	•	•	•
Flex Joint - 4 in.	Y3393	•	•	•	•	•	•
T-Joint - 4 in.	Y3394	•	•	•	•	•	•
Duct End - 4 in.	Y3395	•	•	•	•	•	•
Flat Wall Escutcheon - 4 in.	Y3396	•	•	•	•	•	•
Wall Penetration Cover - 4 in.	Y3399	•	•	•	•	•	•
Mount Block (White) Qty, 2 - 14 in.	Y3397	•	•	•	•	•	•
Mount Block (White) Qty, 2 - 36 in.	Y3398	•	•	•	•	•	•

AHRI SYSTEM MATCHES

Outdoor Unit	Indoor Unit	2017						2023					1 AHRI Reference Number
		Cooling Capacity	SEER	EER	Heat Capacity		HSPF (IV)	Cooling Capacity	SEER2	EER2	High Heat	HSPF2 (IV)	
					High	Low							
MLB009S4S-1P	M22A009S4-*P	9000	20.5	13	10000	9000	10.8	9000	20.5	13	9800	10.2	211034455
MLB009S4S-1P	MMDB009S4-*P	9000	23	14	10000	10100	12	8800	20.2	13.2	10000	12	211034444
MLB009S4S-1P	MWMC009S4-*P	9000	28.1	16.2	11800	9500	12.5	9000	28.1	16.2	12000	11.5	211034440
MLB012S4S-1P	M22A012S4-*P	12000	21.5	12.7	12000	9900	10.6	12000	22.3	12.7	12000	10.2	211034456
MLB012S4S-1P	MFMA012S4-*P	12000	23	13	12000	9600	11.5	12000	23.6	13	12000	10	211034450
MLB012S4S-1P	MMDB012S4-*P	12000	21.5	13	12000	10600	11.5	11800	19.5	11.7	12500	10	211034445
MLB012S4S-1P	MWMC012S4-*P	12000	25.5	13.5	12000	10000	13	12000	25.5	13.5	12000	10.4	211034441
MLB018S4S-1P	M22A018S4-*P	16000	20	12.5	18000	15600	10.3	15700	20	12.5	17000	9.5	211034457
MLB018S4S-1P	MCFB018S4-*P	17000	20.2	12.5	18000	12000	10.5	17000	20.5	12.5	18000	9.8	211034451
MLB018S4S-1P	MMA018SM4-*P	---	---	---	---	---	---	18000	17.6	11.7	19000	9.6	212348049
MLB018S4S-1P	MMDB018S4-*P	16500	19.6	12.5	19000	15000	11	17000	18	11.7	19000	9.2	211034446
MLB018S4S-1P	MWMC018S4-*P	18000	21.5	12.5	18000	15000	13	18000	21.5	12.5	18000	11.2	211034442
MLB024S4S-1P	M33C024S4-*P	24000	20.2	11	25000	21000	11.6	24000	20.5	11	25000	11.5	211034458
MLB024S4S-1P	MCFA024S4-*P	24000	20.2	11.5	24600	19000	11.6	24000	20.5	11.7	25000	11	211034452
MLB024S4S-1P	MMA024SM4-*P	---	---	---	---	---	---	23000	18.4	11.7	26000	9.1	212348050
MLB024S4S-1P	MMDB024S4-*P	24000	20.6	12.5	24600	21000	12.6	24000	19.2	12	25000	10.5	211034447
MLB024S4S-1P	MWMC024S4-*P	24000	21.5	13	29000	21200	12	24000	21.5	13	29000	11.4	211034443
MLB036S4S-2P	M33C036S4-*P	36000	19	9.5	39000	33000	10.3	36000	19.4	9.5	40000	10.5	211034459
MLB036S4S-2P	MCFA036S4-*P	36000	17.5	8.6	39000	32000	10	36000	17.6	8.8	39000	10	211034453
MLB036S4S-2P	MMA036S4-*P	---	---	---	---	---	---	36000	14.9	9.8	40000	8.9	212348051
MLB036S4S-2P	MMDB036S4-*P	36000	17.5	9	40000	34000	11.5	36000	16.5	9	42000	11	211034448
MLB048S4S-2P	M33C048S4-*P	48000	16.5	8.3	51000	35000	10.7	48000	16.8	8.3	53000	10.7	211034460
MLB048S4S-2P	MCFA048S4-*P	48000	17	8.2	50000	35000	10.8	48000	17	8.2	51000	9.8	211034454
MLB048S4S-2P	MMA048S4-*P	---	---	---	---	---	---	47000	14.6	7.8	48000	8.9	212348052
MLB048S4S-2P	MMDB048S4-*P	48000	16	8.7	48000	39500	11.1	48000	14.3	8.1	52000	10.2	211034449

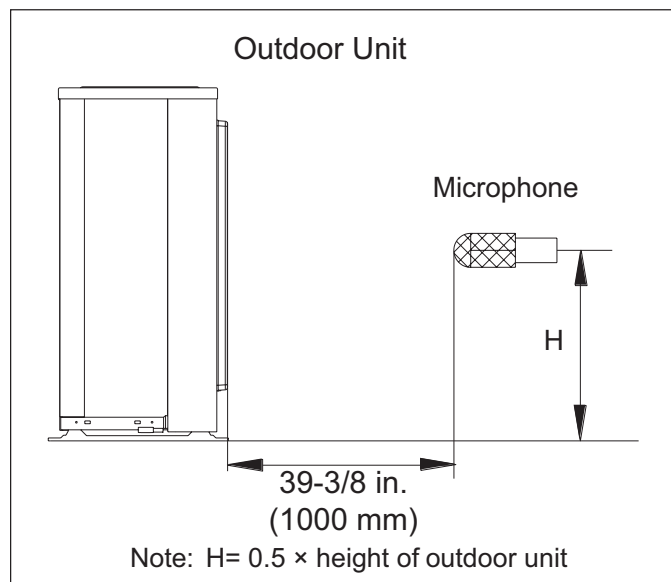
¹ Bold Reference Numbers indicate Energy Star approval.

Ratings are AHRI certified to AHRI Standard 210/240;

- Cooling Ratings - 95°F wet bulb/75°F dry bulb outdoor air temperature and 80°F dry bulb/67°F wet bulb entering indoor coil air.
- High Temperature Heating Ratings - 47°F dry bulb/43°F wet bulb outdoor air temperature and 70°F dry bulb/60°F wet bulb entering indoor coil air.
- Low Temperature Heating Ratings - 17°F dry bulb/15°F wet bulb outdoor air temperature and 70°F dry bulb/60°F wet bulb entering indoor coil air.

To convert HSPF from Region IV to Region V - Divide by 1.15.

SOUND LEVELS - TEST CONDITIONS



COOLING CAPACITY

009

Outdoor Temperature - °F (Dry Bulb)	Indoor Temperature - °F (Dry Bulb / Wet Bulb)							
	65°F / 54°F		70°F / 59°F		75°F / 63°F		80°F / 67°F	
	Total mBtuh	Sensible mBtuh	Total mBtuh	Sensible mBtuh	Total mBtuh	Sensible mBtuh	Total mBtuh	Sensible mBtuh
-22	8.93	5.70	9.36	5.93	9.86	6.21	10.43	6.54
-13	9.56	6.18	10.02	6.45	10.57	6.77	11.04	7.03
-4	9.75	6.53	10.35	6.89	11.01	7.29	11.56	7.62
0	10.10	6.88	10.52	7.12	11.14	7.50	11.81	7.90
5	10.38	6.99	10.87	7.28	11.44	7.62	12.06	7.98
17	10.33	7.44	10.99	7.88	11.58	8.26	12.23	8.68
25	10.67	7.59	11.13	7.88	11.83	8.32	12.40	8.68
35	10.80	8.05	11.36	8.41	11.83	8.72	12.55	9.20
47	10.97	8.21	11.51	8.57	12.16	9.01	12.73	9.38
55	11.03	8.41	11.71	8.87	12.26	9.24	12.80	9.59
65	10.87	8.18	11.47	8.59	12.17	9.07	12.87	9.54
75	10.97	8.47	11.64	8.94	12.31	9.40	12.94	9.82
85	11.27	9.14	11.76	9.49	12.43	9.99	13.16	10.51
95	11.51	9.38	12.04	9.75	12.69	10.21	13.29	10.65
105	11.03	9.19	11.71	9.69	12.20	10.03	12.85	10.53
115	9.53	9.38	10.04	9.82	10.58	10.26	11.14	10.63
122	8.46	8.79	8.90	9.29	9.40	9.65	9.84	10.05

HEATING CAPACITY

009

Outdoor Temperature - °F (Dry Bulb)	Indoor Temperature - °F (Dry Bulb)			
	60°F	65°F	70°F	75°F
	Total mBtuh	Total mBtuh	Total mBtuh	Total mBtuh
-22	5.79	5.65	5.49	5.28
-13	7.26	7.05	6.83	6.53
-4	8.98	8.71	8.49	8.10
0	10.21	9.90	9.59	9.16
5	11.25	10.94	10.62	10.18
17	13.60	13.24	12.83	12.33
20	14.19	13.71	13.29	12.80
25	14.64	14.19	13.74	13.13
32	15.03	14.61	14.22	13.70
35	15.54	15.12	14.72	14.12
40	15.71	15.27	14.88	14.29
47	15.90	15.45	15.03	14.43
50	16.46	15.90	15.44	14.81
57	16.76	16.32	15.78	15.21

COOLING CAPACITY

012

Outdoor Temperature - °F (Dry Bulb)	Indoor Temperature - °F (Dry Bulb / Wet Bulb)							
	65°F / 54°F		70°F / 59°F		75°F / 63°F		80°F / 67°F	
	Total mBtuh	Sensible mBtuh	Total mBtuh	Sensible mBtuh	Total mBtuh	Sensible mBtuh	Total mBtuh	Sensible mBtuh
-22	9.32	5.97	9.78	6.22	10.40	6.58	10.84	6.82
-13	10.13	6.46	10.60	6.73	11.08	6.99	11.65	7.31
-4	10.38	6.99	10.93	7.32	11.43	7.61	12.14	8.05
0	10.48	6.90	11.15	7.29	11.78	7.65	12.31	7.96
5	10.57	7.39	11.23	7.82	11.91	8.24	12.51	8.60
17	10.95	7.75	11.45	8.06	12.09	8.47	12.77	8.89
25	11.26	8.31	11.79	8.66	12.37	9.03	13.02	9.45
35	11.46	8.03	11.88	8.43	12.56	8.87	13.25	9.30
47	11.75	8.72	12.42	9.16	12.96	9.50	13.63	9.93
55	11.84	8.88	12.56	9.36	13.16	9.76	13.71	10.12
65	11.90	9.33	12.45	9.70	13.13	10.18	13.79	10.63
75	11.77	9.32	12.44	9.79	13.14	10.29	13.87	10.79
85	11.94	9.52	12.52	9.92	13.26	10.44	14.05	11.00
95	12.27	10.20	12.90	10.66	13.52	11.12	14.15	11.57
105	11.48	9.65	12.03	10.06	12.71	10.56	13.50	11.15
115	9.92	9.22	10.35	9.56	10.93	10.04	11.62	10.62
122	8.75	8.69	9.13	9.03	9.71	9.56	10.26	10.07

HEATING CAPACITY

012

Outdoor Temperature - °F (Dry Bulb)	Indoor Temperature - °F (Dry Bulb)			
	60°F	65°F	70°F	75°F
	Total mBtuh	Total mBtuh	Total mBtuh	Total mBtuh
-22	7.85	7.60	7.34	7.01
-13	9.15	8.87	8.64	8.25
-4	10.22	9.92	9.59	9.22
0	11.45	11.09	10.75	10.31
5	12.74	12.37	12.04	11.55
17	13.95	13.49	13.11	12.61
20	14.54	14.09	13.61	13.05
25	15.04	14.54	14.11	13.60
32	15.39	15.01	14.60	14.06
35	16.03	15.54	15.12	14.58
40	16.32	15.78	15.38	14.69
47	16.61	16.14	15.61	15.04
50	17.09	16.54	15.98	15.36
57	17.39	16.90	16.39	15.75

COOLING CAPACITY

018

Outdoor Temperature - °F (Dry Bulb)	Indoor Temperature - °F (Dry Bulb / Wet Bulb)							
	65°F / 54°F		70°F / 59°F		75°F / 63°F		80°F / 67°F	
	Total mBtuh	Sensible mBtuh	Total mBtuh	Sensible mBtuh	Total mBtuh	Sensible mBtuh	Total mBtuh	Sensible mBtuh
-22	14.48	8.71	15.15	9.07	15.83	9.41	16.64	9.84
-13	15.31	9.77	16.17	10.25	17.15	10.81	17.90	11.22
-4	16.57	10.71	17.40	11.19	18.34	11.74	19.24	12.24
0	16.87	11.61	17.89	12.25	18.66	12.69	19.72	13.35
5	17.11	11.55	18.11	12.16	19.20	12.81	20.26	13.45
17	17.69	12.93	18.55	13.48	19.65	14.19	20.55	14.75
25	17.06	12.36	17.96	12.93	18.79	13.46	19.94	14.20
35	16.66	12.53	17.61	13.18	18.39	13.67	19.31	14.29
47	16.19	11.88	17.08	12.48	17.98	13.06	18.93	13.66
55	15.93	11.94	16.80	12.53	17.80	13.21	18.83	13.90
65	16.02	12.06	16.98	12.71	17.95	13.37	18.74	13.87
75	15.84	12.34	16.72	12.96	17.73	13.66	18.65	14.28
85	15.98	12.42	16.93	13.09	17.67	13.58	18.48	14.12
95	16.18	13.33	16.87	13.81	17.59	14.31	18.40	14.89
105	14.75	12.20	15.65	12.88	16.65	13.64	17.66	14.39
115	13.36	12.62	14.20	13.34	15.02	14.03	15.72	14.58
122	12.25	12.21	12.97	12.87	13.68	13.52	14.28	14.05

HEATING CAPACITY

018

Outdoor Temperature - °F (Dry Bulb)	Indoor Temperature - °F (Dry Bulb)			
	60°F	65°F	70°F	75°F
	Total mBtuh	Total mBtuh	Total mBtuh	Total mBtuh
-22	14.62	14.26	13.84	13.26
-13	16.27	15.78	15.38	14.80
-4	18.11	17.65	17.09	16.39
0	18.91	18.32	17.86	17.12
5	19.78	19.12	18.58	17.91
17	21.22	20.58	19.92	19.21
20	21.27	20.59	19.95	19.11
25	21.17	20.64	19.98	19.20
32	21.14	20.52	20.00	19.20
35	21.44	20.71	20.03	19.19
40	21.43	20.71	20.05	19.15
47	21.50	20.77	20.07	19.35
50	21.92	21.18	20.53	19.79
57	22.27	21.68	21.07	20.33

COOLING CAPACITY

024

Outdoor Temperature - °F (Dry Bulb)	Indoor Temperature - °F (Dry Bulb / Wet Bulb)							
	65°F / 54°F		70°F / 59°F		75°F / 63°F		80°F / 67°F	
	Total mBtuh	Sensible mBtuh	Total mBtuh	Sensible mBtuh	Total mBtuh	Sensible mBtuh	Total mBtuh	Sensible mBtuh
-22	18.58	11.53	19.35	11.93	20.45	12.55	21.62	13.19
-13	19.91	12.63	20.74	13.09	21.67	13.60	23.00	14.35
-4	20.91	14.25	21.78	14.74	22.78	15.33	24.21	16.20
0	21.24	14.24	22.24	14.82	23.29	15.45	24.70	16.28
5	21.55	14.93	22.91	15.78	23.99	16.44	25.22	17.20
17	22.45	16.26	23.66	17.04	24.82	17.78	26.35	18.79
25	23.45	17.36	24.55	18.06	26.09	19.07	27.24	19.80
35	24.17	18.17	25.61	19.16	26.79	19.93	28.02	20.73
47	25.83	18.65	27.30	19.59	28.89	20.64	30.28	21.53
55	25.70	19.20	27.23	20.25	28.54	21.11	30.20	22.20
65	25.96	20.29	27.50	21.39	28.89	22.34	30.12	23.16
75	25.64	19.86	26.80	20.63	28.36	21.72	30.04	22.86
85	24.52	19.72	25.67	20.54	26.91	21.39	28.54	22.54
95	23.12	18.64	24.15	19.36	25.70	20.47	26.94	21.33
105	22.53	19.38	23.57	20.18	24.81	21.12	25.87	21.89
115	20.46	19.49	21.69	20.55	22.79	21.49	23.74	22.24
122	19.35	19.26	20.52	20.35	21.53	21.27	22.50	22.12

HEATING CAPACITY

024

Outdoor Temperature - °F (Dry Bulb)	Indoor Temperature - °F (Dry Bulb)			
	60°F	65°F	70°F	75°F
	Total mBtuh	Total mBtuh	Total mBtuh	Total mBtuh
-22	17.37	16.89	16.42	15.81
-13	21.05	20.33	19.78	18.99
-4	23.99	23.20	22.48	21.69
0	25.23	24.59	23.80	22.97
5	26.97	26.26	25.42	24.53
17	27.27	26.48	25.68	24.55
20	27.38	26.64	25.86	24.70
25	27.47	26.77	26.04	24.95
32	27.74	27.01	26.22	25.12
35	28.01	27.11	26.38	25.32
40	28.90	28.12	27.35	26.28
47	29.91	29.09	28.33	27.22
50	30.19	29.45	28.73	27.44
57	30.98	30.02	29.18	28.07

COOLING CAPACITY

036

Outdoor Temperature - °F (Dry Bulb)	Indoor Temperature - °F (Dry Bulb / Wet Bulb)							
	65°F / 54°F		70°F / 59°F		75°F / 63°F		80°F / 67°F	
	Total mBtuh	Sensible mBtuh	Total mBtuh	Sensible mBtuh	Total mBtuh	Sensible mBtuh	Total mBtuh	Sensible mBtuh
-22	26.94	17.42	28.25	17.99	29.46	18.48	31.03	18.80
-13	29.76	20.20	30.87	20.64	32.02	21.09	33.73	21.46
-4	30.99	21.70	32.49	22.42	34.07	23.15	36.07	23.68
0	32.46	23.57	33.86	24.22	35.12	24.75	37.19	25.32
5	33.12	24.26	34.36	24.79	36.02	25.61	38.14	28.05
17	33.73	25.43	35.36	26.27	36.88	26.99	39.26	27.76
25	34.87	26.67	36.76	27.70	38.13	28.31	40.38	28.96
35	36.22	28.10	37.58	28.72	39.40	29.66	41.50	30.18
47	37.40	29.57	38.80	30.22	40.24	30.89	42.62	31.59
55	37.23	30.36	38.62	31.03	40.06	31.71	42.42	32.43
65	37.06	30.34	38.44	31.01	39.88	31.69	42.23	32.41
75	36.88	30.60	38.26	31.27	39.69	31.96	42.03	32.69
85	34.21	28.75	35.87	29.69	37.41	30.51	39.82	31.37
95	33.01	28.48	34.42	29.27	35.71	29.91	37.81	30.59
105	29.88	26.72	31.00	27.31	32.50	28.21	34.79	29.16
115	26.28	25.76	27.26	26.33	28.58	27.19	30.59	28.12
122	24.29	24.09	25.06	24.91	26.00	25.73	27.53	27.25

HEATING CAPACITY

036

Outdoor Temperature - °F (Dry Bulb)	Indoor Temperature - °F (Dry Bulb)			
	60°F	65°F	70°F	75°F
	Total mBtuh	Total mBtuh	Total mBtuh	Total mBtuh
-22	27.32	26.83	26.38	25.54
-13	33.47	32.75	32.18	31.18
-4	40.98	39.98	39.24	38.06
0	41.63	40.97	40.09	38.93
5	43.02	41.97	40.94	39.67
17	48.93	47.64	46.34	45.00
20	49.52	48.17	46.99	45.54
25	50.43	49.20	47.86	46.43
32	50.82	49.53	48.23	46.74
35	51.45	50.09	48.73	47.27
40	51.63	50.22	49.38	47.95
47	51.26	50.41	49.66	48.17
50	52.13	51.36	50.65	49.19
57	52.60	51.98	51.41	49.82

COOLING CAPACITY

048

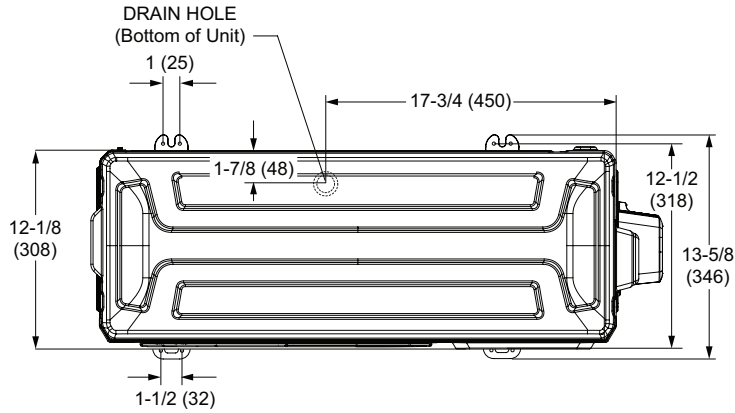
Outdoor Temperature - °F (Dry Bulb)	Indoor Temperature - °F (Dry Bulb / Wet Bulb)							
	65°F / 54°F		70°F / 59°F		75°F / 63°F		80°F / 67°F	
	Total mBtuh	Sensible mBtuh	Total mBtuh	Sensible mBtuh	Total mBtuh	Sensible mBtuh	Total mBtuh	Sensible mBtuh
-22	34.36	21.56	36.75	22.72	39.10	23.81	41.59	24.95
-13	37.95	25.00	40.16	26.06	42.49	27.17	45.21	28.48
-4	39.52	26.86	42.27	28.30	45.21	29.83	48.35	31.43
0	41.83	29.48	44.50	30.90	47.09	32.22	50.36	33.95
5	43.12	30.66	45.63	31.96	48.80	33.68	52.19	34.75
17	42.98	31.46	45.97	33.15	48.91	34.75	52.59	36.81
25	43.54	32.33	46.82	34.25	49.54	35.70	52.99	37.62
35	44.34	33.38	46.92	34.80	50.18	36.67	53.38	38.44
47	46.28	35.52	48.98	37.04	51.83	38.61	55.43	40.69
55	46.37	36.71	49.07	38.27	51.93	39.90	55.54	42.04
65	46.42	36.89	49.12	38.46	51.98	40.10	55.59	42.25
75	46.47	37.42	49.18	39.01	52.04	40.67	55.66	42.85
85	43.52	35.50	46.55	37.40	49.52	39.20	53.24	41.53
95	42.15	35.31	44.84	37.00	47.45	38.58	50.75	40.65
105	38.16	33.12	40.38	34.53	43.19	36.38	46.69	38.75
115	27.85	26.50	29.47	27.63	31.52	29.11	34.07	31.00
122	25.74	25.43	27.09	26.69	28.67	28.10	30.66	30.05

HEATING CAPACITY

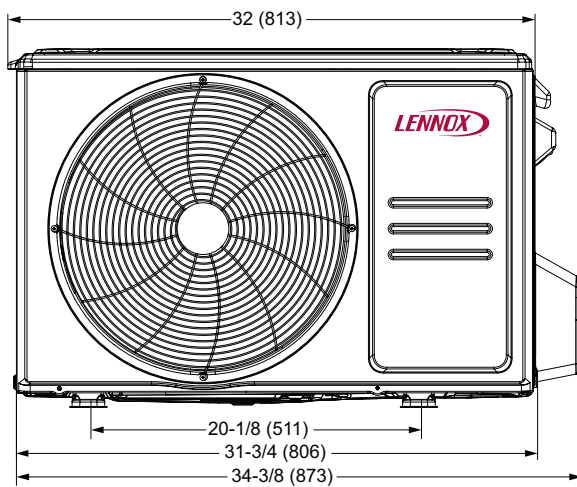
048

Outdoor Temperature - °F (Dry Bulb)	Indoor Temperature - °F (Dry Bulb)			
	60°F	65°F	70°F	75°F
	Total mBtuh	Total mBtuh	Total mBtuh	Total mBtuh
-22	32.12	31.64	31.17	29.93
-13	40.23	39.59	38.97	37.60
-4	49.76	48.93	48.11	46.67
0	51.01	49.91	48.70	46.75
5	52.03	50.86	49.28	47.56
17	57.66	56.26	54.99	52.52
20	58.81	57.49	56.25	53.72
25	60.69	59.38	57.93	55.61
32	61.37	59.99	58.64	56.59
35	62.26	60.92	59.61	56.63
40	63.95	62.39	60.87	57.52
47	63.77	62.77	61.42	58.35
50	64.41	63.52	62.64	60.14
57	65.51	64.54	63.58	61.36

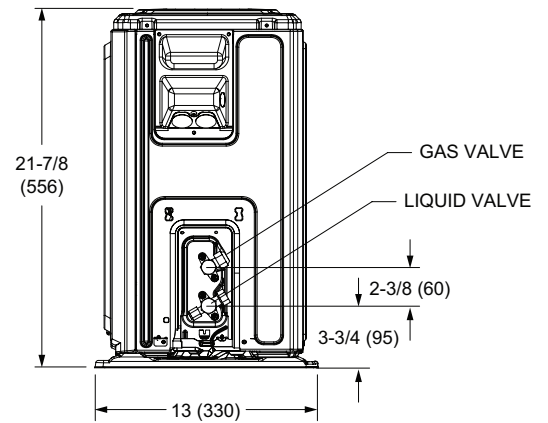
MLB009S4S | MLB012S4S



TOP VIEW



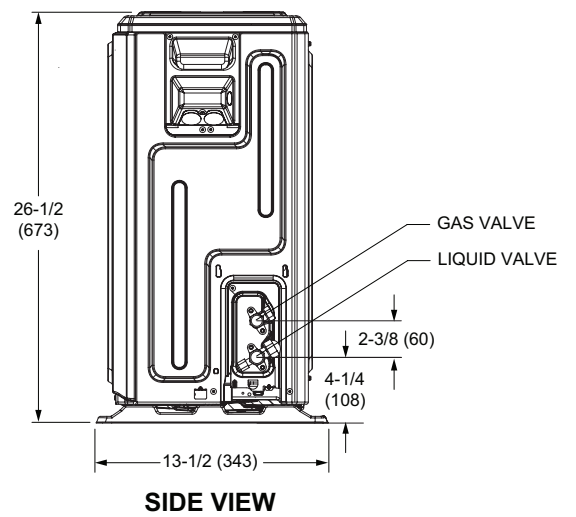
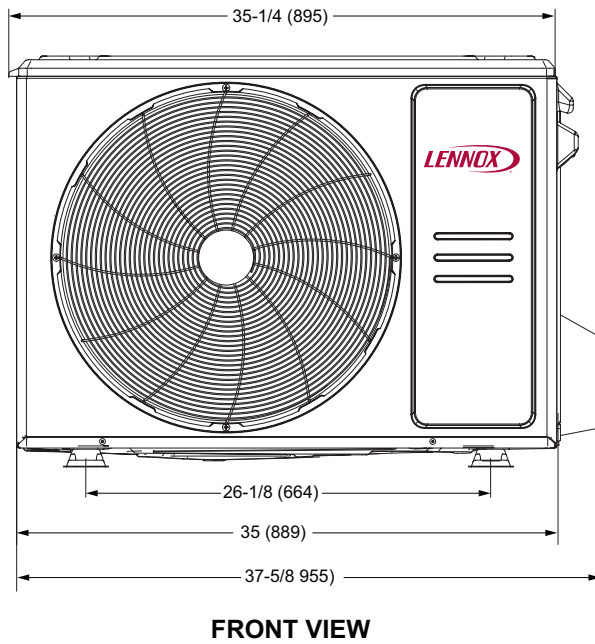
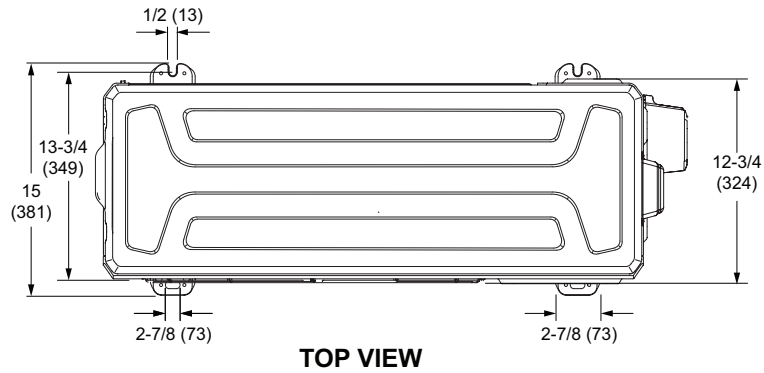
FRONT VIEW



SIDE VIEW

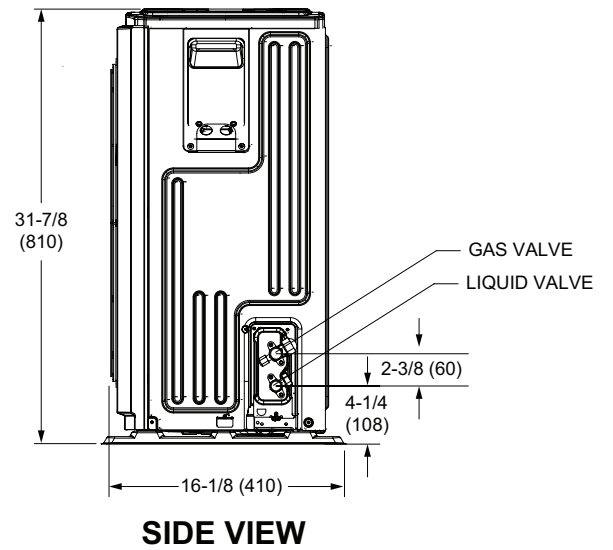
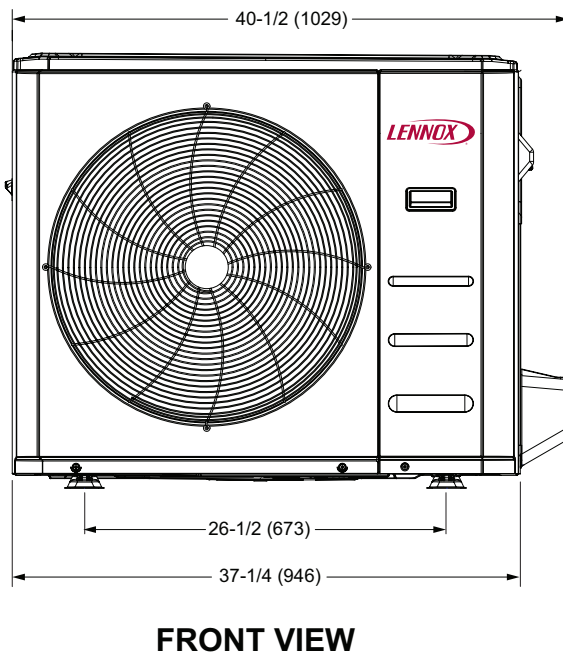
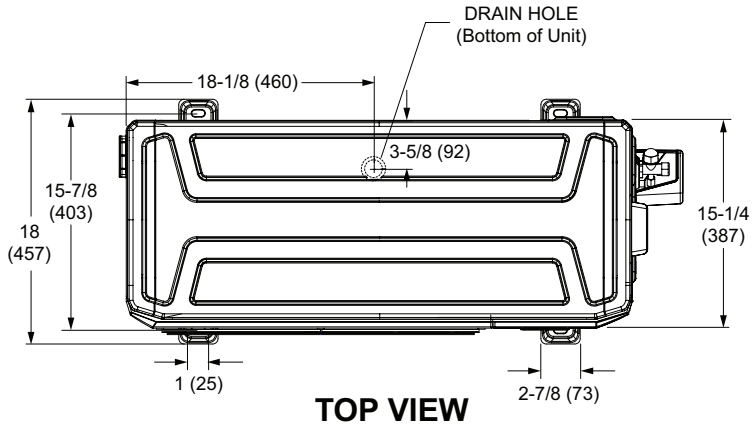
DIMENSIONS

MLB018S4S

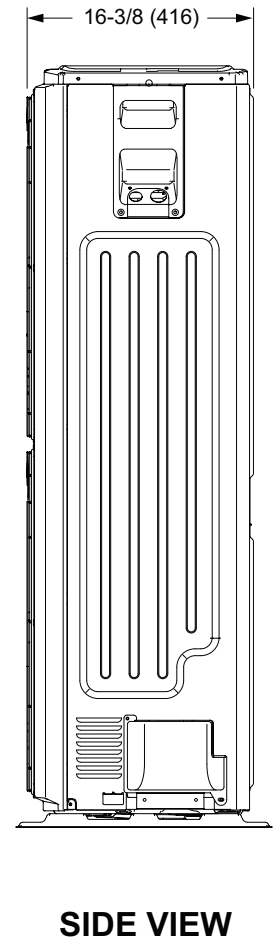
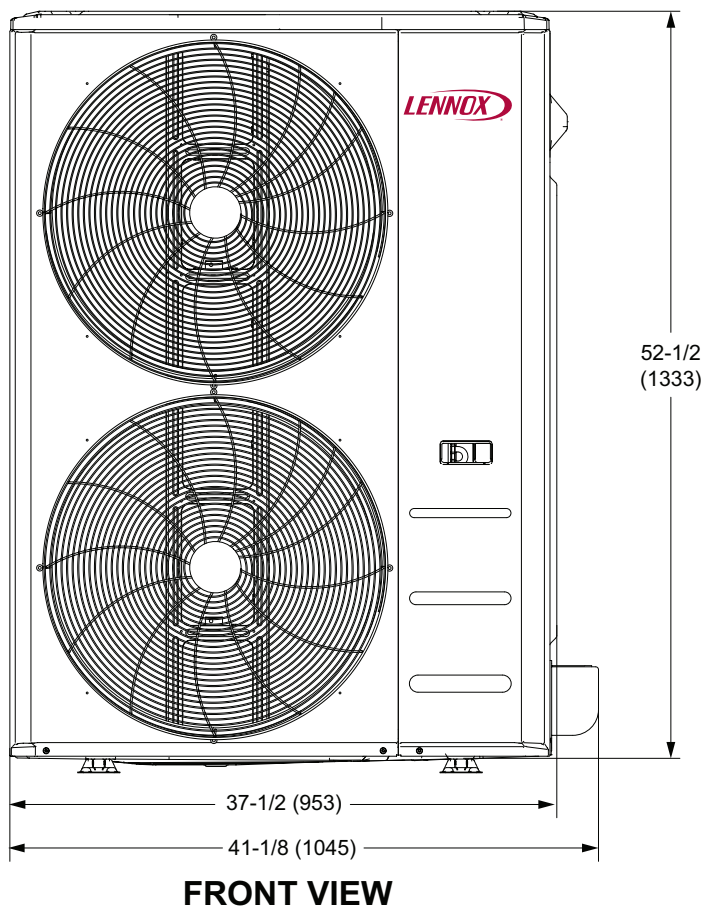
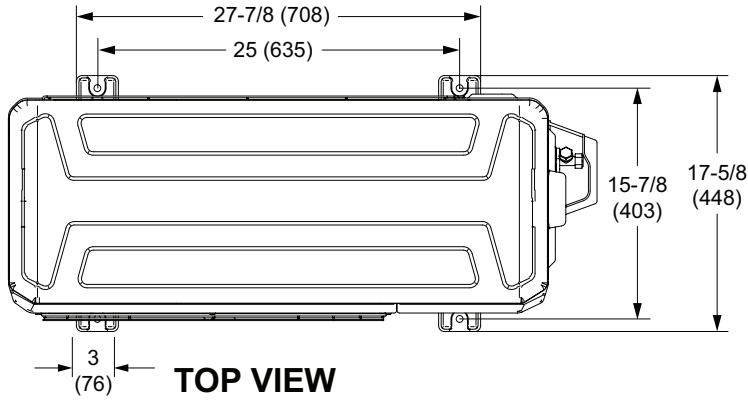


DIMENSIONS

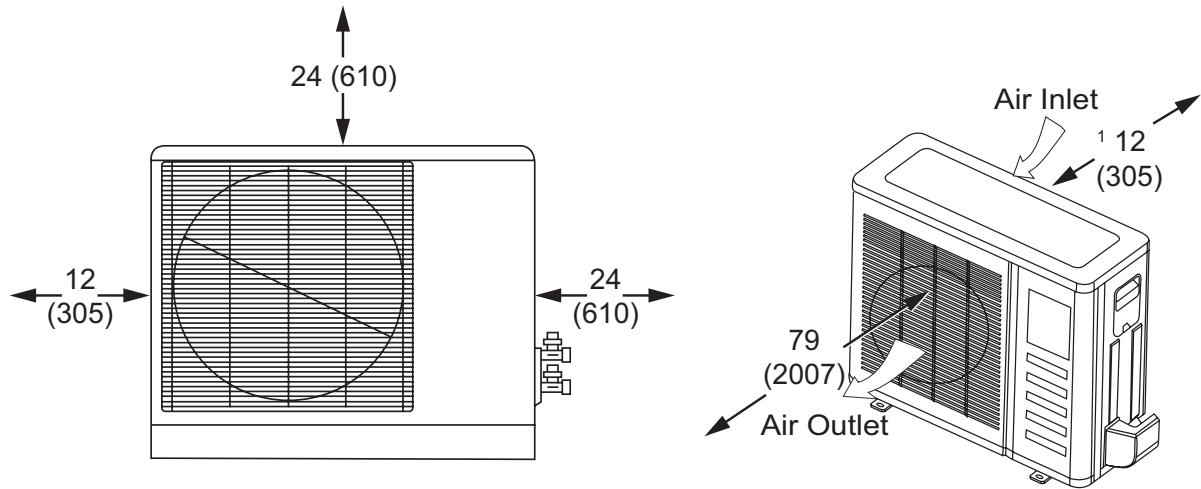
MLB024S4S



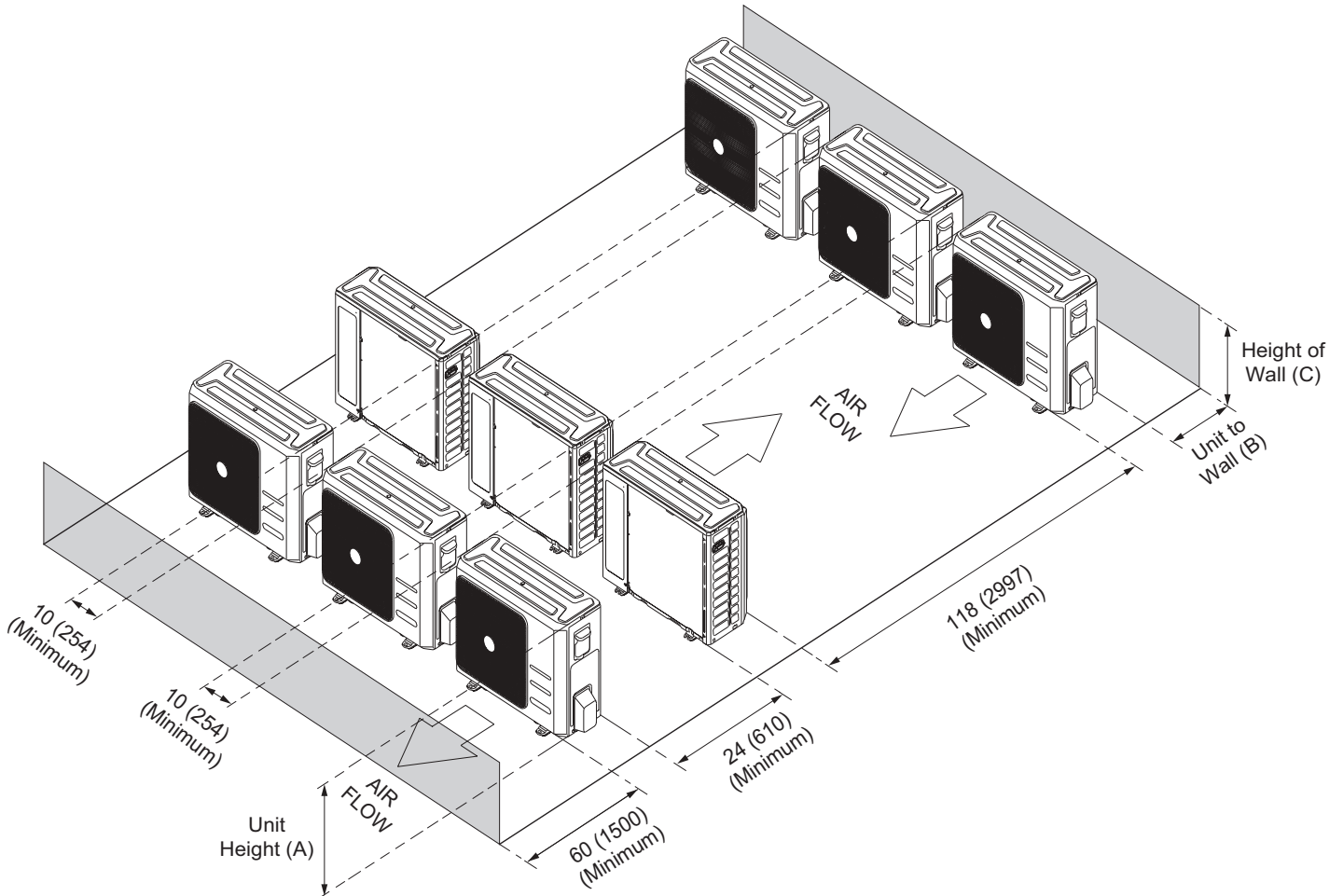
MLB036S4S | MLB048S4S



INSTALLATION CLEARANCES



¹ Minimum rear clearance can be 6 inches (152 mm) when mounted on brackets and with no obstructions on the other three sides.



CLEARANCE NOTES FOR MULTIPLE UNITS:

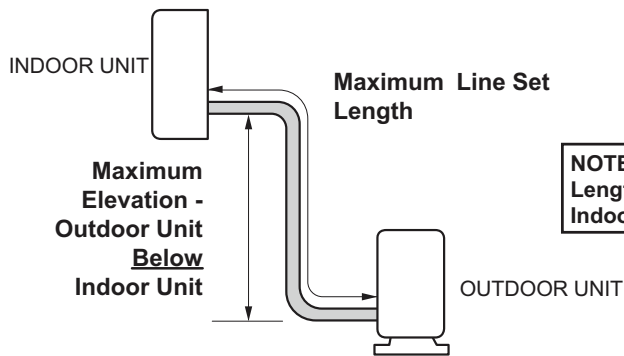
If the height of the wall (C) is less than or equal to the height of the smallest unit (A), the distance from the unit to the wall (B) must be a minimum of 10 inches (254 mm).

If 1/2 the height of the unit (A) is less than the height of the wall (C), the distance from the unit to the wall (B) must be a minimum of 12 inches (305 mm).

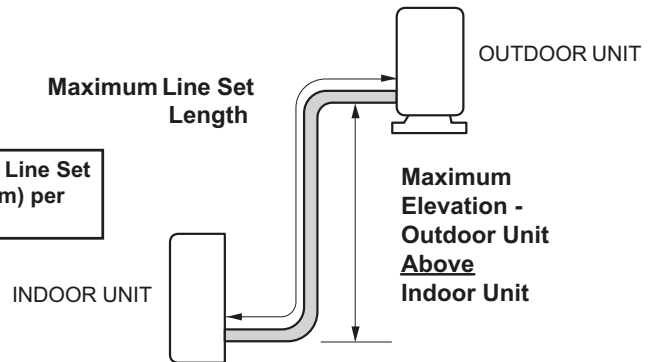
If the height of the wall (C) is greater than the height of the unit (A), the distance from the unit to the wall (B) must be a minimum of 20 inches (508 mm).

LINE SET AND ELEVATION GUIDELINES

Outdoor Unit BELOW Indoor Unit



Outdoor Unit ABOVE Indoor Unit



Size	Line Set Diameters (in.)		Maximum Elevation - Outdoor Unit <u>Below</u> Indoor Unit ft. (m)	Maximum Elevation - Outdoor Unit <u>Above</u> Indoor Unit ft. (m)	Maximum Line Set Length ft. (m)
	Liquid	Gas			
009	1/4	3/8	66 ft. (20 m)	66 ft. (20 m)	98 ft. (30 m)
012	1/4	1/2	66 ft. (20 m)	66 ft. (20 m)	98 ft. (30 m)
018	1/4	1/2	66 ft. (20 m)	66 ft. (20 m)	98 ft. (30 m)
024	3/8	5/8	82 ft. (25 m)	82 ft. (25 m)	164 ft. (50 m)
036, 048	3/8	5/8	98 ft. (30 m)	98 ft. (30 m)	213 ft. (65 m)

REVISIONS

Sections	Description of Change
Approvals and Warranty	Updated Warranty statement.



HRAI
✓ MEMBER COMPANY



Visit us at www.Lennox.com

For the latest technical information, www.LennoxPros.com

Contact us at 1-800-9-LENNOX

NOTE - Due to Lennox' ongoing commitment to quality, Specifications, Ratings and Dimensions subject to change without notice and without incurring liability. Improper installation, adjustment, alteration, service or maintenance can cause property damage or personal injury. Installation and service must be performed by a qualified installer and servicing agency.

©2024 Lennox Industries, Inc.