



Powered by  
**SAMSUNG**

# SUBMITTAL DATA - INDOOR UNIT

## VSCC012S4-4P

### Ductless Floor Standing

Job: \_\_\_\_\_  
 Location: \_\_\_\_\_  
 Schedule No.: \_\_\_\_\_  
 System Designation: \_\_\_\_\_

Engineer: \_\_\_\_\_  
 Architect: \_\_\_\_\_  
 Location: \_\_\_\_\_  
 Date: \_\_\_\_\_  
 For:  Reference  Approval  Review  Construction

## Floor Standing Indoor Unit (Concealed)

### FEATURES

- Easy Maintenance
- Advanced Commissioning and Service
- Refrigerant R-410A
- Five Capacity Sizes from 7,6000 to 24,000 Btu/h

### WARRANTY

- 10-year limited warranty.\*See warranty for details.

### SPECIFICATIONS

#### PERFORMANCE

Cooling Capacity <sup>1</sup> (Btu/h)		12,000
Heating Capacity <sup>1</sup> (Btu/h)		13,500
Airflow (CFM)	Low/Medium/High	210/300/350
External Static Pressure (in. w.g.)		-
Sound (dBA)	Low/Medium/High	27/32/37

#### ELECTRICAL DATA

Power Supply (Volts/Hertz/Phase)		208-230/60/1
Cooling Power Input (W)		50
Cooling Rated Current (A)		0.24
Heating Power Input (W)		50
Heating Rated Current (A)		0.24
Fan Motor U <sup>~</sup> put (W)		FEA

#### DIMENSIONS

Unit Dimensions (in)	Width	37.17
	Height	23.62
	Depth	8.66
Liquid Pipe Connection (in) (I.D.)		1/4
Gas Pipe Connection (in) (I.D.)		1/2
Net Weight (lb)		50.7
Shipping Weight (lb)		59.5

### OPTIONAL ACCESSORIES

VSTAT02P-1 Touch Screen Wired Controller	37P79
VSTAT04P-1 Individual Wired Controller	37Y74
VSTAT01P-1 Wireless Remote Controller	37Y73



### NOTES

1. Nominal capacity are based on (Refrigerant Piping : 25ft , Level Differences : 0ft);  
 .Cooling : Indoor temperature : 80°F DB, 67°F WB / Outdoor temperature : 95°F DB, 75°F WB
- .Heating : Indoor temperature : 70°F DB, 60°F WB / Outdoor temperature : 47°F DB, 43°F WB
2. Sound pressure was acquired in a dead room. Thus actual noise level may be different depending on the installation conditions.
3. Specifications are subject to change without prior notice for product improvement.



NOTE – Due to Lennox' ongoing commitment to quality, Specifications, Ratings and Dimensions subject to change without notice and without incurring liability. Improper installation, adjustment, alteration, service or maintenance can cause property damage or personal injury. Installation and service must be performed by a qualified installer and servicing agency.

496284 (202412)

©2024 Lennox Industries Inc.



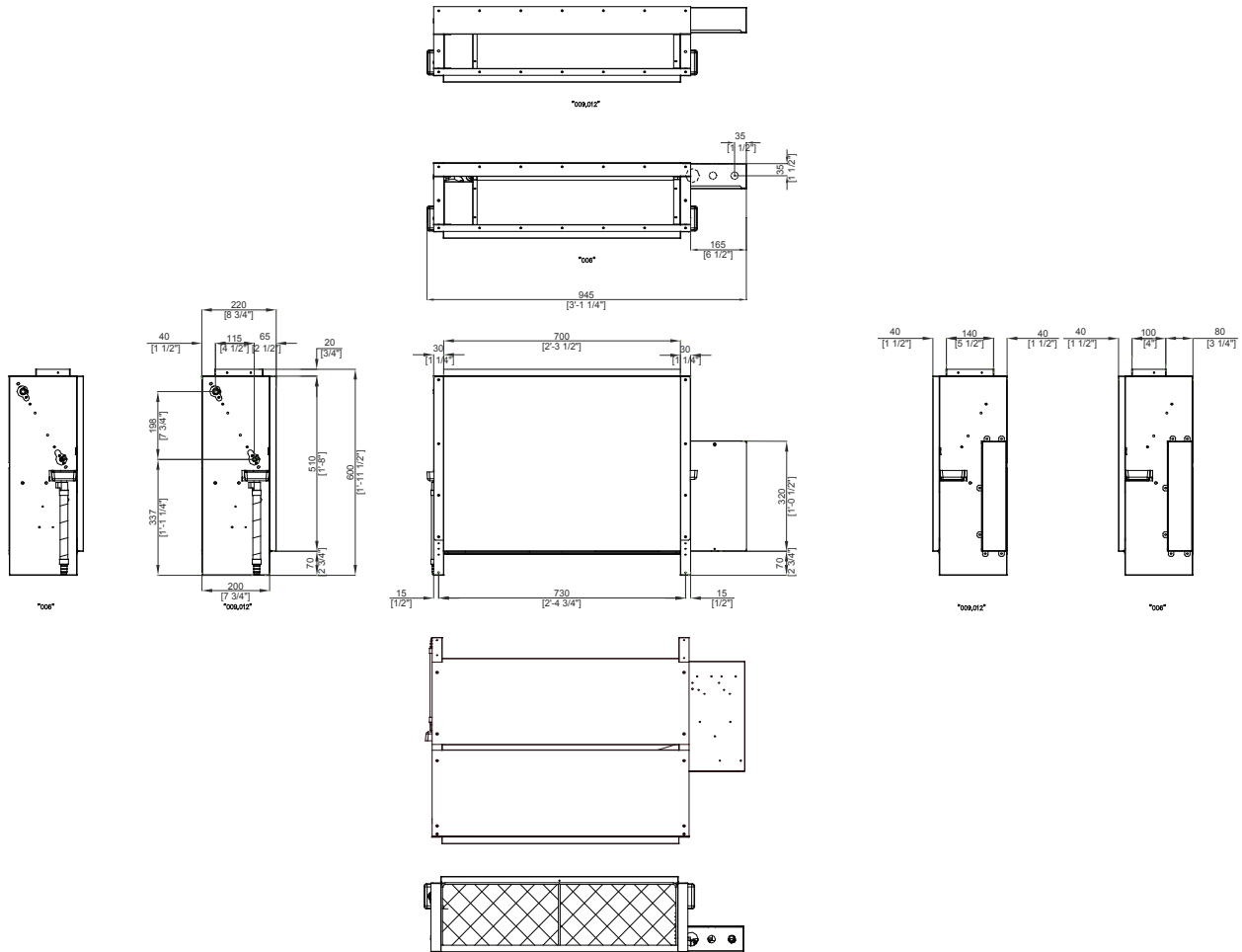
Powered by  
**SAMSUNG**

# SUBMITTAL DATA - INDOOR UNIT

## VSCC012S4-4P

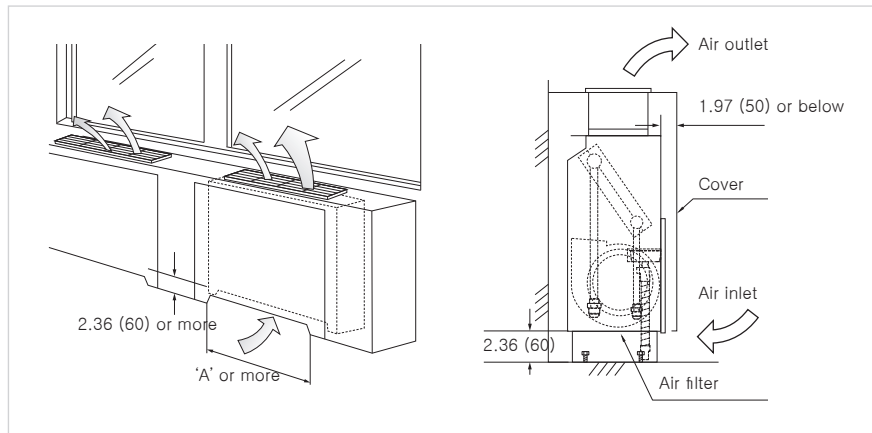
### Ductless Floor Standing

#### DIMENSIONAL DRAWINGS - MM (IN.)



\* Installation Guide

Unit: inch (mm)



NOTE – Due to Lennox' ongoing commitment to quality, Specifications, Ratings and Dimensions subject to change without notice and without incurring liability. Improper installation, adjustment, alteration, service or maintenance can cause property damage or personal injury. Installation and service must be performed by a qualified installer and servicing agency.

496284 (202412)

©2024 Lennox Industries Inc.