

**INSTALLATION INSTRUCTIONS FOR THERMISTOR KITS USED ON
LGM/LCM/LGT/LCT/LHT/LDT024-300 PACKAGED UNITS - WITH R410A**

Shipping and Packing List

Package 1 of 1 contains:

- 4- Thermistors with wire harnesses

⚠ WARNING

To prevent serious injury or death:

1. Lock-out/tag-out before performing maintenance.
2. If system power is required (e.g., smoke detector maintenance), disable power to blower, remove fan belt where applicable, and ensure all controllers and thermostats are set to the "OFF" position before performing maintenance.
3. Always keep hands, hair, clothing, jewelry, tools, etc., away from moving parts.

Check packaging for shipping damage. Contact the last carrier immediately if any shipping damage is found.

Application

Units are equipped with factory-installed thermistors located on different points on the refrigerant circuit. The thermistors provide the Unit Controller with constant temperature readings. These temperatures are used as feedback in certain modes of unit operation. In addition, the Unit Controller uses these temperatures to initiate alarms such as loss of outdoor or indoor coil airflow and loss of charge.

Each thermistor must be specifically placed for proper unit operation and to initiate valid alarms. For proper locations and kit application, see table 1 through 6 for LGM/LCM units and tables 7 through 13 for LGT/LCT/LHT/LDT units.

NOTE - Four thermistors are provided in each kit but not all thermistors are used in each application.

TABLE 1
LGM/LCM036, 048

| Cat. No. | Ass'y. No. | Sensor Yellow | Figure |
|----------|------------|---------------|--------|
| 22J06 | 623049-01 | RT46 | 1 |
| 22J07 | 623049-02 | RT42 | 1 |
| 22J08 | 623049-03 | RT48 | 3 |
| 22J09 | 623049-04 | RT44 | 3 |

TABLE 2
LGM/LCM060, 074

| Cat. No. | Ass'y. No. | Sensor Yellow | Figure |
|----------|------------|---------------|--------|
| 22J06 | 623049-01 | RT46 | 2 |
| 22J07 | 623049-02 | RT42 | 2 |
| 22J08 | 623049-03 | RT48 | 3 |
| 22J09 | 623049-04 | RT44 | 3 |

TABLE 3
LGM/LCM092, 102, 120, 150

| Cat. No. | Ass'y. No. | Sensor Yellow, Blue | Figure |
|----------|------------|---------------------|--------|
| 22J06 | 623049-01 | RT46, 47 | 4 |
| 22J07 | 623049-02 | RT42, 43 | 4 |
| 22J08 | 623049-03 | RT48, 49 | 6 |
| 22J09 | 623049-04 | RT44, 45 | 5 |

TABLE 4
LGM/LCM156, 180

| Cat. No. | Ass'y. No. | Sensor Yel, Blue, Red | Figure |
|----------|------------|-----------------------|--------|
| 22J06 | 623049-01 | RT46, 47, 50 | 7 |
| 22J07 | 623049-02 | RT42, 43, 54 | 7 |
| 22J08 | 623049-03 | RT48, 49, 52 | 9 |
| 22J09 | 623049-04 | RT44, 45, 56 | 9 |

TABLE 5
LGM/LCM210

| Cat. No. | Ass'y. No. | Sensor Yel, Blu, Red, Grn | Figure |
|----------|------------|---------------------------|--------|
| 22J06 | 623049-01 | RT46, 47, 50, 51 | 8 |
| 22J07 | 623049-02 | RT42, 43, 54, 55 | 8 |
| 22J08 | 623049-03 | RT48, 49, 52, 53 | 10 |
| 22J09 | 623049-04 | RT44, 45, 56, 57 | 10 |

TABLE 6
LGM/LCM210

| Cat. No. | Ass'y. No. | Sensor Yel, Blu, Red, Grn | Figure |
|----------|------------|------------------------------|--------|
| 22J06 | 623049-01 | RT46, 47, 50, 51 | 8 |
| 22J07 | 623049-02 | RT42, 43, 54, 55 | 8 |
| 22J08 | 623049-03 | RT48, 49, 52, 53 | 11 |
| 22J09 | 623049-04 | RT44, 45, 56, 57 | 11 |

⚠WARNING

Improper installation, adjustment, alteration, service or maintenance can cause property damage, personal injury or loss of life. Installation and service must be performed by a licensed professional HVAC installer or equivalent, service agency, or the gas supplier.

⚠CAUTION

As with any mechanical equipment, contact with sharp sheet metal edges can result in personal injury. Take care while handling this equipment and wear gloves and protective clothing.

TABLE 7

LGT/LCT/LHT/LDT024, 036, 048, 060, 072

| Unit | Cat. No. | Ass'y. No. | Sensor Yellow | Figure |
|---------------------------|----------|------------|---------------|--------|
| LHT/LDT060 | 22J06 | 623049-01 | RT46 | 12 |
| LHT/LDT 024, 036, 048 | 22J06 | 623049-01 | RT46 | 13 |
| LGT/LCT036, 048, 060, 072 | 22J06 | 623049-01 | RT46 | 14 |
| LHT/LDT048 | 22J08 | 623049-03 | RT48 | 15 |
| LHT/LDT060 | 22J08 | 623049-03 | RT48 | 16 |
| LHT/LDT 024, 036 | 22J08 | 623049-03 | RT48 | 17 |
| LGT/LCT036, 048, 060, 072 | 23V50 | 623049-05 | RT48 | 18 |

TABLE 8
LGT/LCT156

| Cat. No. | Ass'y. No. | Sensor Yellow, Blue | Figure |
|----------|------------|------------------------|--------|
| 22J06 | 623049-01 | RT46, 47 | 19 |
| 23V50 | 623049-05 | RT48, 49 | 22 |

TABLE 9

LGT/LCT180

| Cat. No. | Ass'y. No. | Sensor Yellow, Blue, Red | Figure |
|----------|------------|-----------------------------|--------|
| 22J06 | 623049-01 | RT46, 47, 50 | 20 |
| 23V50 | 623049-05 | RT48, 49, 52 | 23 |

TABLE 10

LGT/LCT210, 240, 300

| Cat. No. | Ass'y. No. | Sensor Yel, Blue, Red, Grn | Figure |
|----------|------------|-------------------------------|--------|
| 22J06 | 623049-01 | RT46, 47, 50, 51 | 21 |
| 23V50 | 623049-05 | RT48, 49, 52, 53 | 24 |

TABLE 11

LGT/LCT092, 102, 120, 150

| Cat. No. | Ass'y. No. | Sensor Yellow, Blue | Figure |
|----------|------------|------------------------|--------|
| 22J06 | 623049-01 | RT46, 47 | 25 |
| 23V50 | 623049-05 | RT48, 49 | 26 |

TABLE 12

LHT/LDT078, 092, 102, 122, 150

| Cat. No. | Ass'y. No. | Sensor Yellow, Blue | Figure |
|----------|------------|------------------------|--------|
| 22J06 | 623049-01 | RT46, 47 | 27 |
| 22J08 | 623049-03 | RT48, 49 | 28 |

TABLE 13

LHT/LDT156, 180, 240

| Cat. No. | Ass'y. No. | Sensor Yellow, Blue | Figure |
|----------|------------|------------------------|--------|
| 22J06 | 623049-01 | RT46, 47 | 29 |
| 22J08 | 623049-03 | RT48, 49 | 30 |

LGM/LCM036 & 048
THREE-ROW EVAPORATOR COIL
(VIEW FROM FRONT SIDE OF UNIT)
RT42 & 46

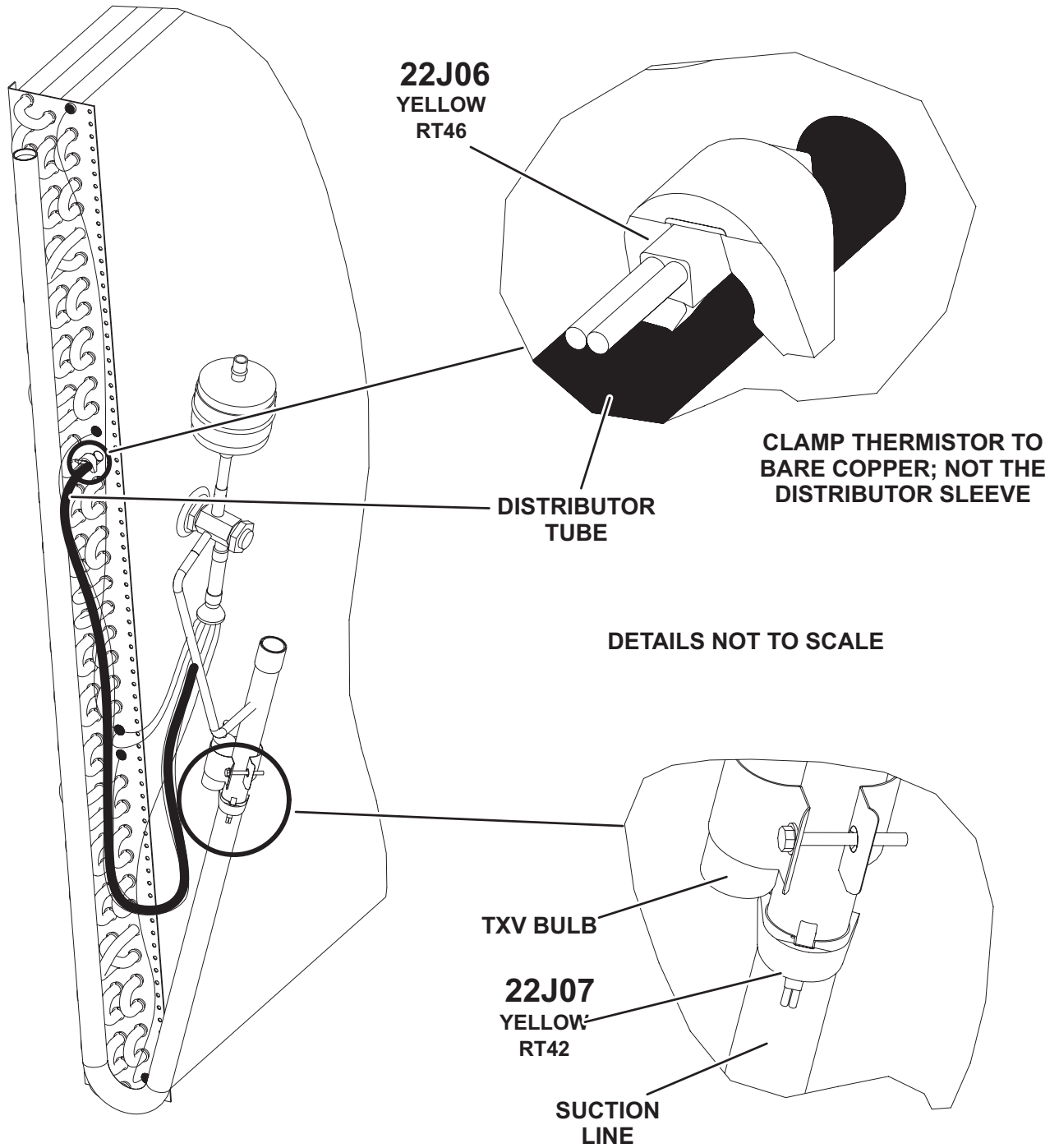


FIGURE 1

LGM/LCM060 & 074
FOUR-ROW EVAPORATOR COIL
(VIEW FROM FRONT SIDE OF UNIT)
RT42 & 46

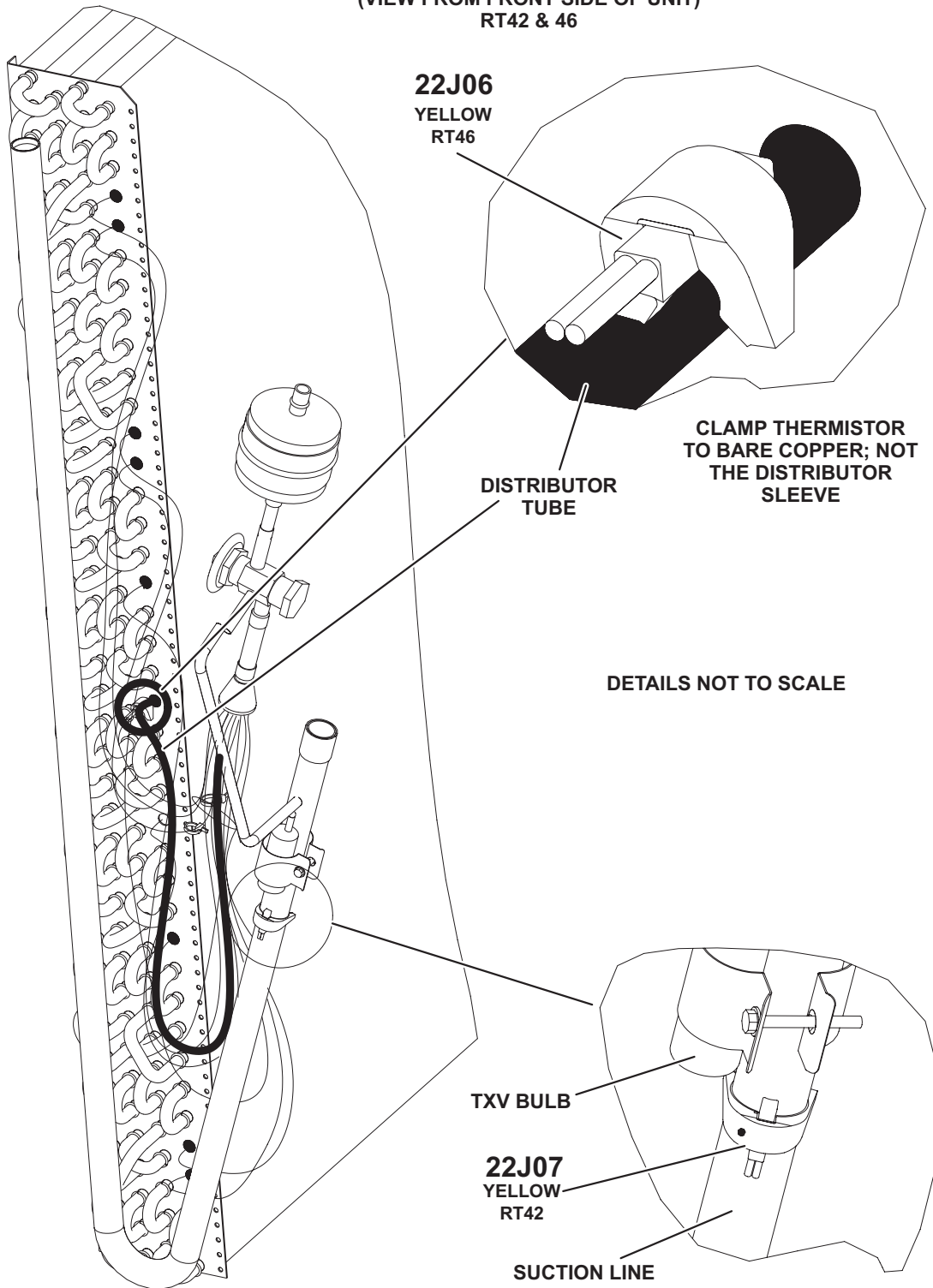


FIGURE 2

LGM/LCM036, 048, 060, 074
CONDENSER COIL
(VIEW FROM FRONT SIDE OF UNIT)
RT44 & RT48

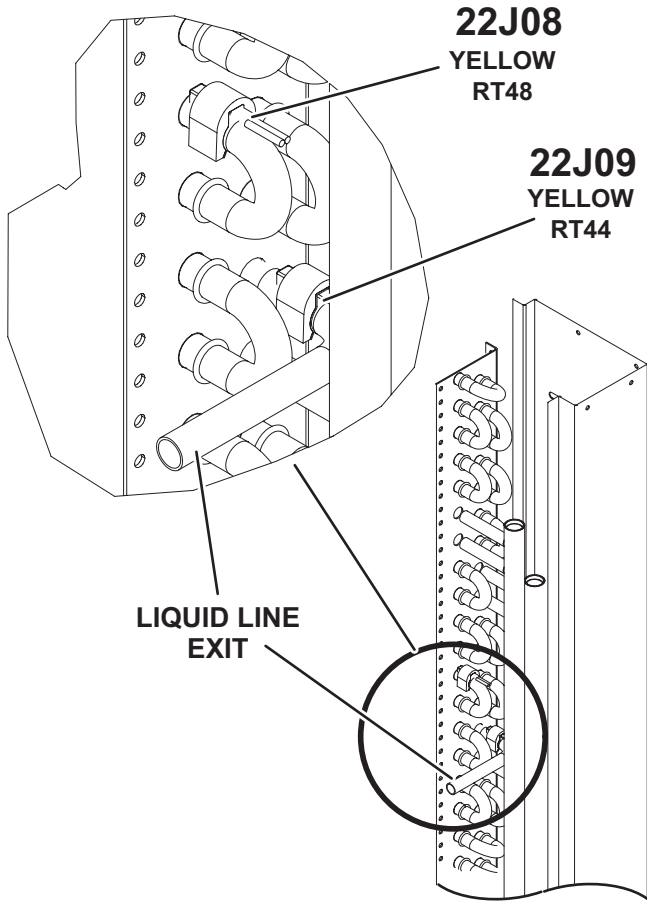


FIGURE 3

LGM/LCM092-150
CONDENSER COIL
(VIEW FROM FRONT SIDE OF UNIT)
RT42, 43, 46, 47

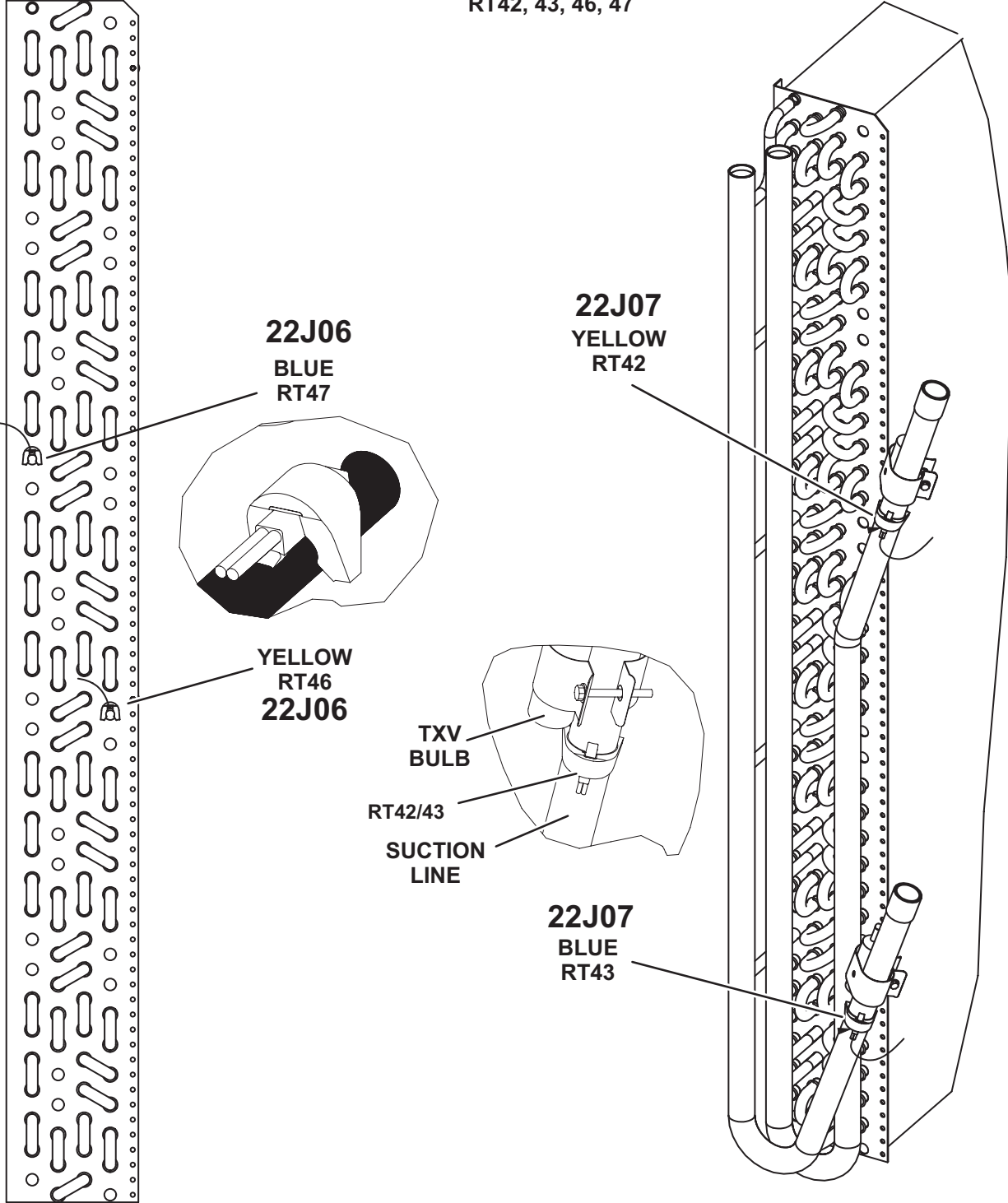


FIGURE 4

LGM/LCM092, 102, 120, 150
(VIEW FROM FRONT SIDE OF UNIT)
RT44 & 45

092, 102 CONDENSER COIL-
BEFORE SEPTEMBER 2022

092, 102 CONDENSER COIL
AFTER SEPTEMBER 2022
AND
120, 150 CONDENSER COIL

22J09
YELLOW
RT44

BLUE
RT45
22J09

RT44 & 45

22J09
BLUE
RT45

22J09
YELLOW
RT44

FIGURE 5

LGM/LCM092, 102, 120, 150
(VIEW FROM FRONT SIDE OF UNIT)
RT48 & 49

092, 102 CONDENSER COIL

120, 150 CONDENSER COIL

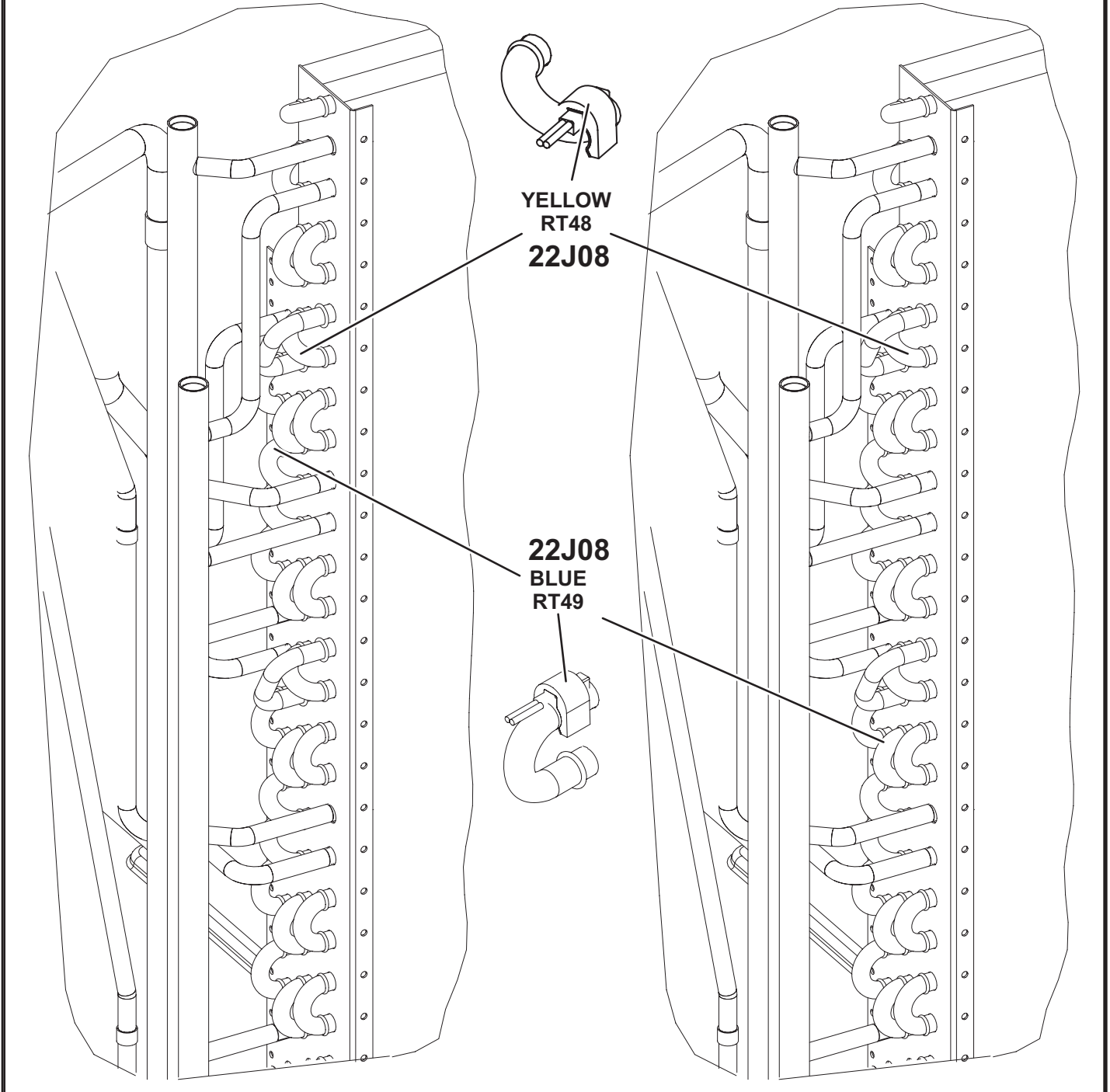


FIGURE 6

**LGM/LCM156, 180
THREE-ROW EVAPORATOR COIL
RT42, RT43, RT46, RT47, RT50, RT54**

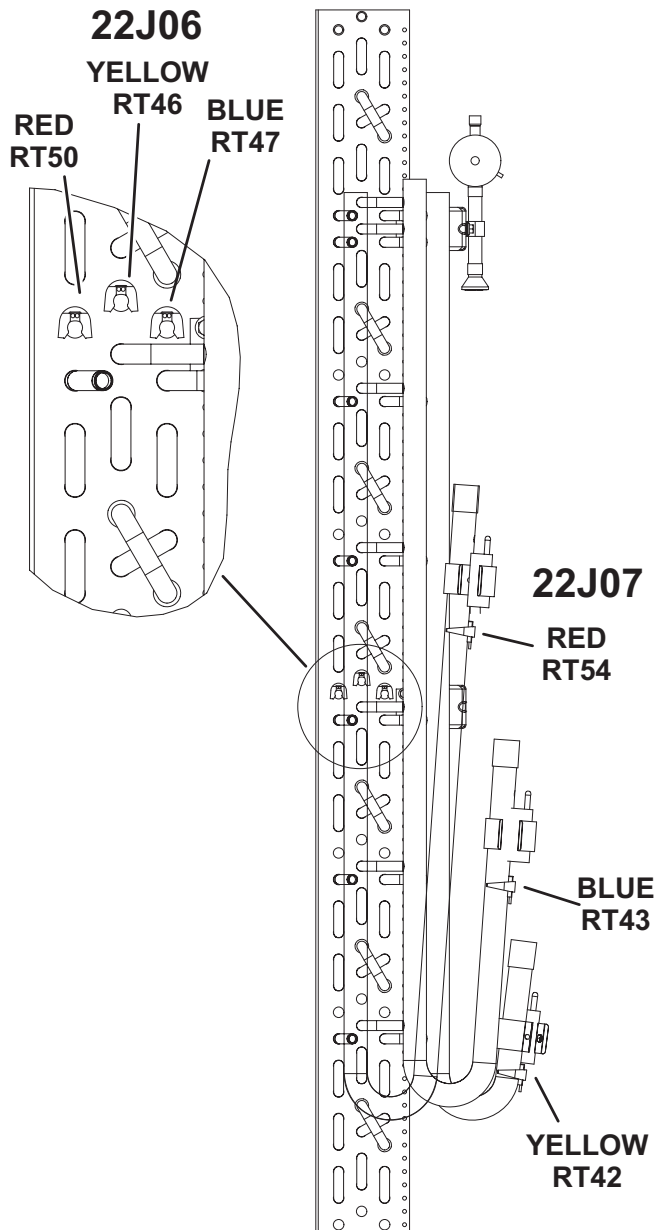


FIGURE 7

**LGM/LCM210, 240, 300
FOUR-ROW EVAPORATOR COIL
RT42, RT43, RT46, RT47, RT50, RT51, RT54, RT55**

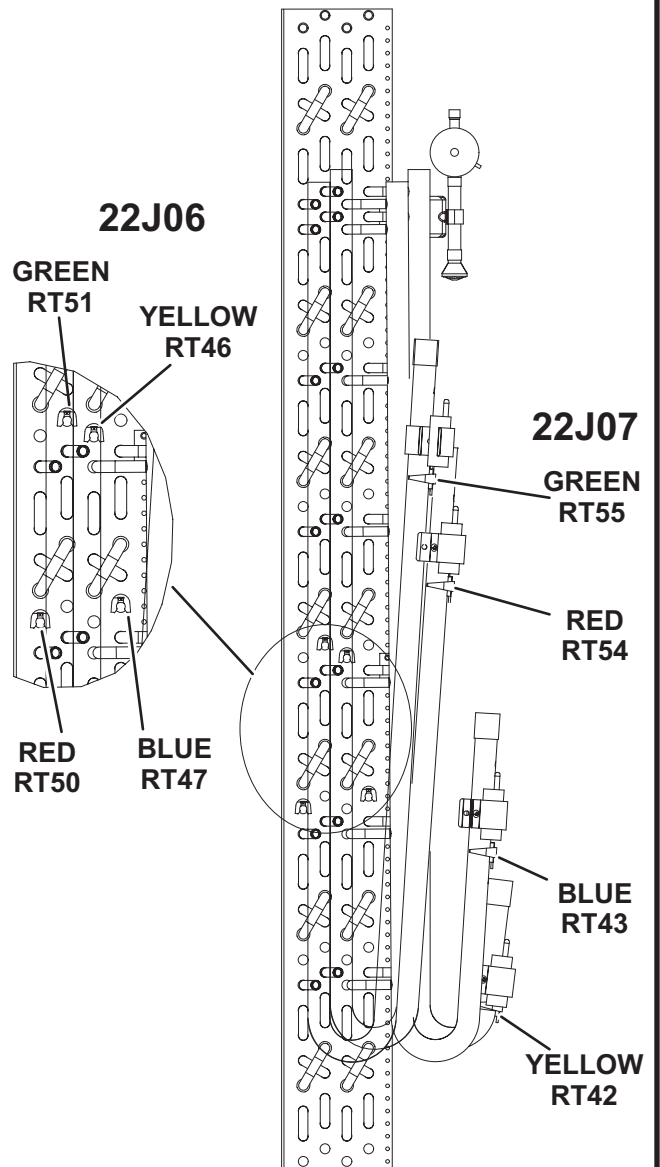


FIGURE 8

LGM/LCM156, 180
CONDENSOR COIL
RT44, RT45, RT48, RT49, RT52, RT56

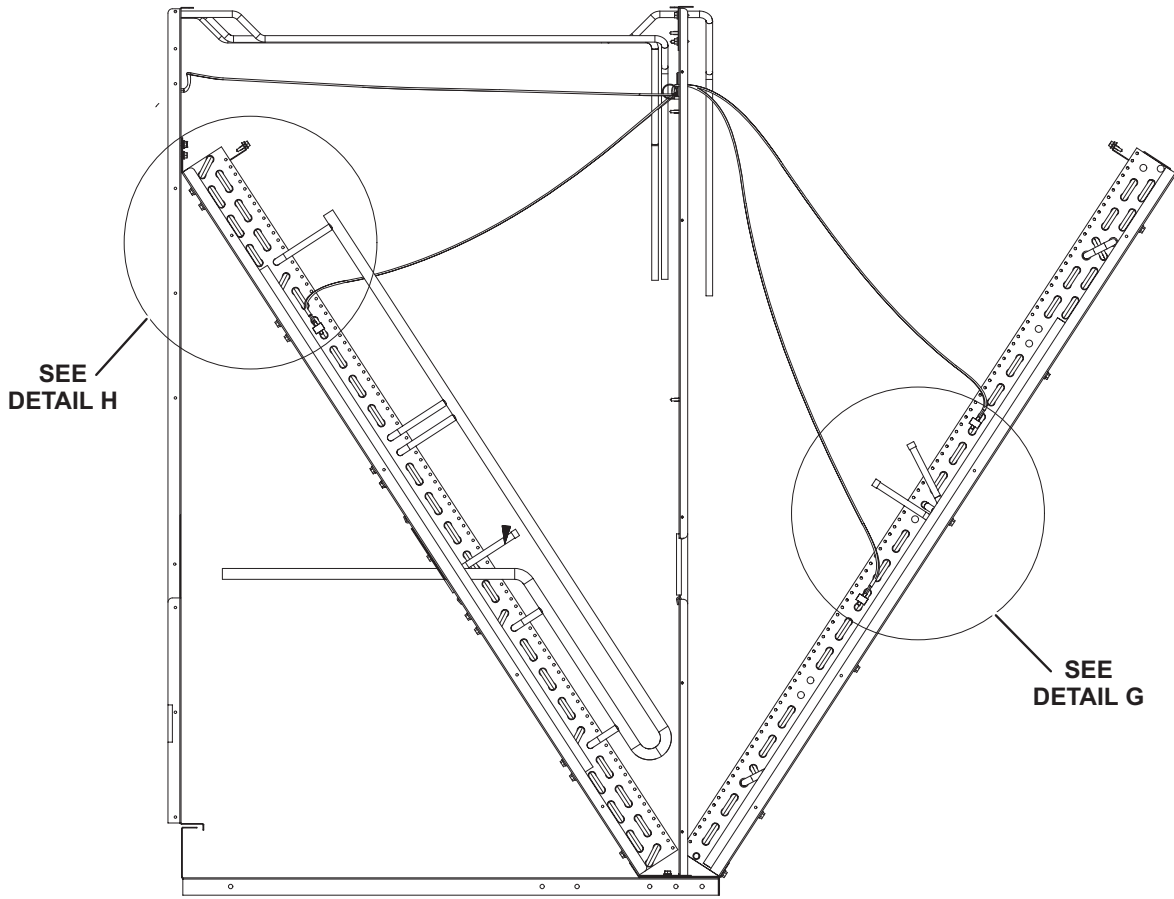
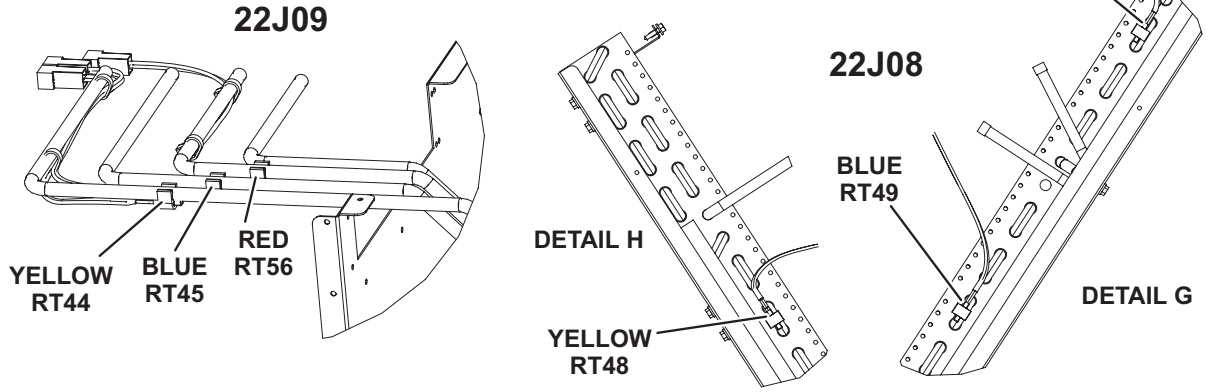


FIGURE 9

LGM/LCM210
CONDENSOR COIL
RT44, RT45, RT48, RT49, RT52, RT53, RT56, RT57

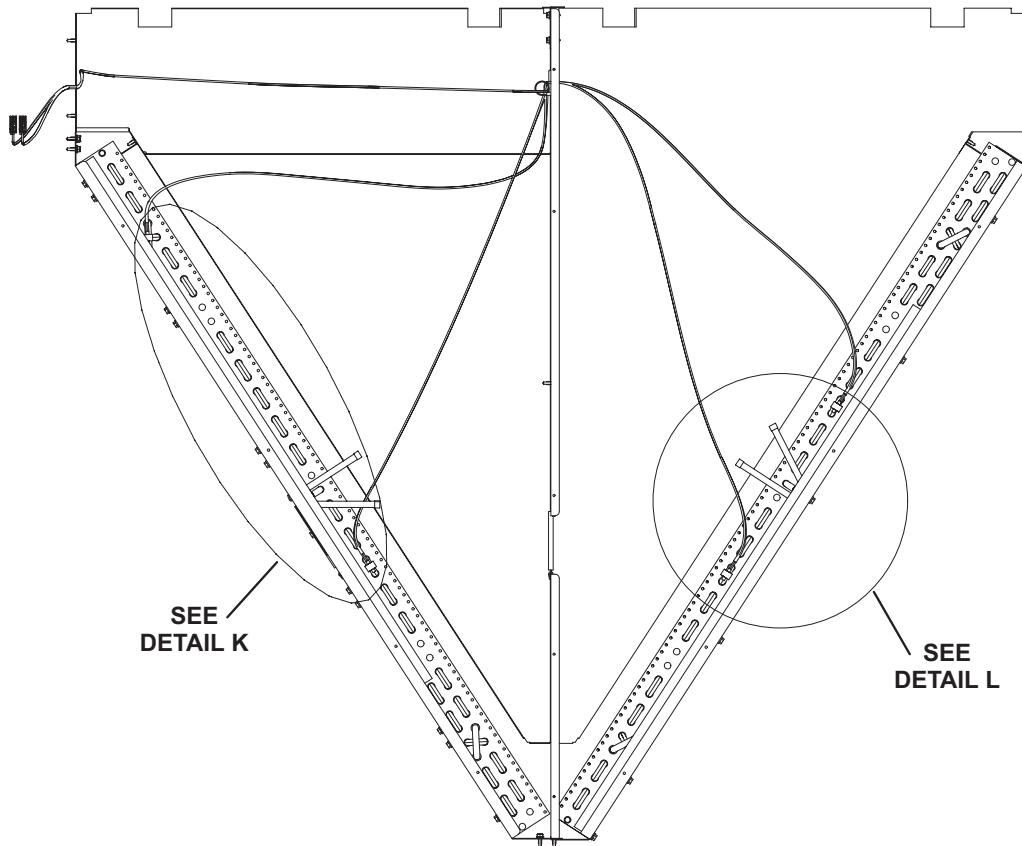
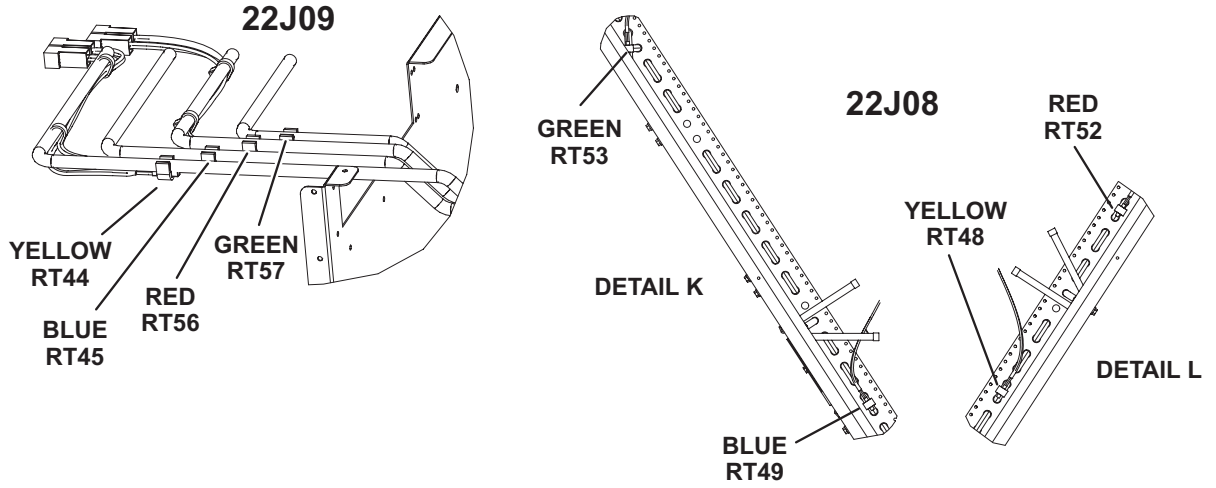


FIGURE 10

LGM/LCM240, 300
CONDENSOR COIL
RT44, RT45, RT48, RT49, RT52, RT53, RT56, RT57

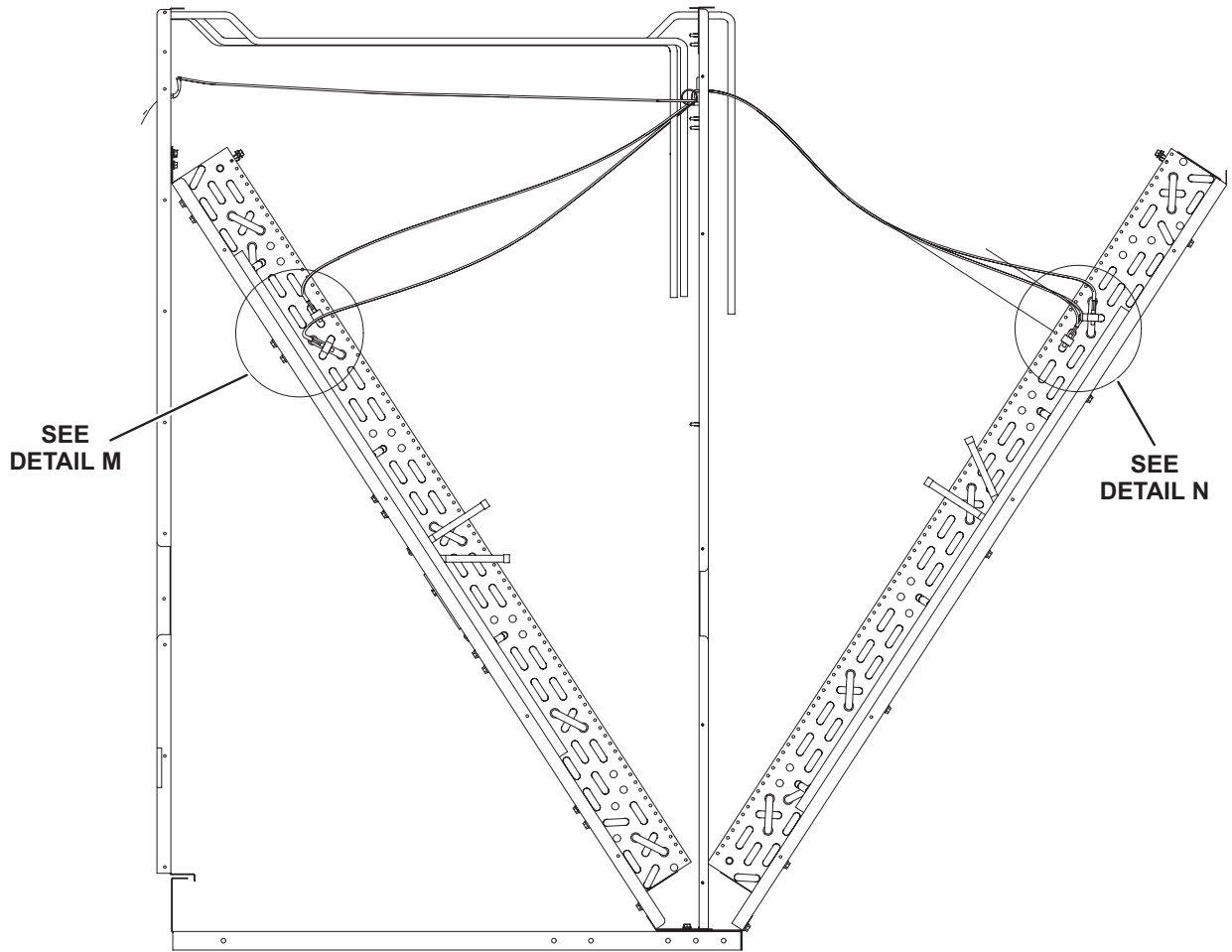
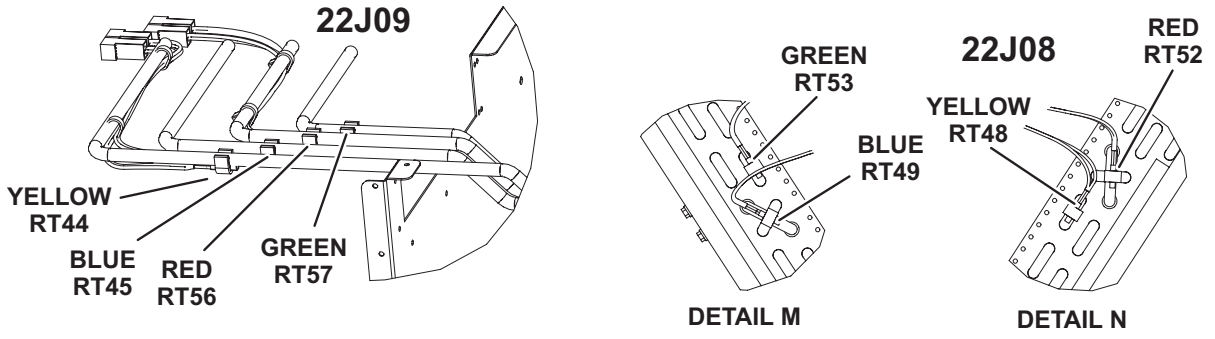
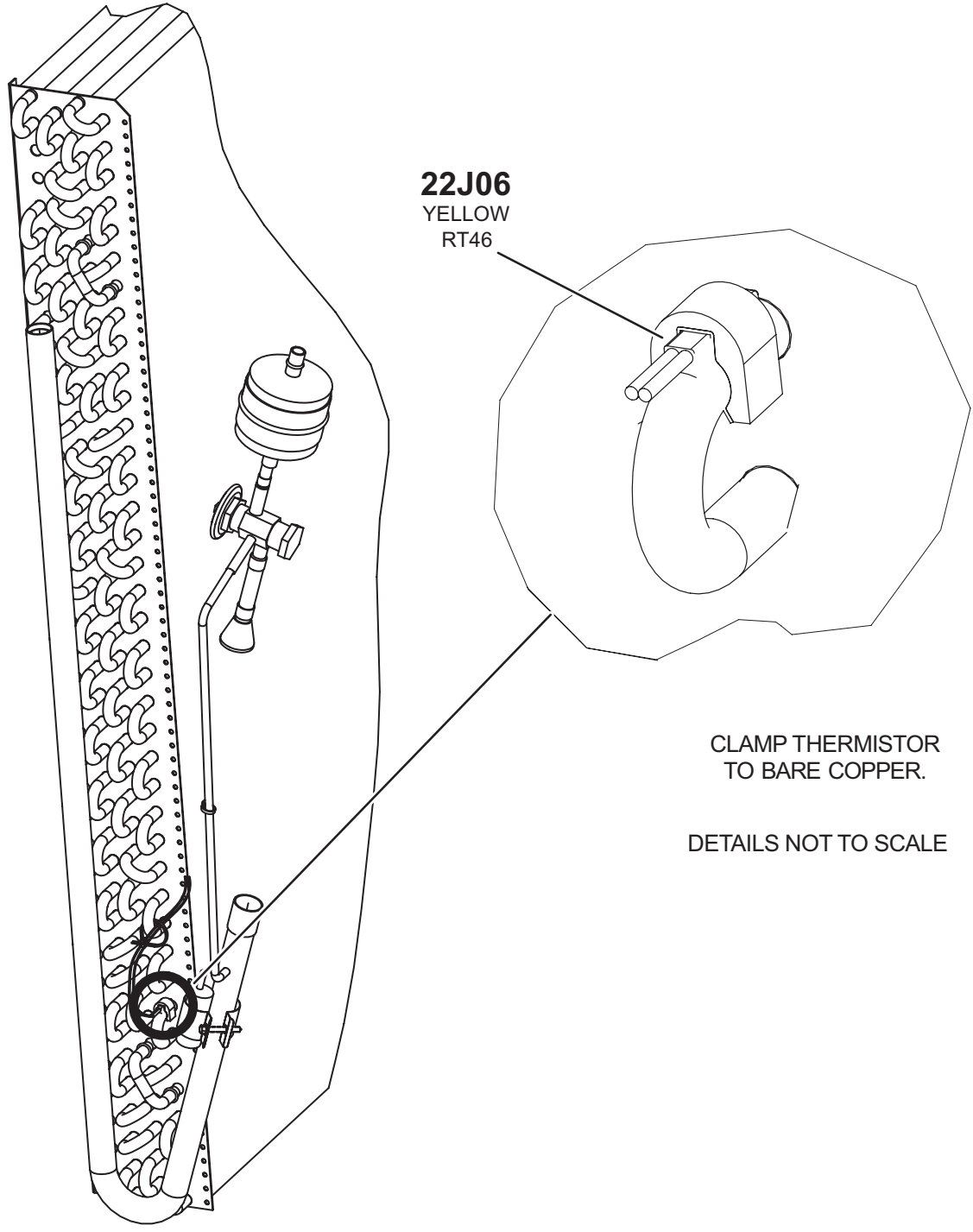


FIGURE 11

LHT/LDT060
INDOOR COIL
RT46



22J06
YELLOW
RT46

CLAMP THERMISTOR
TO BARE COPPER.

DETAILS NOT TO SCALE

FIGURE 12

LHT/LDT024, 036, 048
INDOOR COIL
RT46

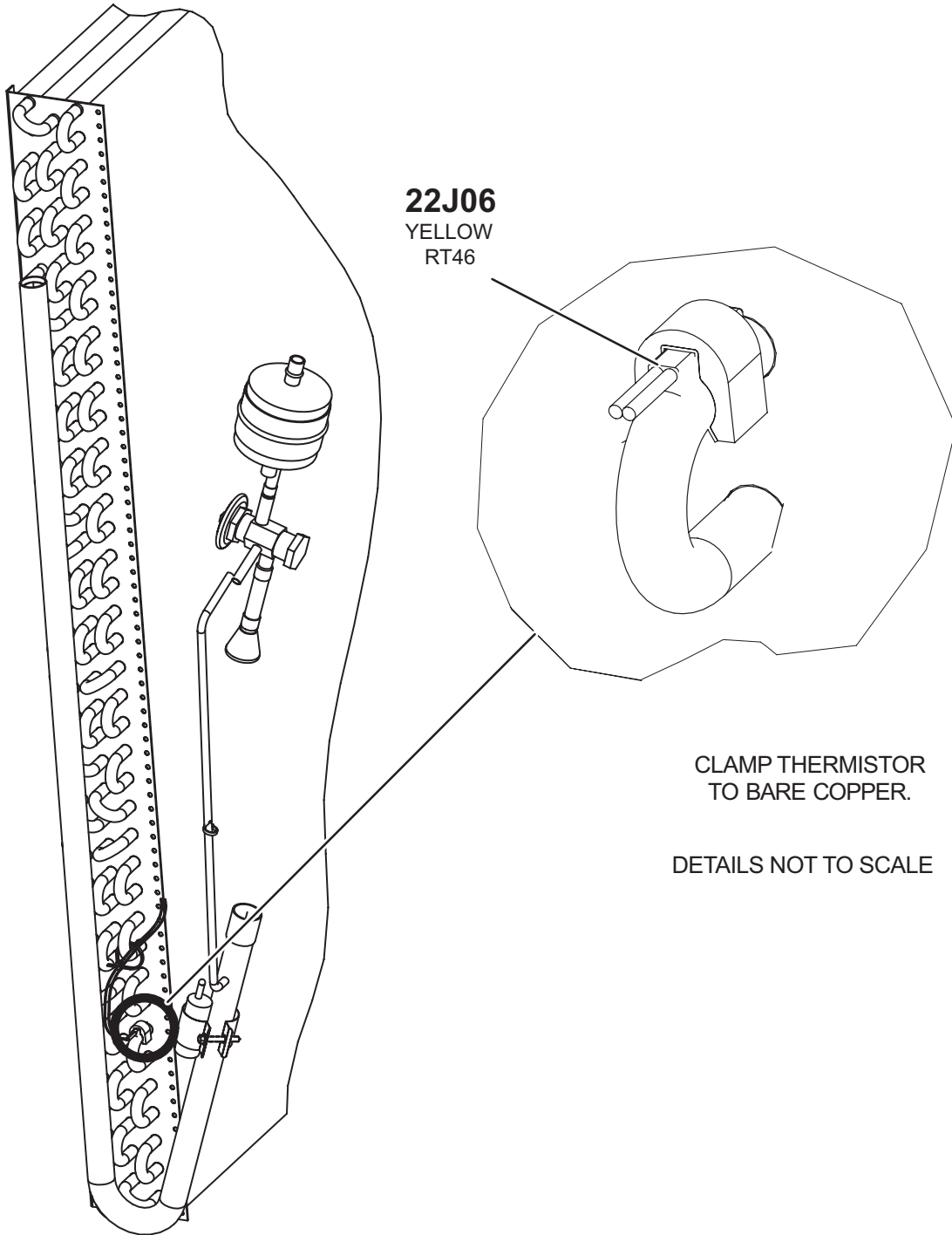
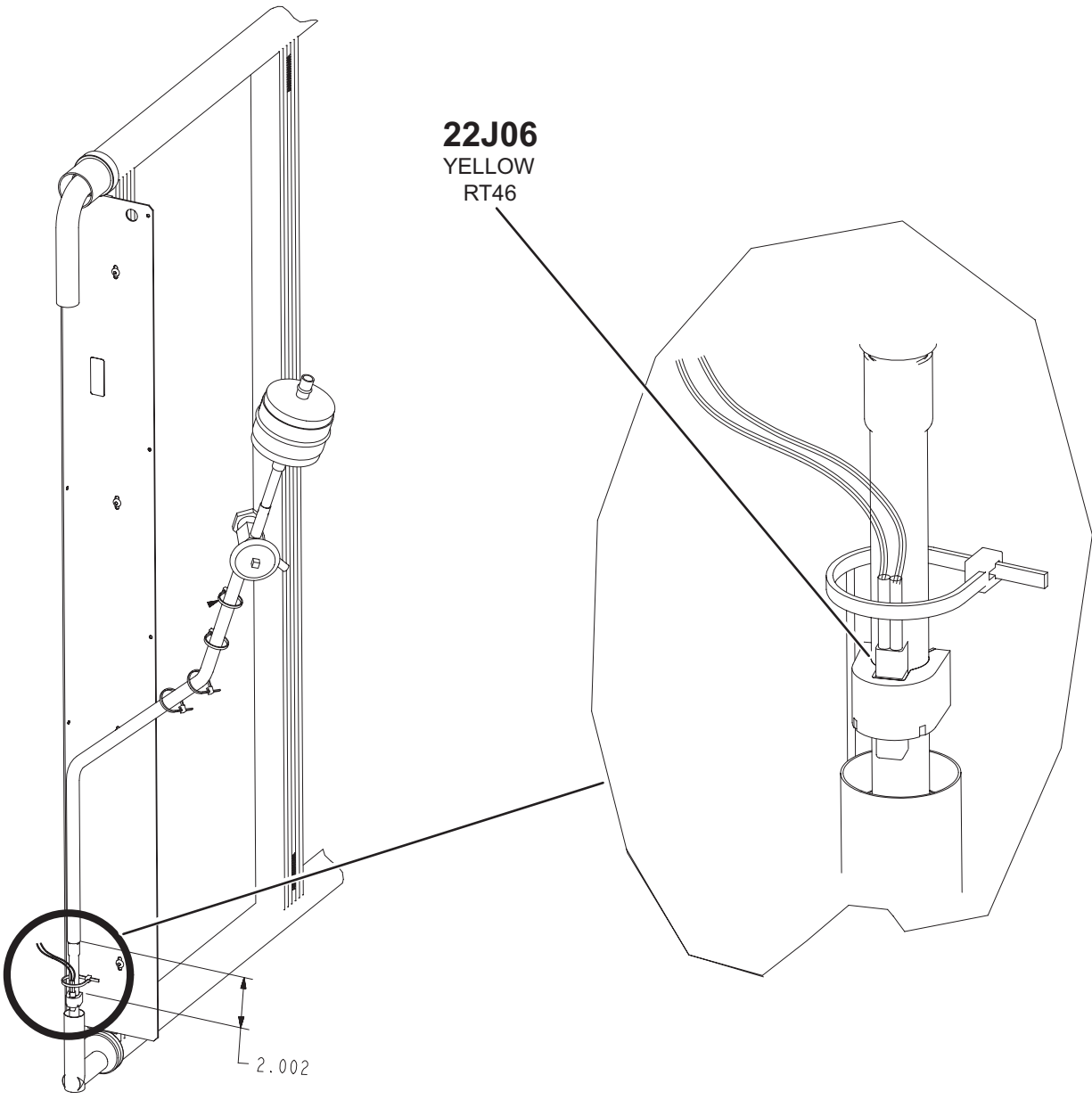


FIGURE 13

LGT/LCT 036, 048, 060, 072
EVAPORATOR COIL
RT46



CLAMP THERMISTOR
TO BARE COPPER.

DETAILS NOT TO SCALE

FIGURE 14

LHT/LDT048
OUTDOOR COIL
RT48

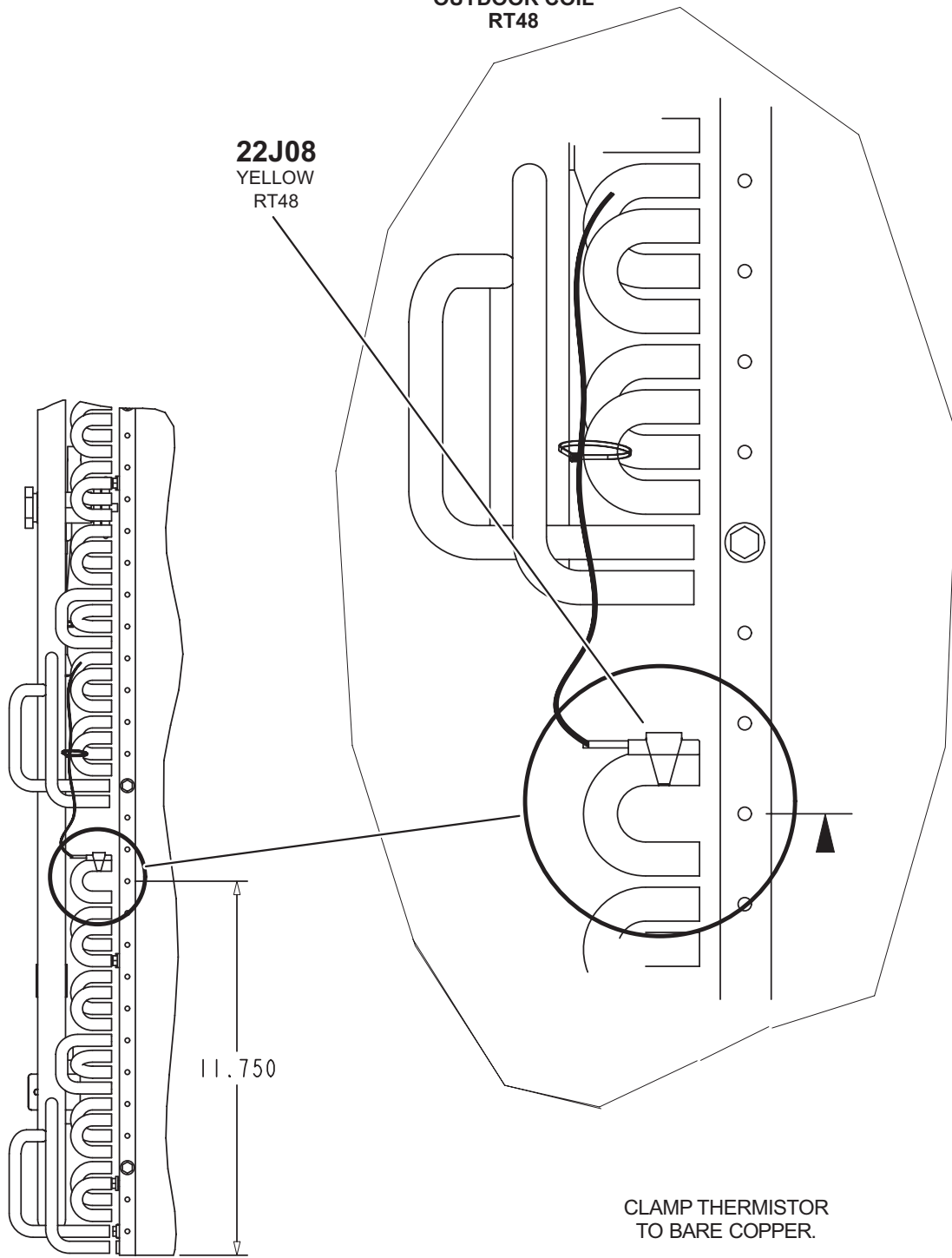


FIGURE 15

LHT/LDT060
OUTDOOR COIL
RT48

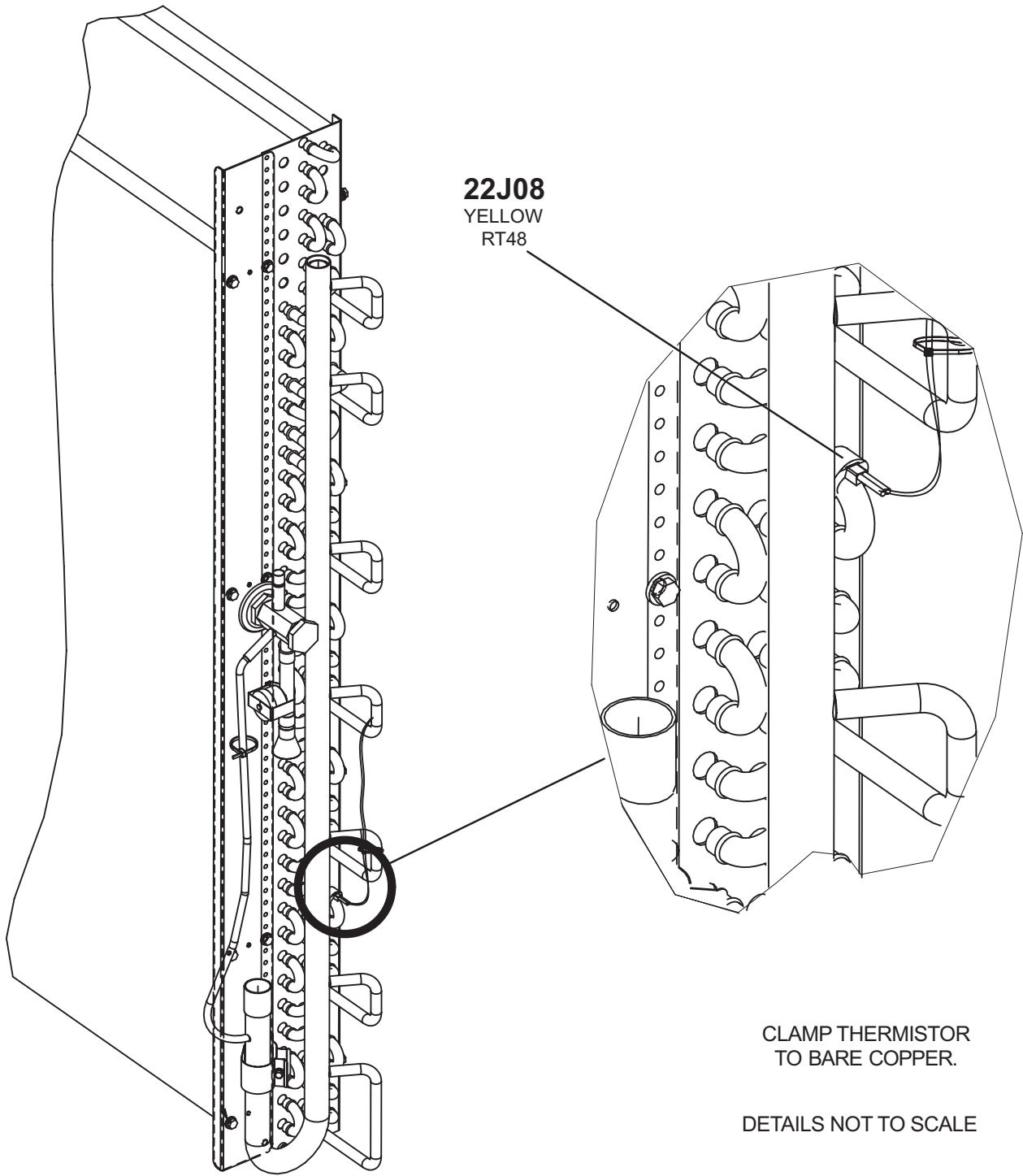


FIGURE 16

LHT/LDT024, 036
OUTDOOR COIL
RT48

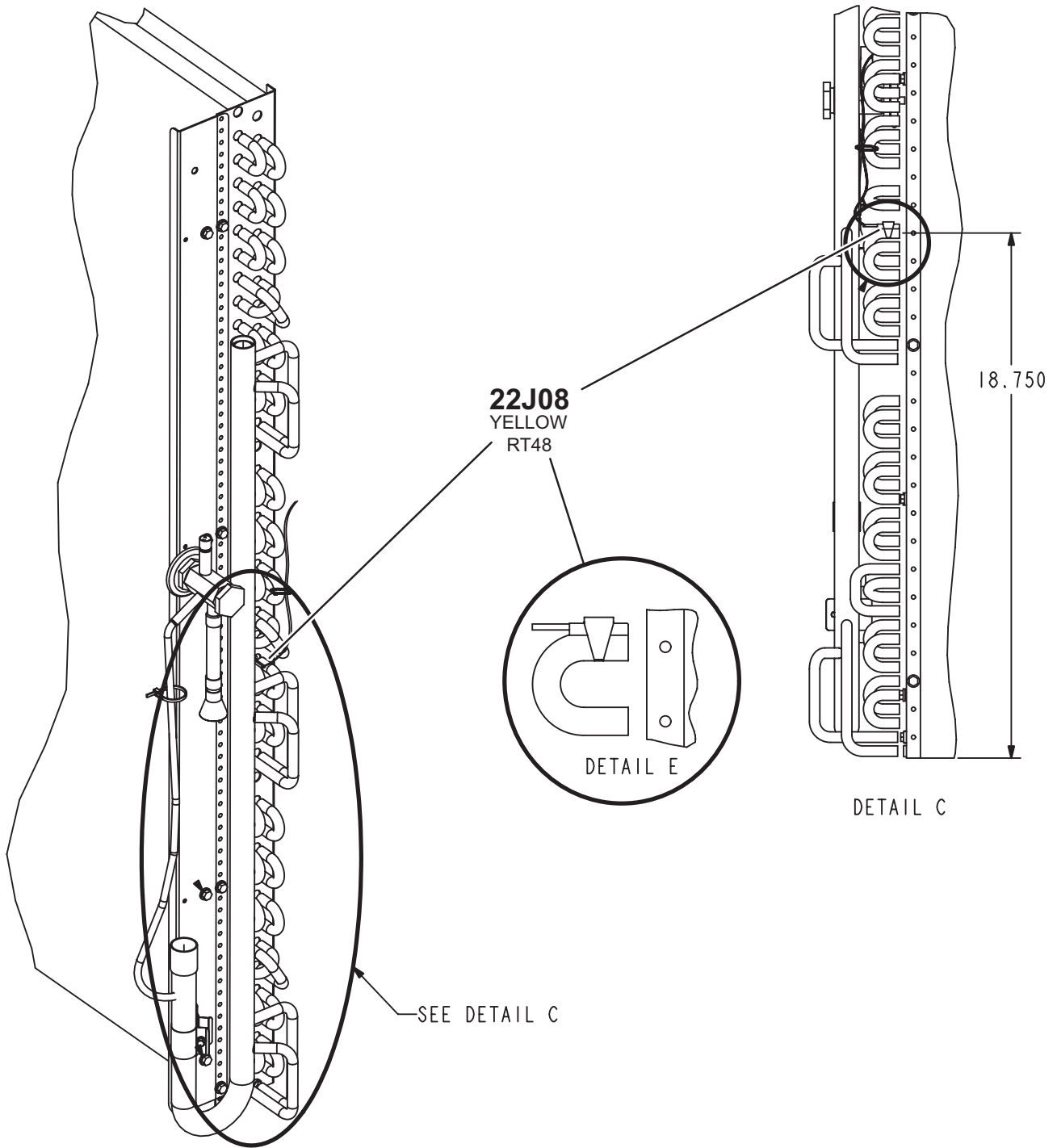


FIGURE 17

LGT/LCT036, 048, 060, 072
CONDENSER COIL
RT48

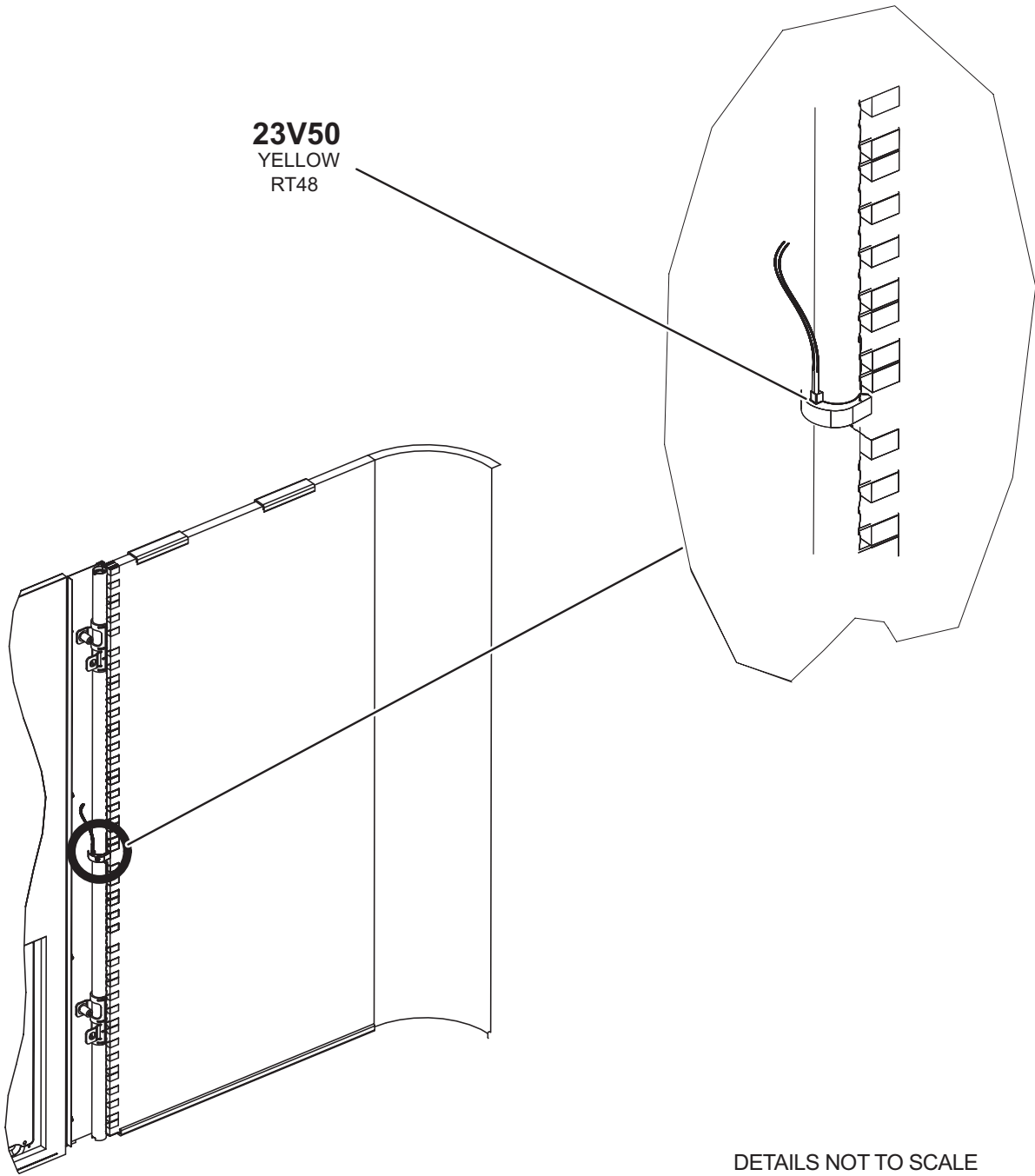


FIGURE 18

LGT/LCT156
EVAPORATOR COIL
(RT46, 47)

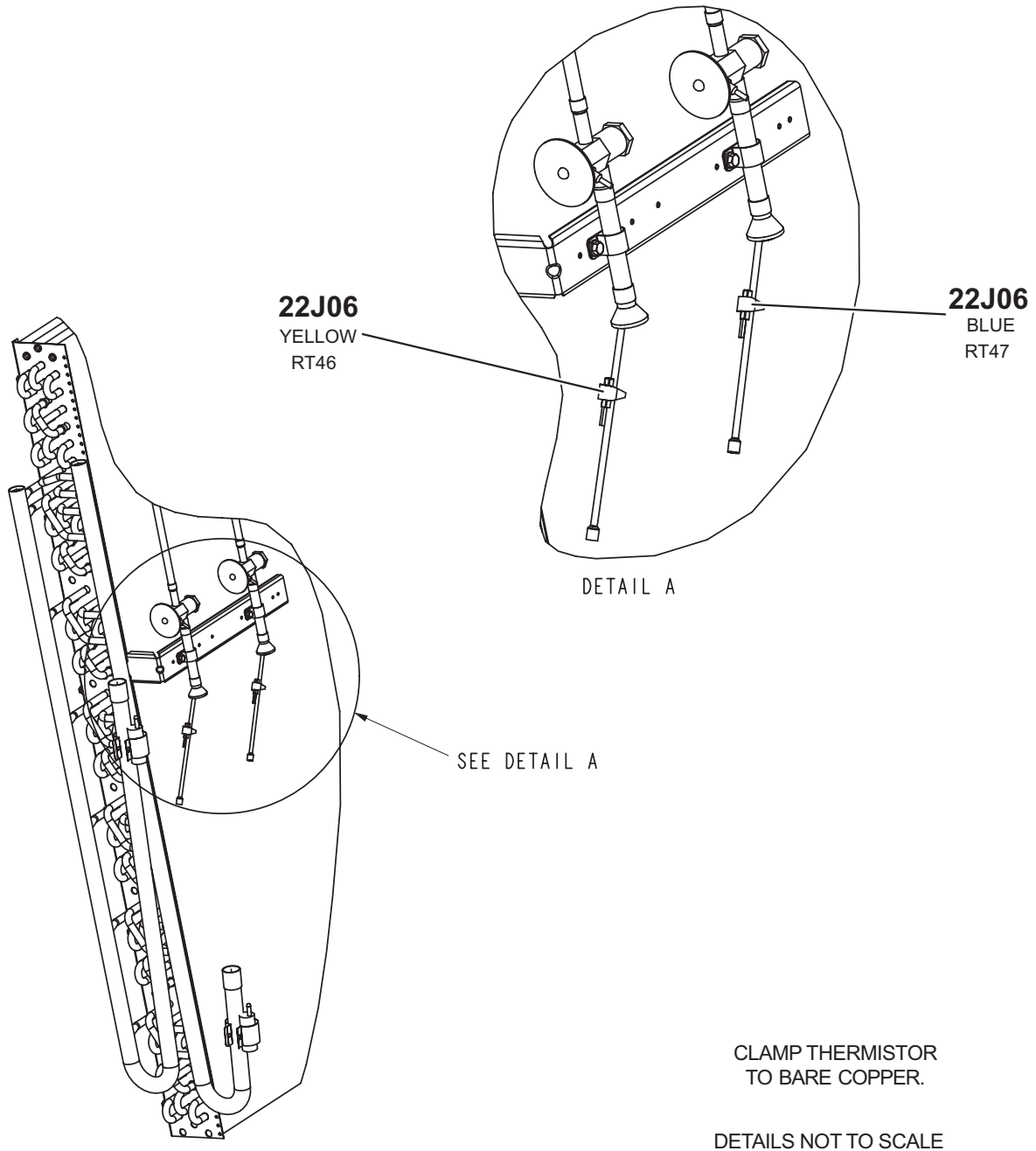


FIGURE 19

LGT/LCT180
EVAPORATOR COIL
RT46, 47, 50

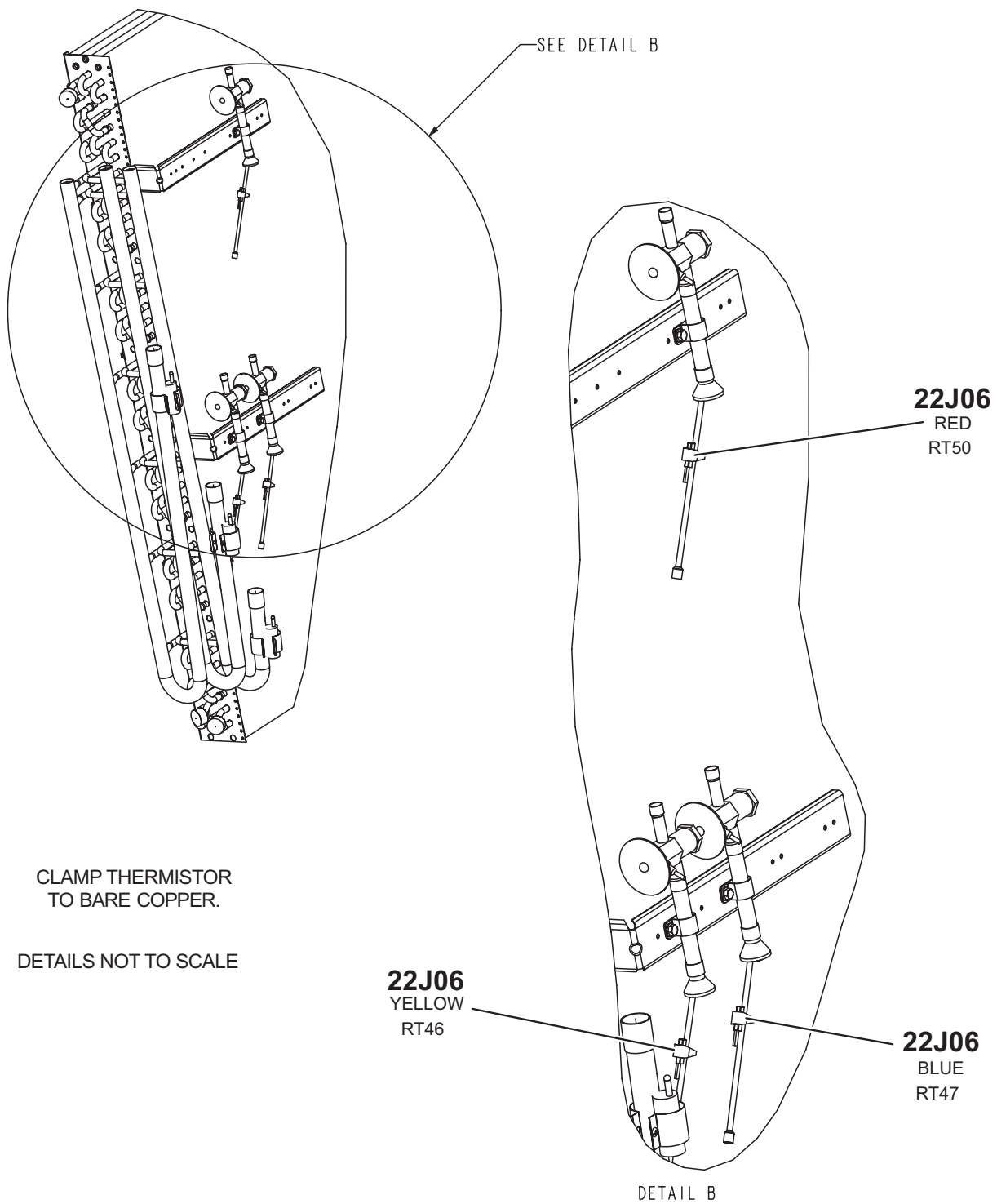


FIGURE 20

LGT/LCT210, 240, 300
EVAPORATOR COIL
RT46, 47, 50, 51

SEE DETAIL C

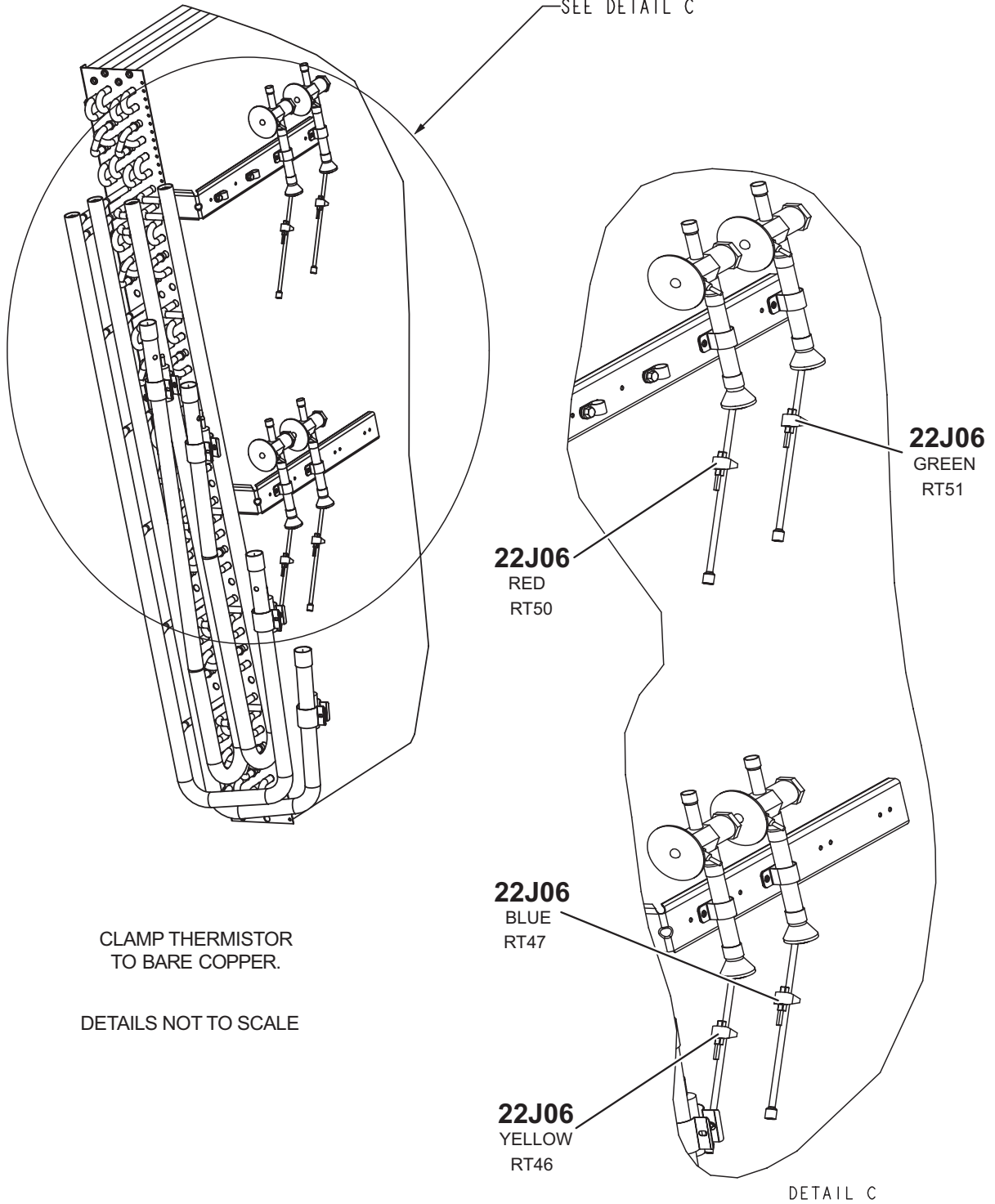
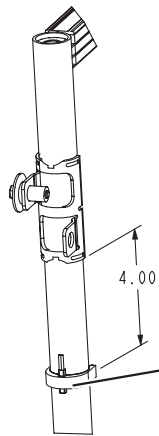
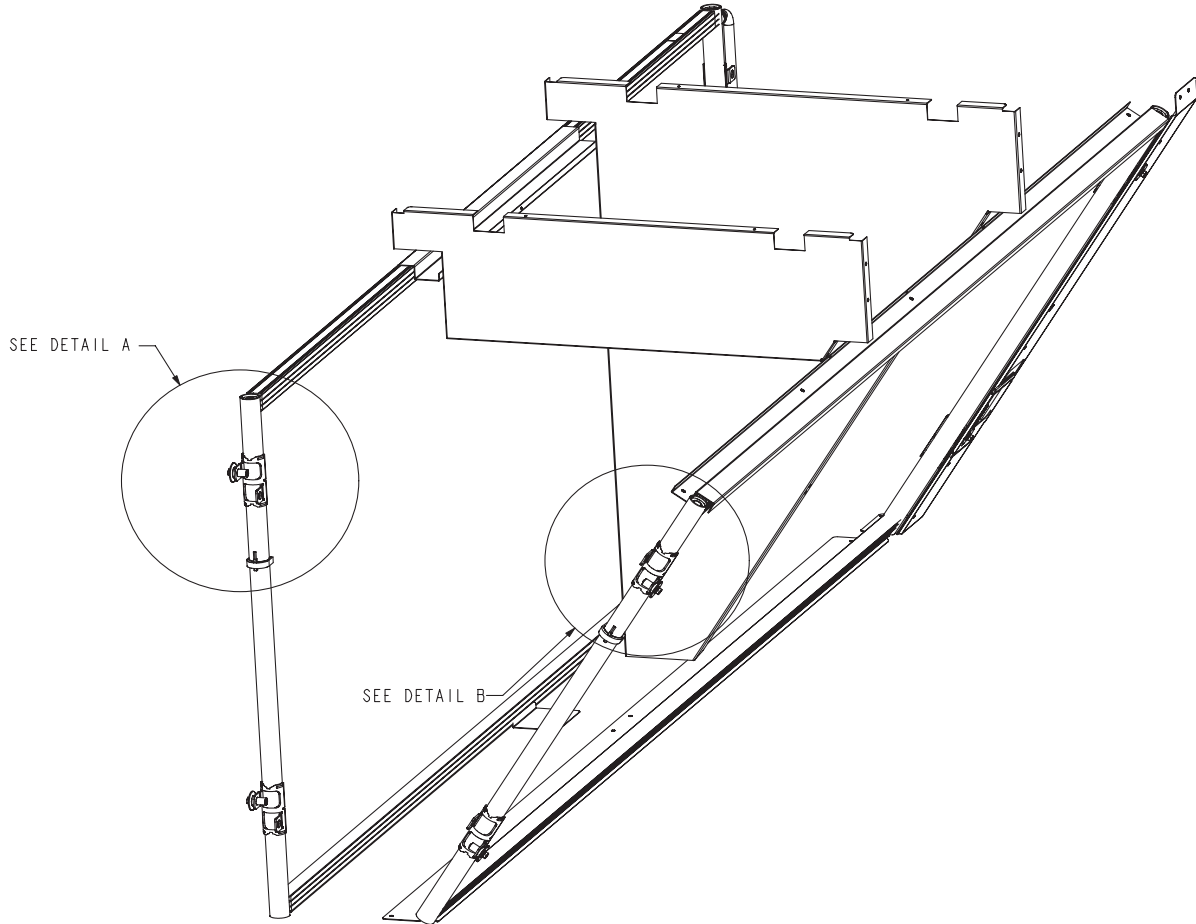


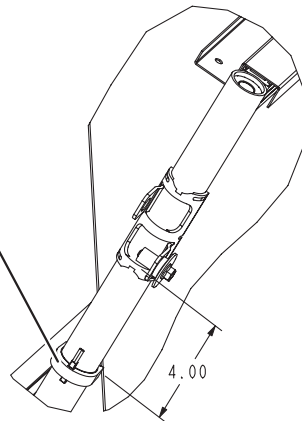
FIGURE 21

LGT/LCT156
CONDENSER / OUTDOOR COIL
(RT48, 49)



DETAIL A

23V50
BLUE
RT49



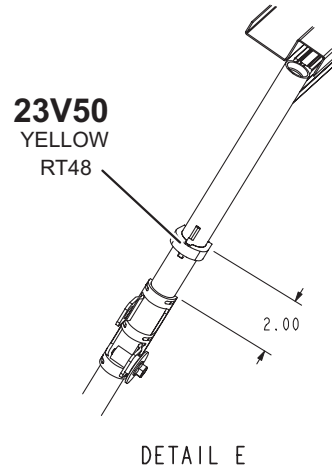
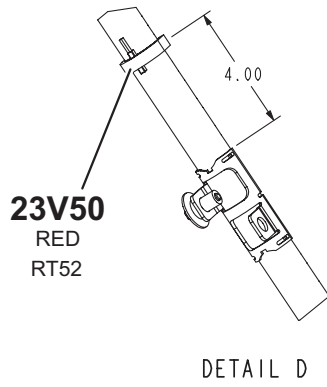
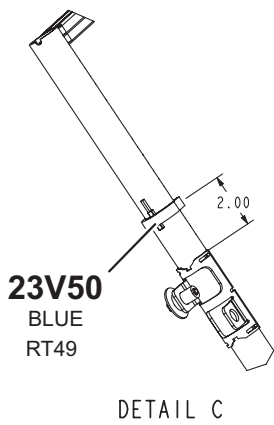
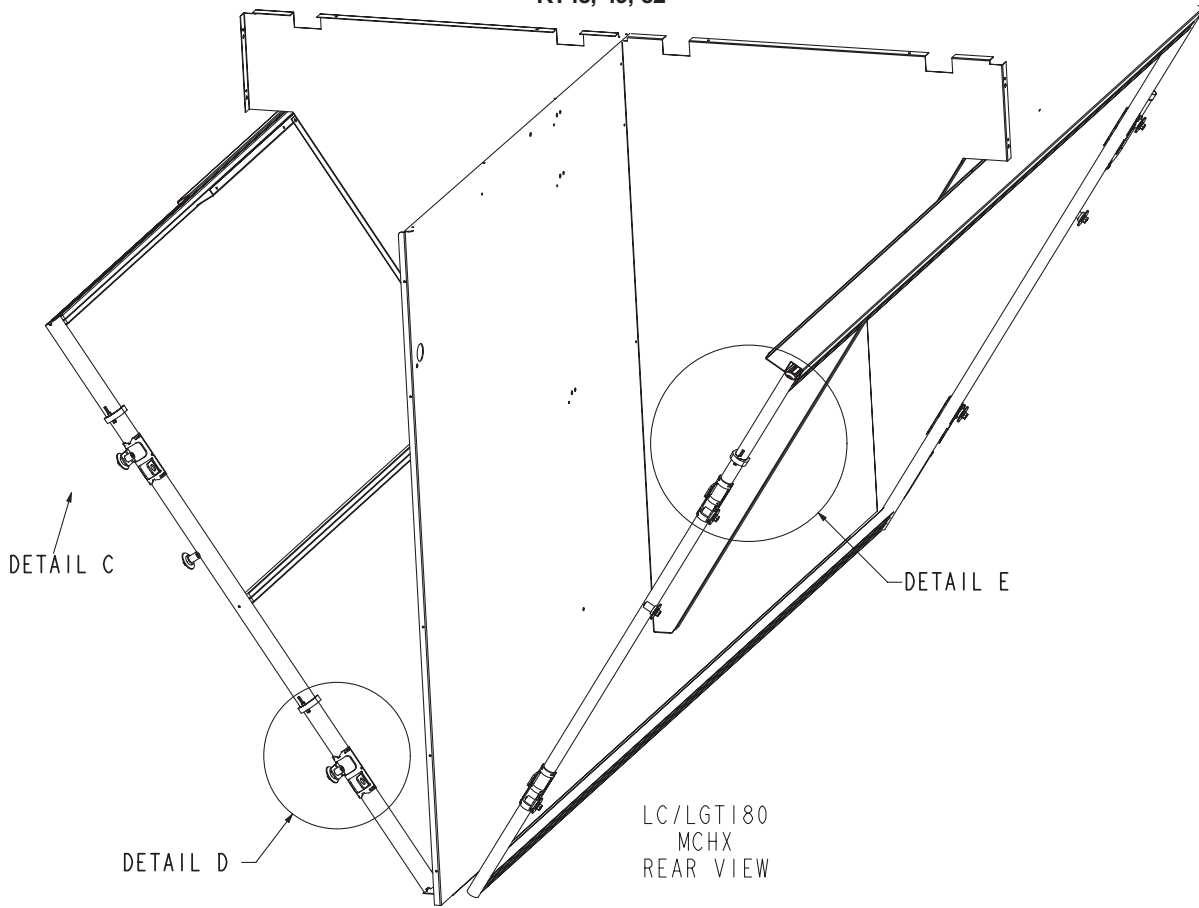
DETAIL B

CLAMP THERMISTOR
TO BARE COPPER.

DETAILS NOT TO SCALE

FIGURE 22

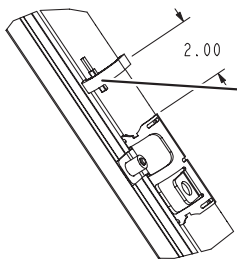
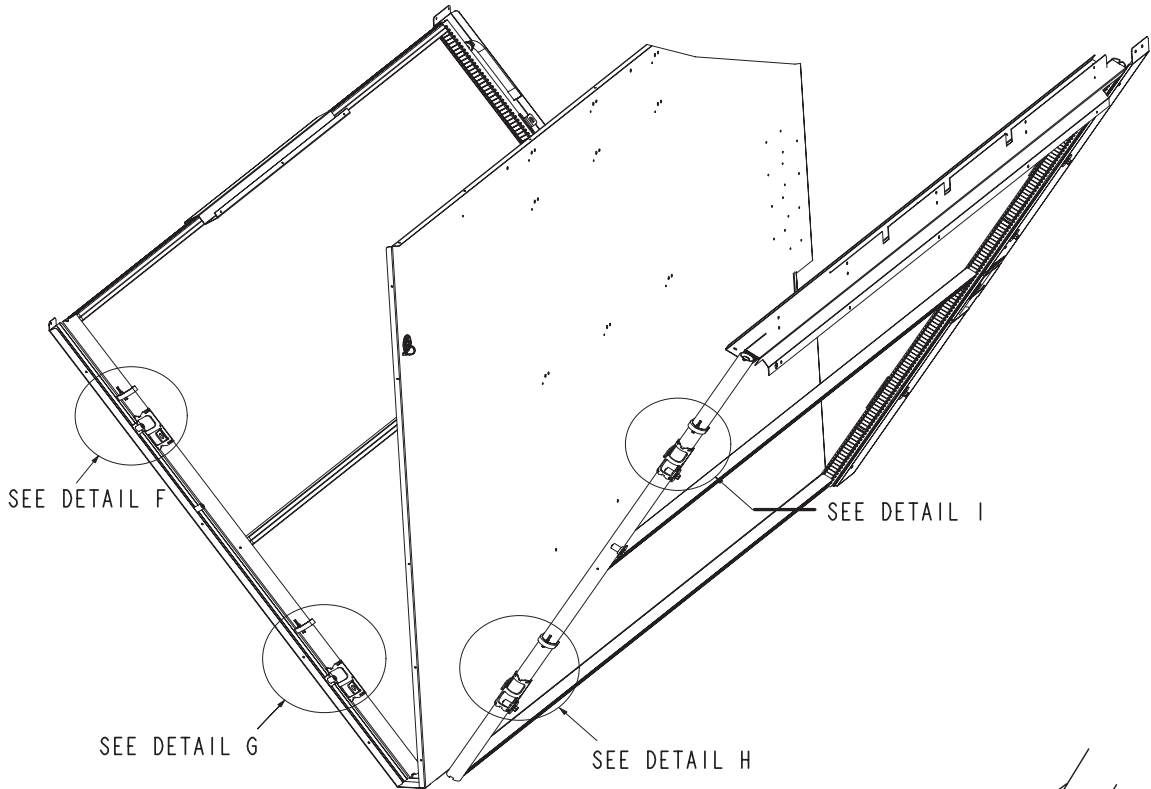
LGT/LCT180
CONDENSER / OUTDOOR COIL
RT48, 49, 52



DETAILS NOT TO SCALE

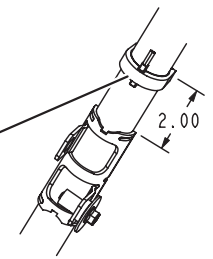
FIGURE 23

LGT/LCT210, 240, 300
 CONDENSER / OUTDOOR COIL
 RT48, 49, 52, 53



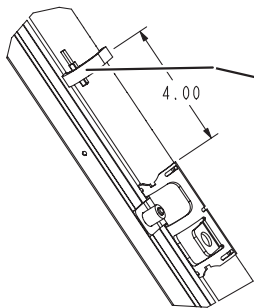
23V50
 BLUE
 RT49

SEE DETAIL F



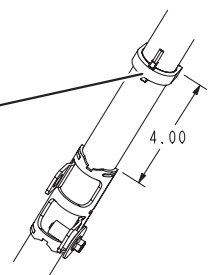
23V50
 GREEN
 RT53

SEE DETAIL I



23V50
 YELLOW
 RT48

SEE DETAIL G



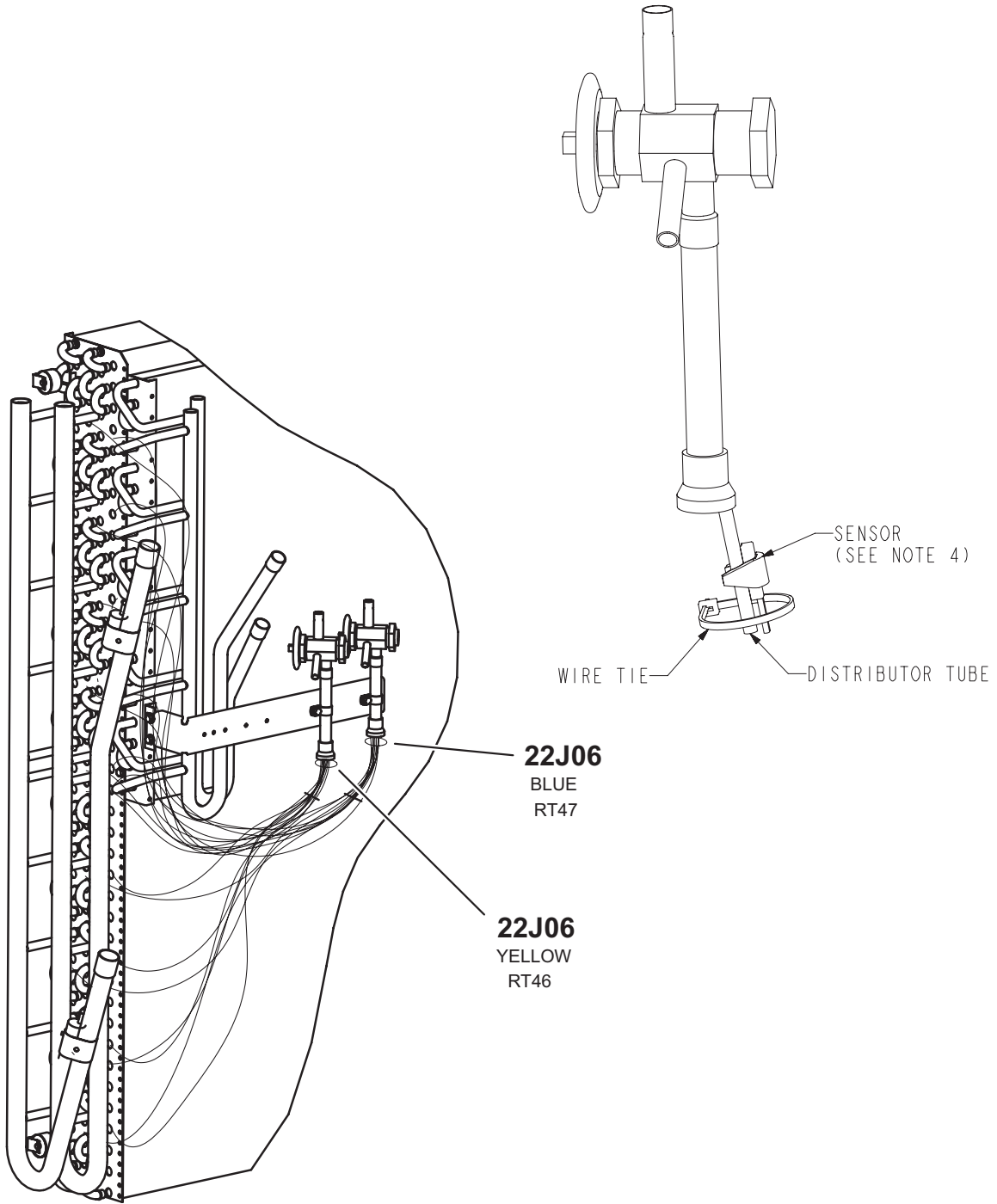
23V50
 RED
 RT52

SEE DETAIL H

DETAILS NOT TO SCALE

FIGURE 24

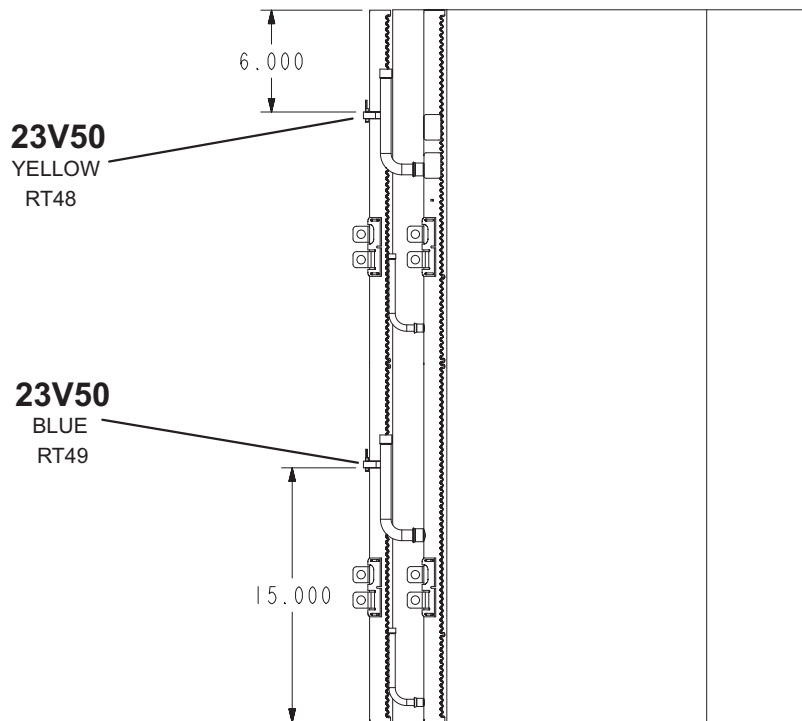
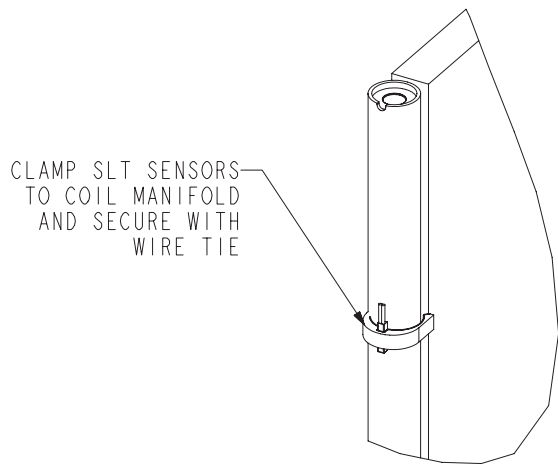
THERMISTOR LOCATION - LGT/LCT092, 102, 122, 150
EVAPORATOR COIL
RT46, RT47



DETAILS NOT TO SCALE

FIGURE 25

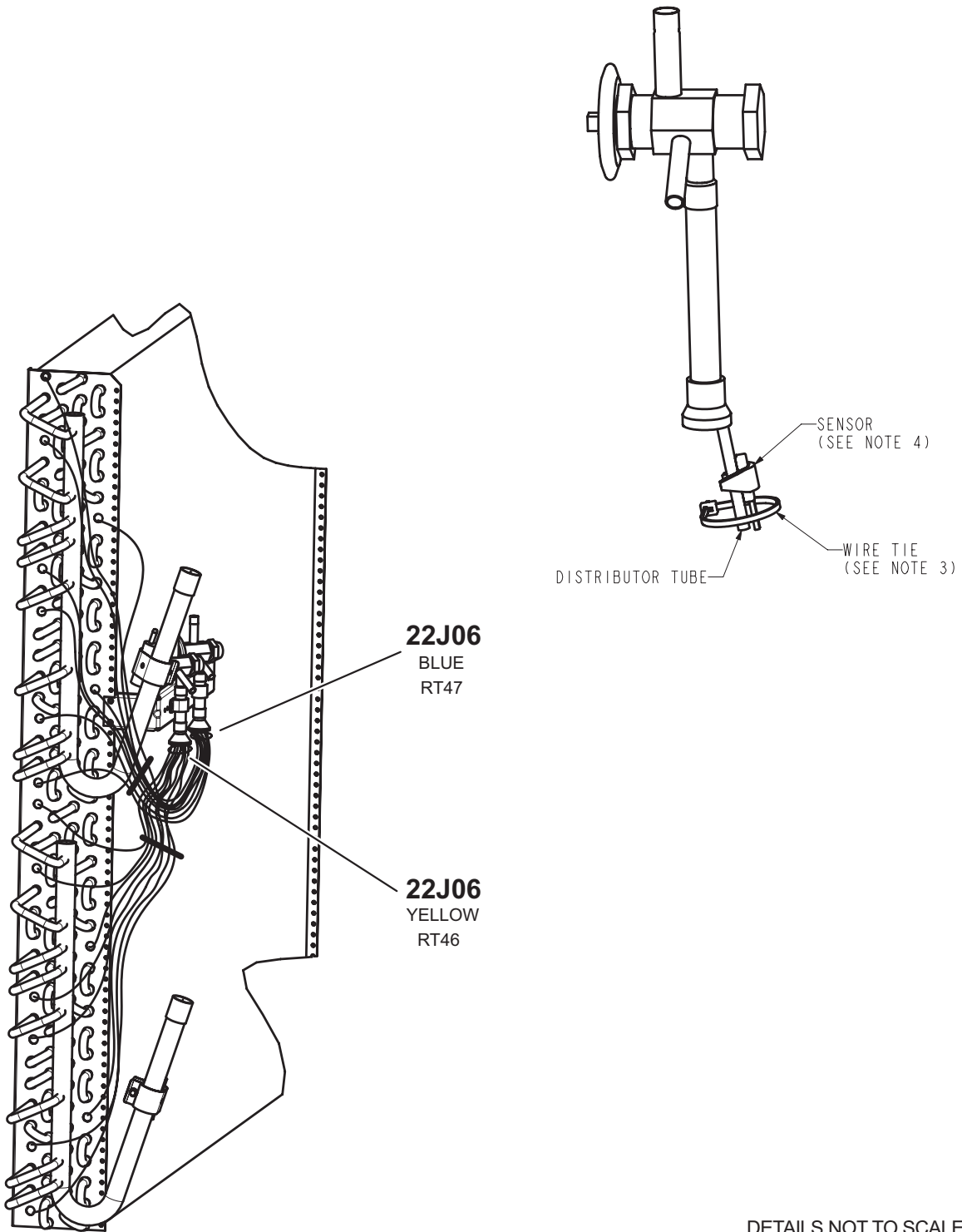
LGT/LCT092, 102, 120, 150
CONDENSER COIL
RT48, RT49



DETAILS NOT TO SCALE

FIGURE 26

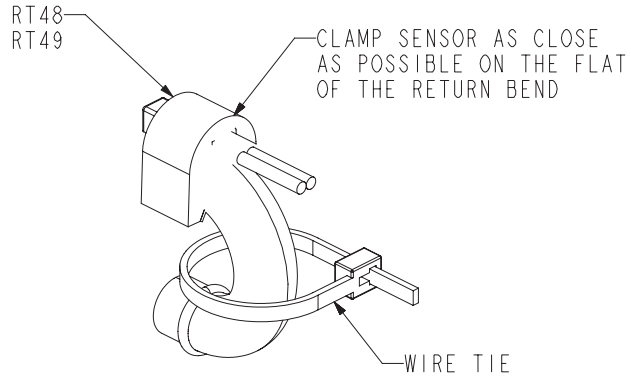
LHT/LDT078, 092, 102, 122, 150
INDOOR COIL
RT46, RT47



DETAILS NOT TO SCALE

FIGURE 27

LHT/LDT078, 092, 102, 122, 150
CONDENSER COIL
RT48, RT49



SENSOR DETAIL

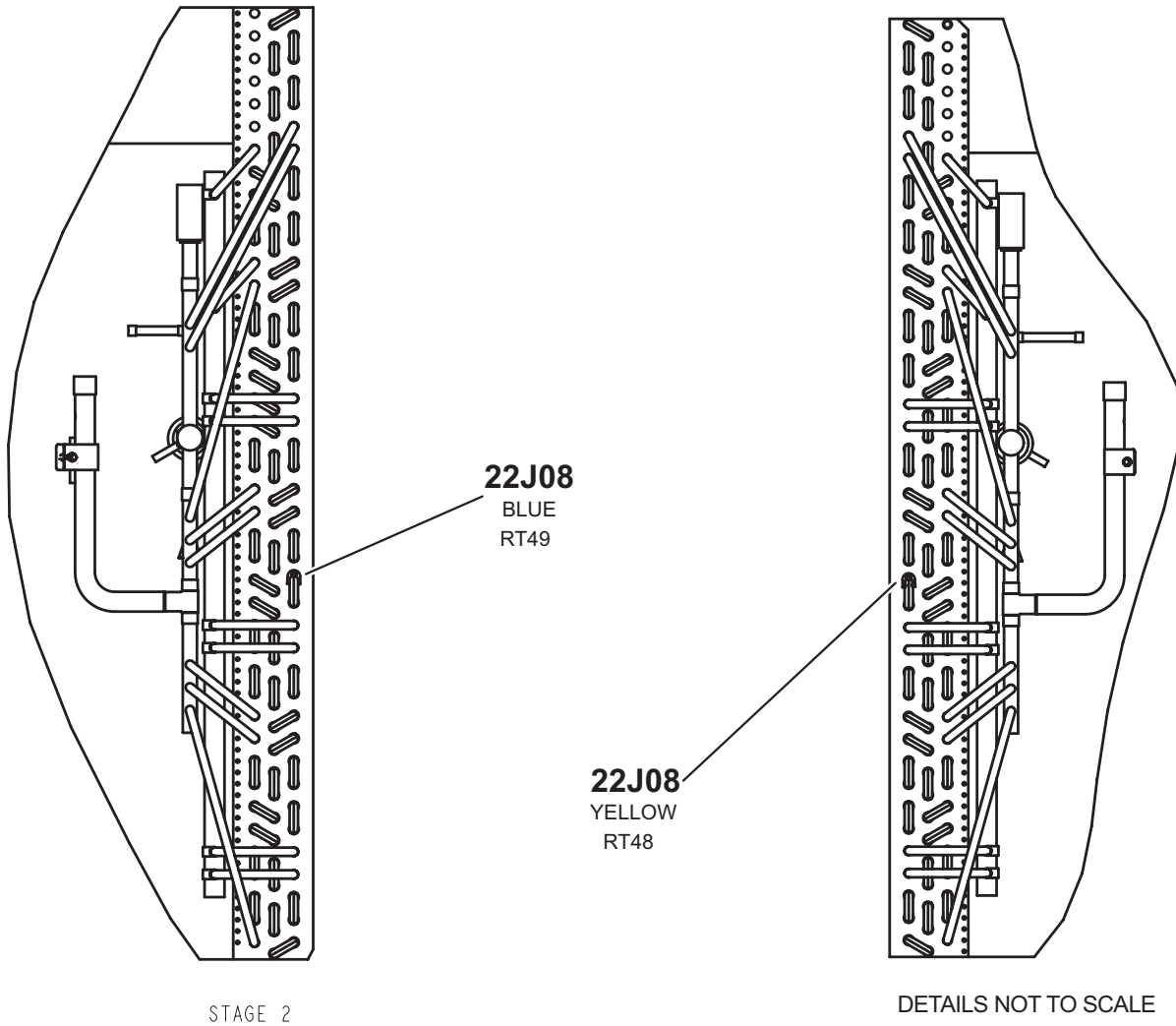


FIGURE 28

LHT/LDT156, 180, 240
INDOOR COIL
RT46, RT47

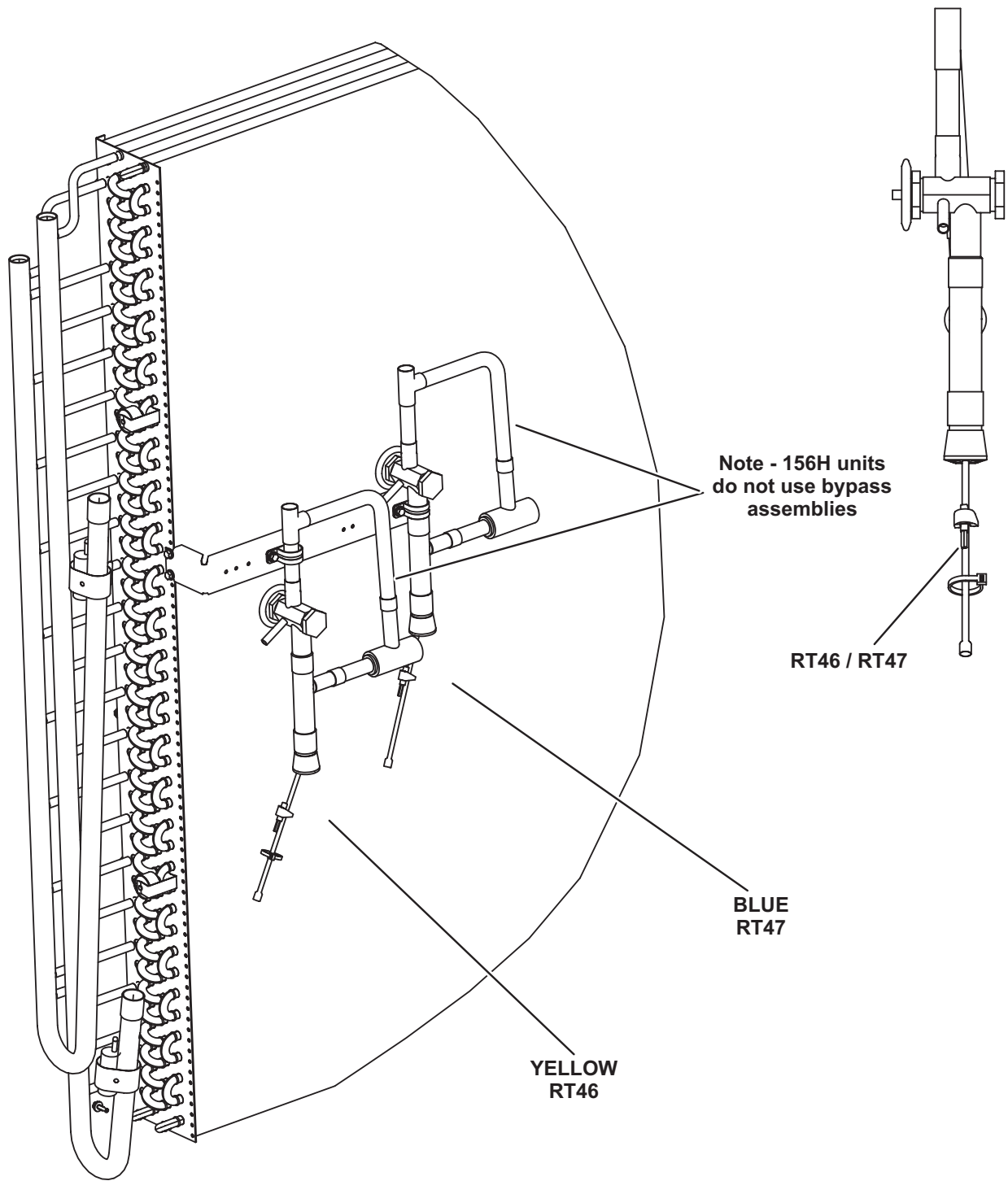


FIGURE 29

LHT/LDT156, 180, 240
OUTDOOR COIL
RT48, RT49

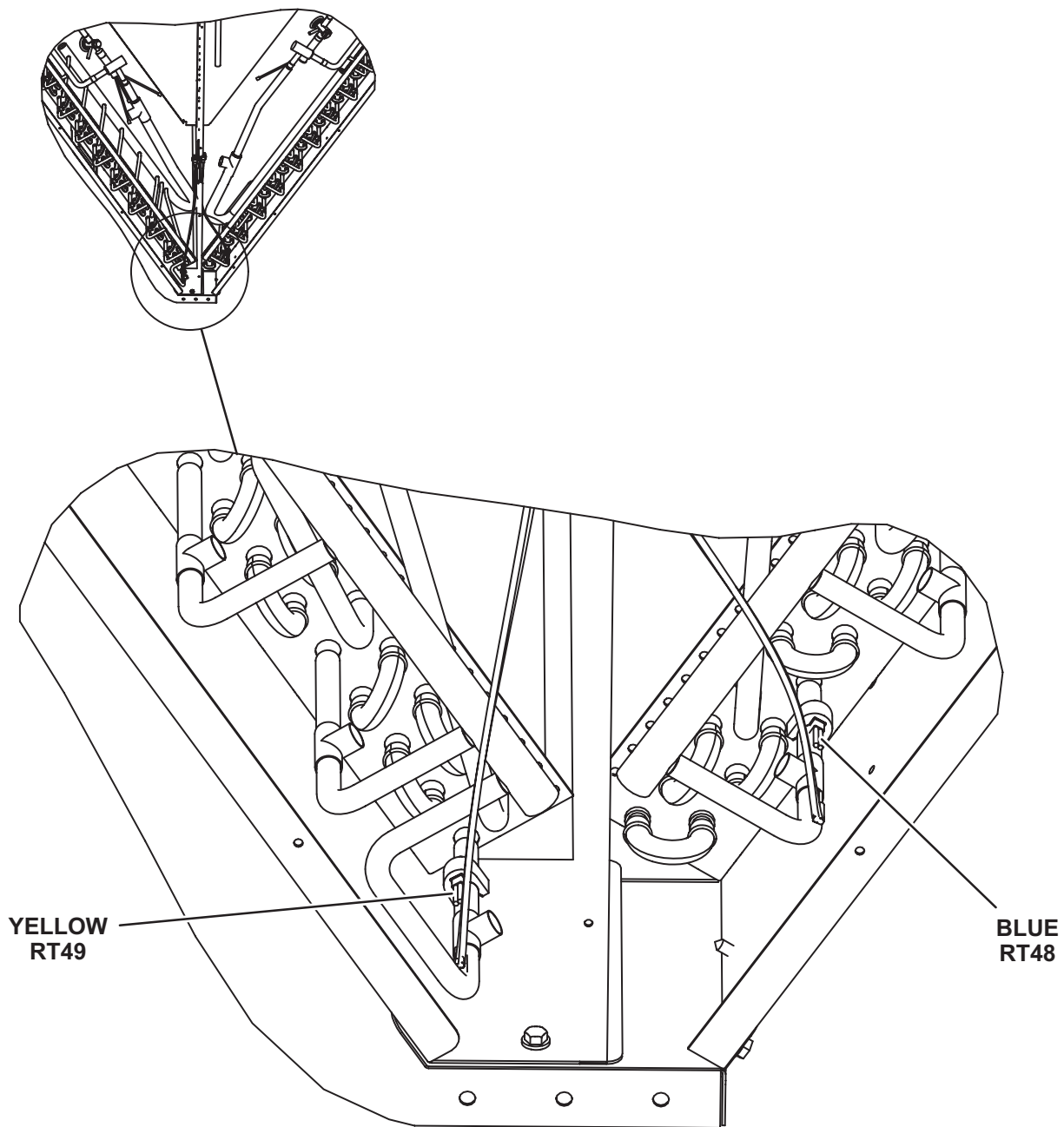


FIGURE 30