



538544-01

AA

BB

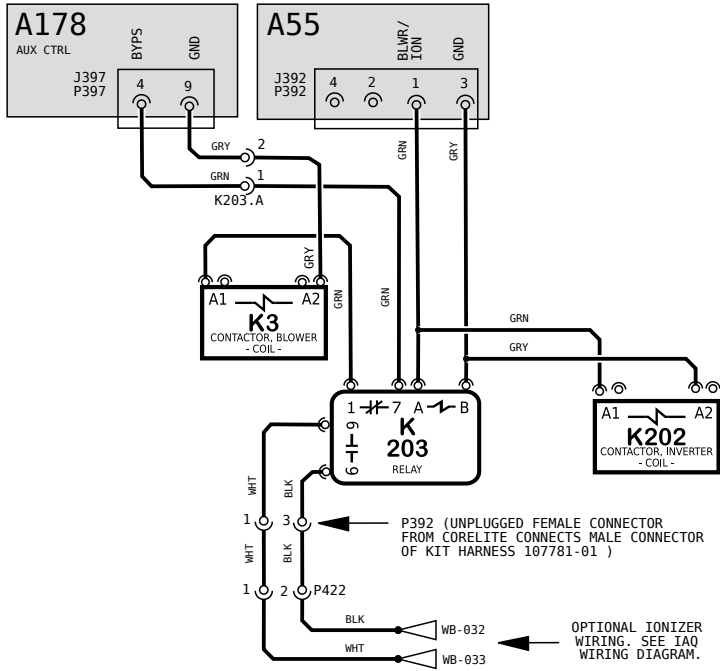
CC

DD

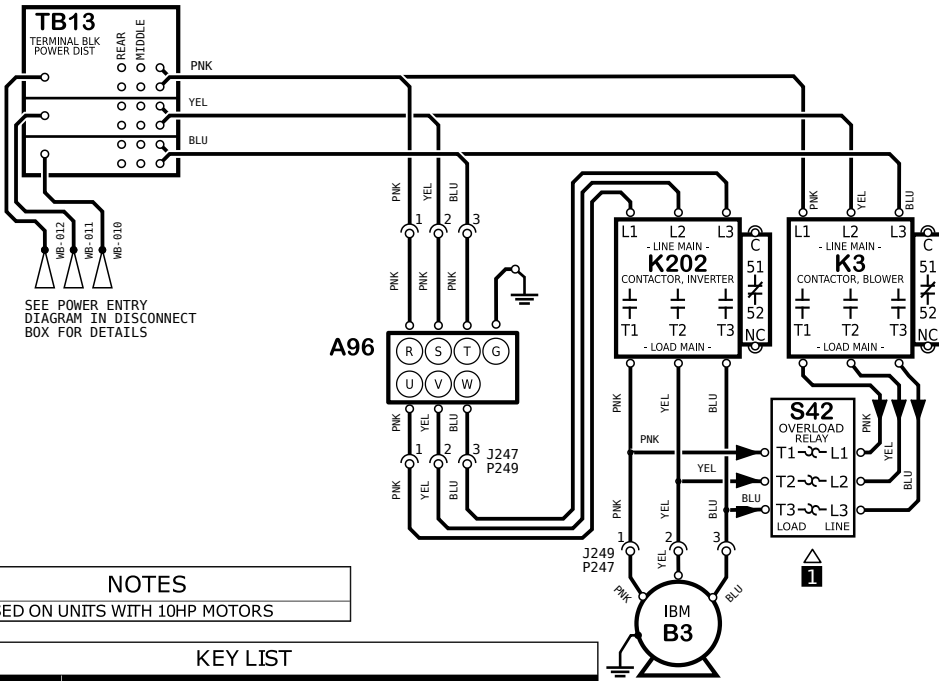
EE

FF

01



05



09

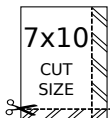
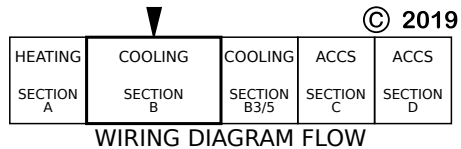
KEY LIST		
LOCATION	COMPONENT DESCRIPTION	
CC07	A96	CONTROL INVERTER, BLOWER
EE08	B3	MOTOR, BLOWER
BB02/EE06	K3	CONTACTOR, BLOWER
DD03/06	K202	CONTACTOR, INVERTER
CC03	K203	RELAY, INVERTER CONTROL
EE07	S42	OVERLOAD, RELAY, BLOWER MOTOR
AA05	TB13	TERMINAL STRIP, POWER DISTRIBUTION

10

Model: LCX, LGX, LHX 180S, 210S, 240S, 300S
MSAV - VFD BYPASS KIT

Voltage: ALL VOLTAGES

Supersedes: N/A Form No: 538544-01 Rev: 0



REV	EC NO.	DATE	BY	APVD	REVISION NOTE
---	CN-012404A	05-10-2024	DEV	JAL21	ORIGINATED AT PD&R CARROLLTON, TX



538544-01

AA

BB

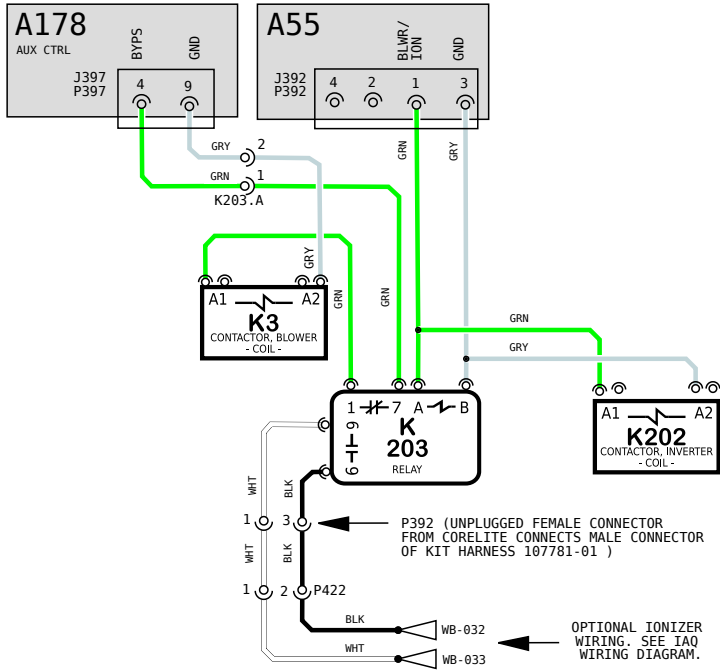
CC

DD

EE

FF

01

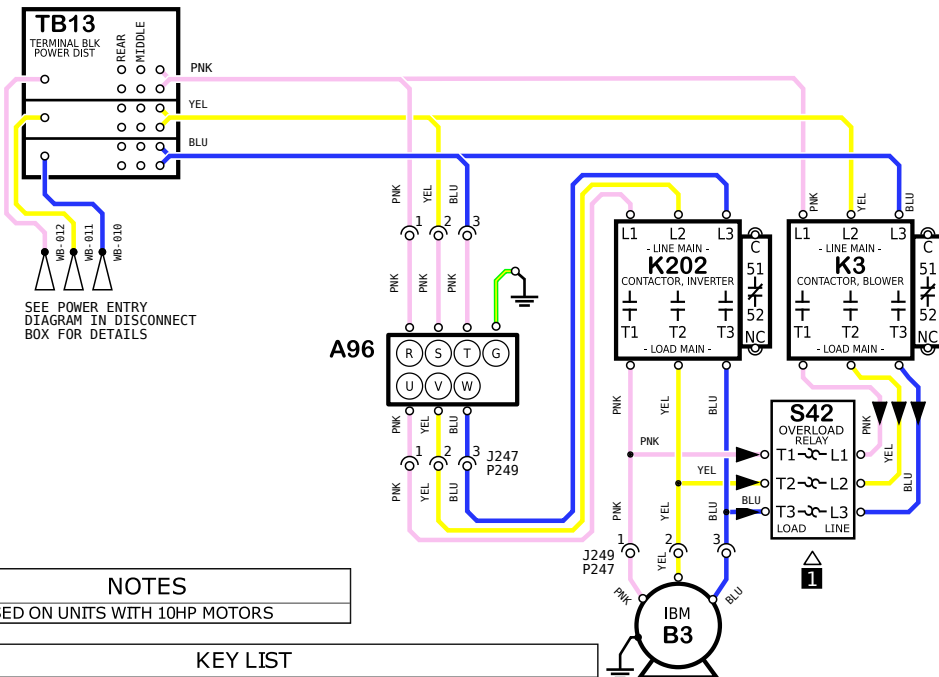


02

03

04

05



06

07

08

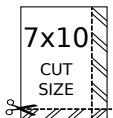
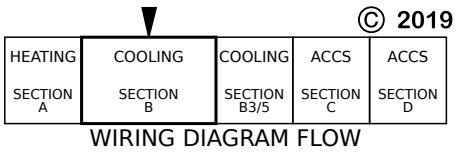
NOTES	
1	S42 USED ON UNITS WITH 10HP MOTORS

09

KEY LIST		
LOCATION	COMPONENT DESCRIPTION	
CC07	A96	CONTROL INVERTER, BLOWER
EE08	B3	MOTOR, BLOWER
BB02/EE06	K3	CONTACTOR, BLOWER
DD03/06	K202	CONTACTOR, INVERTER
CC03	K203	RELAY, INVERTER CONTROL
EE07	S42	OVERLOAD, RELAY, BLOWER MOTOR
AA05	TB13	TERMINAL STRIP, POWER DISTRIBUTION

10

Model: LCX, LGX, LHX 180S, 210S, 240S, 300S
 MSAV - VFD BYPASS KIT
 Voltage: ALL VOLTAGES
 Supersedes: N/A Form No: 538544-01 Rev: 0



REV	EC NO.	DATE	BY	APVD	REVISION NOTE
---	CN-012404A	05-10-2024	DEV	JAL21	ORIGINATED AT PD&R CARROLLTON, TX