



538443-01

01

02

03

04

05

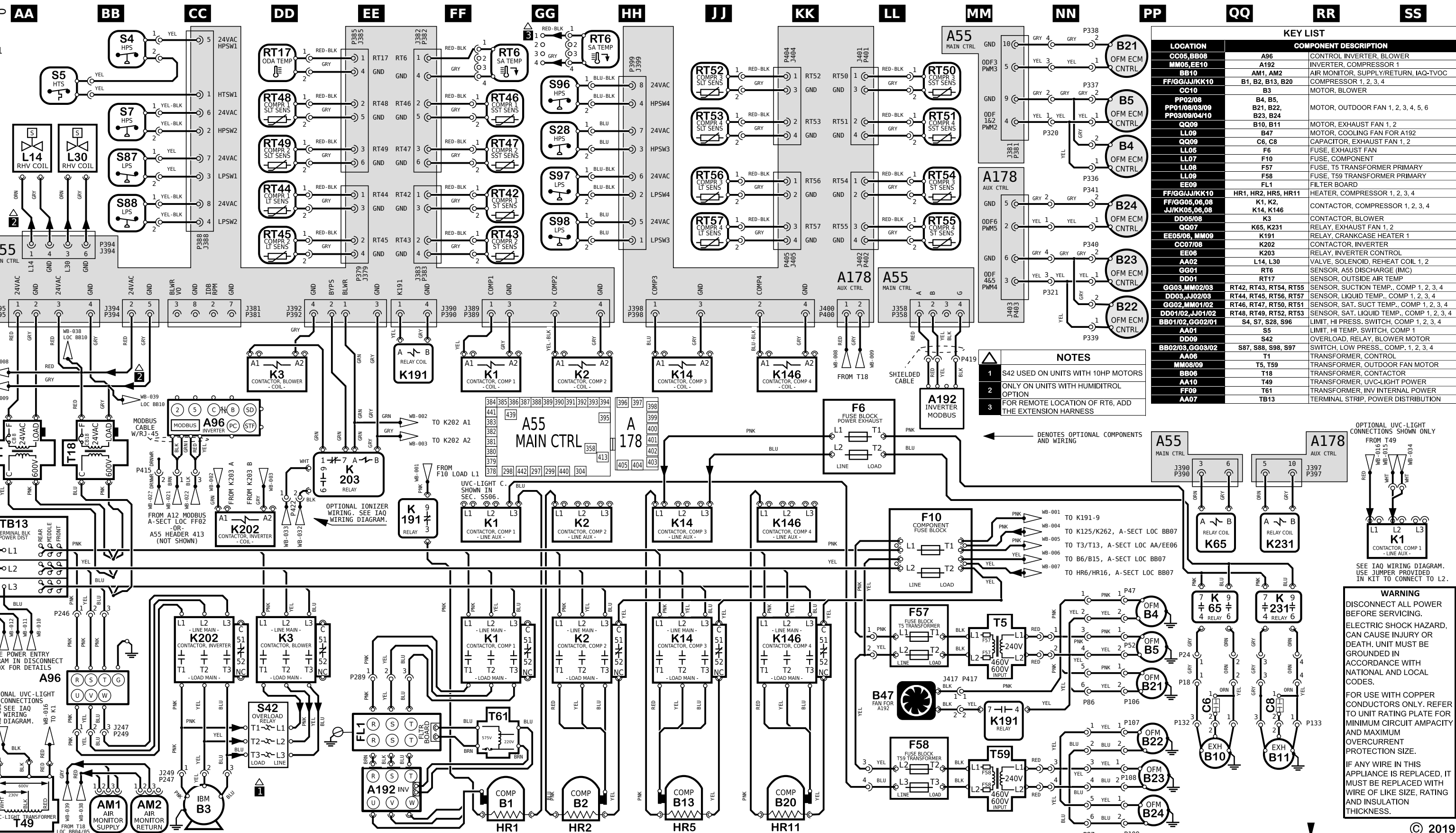
06

07

08

09

10

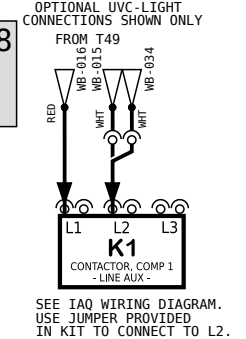


KEY LIST	
LOCATION	COMPONENT DESCRIPTION
CC05, BB08	A96 CONTROL INVERTER, BLOWER
MM05, EE10	A192 INVERTER, COMPRESSOR 1
BB10	AM1, AM2 AIR MONITOR, SUPPLY/RETURN, IAQ-TVOC
FF/GG/JJ/KK10	B1, B2, B13, B20 COMPRESSOR 1, 2, 3, 4
CC10	B3 MOTOR, BLOWER
PP02/08	B4, B5, B21, B22, B23, B24 MOTOR, OUTDOOR FAN 1, 2, 3, 4, 5, 6
PP01/08/03/09	B47 MOTOR, COOLING FAN FOR A192
PP03/09/04/10	B3 MOTOR, BLOWER
QQ09	B10, B11 MOTOR, EXHAUST FAN 1, 2
LL09	B47 MOTOR, COOLING FAN FOR A192
QQ09	C6, C8 CAPACITOR, EXHAUST FAN 1, 2
LL06	F6 FUSE, EXHAUST FAN
LL07	F10 FUSE, COMPONENT
LL08	F57 FUSE, T5 TRANSFORMER PRIMARY
LL09	F58 FUSE, T59 TRANSFORMER PRIMARY
EE09	FL1 FILTER BOARD
FF/GG/JJ/KK10	HR1, HR2, HR5, HR11 HEATER, COMPRESSOR 1, 2, 3, 4
FF/GG05, 06, 08	K1, K2, K14, K146 CONTACTOR, COMPRESSOR 1, 2, 3, 4
DD05/08	K3 CONTACTOR, BLOWER
QQ07	K65, K231 RELAY, EXHAUST FAN 1, 2
EE05/06, MM09	K191 RELAY, CRANKCASE HEATER 1
CC07/08	K202 CONTACTOR, INVERTER
EE06	K203 RELAY, INVERTER CONTROL
AA02	L14, L30 VALVE, SOLENOID, REHEAT COIL 1, 2
GG01	RT6 SENSOR, A55 DISCHARGE (IMC)
DD01	RT17 SENSOR, OUTSIDE AIR TEMP
GG03, MM02/03	RT42, RT43, RT54, RT55 SENSOR, SUCTION TEMP., COMP 1, 2, 3, 4
DD08, JJ02/03	RT44, RT45, RT56, RT57 SENSOR, LIQUID TEMP., COMP 1, 2, 3, 4
GG02, MM01/02	RT46, RT47, RT50, RT51 SENSOR, SAT. SUCT TEMP., COMP 1, 2, 3, 4
DD01/02, JJ01/02	RT48, RT49, RT52, RT53 SENSOR, SAT. LIQUID TEMP., COMP 1, 2, 3, 4
BB01/02, GG02/01	S4, S7, S28, S96 LIMIT, HI PRESS. SWITCH, COMP 1, 2, 3, 4
AA01	S5 LIMIT, HI TEMP. SWITCH, COMP 1
DD09	S42 OVERLOAD RELAY, BLOWER MOTOR
BB02/03, GG03/02	S87, S88, S98, S97 SWITCH, LOW PRESS., COMP. 1, 2, 3, 4
AA08	T1 TRANSFORMER, CONTROL
MM08/09	T5, T59 TRANSFORMER, OUTDOOR FAN MOTOR
BB08	T18 TRANSFORMER, CONTACTOR
AA10	T49 TRANSFORMER, UVC-LIGHT POWER
FF09	T61 TRANSFORMER, INV INTERNAL POWER
AA07	TB13 TERMINAL STRIP, POWER DISTRIBUTION

NOTES

- S42 USED ON UNITS WITH 10HP MOTORS
- ONLY ON UNITS WITH HUMIDITROL OPTION
- FOR REMOTE LOCATION OF RT6, ADD THE EXTENSION HARNESS

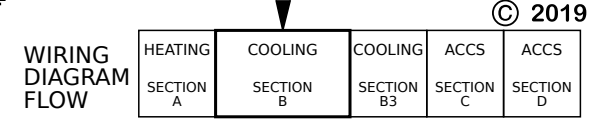
▲ DENOTES OPTIONAL COMPONENTS AND WIRING



WARNING
DISCONNECT ALL POWER BEFORE SERVICING. ELECTRIC SHOCK HAZARD, CAN CAUSE INJURY OR DEATH. UNIT MUST BE GROUNDED IN ACCORDANCE WITH NATIONAL AND LOCAL CODES.
FOR USE WITH COPPER CONDUCTORS ONLY. REFER TO UNIT RATING PLATE FOR MINIMUM CIRCUIT AMPACITY AND MAXIMUM OVERCURRENT PROTECTION SIZE.
IF ANY WIRE IN THIS APPLIANCE IS REPLACED, IT MUST BE REPLACED WITH WIRE OF LIKE SIZE, RATING AND INSULATION THICKNESS.

Model: LCM, LGM 210U, 240U, 300U, A2L - J-VOLT
COOLING - MSAV WITH BYPASS - 4 COMPRESSORS, 6 CONDENSER FANS

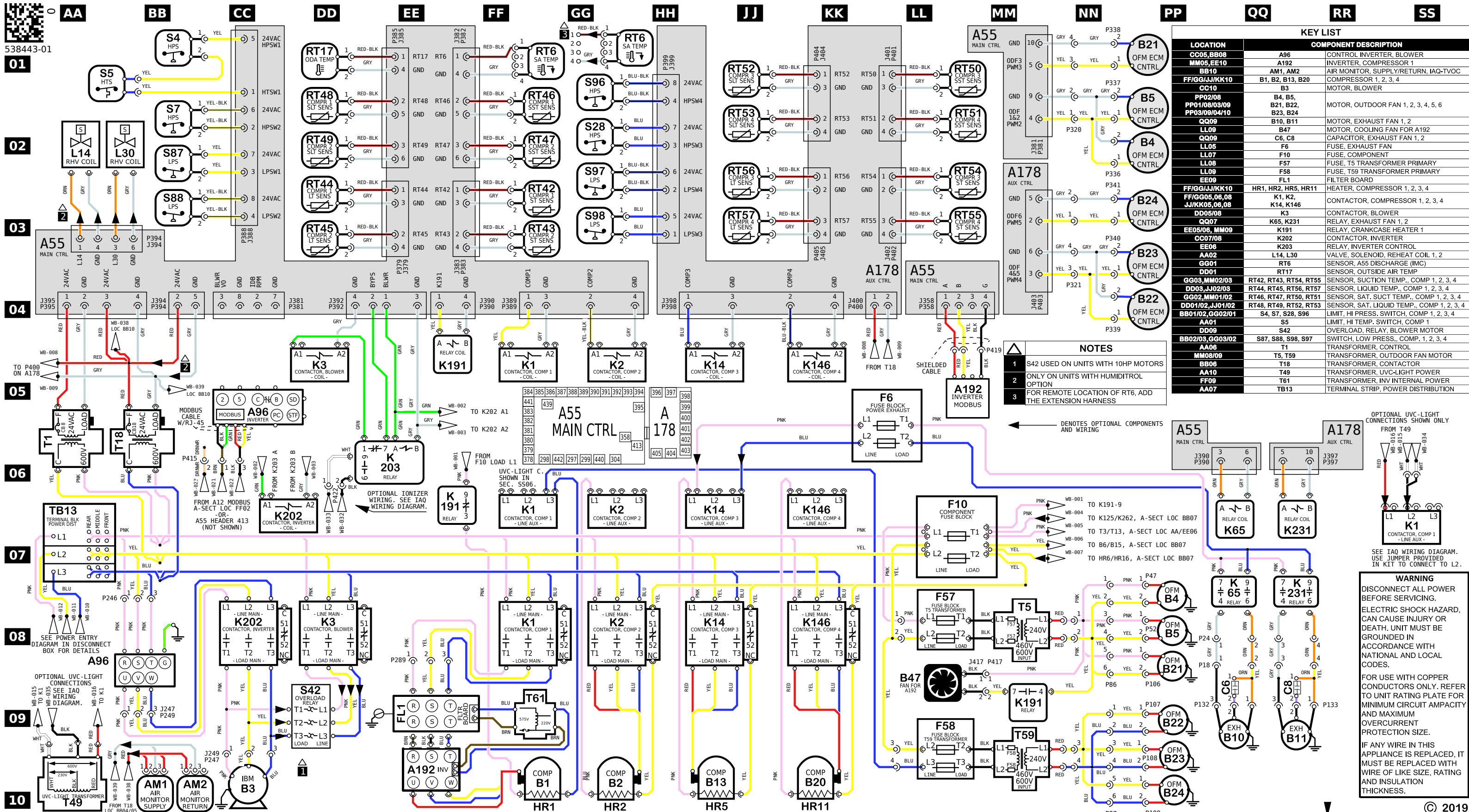
Voltage: 575V/3~/60Hz (J)
Supersedes: N/A Form No: 538443-01 Rev: 0



10x17 CUT SIZE

REV	EC NO.	DATE	BY	APVD	REVISION NOTE
---	CN-012015	04-30-2024	DEV	JAL21	ORIGINATED AT PD&R CARROLLTON, TX

© 2019



KEY LIST	
LOCATION	COMPONENT DESCRIPTION
CC05, BB08	A96 CONTROL INVERTER, BLOWER
MM05, EE10	A192 INVERTER, COMPRESSOR 1
BB10	AM1, AM2 AIR MONITOR, SUPPLY/RETURN, IAQ-TVOC
FF/JG/JJ/KK10	B1, B2, B13, B20 COMPRESSOR 1, 2, 3, 4
CC10	B3 MOTOR, BLOWER
PP02/08	B4, B5, MOTOR, OUTDOOR FAN 1, 2, 3, 4, 5, 6
PP01/08/03/09	B21, B22, B23, B24
PP03/09/04/10	B3
QQ09	B10, B11 MOTOR, EXHAUST FAN 1, 2
LL09	B47 MOTOR, COOLING FAN FOR A192
QQ09	C6, C8 CAPACITOR, EXHAUST FAN 1, 2
LL06	F6 FUSE, EXHAUST FAN
LL07	F10 FUSE, COMPONENT
LL08	F57 FUSE, T5 TRANSFORMER PRIMARY
LL09	F58 FUSE, T59 TRANSFORMER PRIMARY
EE09	FL1 FILTER BOARD
FF/JG/JJ/KK10	HR1, HR2, HR5, HR11 HEATER, COMPRESSOR 1, 2, 3, 4
FF/GG05, 06, 08	K1, K2, K14, K146 CONTACTOR, COMPRESSOR 1, 2, 3, 4
DD05/08	K3 CONTACTOR, BLOWER
QQ07	K65, K231 RELAY, EXHAUST FAN 1, 2
EE05/06, MM09	K191 RELAY, CRANKCASE HEATER 1
CC07/08	K202 CONTACTOR, INVERTER
EE06	K203 RELAY, INVERTER CONTROL
AA02	L14, L30 VALVE, SOLENOID, REHEAT COIL 1, 2
GG01	RT6 SENSOR, A55 DISCHARGE (IMC)
DD01	RT17 SENSOR, OUTSIDE AIR TEMP.
GG03, MM02/03	RT42, RT43, RT54, RT55 SENSOR, SUCTION TEMP., COMP 1, 2, 3, 4
DD08, JJ02/03	RT44, RT45, RT56, RT57 SENSOR, LIQUID TEMP., COMP 1, 2, 3, 4
GG02, MM01/02	RT46, RT47, RT50, RT51 SENSOR, SAT. SUCT TEMP., COMP 1, 2, 3, 4
DD01/02, JJ01/02	RT48, RT49, RT52, RT53 SENSOR, SAT. LIQUID TEMP., COMP 1, 2, 3, 4
BB01/02, GG02/01	S4, S7, S28, S96 LIMIT, HI PRESS. SWITCH, COMP 1, 2, 3, 4
AA01	S5 LIMIT, HI TEMP. SWITCH, COMP 1
DD09	S42 OVERLOAD, RELAY, BLOWER MOTOR
BB02/03, GG03/02	S87, S88, S98, S97 SWITCH, LOW PRESS., COMP. 1, 2, 3, 4
AA08	T1 TRANSFORMER, OUTDOOR FAN MOTOR
MM08/09	T5, T59 TRANSFORMER, OUTDOOR FAN MOTOR
BB08	T18 TRANSFORMER, CONTACTOR
AA10	T49 TRANSFORMER, UVC-LIGHT POWER
FF09	T61 TRANSFORMER, INV INTERNAL POWER
AA07	TB13 TERMINAL STRIP, POWER DISTRIBUTION

- NOTES**
- S42 USED ON UNITS WITH 10HP MOTORS
 - ONLY ON UNITS WITH HUMIDITROL OPTION
 - FOR REMOTE LOCATION OF RT6, ADD THE EXTENSION HARNESS

WARNING
 DISCONNECT ALL POWER BEFORE SERVICING. ELECTRIC SHOCK HAZARD, CAN CAUSE INJURY OR DEATH. UNIT MUST BE GROUNDED IN ACCORDANCE WITH NATIONAL AND LOCAL CODES.
 FOR USE WITH COPPER CONDUCTORS ONLY. REFER TO UNIT RATING PLATE FOR MINIMUM CIRCUIT AMPACITY AND MAXIMUM OVERCURRENT PROTECTION SIZE.
 IF ANY WIRE IN THIS APPLIANCE IS REPLACED, IT MUST BE REPLACED WITH WIRE OF LIKE SIZE, RATING AND INSULATION THICKNESS.

Model: LCM, LGM 210U, 240U, 300U, A2L - J-VOLT Voltage: 575V/3~/60Hz (J)
 COOLING - MSAV WITH BYPASS - 4 COMPRESSORS, 6 CONDENSER FANS Supersedes: N/A Form No: 538443-01 Rev: 0

© 2019

HEATING SECTION A	COOLING SECTION B	COOLING SECTION B3	ACCS SECTION C	ACCS SECTION D
-------------------	-------------------	--------------------	----------------	----------------

10x17 CUT SIZE

REV	EC NO.	DATE	BY	APVD	REVISION NOTE
---	CN-012015	04-30-2024	DEV	JAL21	ORIGINATED AT PD&R CARROLLTON, TX