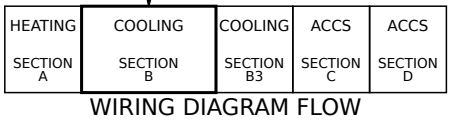
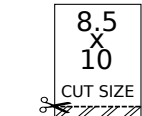


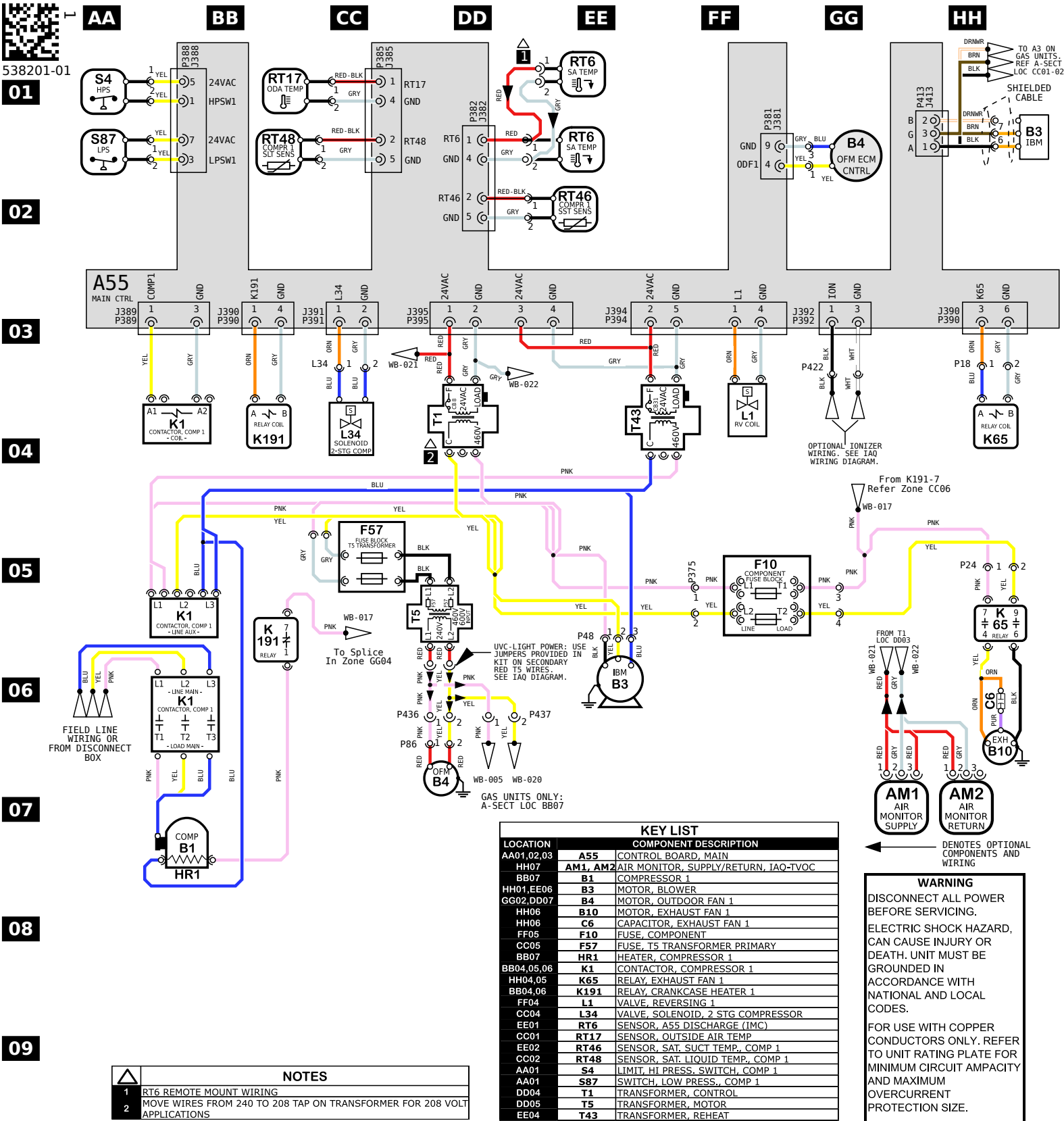
10 Model: LDT, LHT 036H - 072H G VOLT HEATPUMP - EBM BLOWER WITH HIGHER SCCR
 Voltage: 460V/3~/60Hz (G)
 Supersedes: N/A Form No: 538201-01 Rev: 1



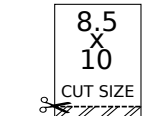
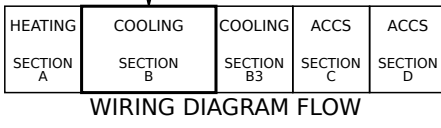
WARNING
 DISCONNECT ALL POWER BEFORE SERVICING.
 ELECTRIC SHOCK HAZARD, CAN CAUSE INJURY OR DEATH. UNIT MUST BE GROUNDED IN ACCORDANCE WITH NATIONAL AND LOCAL CODES.
 FOR USE WITH COPPER CONDUCTORS ONLY. REFER TO UNIT RATING PLATE FOR MINIMUM CIRCUIT AMPACITY AND MAXIMUM OVERCURRENT PROTECTION SIZE.
 IF ANY WIRE IN THIS APPLIANCE IS REPLACED, IT MUST BE REPLACED WITH WIRE OF LIKE SIZE, RATING AND INSULATION THICKNESS.



REV	EC NO.	DATE	BY	APVD	REVISION NOTE
--	CN-008852	06/01/2022	AXL	AAH	ORIGINATED AT PD&R CARROLLTON, TX
001	CN-012457P	3/26/2024	AXL	AAH	A) UPDATED MODEL DESC, WAS "036H-060H". UPDATED GROUND IMAGE ON B3/B4/B10



10 Model: LDT, LHT 036H - 072H G VOLT HEATPUMP - EBM BLOWER WITH HIGHER SCCR
 Voltage: 460V/3~60Hz (G)
 Supersedes: N/A Form No: 538201-01 Rev: 1



REV	EC NO.	DATE	BY	APVD	REVISION NOTE
--	CN-008852	06/01/2022	AXL	AAH	ORIGINATED AT PD&R CARROLLTON, TX
001	CN-012457P	3/26/2024	AXL	AAH	A) UPDATED MODEL DESC, WAS "036H-060H". UPDATED GROUND IMAGE ON B3/B4/B10