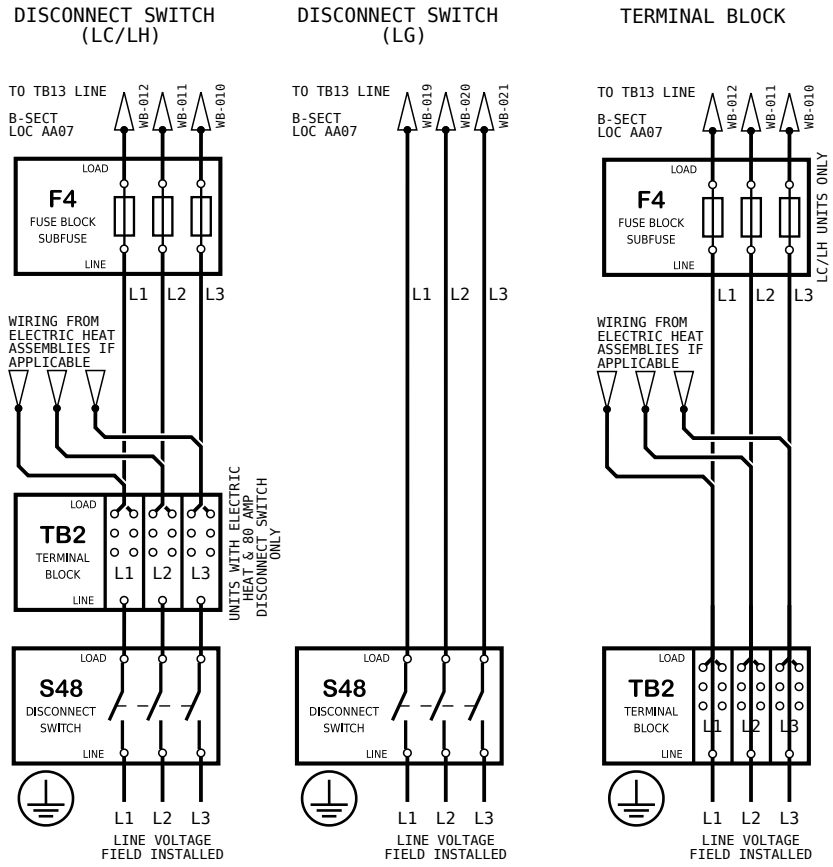
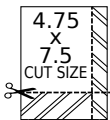


-----POWER ENTRY OPTIONS-----



Model: LCX, LGX, LHX Series RTU
 Power Entry Options 078 - 150
 Voltage: All Voltages
 Supersedes: XXXXXX-XX Form No: **538533-01** Rev: 0



| REV | EC NO. | DATE | BY | APVD | REVISION NOTE |
|-----|-----------|------------|-----|------|------------------------------------|
| --- | CN-012332 | 04-17-2024 | MCF | VXC | ORIGINATED AT PD&R CARROLLTON, TX. |
| | | | | | |