

# INSTALLATION INSTRUCTIONS

## **⚠ IMPORTANT**

Improper installation, adjustment, alteration, service or maintenance can cause property damage, personal injury or loss of life. Installation and service must be performed by a licensed professional HVAC installer or equivalent, service agency, or the gas supplier

### Table of Contents

Dimensions . . . . .	4
Parts Arrangements . . . . .	5
Shipping and Packing List . . . . .	6
General . . . . .	6
Requirements . . . . .	6
Unit Support . . . . .	8
Duct Connection . . . . .	9
Rigging Unit for Lifting . . . . .	9
Horizontal Air Discharge . . . . .	9
Condensate Drains . . . . .	10
Gas Piping (Gas Units) . . . . .	11
Pressure Test Gas Piping (Gas Units) . . . . .	12
High Altitude Derate . . . . .	13
Electrical Connections - Power Supply . . . . .	13
Electrical Connections - Control Wiring . . . . .	13
Mobile Service App . . . . .	16
Blower Operation and Adjustments . . . . .	19
Refrigerant Leak Detection System . . . . .	23
Cooling Start-Up . . . . .	23
Prognostic & Diagnostic Sensors . . . . .	33
RDS Sensors . . . . .	36
Cooling Operation . . . . .	38
Gas Heat Start-Up (Gas Units) . . . . .	39
Heating Operation and Adjustments . . . . .	40

- LGM/LCM036** (3 TON)
- LGM/LCM048** (4 TON)
- LGM/LCM060** (5 TON)
- LGM/LCM074** (6 TON)

**GAS AND COOLING PACKAGED UNITS**  
508463-01  
4/2024

**R-454B**

Electric Heat Start-Up (LCM Units) . . . . .	40
SCR Electric Heat Controller (LCM Units) . . . . .	40
Hot Gas Reheat Start-Up and Operation . . . . .	41
Preventative Maintenance / Repair . . . . .	43
Factory Unit Controller Settings . . . . .	55
Decommissioning . . . . .	58

## **⚠ WARNING**

**To prevent serious injury or death:**

- 1- Lock-out, tag-out before performing maintenance.**
- 2- If system power is required (e.g., smoke detector maintenance), disable power to blower, remove fan belt where applicable, and ensure all controllers and thermostats are set to the OFF position before performing maintenance.**
- 3- Always keep hands, hair clothing, jewelry, tools, etc., away from moving parts.**

### RETAIN THESE INSTRUCTIONS FOR FUTURE REFERENCES

#### Attention!

Use this QR code to download the mobile service app. Follow the prompts to pair the app with the Unit Controller. Refer to the "Mobile Service App" section in this manual. The QR code is also available in the unit control area.



The app can be downloaded from the appropriate iOS or Android store. Look for the following icon.



## CAUTION

As with any mechanical equipment, contact with sharp sheet metal edges can result in personal injury. Take care while handling this equipment and wear gloves and protective clothing.

## WARNING

Only manufacturer approved auxiliary devices are permitted to be installed in this unit.

## WARNING

If this appliance is conditioning a space with an area smaller than T<sub>Amin</sub> or stored in a space with an area smaller than A<sub>min</sub> as defined by this instruction, then that space must be without continuously operating open flames (e.g. an operating gas appliance) or other potential ignition sources (e.g. an operating electric heater or similar hot surface). A flame-producing device may be installed in the same space if the device is provided with an effective flame arrest system.

## WARNING

- Do not use means to accelerate the defrosting process or to clean, other than those recommended by the manufacturer.
- The appliance shall be stored in a room without continuously operating ignition sources (for example: open flames, an operating gas appliance, or an operating electric heater).
- Do not pierce or burn.
- Be aware that refrigerants may not contain an odor.

## CAUTION

Auxiliary devices which may be a potential ignition source shall not be installed in the duct work. Examples of such potential ignition sources are hot surfaces with a temperature exceeding 700°C and electric switching devices.

## CAUTION

Any personnel installing, decommissioning, or performing maintenance on the unit must be properly trained with A2L refrigerants.

## CAUTION

Leak Detection System installed. Unit must be powered except for service.

## CAUTION

Servicing shall be performed only as recommended by the manufacturer.

## WARNING

- This appliance must be installed in accordance with local and national wiring regulations.
- If the appliance is not fitted with an option for full disconnection from power, a means of disconnection must be incorporated in the fixed wiring in accordance with national and local wiring regulations.

## WARNING

**Ducts connected to an appliance shall not contain a potential ignition source.**

## CAUTION

The appliance is not to be used by persons (including children) with reduced physical, sensory or mental capabilities, or lack of experience and knowledge, unless they have been given supervision or instruction

## CAUTION

Children should be supervised not to play with the appliance.

## IMPORTANT

Pipe work, including piping material, pipe routing, and installation shall include protection from physical damage in operation and service, and be in compliance with national and local codes and standards, such as ASHRAE 15, ASHRAE 15.2, IAPMO Uniform Mechanical Code, ICC International Mechanical Code, or CSA B52. All field joints shall be accessible for inspection prior to being covered or enclosed.

## IMPORTANT

Refrigerant sensors for refrigerant detection systems shall only be replaced with sensors specified by the appliance manufacturer.

## CAUTION

This unit is equipped with electrically powered safety measures. To be effective, the unit must be electrically powered at all times after installation, other than when servicing.

## A2L Refrigerant Considerations

Ensure that the work area is adequately ventilated before breaking into the system or conducting any hot work. A degree of ventilation shall continue during the period that the work is carried out. The ventilation should safely disperse any released refrigerant and preferably expel it externally into the atmosphere.

Check that cabling will not be subject to wear, corrosion, excessive pressure, vibration, sharp edges or any other adverse environmental effects, taking into account the effects of aging or continual vibration from sources such as compressors or fans.

Under no circumstances shall potential sources of ignition be used when searching for or detection of refrigerant leaks. A halide torch (or any other detector using a naked flame) shall not be used. Electronic leak detectors may be used to detect refrigerant leaks but, in the case of flammable refrigerants, the sensitivity may not be adequate, or may need re-calibration. (Detection equipment shall be calibrated in a refrigerant-free area.) Ensure that the detector is not a potential source of ignition and is suitable for the refrigerant used. Leak detection equipment shall be set at a percentage of the LFL of the refrigerant and shall be calibrated to the refrigerant employed, and the appropriate percentage of gas (25 % maximum) is confirmed. Leak detection fluids are also suitable for use with most refrigerants but the use of detergents containing chlorine shall be avoided as the chlorine may react with the refrigerant and corrode the copper pipe-work. If a leak is suspected, all naked flames shall be removed/extinguished. If a leakage of refrigerant is found which requires brazing, all of the refrigerant shall be recovered from the system, or isolated (by means of

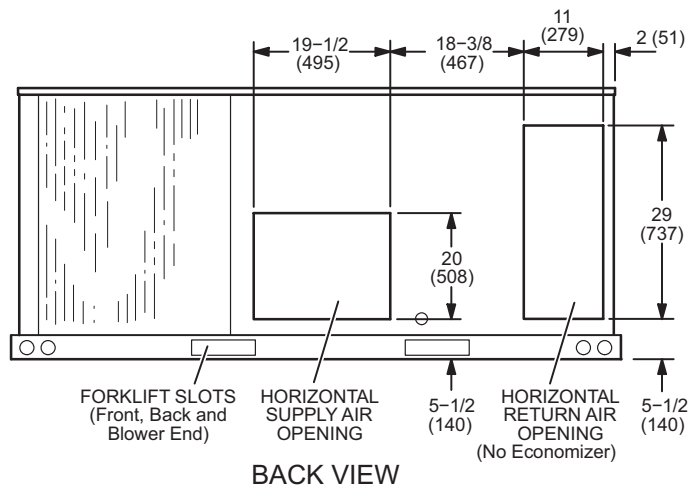
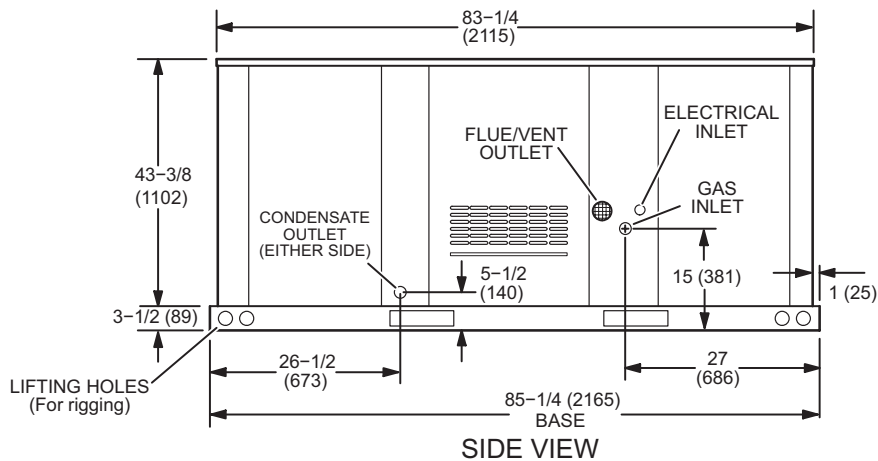
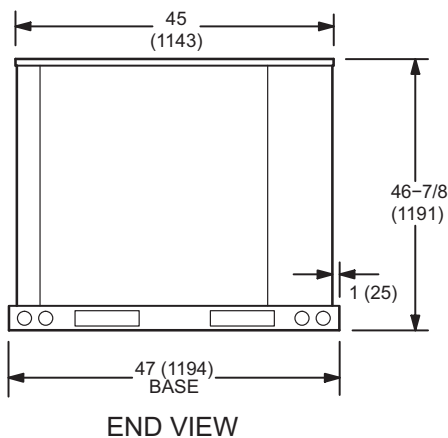
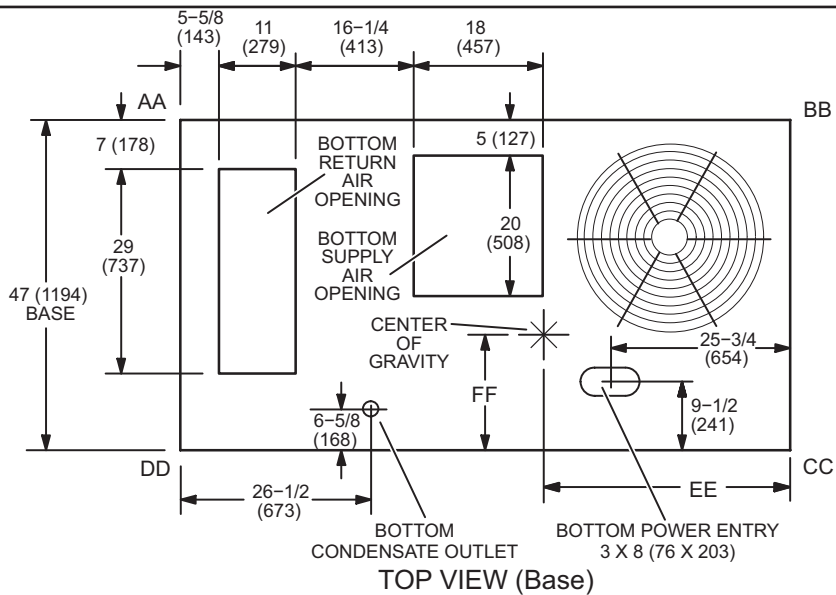
shut off valves) in a part of the system remote from the leak.

When breaking into the refrigerant circuit to make repairs – or for any other purpose – conventional procedures shall be used. However, for flammable refrigerants it is important that best practices be followed since flammability is a consideration. The following procedure shall be adhered to:

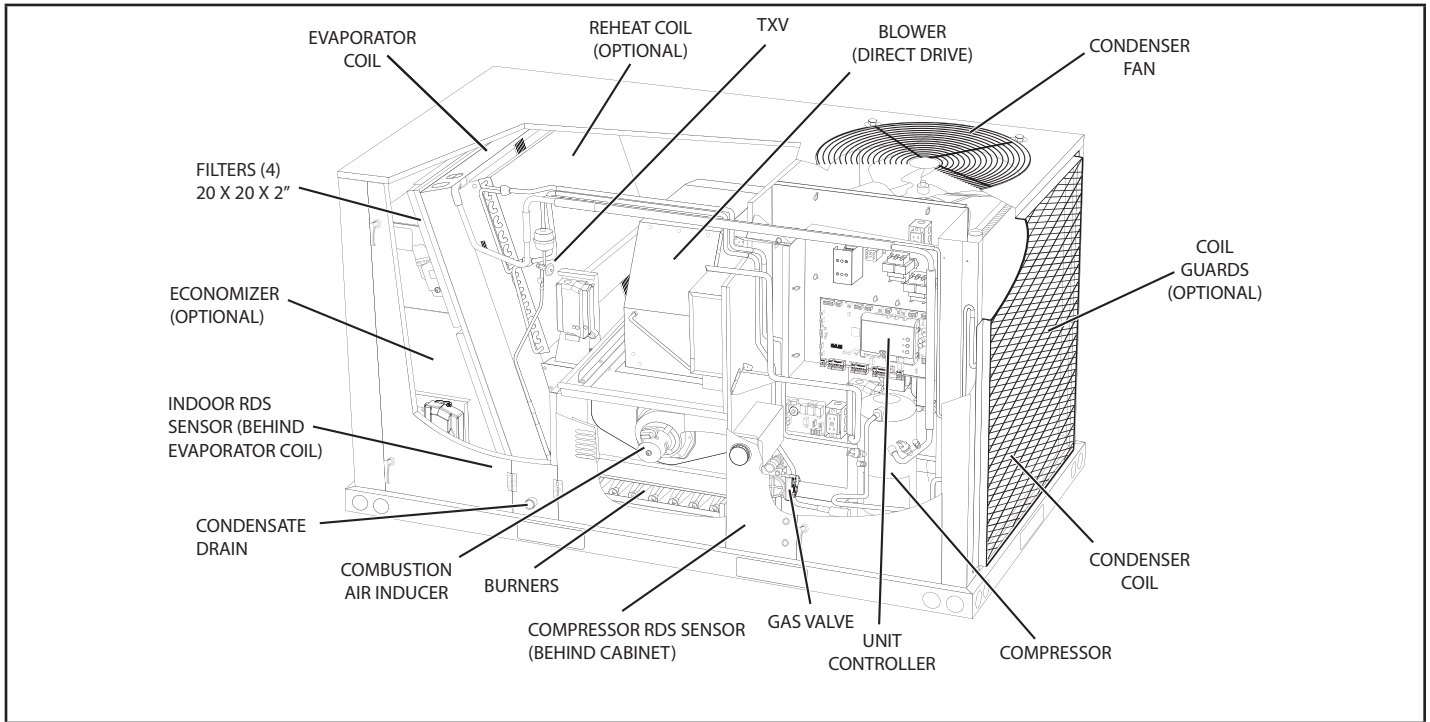
- Safely remove refrigerant following local and national regulations.
- Evacuate the circuit.
- Purge the circuit with inert gas.
- Evacuate.
- Purge the circuit with inert gas.
- Open the circuit

The refrigerant charge shall be recovered into the correct recovery cylinders if venting is not allowed by local and national codes. For appliances containing flammable refrigerants, the system shall be purged with oxygen-free nitrogen to render the appliance safe for flammable refrigerants. This process might need to be repeated several times. Compressed air or oxygen shall not be used for purging refrigerant systems. Refrigerants purging shall be achieved by breaking the vacuum in the system with oxygen-free nitrogen and continuing to fill until the working pressure is achieved, then venting to atmosphere, and finally pulling down to a vacuum. This process shall be vented down to atmospheric pressure to enable work to take place. Ensure that the outlet for the vacuum pump is not close to any potential ignition sources and that ventilation is available.

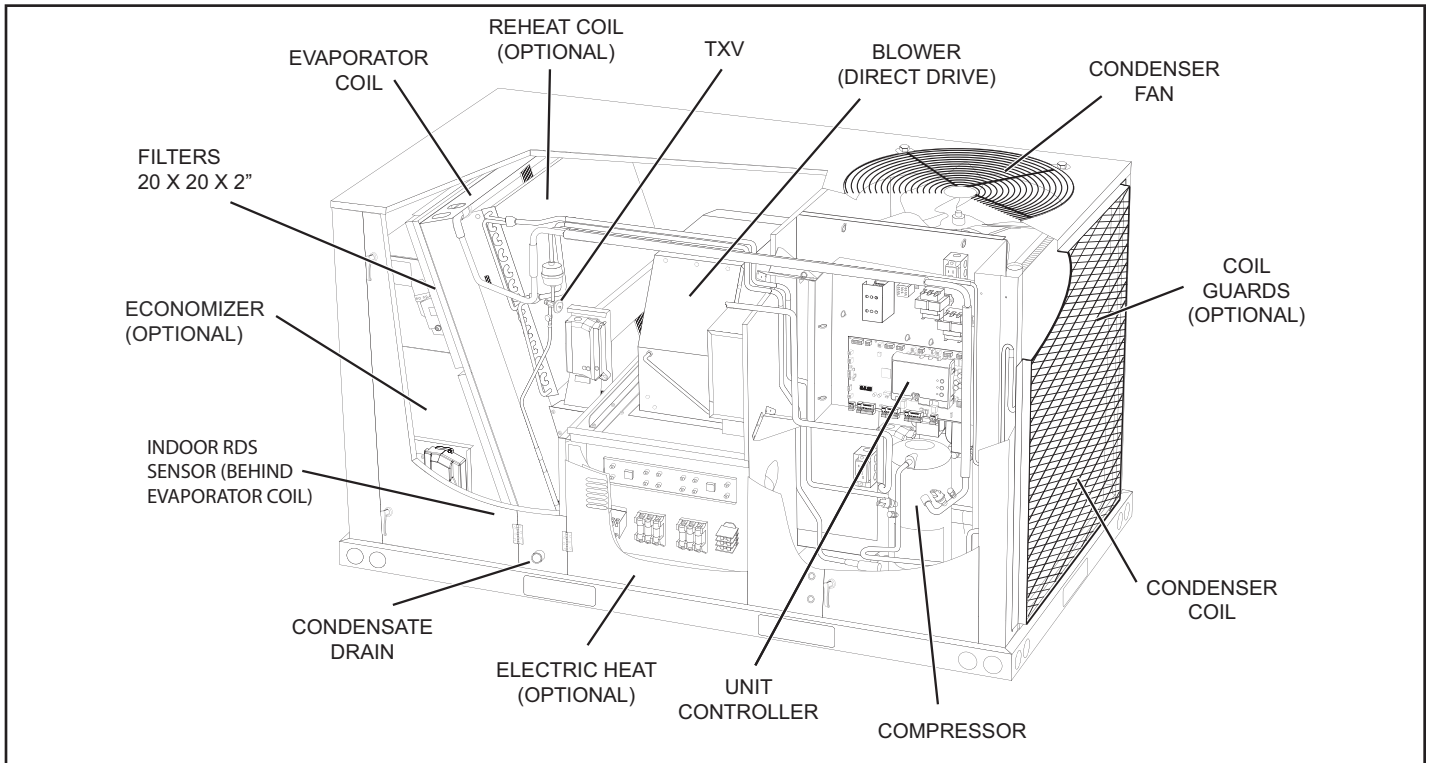
**LGM/LCM036, 048, 060, 074 DIMENSIONS in. - Gas heat section shown**



## LGM036, 048, 060, & 074 PARTS ARRANGEMENT



## LCM036, 048, 060, & 074 PARTS ARRANGEMENT



## Shipping and Packing List

### Package 1 of 1 contains:

- 1 - Assembled unit

Check unit for shipping damage. Receiving party should contact last carrier immediately if shipping damage is found.

## General

These instructions are intended as a general guide and do not supersede local codes in any way. Authorities having jurisdiction should be consulted before installation.

The LGM units are available in several heating inputs. The LCM cooling packaged rooftop unit is the same basic design as the LGM unit except for the heating section. Optional electric heat is available for LCM units. LGM and LCM units have identical refrigerant circuits with respective 3, 4, 5, and 6 ton cooling capacities.

Units are equipped with fin/tube condenser coils. Units are equipped with variable speed compressors.

In addition to standard heating and cooling, hot gas reheat units provide a dehumidifying mode of operation. Refer to Reheat Operation section.

Availability of units and options varies by brand.

False ceilings or drop ceiling may be used as a return air plenum only if the unit being installed has a Refrigerant Detection System installed.

## Requirements

See FIGURE 1 for unit clearances.

## IMPORTANT

The Clean Air Act of 1990 bans the intentional venting of refrigerant (CFC's and HCFC's) as of July 1, 1992. Approved methods of recovery, recycling or reclaiming must be followed. Fines and/or incarceration may be levied for non-compliance.

## WARNING



Electric shock hazard and danger of explosion. Can cause injury, death or product or property damage. Turn off gas and electrical power to unit before performing any maintenance or servicing operations on the unit. Follow lighting instructions attached to unit when putting unit back into operation and after service or maintenance.

## NOTICE

### Roof Damage!

This system contains both refrigerant and oil. Some rubber roofing material may absorb oil, causing the rubber to swell. Bubbles in the rubber roofing material can cause leaks. Protect the roof surface to avoid exposure to refrigerant and oil during service and installation. Failure to follow this notice could result in damage to roof surface.

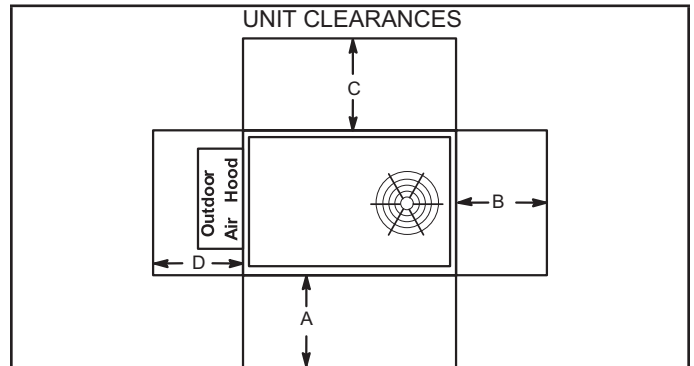


FIGURE 1

<sup>1</sup> Unit Clearance	A in. (mm)	B in. (mm)	C in. (mm)	D in. (mm)	Top Clearance
Service Clearance	48 (1219)	36 (914)	36 (914)	36 (914)	Unobstructed
Clearance to Combustibles	36 (914)	1 (25)	1 (25)	1 (25)	Unobstructed
Minimum Operation Clearance	36 (914)	36 (914)	36 (914)	36 (914)	Unobstructed

**NOTE** - Entire perimeter of unit base requires support when elevated above mounting surface.

- <sup>1</sup> Service Clearance - Required for removal of serviceable parts.
- Clearance to Combustibles - Required clearance to combustible material (gas units). On LCM units, see clearance to combustible materials as outlined on heater rating plate.
- Minimum Operation Clearance - Required clearance for proper unit operation.



## Minimum R454B Space and CFM Requirements

Minimum Airflow <sup>1</sup>		
Unit	Q <sub>min</sub> (CFM)	Q <sub>min</sub> (m <sup>3</sup> h)
LCM/LGM036	500	850
LCM/LGM048	500	850
LCM/LGM060	500	850
LCM/LGM072	500	850
LCM/LGM036 W/ Humidrol	500	850
LCM/LGM048 W/ Humidrol	500	850
LCM/LGM060 W/ Humidrol	500	850
LCM/LGM072 W/ Humidrol	500	850

<sup>1</sup> **NOTE** - The minimum airflow is the lowest CFM allowed during venting operation (leak mitigation).

Refrigerant Charge R-454B		
Unit	M <sub>c</sub> (lbs)	M <sub>c</sub> (kg)
LCM/LGM036	4.46	2.02
LCM/LGM048	5.66	2.57
LCM/LGM060	5.06	2.29
LCM/LGM072	5.52	2.50
LCM/LGM036 W/ Humidrol	5.02	2.28
LCM/LGM048 W/ Humidrol	5.54	2.51
LCM/LGM060 W/ Humidrol	5.02	2.28
LCM/LGM072 W/ Humidrol	5.54	2.51

Minimum Room Area of Conditioned Space <sup>2</sup>		
Unit	TA <sub>min</sub> (ft <sup>2</sup> )	TA <sub>min</sub> (m <sup>2</sup> )
LCM/LGM036	46.73	4.34
LCM/LGM048	75.44	7.01
LCM/LGM060	71.19	6.61
LCM/LGM072	70.31	6.53
LCM/LGM036 W/ Humidrol	78.52	7.29
LCM/LGM048 W/ Humidrol	76.17	7.08
LCM/LGM060 W/ Humidrol	70.02	6.51
LCM/LGM072 W/ Humidrol	66.07	6.14

<sup>2</sup> **NOTE** - The minimum room area of conditioned space is the smallest area the unit can service.

Altitude Adjustment Factor <sup>3</sup>									
Halt	0	200	400	600	800	1000	1200	1400	1600
AF	1	1	1	1	1.02	1.05	1.07	1.1	1.12
Halt	1600	1800	2000	2200	2400	2600	2800	3000	3200
AF	1.12	1.15	1.18	1.21	1.25	1.28	1.32	1.36	1.4

<sup>3</sup> **NOTE** - Use the Altitude Adjustment Factor to adjust the values in the tables above to different altitudes. Find the relevant altitude above sea level in the two "Halt" rows and then multiply the value needed from the tables above by the altitude factor number. Example: For the minimum airflow in CFM for an LCM/LGM036 at 1000 ft. above sea level, multiply 500 by 1.05 to get 525 CFM as the new Q<sub>min</sub>.

Use of this unit as a construction heater or air conditioner is not recommended during any phase of construction. Very low return air temperatures, harmful vapors and operation of the unit with clogged or misplaced filters will damage the unit.

If this unit has been used for heating or cooling of buildings or structures under construction, the following conditions must be met or the warranty will be void:

- A room thermostat must control the unit. The use of fixed jumpers that will provide continuous heating or cooling is not allowed.
- A pre-filter must be installed at the entry to the return air duct.
- The return air duct must be provided and sealed to the unit.
- Return air temperature range between 55°F (13°C) and 80°F (27°C) must be maintained.
- Air filters must be replaced and pre-filters must be removed upon construction completion.
- The input rate and temperature rise must be set per the unit rating plate.
- The heat exchanger, components, duct system, air filters and evaporator coil must be thoroughly cleaned following final construction clean-up.
- The unit operating conditions (including airflow, cooling operation, ignition, input rate, temperature rise and venting) must be verified according to these installation instructions.

This appliance is not intended for use by persons (including children) with reduced physical, sensory, or mental capabilities, or lack of experience and knowledge, unless they have been given supervision or instruction concerning use of the appliance by a person responsible for their safety.

### Unit Support

In downflow discharge installations, install the unit on a non-combustible surface only. Unit may be installed on combustible surfaces when used in horizontal discharge applications or in downflow discharge applications when installed on an T1CURB / C1CURB / E1CURB roof mounting frame.

**NOTE** - Securely fasten roof frame to roof per local codes

### CAUTION

To reduce the likelihood of supply / return air by pass and promote a proper seal with the RTU, duct work / duct drops / diffuser assemblies must be supported independently to the building structure.

## A-Downflow Discharge Application

### Roof Mounting with T1CURB / C1CURB / E1CURB

- 1 - The roof mounting frame must be installed, flashed and sealed in accordance with the instructions provided with the frame.
- 2 - The roof mounting frame should be square and level to 1/16" per linear foot (5mm per linear meter) in any direction.
- 3 - Duct must be attached to the roof mounting frame and not to the unit; supply and return plenums must be installed before setting the unit.

### Installer's Roof Mounting Frame

Many types of roof frames can be used to install the unit depending upon different roof structures. Items to keep in mind when using the building frame or supports are:

- 1 - The base is fully enclosed and insulated, so an enclosed frame is not required.
- 2 - The frames or supports must be constructed with non-combustible materials and should be square and level to 1/16" per linear foot (5mm per linear meter) in any direction.
- 3 - Frame or supports must be high enough to prevent any form of moisture from entering unit. Recommended minimum frame height is 14" (356mm).
- 4 - Duct must be attached to the roof mounting frame and not to the unit. Supply and return plenums must be installed before setting the unit.
- 5 - Units require support along all four sides of unit base. Supports must be constructed of steel or suitably treated wood materials.

**NOTE** - When installing a unit on a combustible surface for downflow discharge applications, a T1CURB / C1CURB / E1CURB roof mounting frame is required.

## B-Horizontal Discharge Applications

- 1 - Units which are equipped with an optional economizer and installed in horizontal airflow applications must use a horizontal conversion kit.
- 2 - Specified installation clearances must be maintained when installing units. Refer to FIGURE 1.
- 3 - Top of support slab should be approximately 4" (102mm) above the finished grade and located so no run-off water from higher ground can collect around the unit.
- 4 - Units require support along all four sides of unit base. Supports must be constructed of steel or suitably treated wood materials.



## Duct Connection

All exterior ducts, joints and openings in roof or building walls must be insulated and weather-proofed with flashing and sealing compounds in accordance with applicable codes. Any duct passing through an unconditioned space must be insulated.

## ⚠ CAUTION

In downflow applications, do not drill or punch holes in base of unit. Leaking in roof may occur if unit base is punctured.

## Rigging Unit for Lifting

Rig unit for lifting by attaching four cables to holes in unit base rail. See FIGURE 2.

- 1 - Detach wooden base protection before rigging.
- 2 - Remove all six base protection brackets before setting unit.
- 3 - Connect rigging to the unit base using both holes in each corner.
- 4 - All panels must be in place for rigging.
- 5 - Place field-provided H-style pick in place just above top edge of unit. Frame must be of adequate strength and length. (H-style pick prevents damage to unit.)

Unit	*Weight	
	Lbs.	Kg.
LG	741	336
LC	721	327

\*Maximum weight with all available factory-installed accessories.

**LIFTING POINT SHOULD BE DIRECTLY ABOVE CENTER OF GRAVITY**

**IMPORTANT - ALL PANELS MUST BE IN PLACE FOR RIGGING.**

**CAUTION - Do not walk on unit.**

FIGURE 2

## Horizontal Air Discharge

Unit is shipped with panels covering the horizontal supply and return air openings. Remove horizontal covers and place over downflow openings for horizontal air discharge. See FIGURE 3. Secure in place with sheet metal screws.

*Units Equipped With An Optional Economizer*

- 1 - Remove the horizontal supply air cover and position over the downflow supply air opening. Secure with sheet metal screws.
- 2 - Leave the horizontal return air cover in place.
- 3 - Locate the separately ordered horizontal air discharge kit. Place the kit panel over the downflow return air opening.
- 4 - Remove and retain the barometric relief dampers and lower hood.

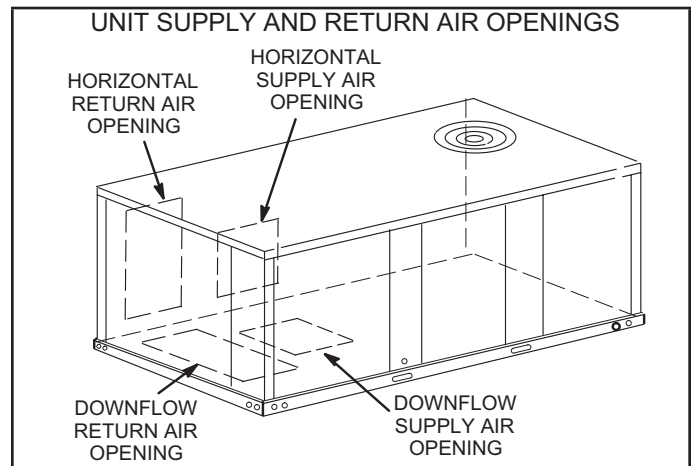


FIGURE 3

- 5 - Install return air duct beneath outdoor air intake. See FIGURE 4. Install barometric relief damper in lower hood and install in ductwork as shown in FIGURE 4.

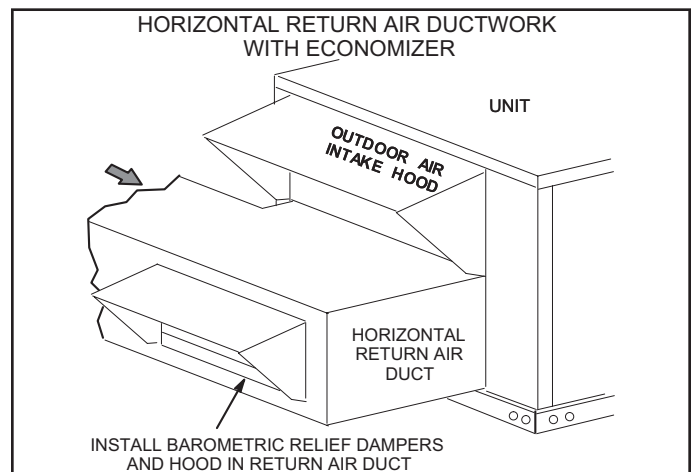


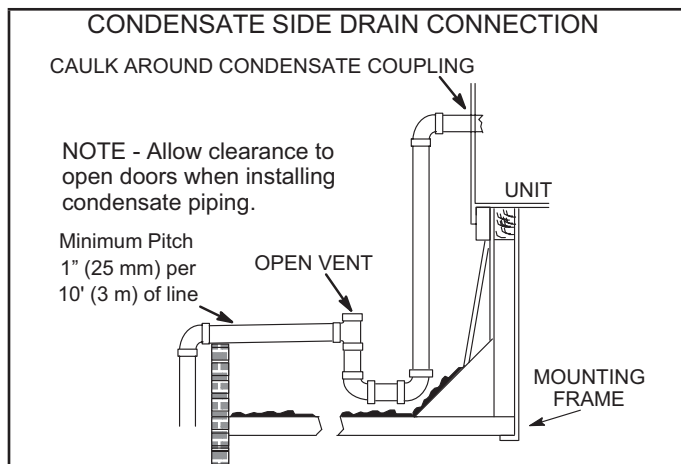
FIGURE 4

## Condensate Drains

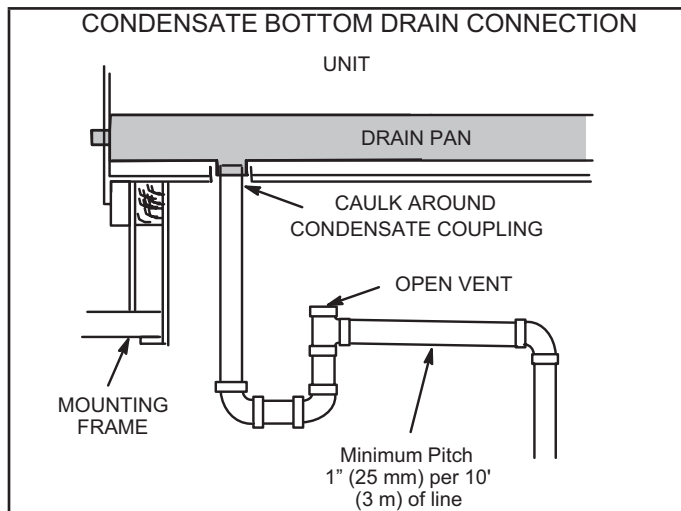
Make drain connection to the drain coupling provided on unit. Older model units have a 3/4" N.P.T. coupling and newer model units have a 1" N.P.T. coupling.

**NOTE** - The drain pan is made with a glass reinforced engineered plastic capable of withstanding typical joint torque but can be damaged with excessive force. Tighten pipe nipple hand tight and turn an additional quarter turn.

A trap must be installed between drain connection and an open vent for proper condensate removal. See FIGURE 5 or FIGURE 6. It is sometimes acceptable to drain condensate onto the roof or grade; however, a tee should be fitted to the trap to direct condensate downward. The condensate line must be vented. Check local codes concerning condensate disposal. Refer to page 2 and page 3 for condensate drain location.



**FIGURE 5**

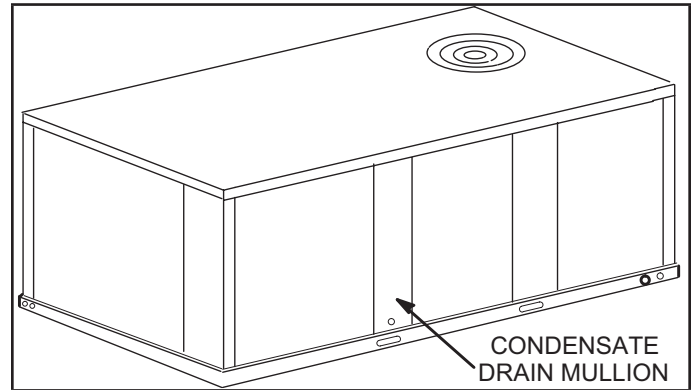


**FIGURE 6**

Units are shipped with the drain coupling facing the front of the unit. Condensate can be drained from the back or bottom of the unit with the following modifications. The unit can be installed in either downflow or horizontal air discharge regardless of condensate drain location.

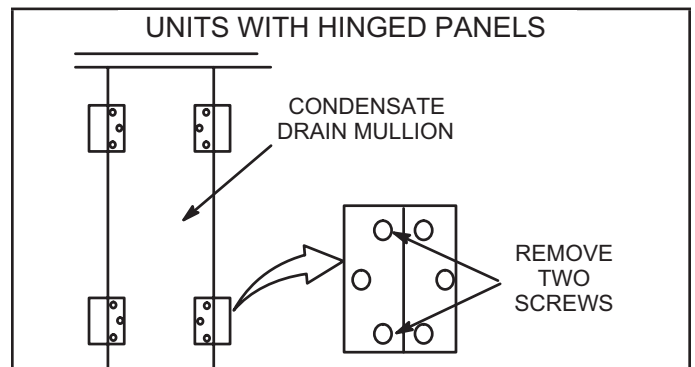
### Rear Drain Connection

- 1 - Remove the condensate drain mullion. See FIGURE 7. Remove the two panels on each side of the mullion.



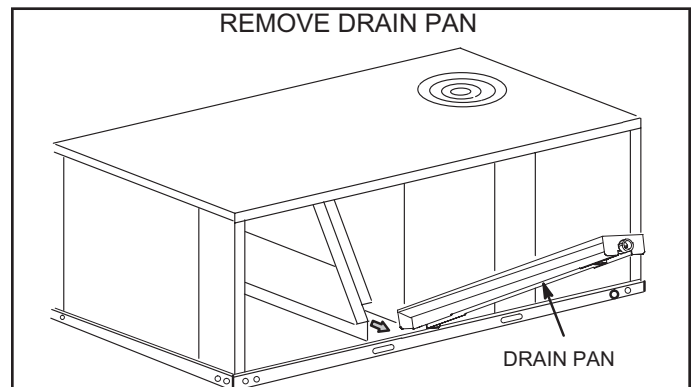
**FIGURE 7**

Two hinge screws must be removed in addition to the mullion screws. See FIGURE 8.



**FIGURE 8**

- 2 - Lift the front edge of the drain pan and slide pan out of unit. See FIGURE 9.

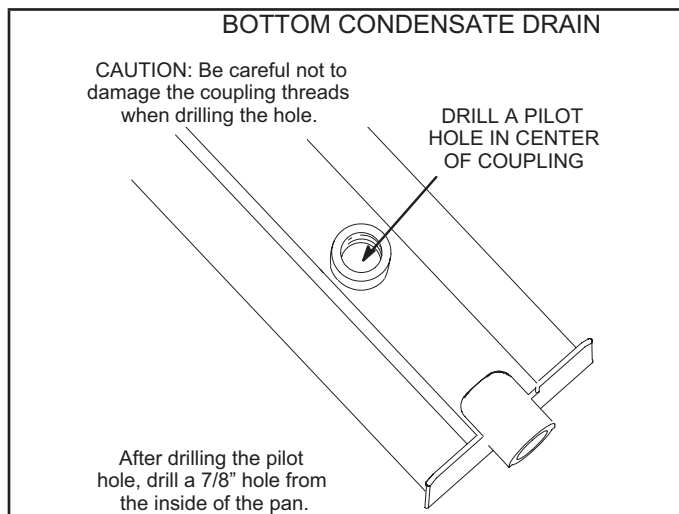


**FIGURE 9**

- 3 - Make sure the cap over the unit bottom drain hole is secure.
- 4 - Rotate the drain pan until the downward slope is toward the back of the unit. Slide the drain pan back into the unit. Be careful not to dislodge the cap over the bottom drain hole.
- 5 - From the back side of the unit, pull the drain pan coupling through the rear condensate opening.
- 6 - Replace the condensate drain mullion.

### Bottom Drain Connection

- 1 - Remove the condensate drain mullion. See FIGURE 7.
- 2 - Lift the front edge of the drain pan and slide pan out of unit. See FIGURE 9.
- 3 - Turn the drain pan upside down and drill a pilot hole through the bottom of the drain pan in the center of the coupling. See FIGURE 10.



**FIGURE 10**

- 4 - From the inside of the pan, use a Vari-Bit® bit to enlarge the hole to 7/8". Do not damage coupling threads.
- 5 - Remove the cap over the unit bottom drain hole.
- 6 - Slide the drain pan back into the unit.
- 7 - From the back side of the unit, pull the drain pan coupling through the rear condensate opening.
- 8 - From the front side of the unit, move the drain pan until the bottom coupling settles into the unit bottom drain opening. Once in place, check to make sure the coupling is still positioned through the rear condensate drain hole.
- 9 - Use a field-provided 3/4" plug to seal side drain connection.
- 10 - Replace the condensate drain mullion.

## Gas Piping (Gas Units)

Before connecting field-provided piping, check with gas company or authorities having jurisdiction for local code requirements. When installing gas supply piping, length of run from gas meter must be considered in determining pipe size for 0.5" w.c. (.12kPa) maximum pressure drop. Do not use supply pipe smaller than unit gas connection. Operating pressures at the unit gas connection must be as shown in TABLE 1.

**TABLE 1  
OPERATING PRESSURE AT GAS CONNECTION**

	Natural Gas		LP / Propane Gas	
	Min.	Max.	Min.	Max.
036/074	4.5	10.5	11	13

When making piping connections a drip leg should be installed on vertical pipe runs to serve as a trap for sediment or condensate. A 1/8" N.P.T. plugged tap is located on gas valve for test gauge connection. Refer to Heating Start-Up section for tap location. Install a ground joint union between the gas control manifold and the main manual shut-off valve. See FIGURE 11 for gas supply piping entering outside the unit. FIGURE 12 shows complete bottom gas entry piping.

Compounds used on threaded joints of gas piping shall be resistant to the action of liquefied petroleum gases.

Do not use Teflon® tape to seal gas piping. Use a moderate amount of pipe compound on the gas pipe only. Make sure the two end threads are bare.

### **! CAUTION**

If a flexible gas connector is required or allowed by the authority that has jurisdiction, black iron pipe shall be installed at the gas valve and extend outside the furnace cabinet.

### **! WARNING**

Do not exceed 600 in-lbs (50 ft.-lbs) torque when attaching the gas piping to the gas valve.

### **! IMPORTANT**

Compounds used on threaded joints of gas piping must be resistant to the actions of liquefied petroleum gases.

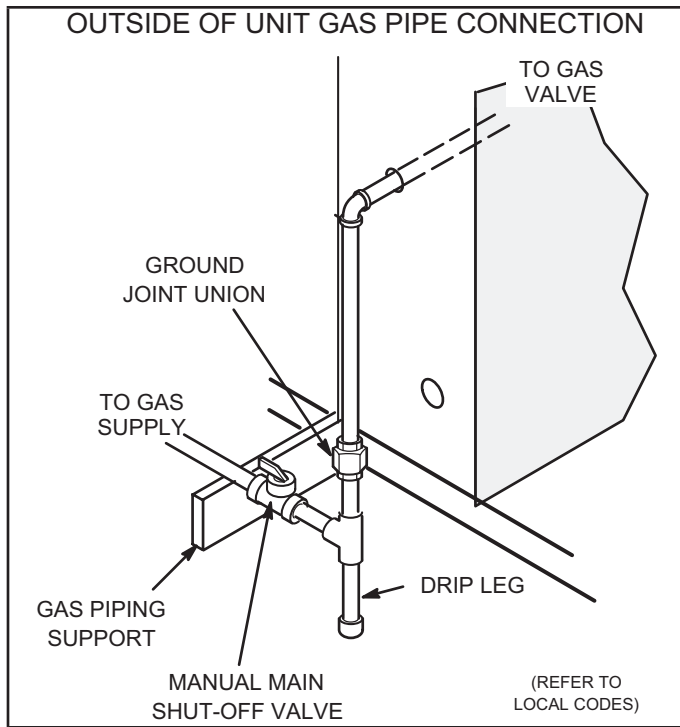


FIGURE 11

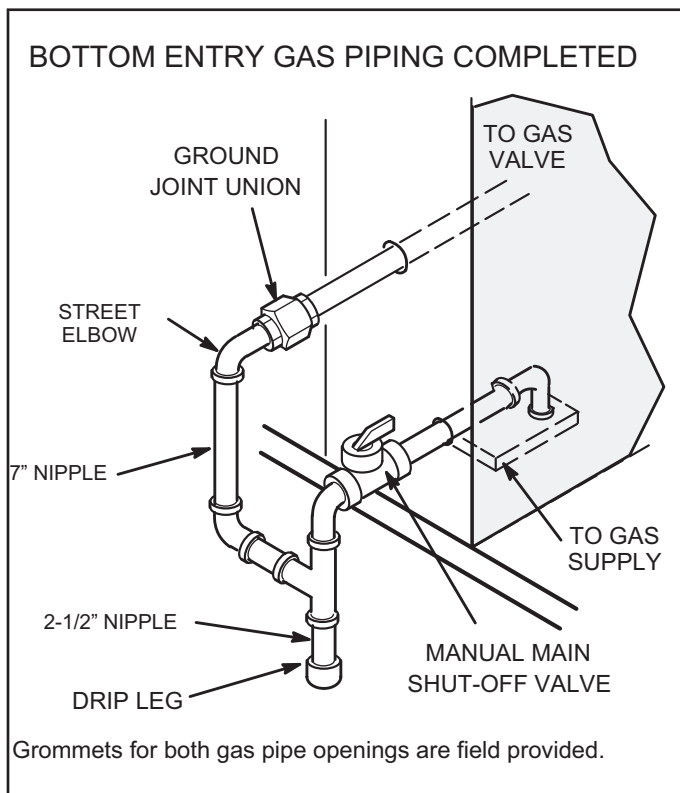


FIGURE 12

**Pressure Test Gas Piping (Gas Units)**

When pressure testing gas lines, the gas valve must be disconnected and isolated. Gas valves can be damaged if subjected to more than 0.5 psig (3.48kPa). See FIGURE 13.

**NOTE** - Codes may require that manual main shut-off valve and union (furnished by installer) be installed in gas line external to unit. Union must be of the ground joint type.

After all connections have been made, check all piping connections for gas leaks. Also check existing unit gas connections up to the gas valve; loosening may occur during installation. Use a leak detection solution or other preferred means. Do not use matches candles or other sources of ignition to check for gas leaks.

**CAUTION**

Some soaps used for leak detection are corrosive to certain metals. Carefully rinse piping thoroughly after leak test has been completed. Do not use matches, candles, flame or other sources of ignition to check for gas leaks.

**WARNING**



Danger of explosion. Can cause injury or product or property damage. Do not use matches, candles, flames, or other sources of ignition to check for leaks.

**NOTE** - In case emergency shut down is required, turn off the main manual shut-off valve and disconnect main power to unit. These devices should be properly labeled by the installer.

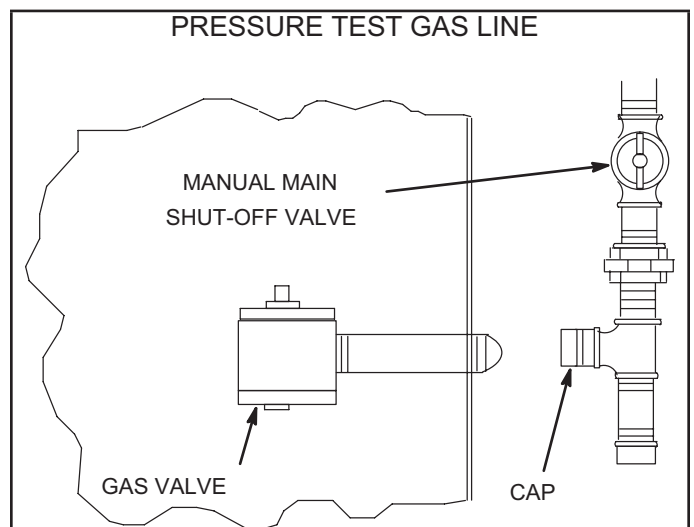


FIGURE 13

## High Altitude Derate

Locate the high altitude conversion sticker in the unit literature bag. Fill out the conversion sticker and affix next to the unit nameplate. High altitude kits are available for field-installation.

Refer to TABLE 2 for high altitude adjustments.

**TABLE 2  
HIGH ALTITUDE DERATE**

Altitude Ft.*	Gas Manifold Pressure
2000-4500	See Unit Nameplate
4500 and above	Derate 2% / 1000 Ft. above Sea Level

\*Units installed at 0-2000 feet do not need to be modified.

**NOTE** - This is the only permissible derate for these units.

## Electrical Connections - Power Supply

Do not apply power or close disconnect switch until installation is complete. Refer to start-up directions. Refer closely to unit wiring diagram.

Refer to unit nameplate for minimum circuit ampacity and maximum fuse size.

- 1 - Units are factory-wired for 230 / 460 / 575 volt supply. For 208V supply, remove the insulated terminal cover from the 208V terminal on the control transformer. Move the wire from the transformer 240V terminal to the 208V terminal. Place the insulated terminal cover on the unused 240V terminal.
- 2 - Route power through the bottom power entry area and connect to L1, L2, and L3 on the top of K1 in control area above compressor. Secure power wiring with factory-installed wire ties provided in control box. Route power to TB2 on units equipped with electric heat. Route power to S48 or CB10 if unit is equipped with the optional disconnect switch or circuit breaker. See unit wiring diagram.

## Electrical Connections - Control Wiring

Connect either a thermostat, room/zone sensor, or direct digital controller; one of the three are required for unit function. Refer to the literature provided with each device and the following information.

**NOTE** - Optional wireless sensors are available for use with this unit.

## CAUTION

Electrostatic discharge can affect electronic components. Take precautions during unit installation and service to protect the electronic controls. Precautions will help to avoid control exposure to electrostatic discharge by putting the unit, the control and the technician at the same electrostatic potential. Neutralize electrostatic charge by touching hands and all tools on an unpainted unit surface, such as the gas valve or blower deck, before performing any service procedure.

### A-Thermostat Location

Room thermostat mounts vertically on a standard 2" X 4" handy box or on any non-conductive flat surface.

Locate thermostat approximately 5 feet (1524mm) above the floor in an area with good air circulation at average temperature. Avoid locating the room thermostat where it might be affected by:

- Drafts or dead spots behind doors and in corners
- Hot or cold air from ducts
- Radiant heat from sun or appliances
- Concealed pipes and chimneys

### B-Control Wiring

The Unit Controller will operate the unit from a thermostat or zone sensor based on the System Mode. The default System Mode is the thermostat mode. Refer to the Unit Controller Setup Guide to change the System Mode. Use the mobile service app menu and select Settings > Install.

#### Thermostat Mode

- 1 - Route thermostat cable or wires from subbase to control area above compressor (refer to unit dimensions to locate bottom and side power entry).

**IMPORTANT** - Unless field thermostat wires are rated for maximum unit voltage, they must be routed away from line voltage wiring. Use wire ties located near the lower left corner of the controls mounting panel to secure thermostat cable.

Use 18 AWG wire for all applications using remotely installed electro-mechanical and electronic thermostats.

- 2 - Install thermostat assembly in accordance with instructions provided with thermostat.
- 3 - Connect thermostat wiring to Unit Controller on the lower side of the controls hat section.

- 4 - Wire as shown in FIGURE 14 for electro-mechanical and electronic thermostats. If using other temperature control devices or energy management systems see instructions and wiring diagram provided by manufacturer.

*IMPORTANT - Terminal connections at the wall plate or subbase must be made securely. Loose control wire connections may allow unit to operate but not with proper response to room demand.*

#### **Zone Sensor Mode**

The Unit Controller will operate heating and cooling based on the Unit Controller internal setpoints and the temperature from the A2 zone sensor. An optional Network Control Panel (NCP) can also be used to provide setpoints. A thermostat or return air sensor can be used as a back-up mode. Make zone sensor wiring connections as shown in FIGURE 14.

#### **C-Hot Gas Reheat**

- 1 - Install humidity sensor in accordance with instructions provided with sensor. A DDC input may be used to initiate dehumidification instead of a sensor.
- 1 - See FIGURE 14 for wiring connections on Thermostat Mode, Zone Sensor Mode, Humidity Sensor, and Dehumidification Input.

#### **Humidity Sensor Cable Applications**

##### **Wire runs of 50 feet (15 m) or less:**

Use two separate shielded cables containing 20AWG minimum, twisted pair conductors with overall shield. Belden type 8762 or 88760 (plenum) or equivalent. Connect both cable shield drain wires to the Unit Controller as shown in FIGURE 14.

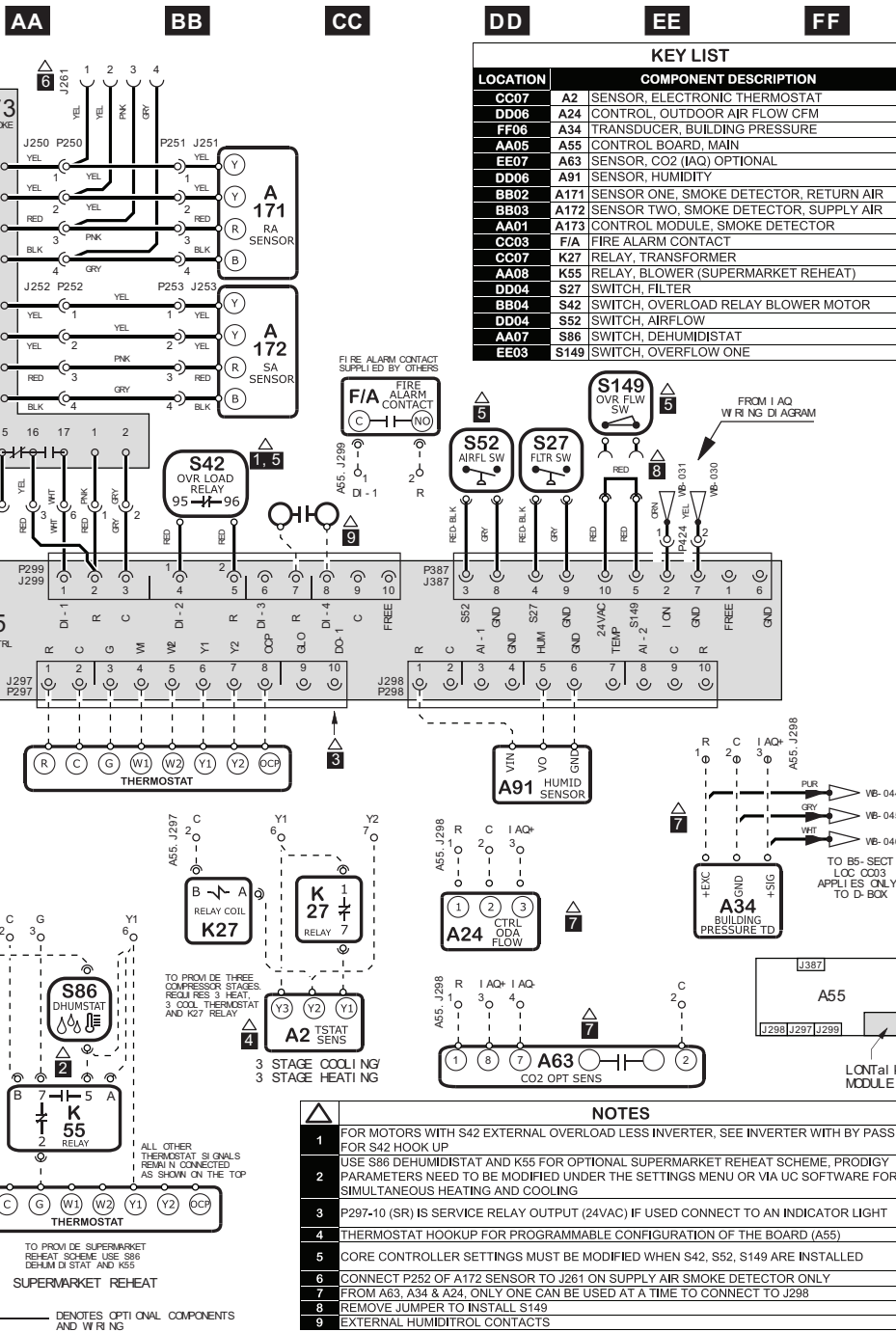
##### **Wire runs of 150 feet (46 m) or less:**

Use two separate shielded cables containing 18AWG minimum, twisted pair conductors with overall shield. Belden type 8760 or 88760 (plenum) or equivalent. Connect both cable shield drain wires to the Unit Controller as shown in FIGURE 14.

##### **Wire runs over 150 feet (46 m):**

Use a local, isolated 24VAC transformer such as Lennox cat #18M13 (20VA minimum) to supply power to RH sensor as shown in FIGURE 14. Use two shielded cables containing 20AWG minimum, twisted pair conductors with overall shield. Belden type 8762 or 88760 (plenum) or equivalent.





10 Model: LC, LG, LH, LD Series RTU  
 Thermostat  
 Voltage: All Voltages  
 Supersedes: 538078-01 Form No: 538078-02 Rev: 0

HEATING	COOLING	COOLING	ACCS	ACCS
SECTION A	SECTION B	SECTION B3/5	SECTION C	SECTION D

WIRING DIAGRAM FLOW



REV	EC NO.	DATE	BY	APVD	REVISION NOTE
---	CN-012295C	04-03-2024	MXR6	MXT5	ORIGINATED AT PD&R CARROLLTON, TX

FIGURE 14

## Mobile Service App

Setup and configure each rooftop unit using the mobile service app (Android or iOS devices supported).

### A-Mobile Device Requirements

- Bluetooth connection.
- Android hardware requires 2GB RAM and a 2Ghz core processor. Tablets are supported.
- The app is available for both iOS 11.0 or higher (App Store) and Android 9.0 or higher (Google Play).

### B-Download the App

Use your mobile device to scan the QR code from the cover page and download the mobile service app to your mobile device.

### C-Pair the App to the Unit Controller

- 1 - Apply power to the unit and wait until the Unit Controller has booted-up (approximately two minutes).
- 2 - Press and hold the pair button for five seconds. See FIGURE 16.
- 3 - The unit (or list of units) will appear; select the appropriate unit. When the app code matches the four-character code on the Unit Controller display, the unit is paired (within 10 seconds). Note the following:
  - The app will list the units by signal strength; the RTU name will be displayed.
  - Once paired, the RTU name, model number, serial number and firmware version will be displayed.

Please refer to the manufacturer's website for additional technical information and self-help support.

## D-App Menus

See FIGURE 15 for the menu overview. Follow the app prompts in the Install, Network Integration, and Test and Balance menus. Verify the app is setup properly for the unit application (including the date and time). Refer to FIGURE 17, FIGURE 18, and FIGURE 19.

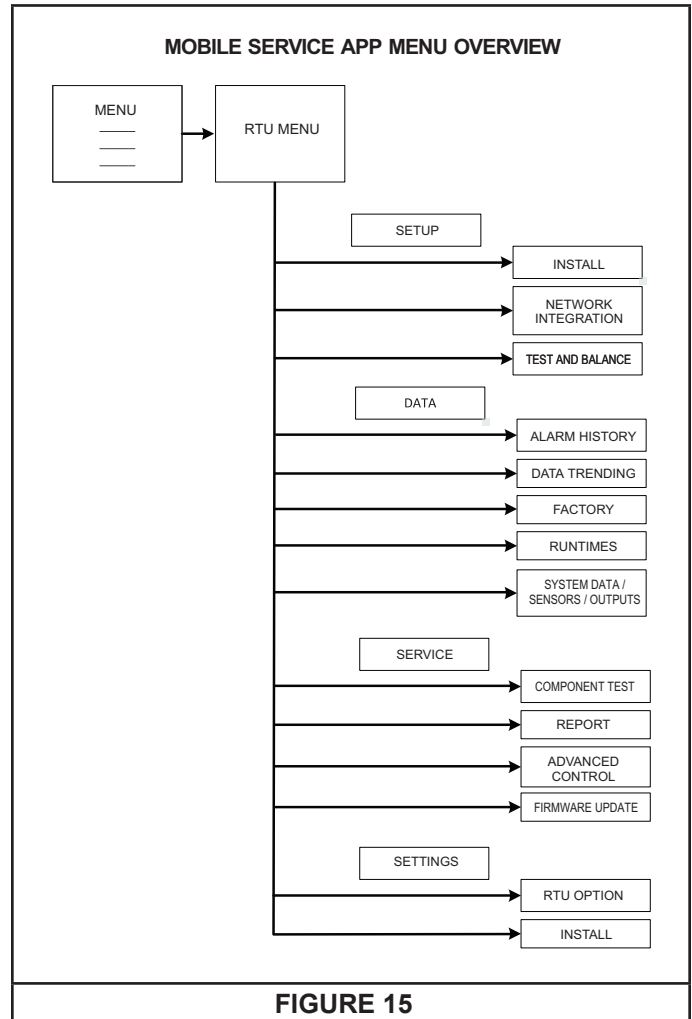


FIGURE 15

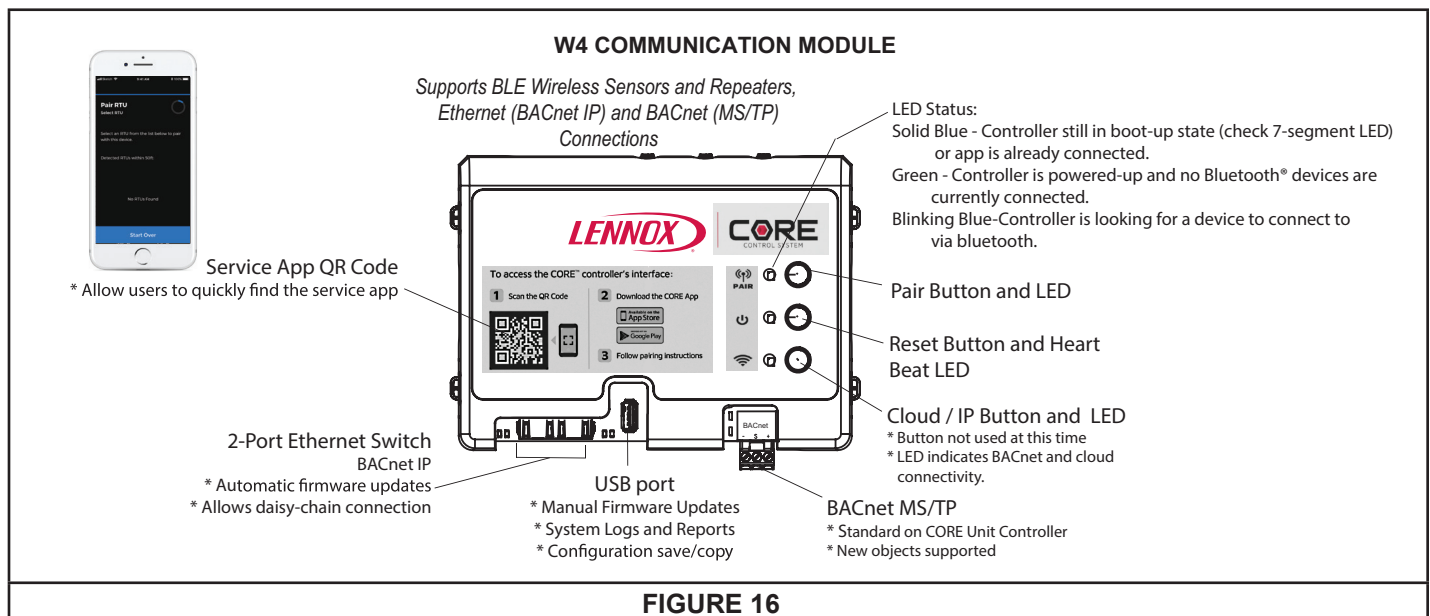
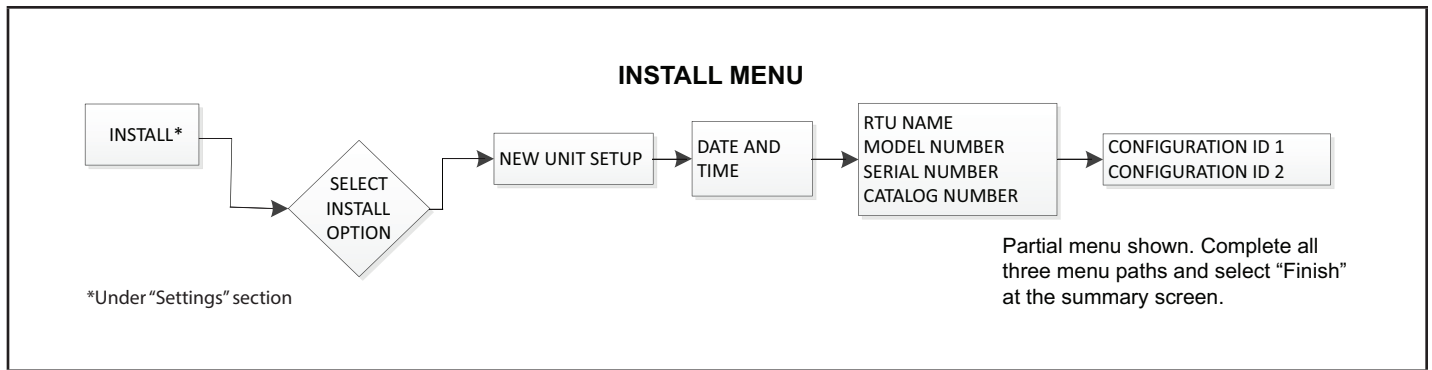
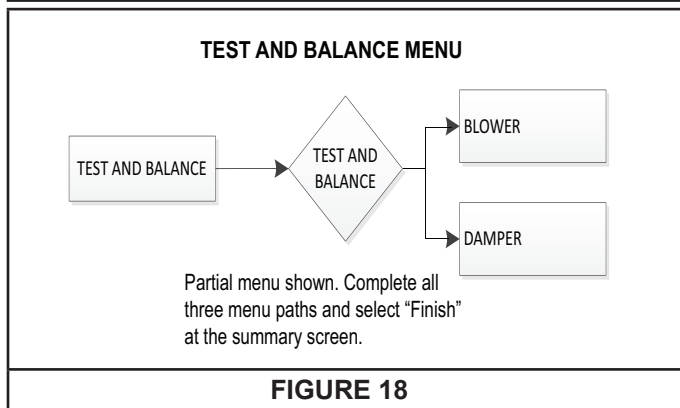


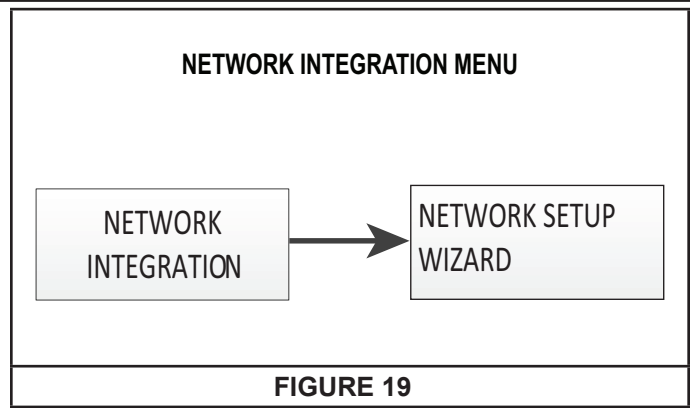
FIGURE 16



**FIGURE 17**



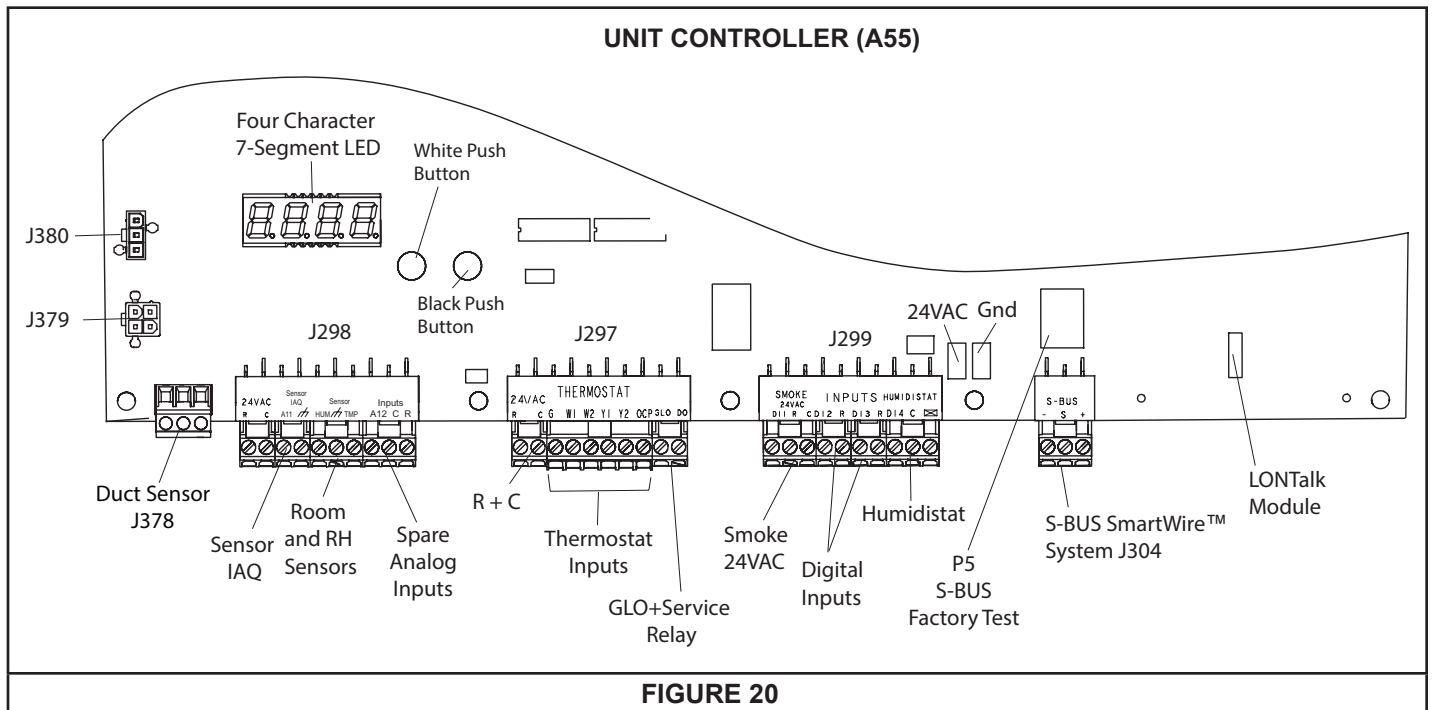
**FIGURE 18**



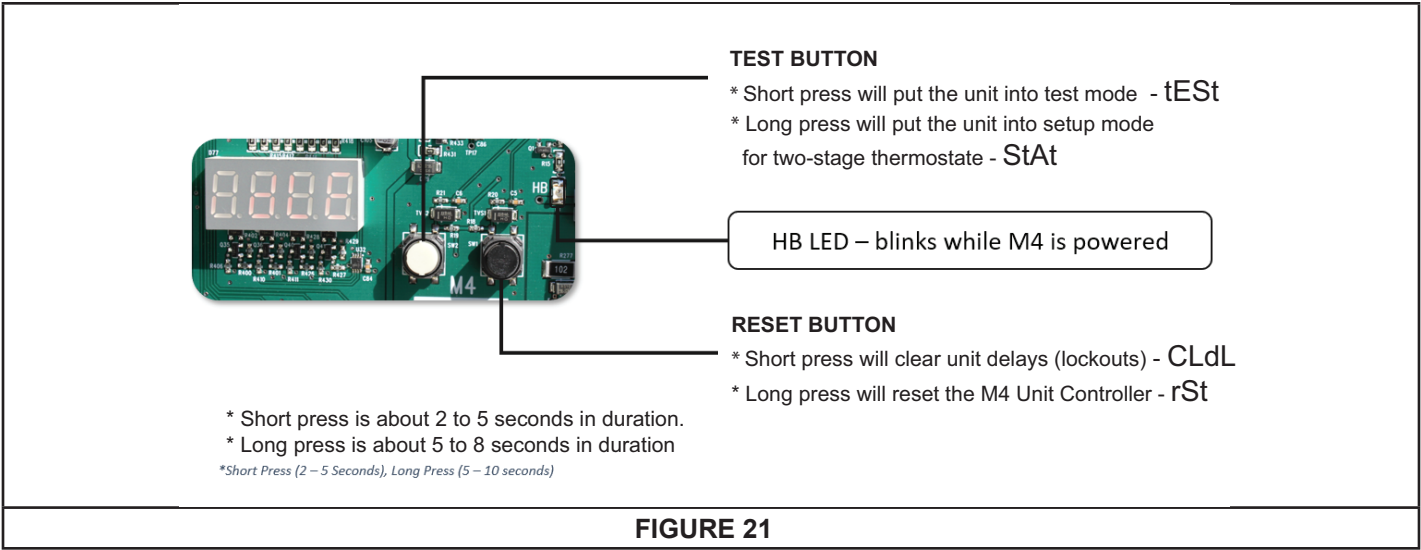
**FIGURE 19**

## E-Unit Controller Components

See FIGURE 20 for Unit Controller components. See FIGURE 21 and TABLE 3 for pushbutton and LED functions.



**FIGURE 20**



**FIGURE 21**

<b>TABLE 3</b>		
<b>UNIT CONTROLLER PUSHBUTTON CODES</b>		
<b>Code</b>	<b>Cause</b>	<b>Action</b>
CLdL	Black Button: Short Press	Clear Delays
rSt	Black Button: Long Press	Reset
tESt	White Button: Short Press	TSTAT Test
StAt	White Button: Long Press (In Pre-Install state)	TSTAT Override
tESt	White Button: Long Press (NOT in Pre-Install State)	TSTAT Test

Short Press : 2 to 5 seconds.  
 Long Press : 5 to 8 seconds.

## Blower Operation and Adjustments

Units are equipped with variable speed, direct drive blowers. The installer is able to enter the design-specified supply air CFM into the Unit Controller for optimal efficiency. The Unit Controller calibrates the supply air volume which eliminates the need to manually take duct static measurements. Refer to *C-Adjusting Unit CFM - Ultra High Efficiency Direct Drive Blowers*.

### ⚠ IMPORTANT

Three phase scroll compressors must be phased sequentially for correct compressor and blower rotation. Follow "COOLING START-UP" section of installation instructions to ensure proper compressor and blower operation.

#### A-Blower Operation

Refer to the Unit Controller Setup Guide to energize blower. Use the mobile service app menu; see:

#### SERVICE > TEST

### ⚠ WARNING

- 1- Make sure that unit is installed in accordance with the installation instructions and applicable codes.
- 2- Inspect all electrical wiring, both field and factory-installed, for loose connections. Tighten as required.
- 3- Check to ensure that refrigerant lines do not rub against the cabinet or against other refrigerant lines.
- 4- Check voltage at disconnect switch. Voltage must be within range listed on nameplate. If not, consult power company and have voltage condition corrected before starting unit.
- 5- Make sure filters are new and in place before start-up.

**Direct-drive motor may not immediately stop when power is interrupted to the Unit Controller. Disconnect unit power before opening the blower compartment. The Controller's digital inputs must be used to shut down the blower. See Unit Controller manual for operation sequences.**

#### B-Determining Unit CFM

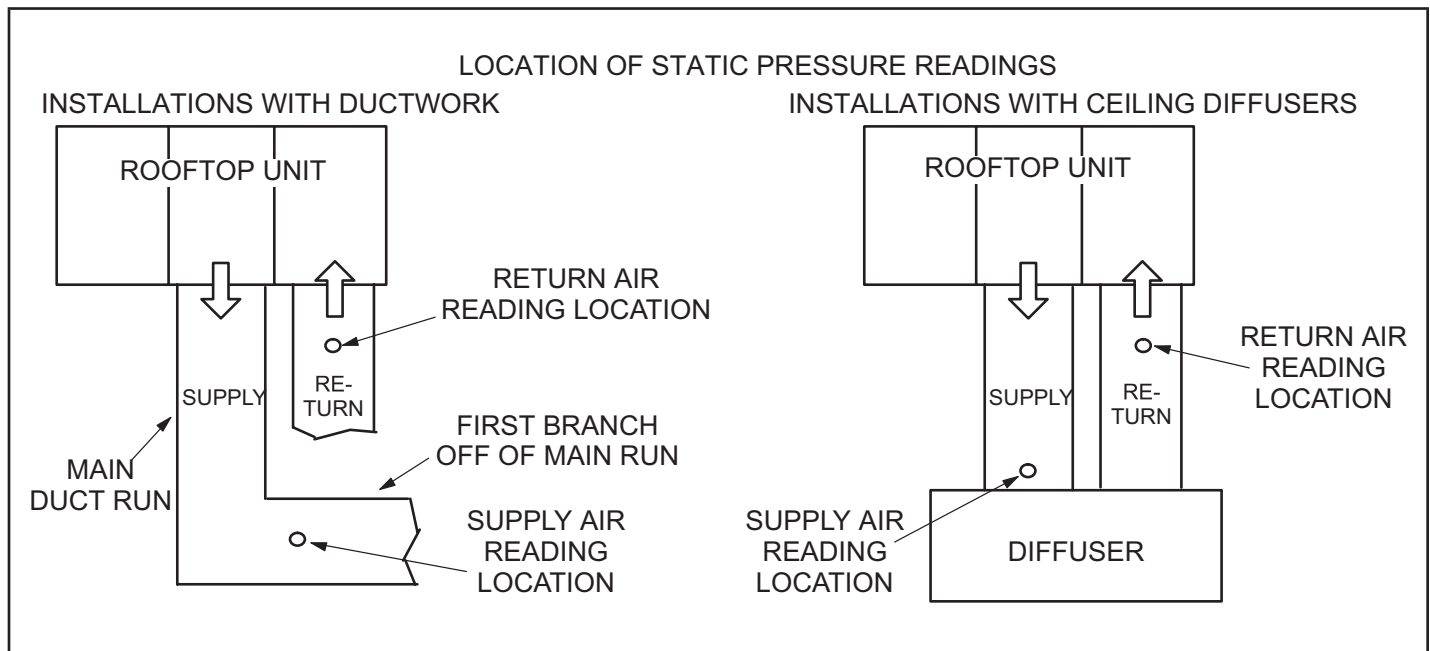
- 1 - The following measurements must be made with air filters in place.
- 2 - With all access panels in place, measure static pressure external to unit (from supply to return). Blower performance data is based on static pressure readings taken in locations shown in FIGURE 22.

**NOTE** - Static pressure readings can vary if not taken where shown.

- 3 - Measure the indoor blower wheel RPM.
- 4 - Referring to the Blower Data tables, use static pressure and RPM readings to determine unit CFM. Use the Accessory Air Resistance tables when installing units with any of the options or accessories listed. Refer to TABLE 4 for minimum airflow when electric heat is installed.

**TABLE 4  
MINIMUM AIRFLOW-LCM UNITS WITH ELECTRIC  
HEAT (DIRECT DRIVE)**

kW	CFM
	Downflow and Horizontal Airflow
LCM036U	1350
LCM048U	1350
LCM060U	1800
LCM074U	



**FIGURE 22**

## C-Adjusting Unit CFM

The supply CFM can be adjusted by changing Unit Controller settings. Refer to TABLE 5 for menu paths and default settings. Record any CFM changes on the parameter settings label located on the inside of the compressor access panel.

### CAUTION

The BLOWER CALIBRATION process starts the in door blower at operational speeds and moves the economizer damper blades. Before starting this process, replace any access panels and close all unit doors except compressor compartment door.

Blower calibration is required only on units that are newly installed or if there is a change in the duct work or air filters after installation. Use the mobile service app to navigate to the **SETUP>TEST & BALANCE>BLOWER** menu.

After the new CFM values are entered, select **START CALIBRATION**. The blower calibration status is displayed as a % complete. Upon successful completion, the mobile service app will display **CALIBRATION SUCCESS** and go back to the blower calibration screen.

*IMPORTANT - The default value for Cooling Low CFM is lower than a traditional single- or two-speed blower. If operating the unit with a 2 or 3-stage controller (2 or 3-stage thermostat, DDC controller, etc.), it is recommended to increase the Cooling Low CFM default value to a suitable level for part load cooling (typically 60% of full load CFM).*

**TABLE 5  
DIRECT DRIVE PARAMETER SETTINGS**

Parameter	Factory Setting				Field Setting	Description
	036	048	060	074		
<i>NOTE - Any changes to Smoke CFM setting must be adjusted before the other CFM settings. Use SETTINGS &gt; RTU OPTIONS &gt; EDIT PARAMETERS = 12</i>						
BLOWER SMOKE CFM	1200	1600	2000	2400	CFM	Smoke blower speed
<b>SETUP &gt; TEST &amp; BALANCE &gt; BLOWER</b>						
BLOWER HEATING HIGH CFM	1350	1600	2000	2000	CFM	High heat blower speed
BLOWER COOLING HIGH CFM	1100	1450	1825	2200	CFM	High cooling blower speed
BLOWER COOLING LOW CFM	575	750	950	950	CFM	Low cooling blower speed
BLOWER VENTILATION CFM	575	750	950	1150	CFM	Ventilaton blower speed
<b>SETUP &gt; TEST &amp; BALANCE &gt; DAMPER</b>						
BLOWER HIGH CFM DAMPER POS %	0%	0%	0%	0%	%	Minimum damper position for high speed blower operation.
BLOWER LOW CFM DAMPER POS%	0%	0%	0%	0%	%	Minimum damper position for low speed blower operation.
BLOWER EXHAUST DAMPER POS%	50%	50%	50%	50%	%	Minimum damper position for power exhaust operation.
<b>SETTINGS &gt; RTU OPTIONS &gt; EDIT PARAMETERS = 216</b>						
POWER EXHAUST DEADBAND %	10%	10%	10%	10%	%	Deadband % for power exhaust operation.
<b>SETTINGS &gt; RTU OPTIONS &gt; EDIT PARAMETER = 10 (Applies to Thermostat Mode ONLY)</b>						
FREE COOLING STAGE-UP DELAY	300 sec.	300 sec.	300 sec.	300 sec.	sec	Number of seconds to hold indoor blower at low speed before switching to indoor blower at high speed.

*Installer - Circle applicable unit model number and record any parameter changes under "Field Setting" column. Settings need to be recorded by installer for use when Unit Controller is replaced or reprogrammed.*



**BLOWER DATA**

**1.5 HP**

**BLOWER TABLE INCLUDES RESISTANCE FOR BASE UNIT ONLY WITH DRY INDOOR COIL AND AIR FILTERS IN PLACE.**

FOR ALL UNITS ADD:

- 1- Any factory installed options air resistance (heat section, economizer, etc).
- 2- Any field installed accessories air resistance (duct resistance, diffuser, etc).

**Minimum Air Volume Required for Different Gas Heat Sizes:**

Standard Heat - 1075 cfm; Medium Heat - 1150 cfm; High Heat - 15w00 cfm

**DOWNFLOW**

Total Air cfm	Total Static Pressure - in. w.c.																									
	0.1		0.2		0.3		0.4		0.5		0.6		0.7		0.8		0.9		1.0		1.1		1.2		1.3	
	RPM	Watts	RPM	Watts	RPM	Watts	RPM	Watts	RPM	Watts	RPM	Watts	RPM	Watts	RPM	Watts	RPM	Watts	RPM	Watts	RPM	Watts	RPM	Watts	RPM	Watts
400	---	---	734	19	823	40	910	60	985	78	---	---	---	---	---	---	---	---	---	---	---	---	---	---	---	---
600	766	28	856	51	944	73	1029	93	1108	111	1180	127	1248	139	1315	149	1383	158	1451	169	---	---	---	---	---	---
800	899	57	989	81	1079	104	1163	125	1242	145	1317	161	1386	174	1454	185	1519	198	1582	214	1643	234	1701	255	1755	281
1000	1084	95	1163	117	1244	139	1323	160	1398	180	1470	196	1538	211	1603	227	1663	245	1721	267	1776	292	1828	320	1876	350
1200	1319	113	1385	138	1451	162	1517	186	1581	209	1644	231	1703	254	1759	278	1812	306	1863	337	1912	367	1960	397	2003	427
1400	1542	146	1596	177	1649	208	1703	239	1757	269	1809	300	1860	331	1909	362	1956	393	2003	425	2050	456	2095	483	2139	508
1600	1721	225	1772	258	1823	291	1873	324	1923	356	1972	388	2019	419	2065	450	2110	480	2156	510	2200	539	2244	565	2287	590
1800	1909	309	1957	341	2006	373	2054	404	2101	435	2146	465	2190	495	2234	526	2277	557	2320	588	2362	620	2404	651	2444	685
2000	2103	385	2148	417	2193	450	2239	483	2283	516	2325	550	2367	584	2408	620	2449	658	2490	696	2529	735	2568	777	2605	822
2200	2299	478	2342	514	2384	552	2426	590	2467	630	2507	671	2547	714	2586	757	2625	800	2663	844	2700	889	2735	935	2770	982
2400	2500	606	2540	647	2580	690	2618	734	2656	779	2694	824	2731	870	2768	915	2804	961	2839	1006	2874	1051	2907	1096	2941	1141
2600	2704	768	2741	810	2778	855	2813	901	2849	947	2884	993	2918	1039	2952	1085	2986	1129	3019	1173	3051	1217	3083	1259	3115	1300
2800	2908	941	2943	985	2976	1030	3010	1076	3042	1121	3075	1166	3107	1210	3139	1253	3170	1296	3200	1338	3231	1379	3261	1419	3290	1456
3000	3110	1111	3142	1156	3173	1201	3205	1245	3236	1289	3267	1332	3296	1373	3325	1414	3354	1455	3382	1496	3412	1536	3439	1573	3465	1609

Total Air cfm	Total Static Pressure - in. w.g.																	
	1.4		1.5		1.6		1.7		1.8		1.9		2.0					
	RPM	Watts	RPM	Watts	RPM	Watts	RPM	Watts	RPM	Watts	RPM	Watts	RPM	Watts				
800	1805	309	1850	337	1895	366	1940	392	---	---	---	---	---					
1000	1920	380	1962	410	2005	439	2050	466	2094	492	2138	517	2181	541				
1200	2045	456	2087	484	2130	510	2174	537	2217	563	2260	589	2302	615				
1400	2182	531	2225	555	2268	581	2310	610	2352	640	2393	671	2433	703				
1600	2330	616	2371	645	2412	678	2452	713	2491	750	2530	787	2568	824				
1800	2484	723	2523	765	2561	808	2598	849	2636	890	2672	931	2708	971				
2000	2641	868	2677	915	2713	961	2749	1003	2784	1044	2819	1084	2853	1124				
2200	2804	1028	2839	1072	2873	1114	2907	1155	2940	1194	2973	1234	3006	1272				
2400	2974	1184	3006	1225	3039	1266	3071	1305	3103	1344	3134	1382	3166	1420				
2600	3146	1340	3177	1379	3207	1417	3238	1456	3269	1494	3299	1532	3329	1569				
2800	3319	1493	3347	1530	3376	1567	3406	1605	3435	1643	3465	1681	3495	1718				
3000	3491	1644	3517	1680	3543	1716	3572	1754	3602	1792	3631	1830	3661	1867				

## BLOWER DATA

### FACTORY INSTALLED OPTIONS/FIELD INSTALLED ACCESSORY AIR RESISTANCE - in. w.g.

Air Volume cfm	Wet Indoor Coil		Condenser Reheat Coil	Gas Heating			Electric Heat	Econo-mizer	Filters		
	036, 048	060, 074		Standard Heat	Medium Heat	High Heat			MERV 8	MERV 13	MERV 16
800	0.01	---	---	0.02	0.02	0.02	0.04	0.01	0.04	0.05	0.04
1000	0.02	0.02	0.00	0.02	0.02	0.02	0.04	0.03	0.04	0.07	0.05
1200	0.03	0.04	0.00	0.02	0.02	0.02	0.04	0.06	0.04	0.07	0.05
1400	0.04	0.05	0.01	0.02	0.02	0.03	0.04	0.09	0.04	0.07	0.06
1600	0.05	0.07	0.02	0.02	0.03	0.04	0.04	0.12	0.04	0.07	0.08
1800	0.06	0.08	0.02	0.03	0.04	0.05	0.05	0.15	0.04	0.07	0.09
2000	0.08	0.10	0.02	0.03	0.04	0.06	0.05	0.18	0.05	0.08	0.10
2200	---	0.11	0.04	0.04	0.04	0.07	0.05	0.18	0.05	0.08	0.11
2400	---	0.13	0.04	0.04	0.05	0.08	0.05	0.20	0.05	0.08	0.12

### POWER EXHAUST FAN PERFORMANCE

Return Air System Static Pressure - in. w.g.	Air Volume Exhausted cfm
0.00	2000
0.05	1990
0.10	1924
0.15	1810
0.20	1664
0.25	1507
0.30	1350
0.35	1210

### CEILING DIFFUSER AIR THROW DATA

Air Volume cfm	Effective Throw - ft.	
	RTD11-95S	FD11-95S
2600	24 - 29	19 - 24
2800	25 - 30	20 - 28
3000	27 - 33	21 - 29

<sup>1</sup>Effective throw based on terminal velocities of 75 ft. per minute.

### CEILING DIFFUSERS AIR RESISTANCE - in. w.g.

Air Volume cfm	RTD11-95S Step-Down Diffuser			FC11-95S Flush Diffuser
	2 Ends Open	1 Side & 1 End Open	All Sides & Ends Open	
1800	0.13	0.11	0.09	0.09
2000	0.15	0.13	0.11	0.10
2200	0.18	0.15	0.12	0.12
2400	0.21	0.18	0.15	0.14
2600	0.24	0.21	0.18	0.17
2800	0.27	0.24	0.21	0.20
3000	0.32	0.29	0.25	0.25

## Refrigerant Leak Detection System

### A-System Test

- 1 - Initiate Refrigerant Leak Detection System Test by using the following mobile service app menu path:  
**RTU MENU > COMPONENT TEST > LEAK DETECTION > START TEST**
- 2 - Ensure that indoor blower, outdoor fan, and combustion air blower (LGM only) are energized.

## Cooling Start-Up

### B-Operation

- 1 - Initiate full load cooling operation using the following mobile service app menu path:

**SERVICE > TEST > COOL > COOL 3**

(COOL 4 on 074U units)

**NOTE** - Refer to Cooling Operation section for ultra high efficiency unit operation in zone sensor mode.

- 2 - Units contain one refrigerant circuit or stage.
- 3 - Unit is charged with R-454B refrigerant. See unit rating plate for correct amount of charge.
- 4 - Refer to Cooling Operation and Adjustment section for proper method to check refrigerant charge.

### C-Compressor Controls

See unit wiring diagram to determine which controls are used on each unit. Optional controls are identified on wiring diagrams by arrows at junction points.

- 1 - High Pressure Switch (S4)

The compressor circuit is protected by a high pressure switch which opens at 640 psig  $\pm$  10 psig (4413 kPa  $\pm$  70 kPa) and automatically resets at 475 psig  $\pm$  20 psig (3275 kPa  $\pm$  138 kPa).

- 2 - Low Pressure Switch (S87)

The compressor circuit is protected by a loss of charge switch. Switch opens at 40 psig  $\pm$  5 psig (276  $\pm$  34 kPa) and automatically resets at 90 psig  $\pm$  5 psig (621 kPa  $\pm$  34 kPa).

- 3 - Prognostics and Diagnostics Sensors (RT42, RT44, RT46, RT48)

Four thermistors are located on specific points in the refrigeration circuit. The thermistors provide constant temperature feedback to the Unit Controller to protect the compressor. Thermistors take the place of the freestat and low ambient pressure switch.

- 4 - Compressor Crankcase Heater (HR1)

Crankcase heater must be energized at all times to prevent compressor damage due to refrigerant migration. Energize crankcase heater 24 hours before unit start-up by setting thermostat so that there is no cooling demand (to prevent compressor from cycling) and apply power to unit.

## D-Refrigerant Charge and Check - All-Aluminum Coil

**WARNING** - Do not exceed nameplate charge under any condition.

This unit is factory charged and should require no further adjustment. If the system requires additional refrigerant, reclaim the charge, evacuate the system, and add required nameplate charge.

Refrigerant Charge R-454B		
Unit	M <sub>c</sub> (lbs)	M <sub>c</sub> (kg)
LCM/LGM036	4.46	2.02
LCM/LGM048	5.66	2.57
LCM/LGM060	5.06	2.29
LCM/LGM072	5.52	2.50
LCM/LGM036 W/ Humidrol	5.02	2.28
LCM/LGM048 W/ Humidrol	5.54	2.51
LCM/LGM060 W/ Humidrol	5.02	2.28
LCM/LGM072 W/ Humidrol	5.54	2.51

In addition to conventional charging procedures, the following requirements shall be followed.

- Ensure that contamination of different refrigerants does not occur when using charging equipment. Hoses or lines shall be as short as possible to minimize the amount of refrigerant contained in them.
- Cylinders shall be kept in an appropriate position according to the instructions.
- Ensure that the unit is earth grounded prior to charging the system with refrigerant.
- Label the system when charging is complete (if not already).
- Extreme care shall be taken not to overfill the unit.

Prior to recharging the system, it shall be pressure-tested with the appropriate purging gas. The system shall be leak-tested on completion of charging but prior to commissioning. A follow up leak test shall be carried out prior to leaving the site.

- When removing refrigerant from a system, either for servicing or decommissioning, it is recommended good practice that all refrigerants are removed safely.
- When transferring refrigerant into cylinders, ensure that only appropriate refrigerant recovery cylinders are employed. Ensure that the correct number of cylinders for holding the total system charge is available. All cylinders to be used are designated for the recovered refrigerant and labelled for that refrigerant (i. e. special cylinders for the recovery of refrigerant). Cylinders shall be complete with pressure-relief valve and associated shut-off valves in good working order. Empty recovery cylinders are evacuated and, if possible, cooled before recovery.
- The recovery equipment shall be in good working order with a set of instructions concerning the equipment that is at hand and shall be suitable for the recovery of all appropriate refrigerants including, when applicable, flammable refrigerants. In ad-

dition, a set of calibrated weighing scales shall be available and in good working order. Hoses shall be complete with leak-free disconnect couplings and in good condition. Before using the recovery machine, check that it is in satisfactory working order, has been properly maintained and that any associated electrical components are sealed to prevent ignition in the event of a refrigerant release. Consult manufacturer if in doubt.

- The recovered refrigerant shall be returned to the refrigerant supplier in the correct recovery cylinder, and the relevant waste transfer note arranged. Do not mix refrigerants in recovery units and especially
- If compressors or compressor oils are to be removed, ensure that they have been evacuated to an acceptable level to make certain that flammable refrigerant does not remain within the lubricant. The evacuation process shall be carried out prior to returning the compressor to the suppliers. Only electric heating to the compressor body shall be employed to accelerate this process. When oil is drained from a system, it shall be carried out safely.

**NOTE** - System charging is not recommended below 60°F (15°C). In temperatures below 60°F (15°C), the charge must be weighed into the system.

If weighing facilities are not available, or to check the charge, use the following procedure:

- 1 - Make sure outdoor coil is clean. Attach gauge manifolds and operate unit at full CFM in cooling mode with economizer disabled until system stabilizes (approximately five minutes). Make sure all outdoor air dampers are closed.

- 2 - Compare the normal operating pressures to the pressures obtained from the gauges. Check unit components if there are significant differences.
- 3 - Measure the outdoor ambient temperature and the suction pressure. Refer to the charging curve to determine a target liquid temperature.

**NOTE** - Pressures are listed for sea level applications.

- 4 - Use the same thermometer to accurately measure the liquid temperature (in the outdoor section).
  - If measured liquid temperature is higher than the target liquid temperature, add refrigerant to the system.
  - If measured liquid temperature is lower than the target liquid temperature, recover some refrigerant from the system..
- 5 - Add or remove charge in increments. Allow the system to stabilize each time refrigerant is added or removed.
- 6 - Continue the process until measured liquid temperature agrees with the target liquid temperature. Do not go below the target liquid temperature when adjusting charge. Note that suction pressure can change as charge is adjusted.
- 7 - Example: At 95°F outdoor ambient and a measured suction pressure of 130psig, the target liquid temperature is 97°F. For a measured liquid temperature of 106°F, add charge in increments until measured liquid temperature agrees with the target liquid temperature.

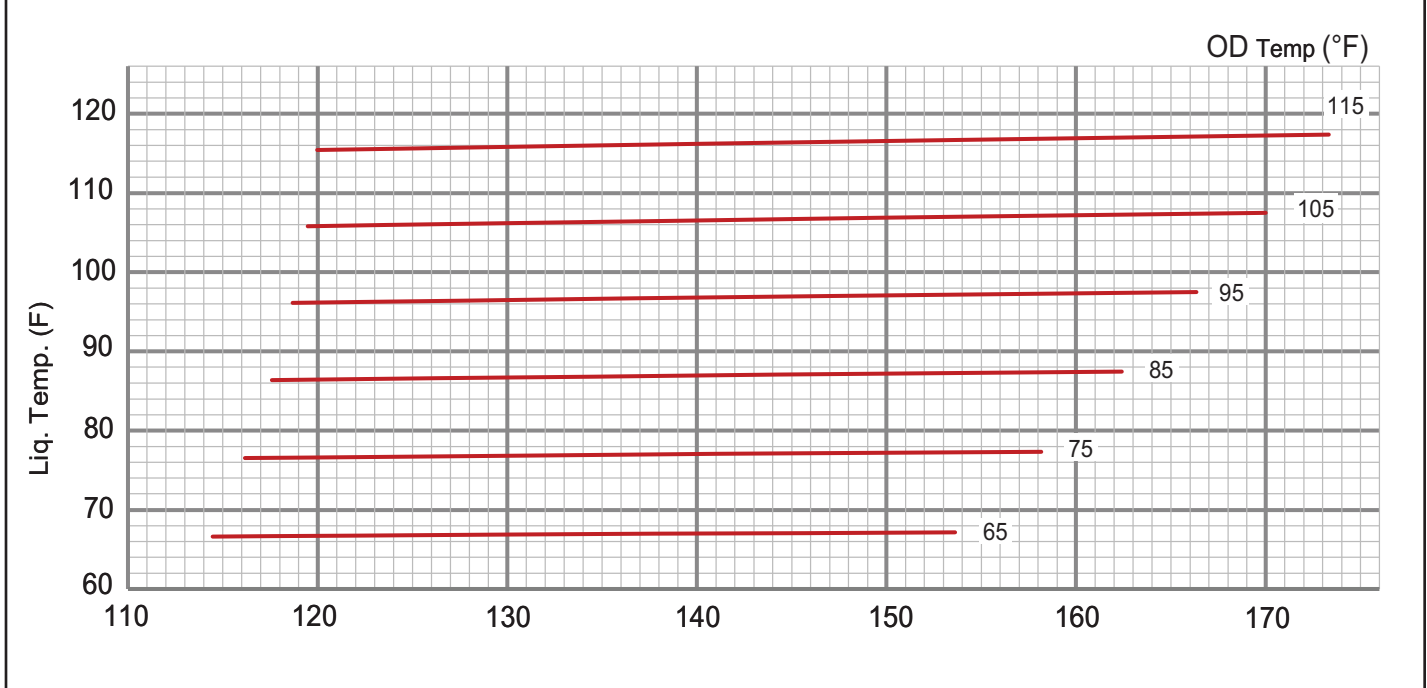
**TABLE 6**

**036 Normal Operating Pressures - No Reheat - All-Aluminum Coil - 581223-01**

**Outdoor Coil Entering Air Temperature**

65°F		75°F		85°F		95°F		105°F		115°F	
Suct (psig)	Disc (psig)	Suct (psig)	Disc (psig)	Suct (psig)	Disc (psig)	Suct (psig)	Disc (psig)	Suct (psig)	Disc (psig)	Suct (psig)	Disc (psig)
114	214	116	251	118	292	119	340	119	392	120	449
122	216	124	253	126	294	128	341	129	393	131	450
138	222	141	257	144	298	147	344	150	395	152	452
154	228	158	263	162	303	166	348	170	399	173	454

**036 Charging Curve - No Reheat - All-Aluminum Coil - 581223-01**



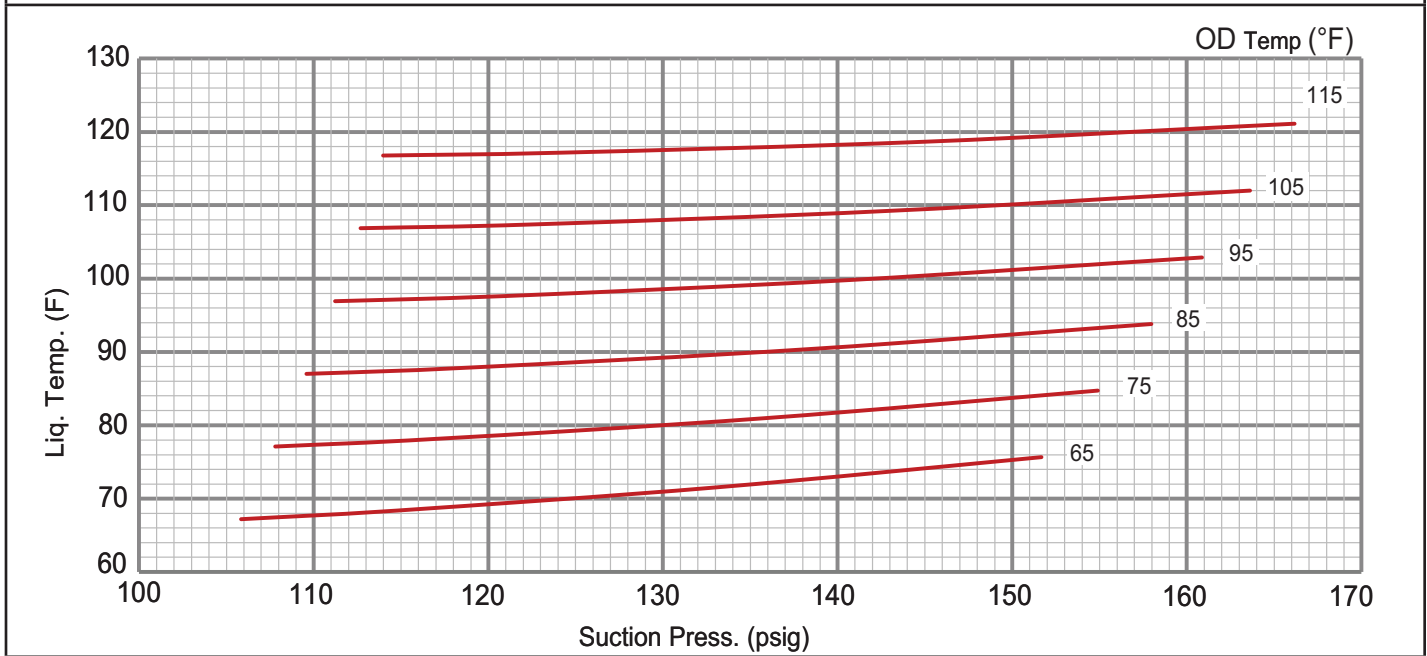
**TABLE 7**

**048 Normal Operating Pressures - No Reheat - All-Aluminum Coil - 581224-01**

**Outdoor Coil Entering Air Temperature**

65°F		75°F		85°F		95°F		105°F		115°F	
Suct (psig)	Disc (psig)	Suct (psig)	Disc (psig)	Suct (psig)	Disc (psig)	Suct (psig)	Disc (psig)	Suct (psig)	Disc (psig)	Suct (psig)	Disc (psig)
106	224	108	259	110	300	111	347	113	400	114	459
115	227	117	261	119	302	121	349	123	401	124	460
133	235	136	269	138	309	141	354	143	406	145	463
152	247	155	280	158	318	161	363	164	413	166	470

**048 Charging Curve - No Reheat - All-Aluminum Coil - 581224-01**





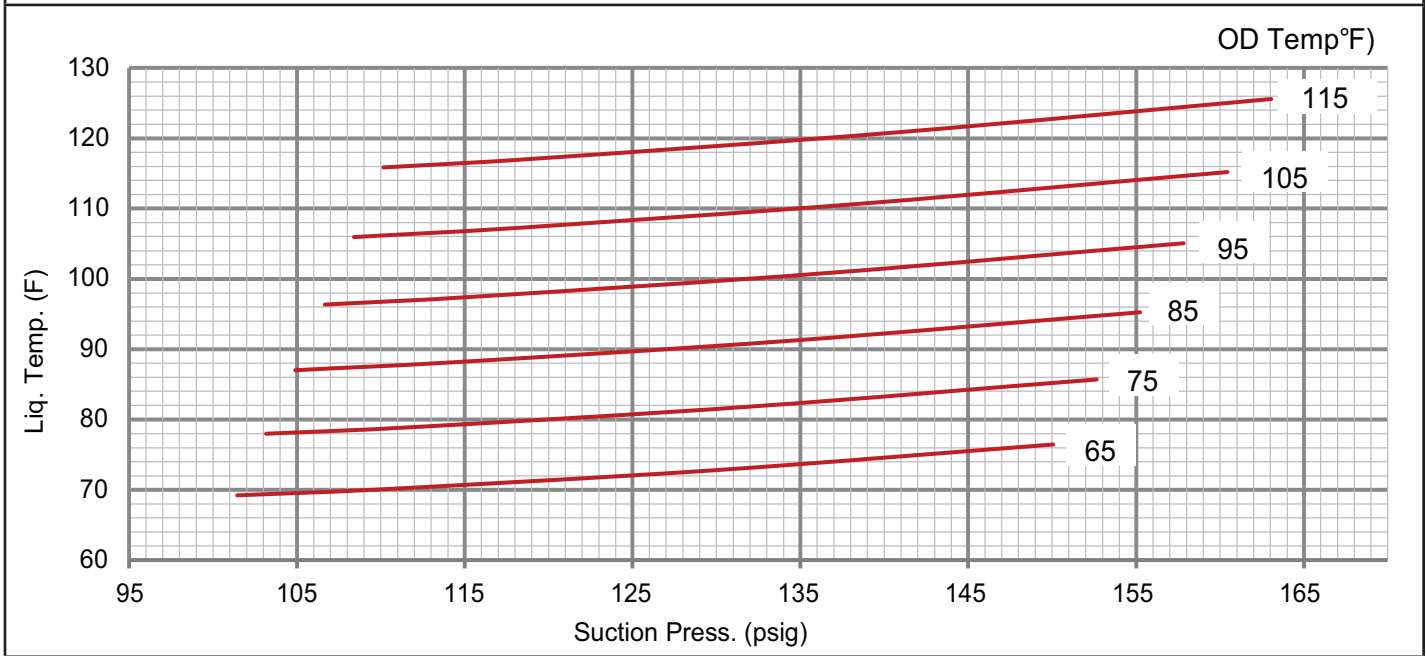
**TABLE 8**

**060 Normal Operating Pressures - No Reheat - All-Aluminum Coil - 581225-01**

**Outdoor Coil Entering Air Temperature**

65°F		75°F		85°F		95°F		105°F		115°F	
Suct (psig)	Disc (psig)	Suct (psig)	Disc (psig)	Suct (psig)	Disc (psig)	Suct (psig)	Disc (psig)	Suct (psig)	Disc (psig)	Suct (psig)	Disc (psig)
101	231	103	269	105	313	107	360	108	413	110	471
111	236	112	274	114	317	116	364	118	417	120	475
130	243	132	281	134	324	137	372	139	424	141	482
150	250	153	288	155	331	158	378	160	431	163	488

**060 Charging Curve - No Reheat - All-Aluminum Coil - 581225-01**



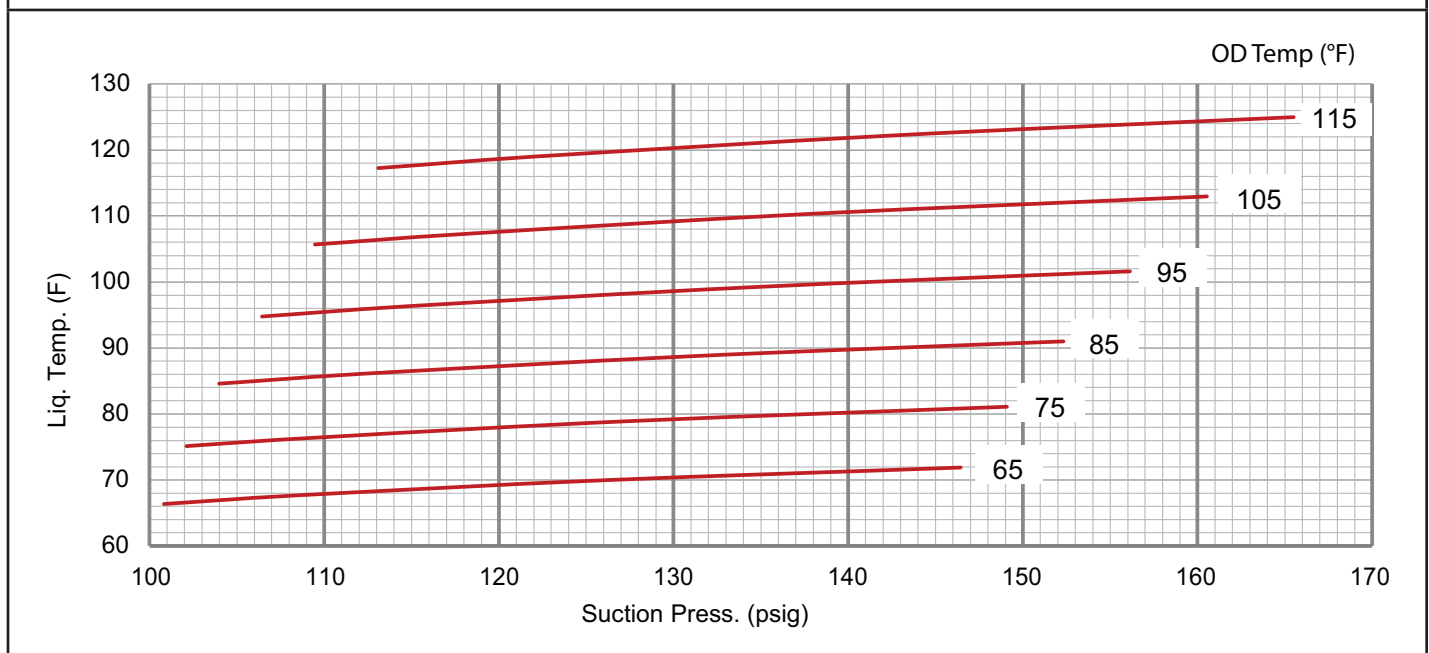
**TABLE 9**

**074 Normal Operating Pressures - No Reheat - All-Aluminum Coil - 581226-01**

**Outdoor Coil Entering Air Temperature**

65°F		75°F		85°F		95°F		105°F		115°F	
Suct (psig)	Disc (psig)	Suct (psig)	Disc (psig)	Suct (psig)	Disc (psig)	Suct (psig)	Disc (psig)	Suct (psig)	Disc (psig)	Suct (psig)	Disc (psig)
101	237	102	279	104	324	106	370	109	419	113	470
108	242	110	284	112	329	115	375	118	424	122	475
126	252	128	294	131	338	134	384	138	433	142	484
146	260	149	302	152	346	156	393	161	441	166	492

**074 Charging Curve - No Reheat - All-Aluminum Coil - 581226-01**



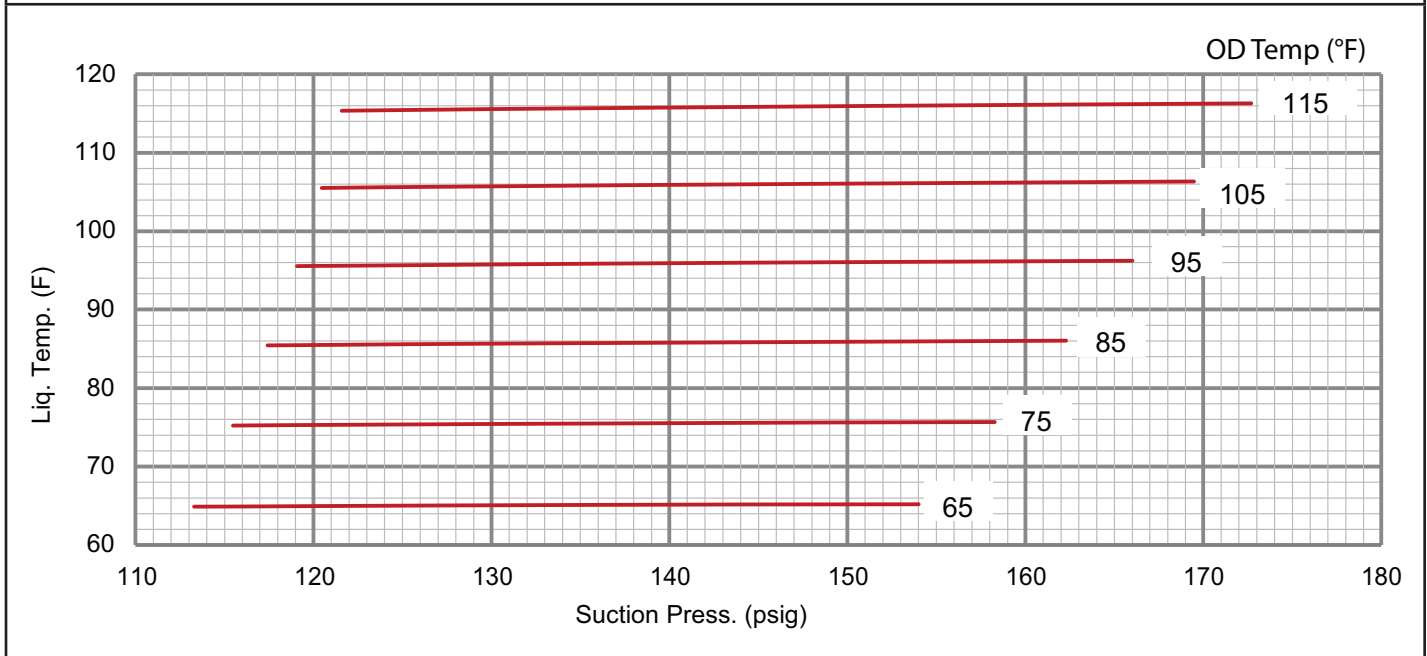
**TABLE 10**

**036 Normal Operating Pressures - Reheat - All-Aluminum Coil - 581267-01**

**Outdoor Coil Entering Air Temperature**

65°F		75°F		85°F		95°F		105°F		115°F	
Suct (psig)	Disc (psig)	Suct (psig)	Disc (psig)	Suct (psig)	Disc (psig)	Suct (psig)	Disc (psig)	Suct (psig)	Disc (psig)	Suct (psig)	Disc (psig)
113	217	115	252	117	291	119	335	120	384	122	437
120	219	123	254	125	293	127	338	129	386	131	440
136	224	140	259	143	299	146	343	148	392	151	445
154	229	158	264	162	304	166	348	169	397	173	451

**036 Charging Curve - Reheat - All-Aluminum Coil - 581267-01**



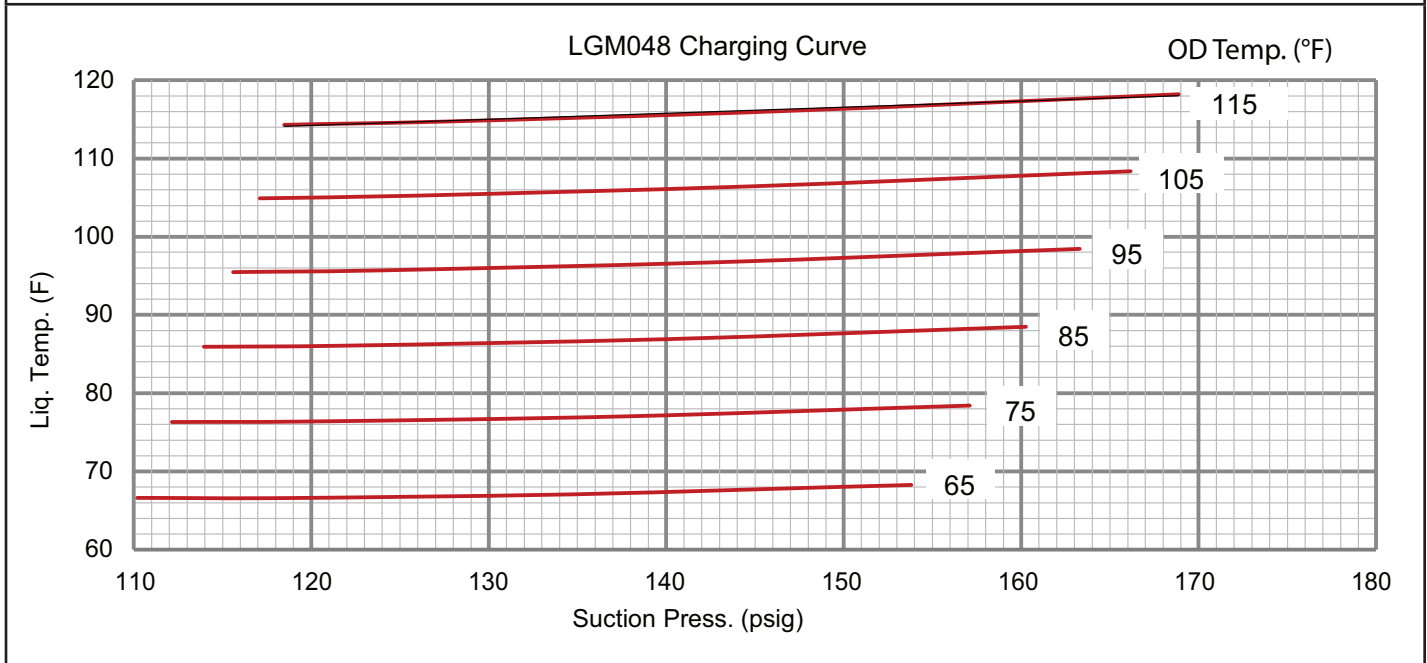
**TABLE 11**

**048 Normal Operating Pressures - Reheat - All-Aluminum Coil - 581268-01**

**Outdoor Coil Entering Air Temperature**

65°F		75°F		85°F		95°F		105°F		115°F	
Suct (psig)	Disc (psig)	Suct (psig)	Disc (psig)	Suct (psig)	Disc (psig)	Suct (psig)	Disc (psig)	Suct (psig)	Disc (psig)	Suct (psig)	Disc (psig)
110	228	112	264	114	304	116	348	117	396	118	448
118	232	120	268	122	309	124	353	126	401	127	454
135	239	137	276	140	317	143	362	145	411	147	464
154	245	157	283	160	324	163	370	166	420	169	473

**048 Charging Curve - Reheat - All-Aluminum Coil - 581268-01**



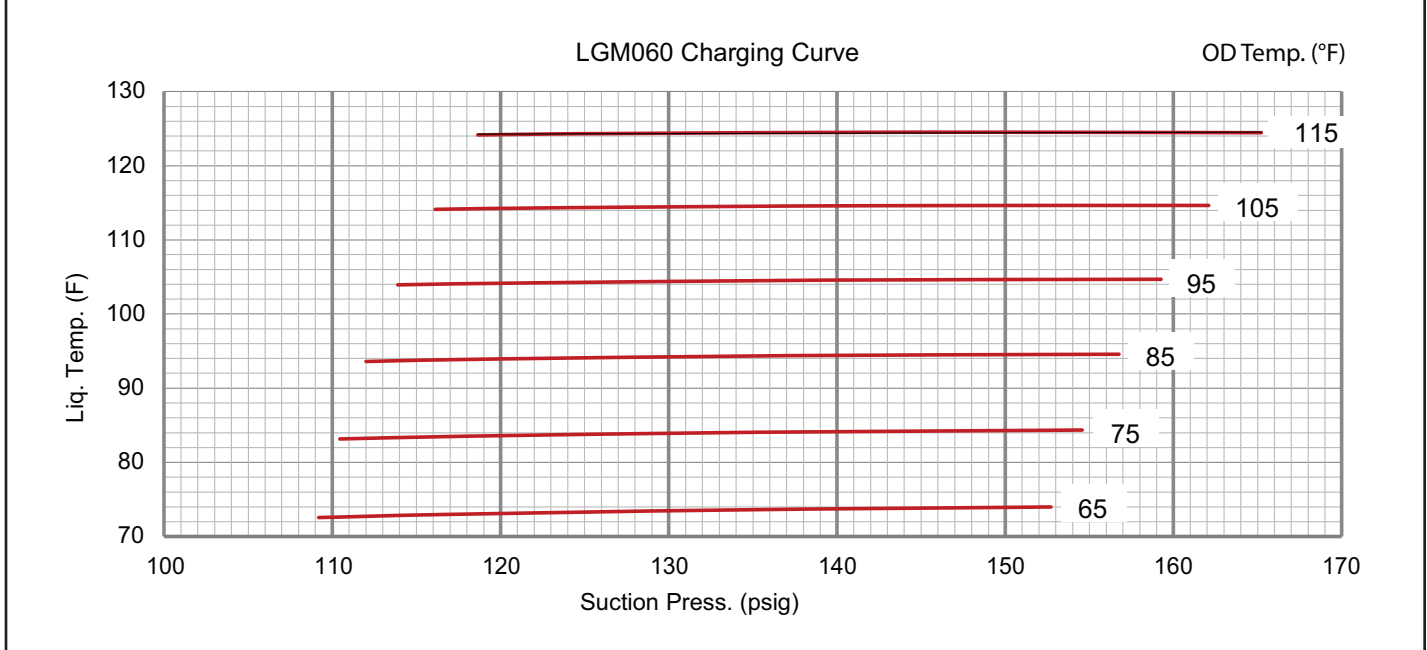
**TABLE 12**

**060 Normal Operating Pressures - Reheat - All-Aluminum Coil - 581269-01**

**Outdoor Coil Entering Air Temperature**

65°F		75°F		85°F		95°F		105°F		115°F	
Suct (psig)	Disc (psig)	Suct (psig)	Disc (psig)	Suct (psig)	Disc (psig)	Suct (psig)	Disc (psig)	Suct (psig)	Disc (psig)	Suct (psig)	Disc (psig)
109	233	110	269	112	308	114	352	116	400	119	453
117	241	118	277	120	318	122	363	124	412	127	465
133	253	135	291	137	333	139	380	142	431	145	486
153	259	155	299	157	344	159	392	162	445	165	502

**060 Charging Curve - Reheat - All-Aluminum Coil - 581269-01**



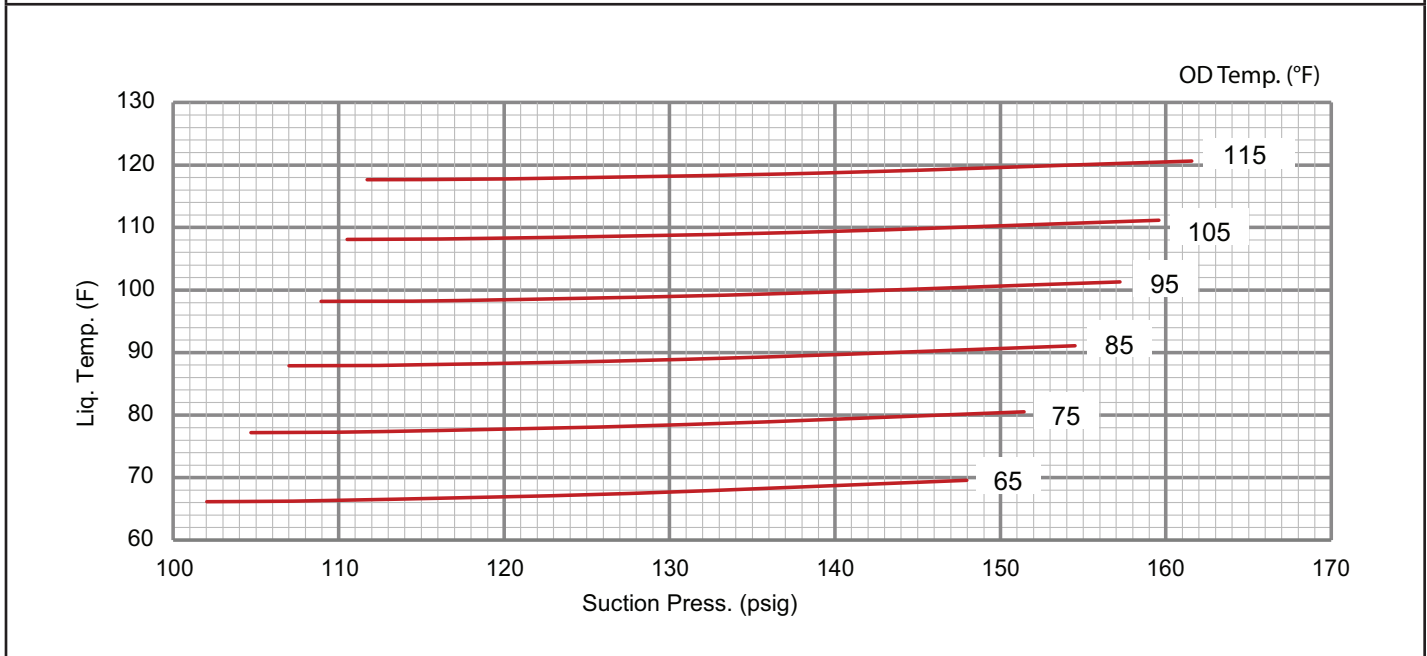
**TABLE 13**

**074 Normal Operating Pressures - Reheat - All-Aluminum Coil - 581270-01**

**Outdoor Coil Entering Air Temperature**

65°F		75°F		85°F		95°F		105°F		115°F	
Suct (psig)	Disc (psig)	Suct (psig)	Disc (psig)	Suct (psig)	Disc (psig)	Suct (psig)	Disc (psig)	Suct (psig)	Disc (psig)	Suct (psig)	Disc (psig)
102	244	105	280	107	321	109	366	111	417	112	472
110	251	113	288	115	329	117	375	119	426	120	482
128	262	131	300	133	343	136	391	138	443	140	500
148	270	151	309	155	353	157	402	160	456	162	514

**074 Charging Curve - Reheat - All-Aluminum Coil - 581270-01**





**Prognostic & Diagnostic Sensors**

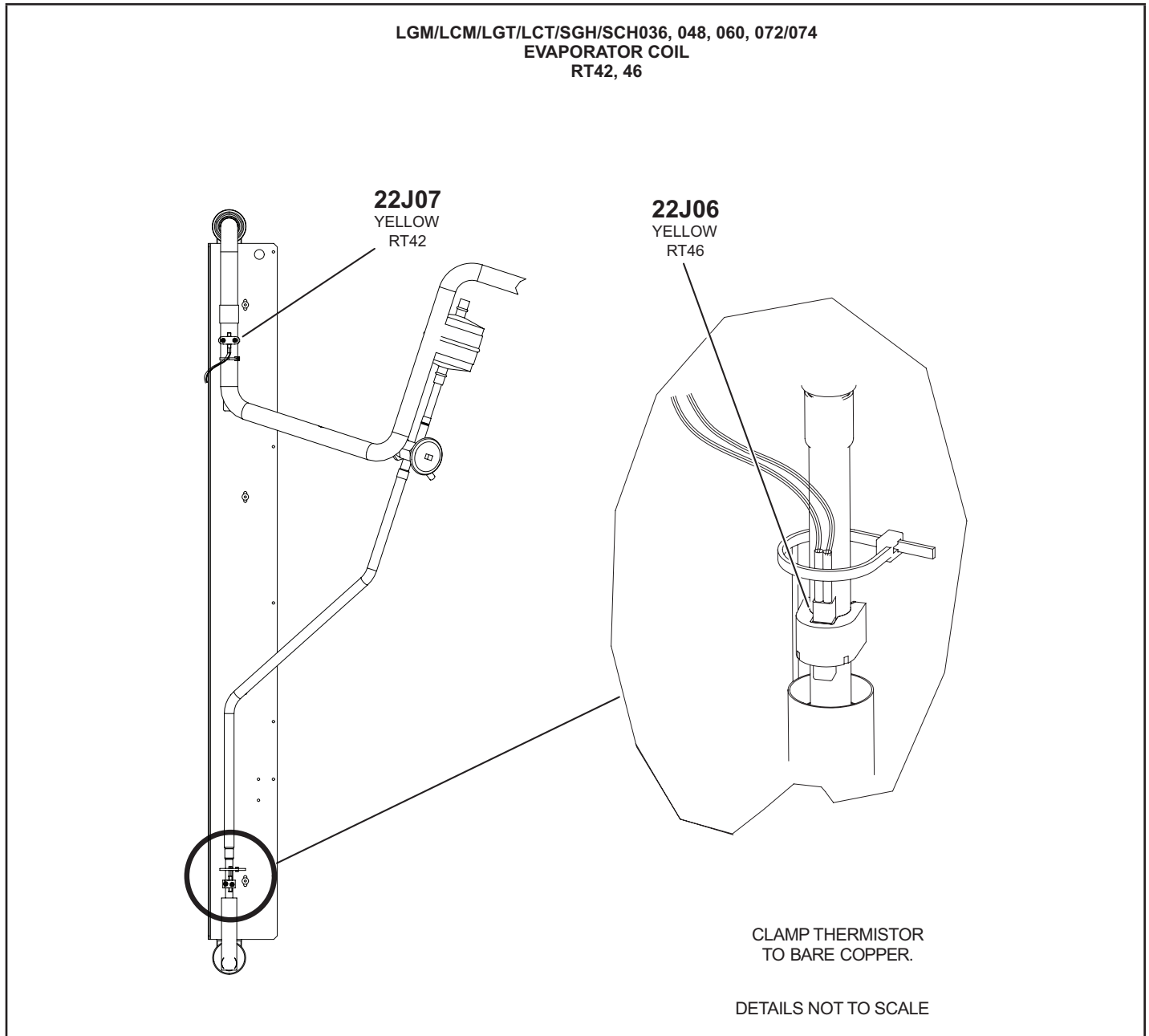
Units are equipped with four factory-installed thermistors (RT42, RT44, RT46, and RT48) located on different points on the refrigerant circuit.

The thermistors provide the Unit Controller with constant temperature readings of four specific locations on the refrigeration circuit. These temperatures are used as feedback in certain modes of unit operation. In addition, the Unit Controller uses these temperatures to initiate alarms such as loss of condenser or evaporator airflow and loss of charge.

Each thermistor must be specifically placed for proper unit operation and to initiate valid alarms. See TABLE 14 for proper locations.

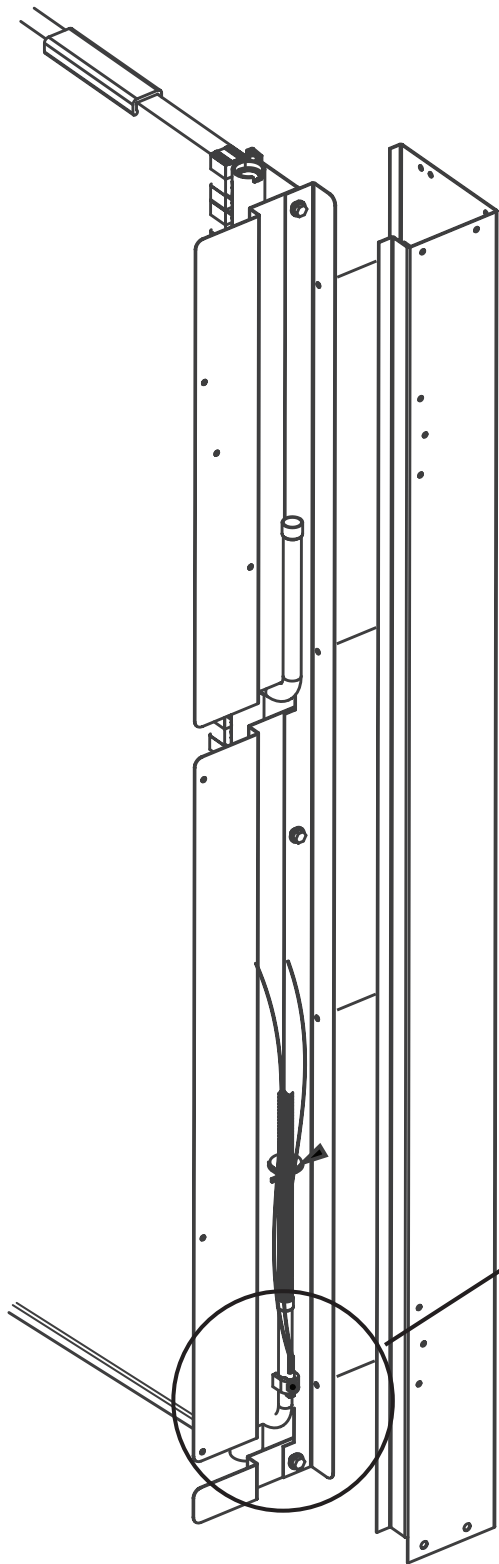
**TABLE 14  
THERMISTOR LOCATION**

Sensor	Figure
RT42, RT46	FIGURE 23
RT44	FIGURE 24
RT48	FIGURE 25

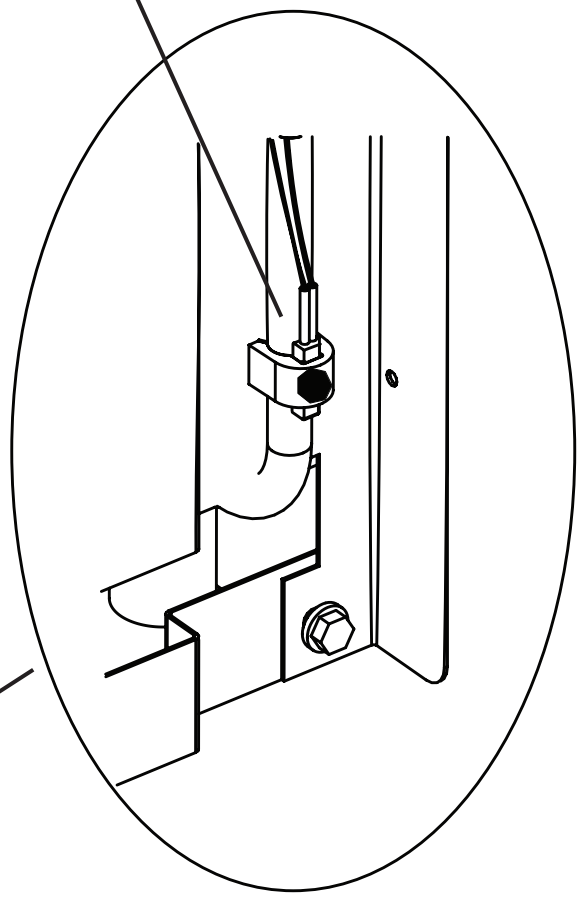


**FIGURE 23**

LGM/LCM036, 048, 060, 074U5  
CONDENSER COIL  
(RT44)



**22J09**  
YELLOW  
RT44



CLAMP THERMISTOR  
TO BARE COPPER.

DETAILS NOT TO SCALE

FIGURE 24

LCM/LGM036, 048, 060, 074  
CONDENSER COIL  
RT48

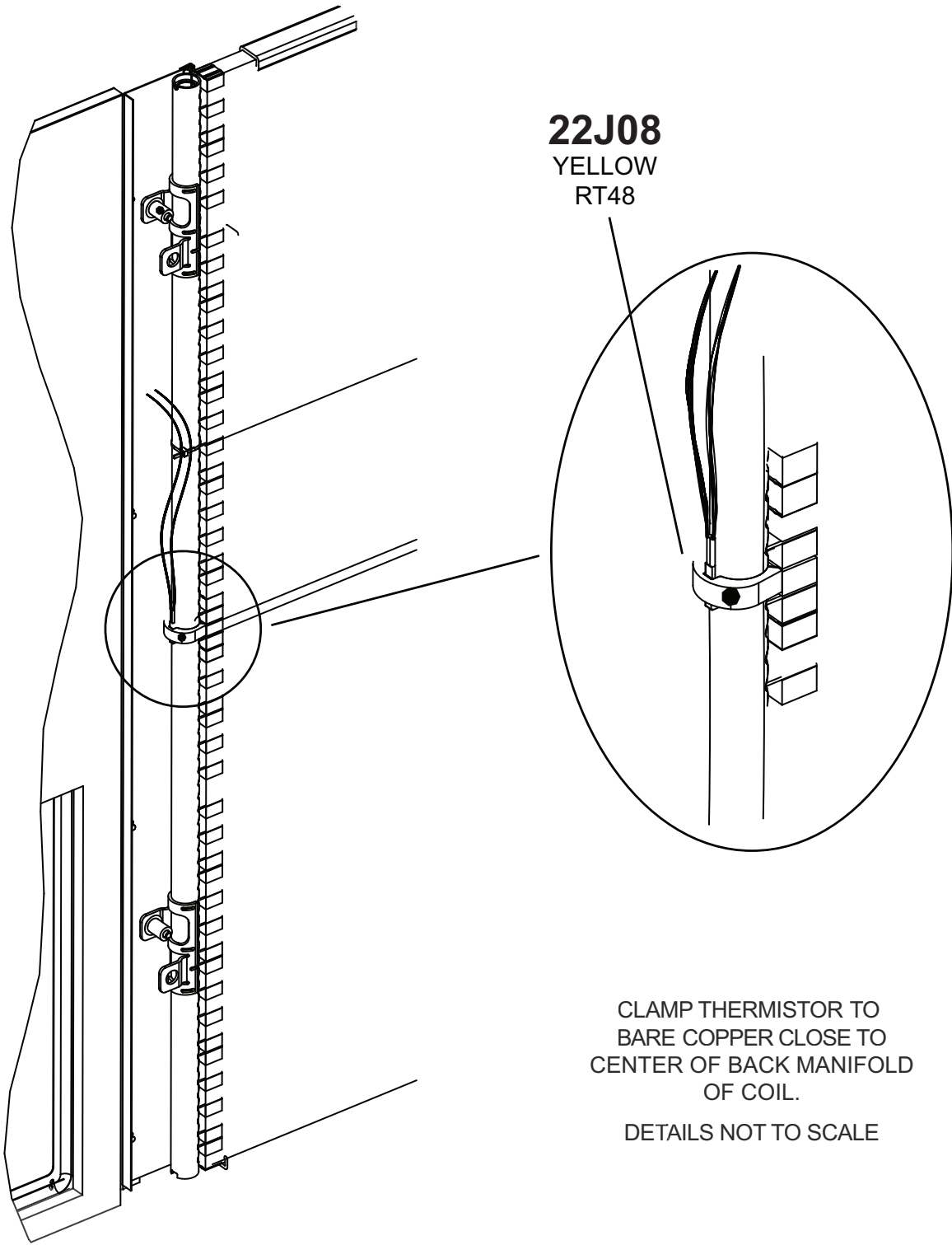


FIGURE 25

## RDS Sensors

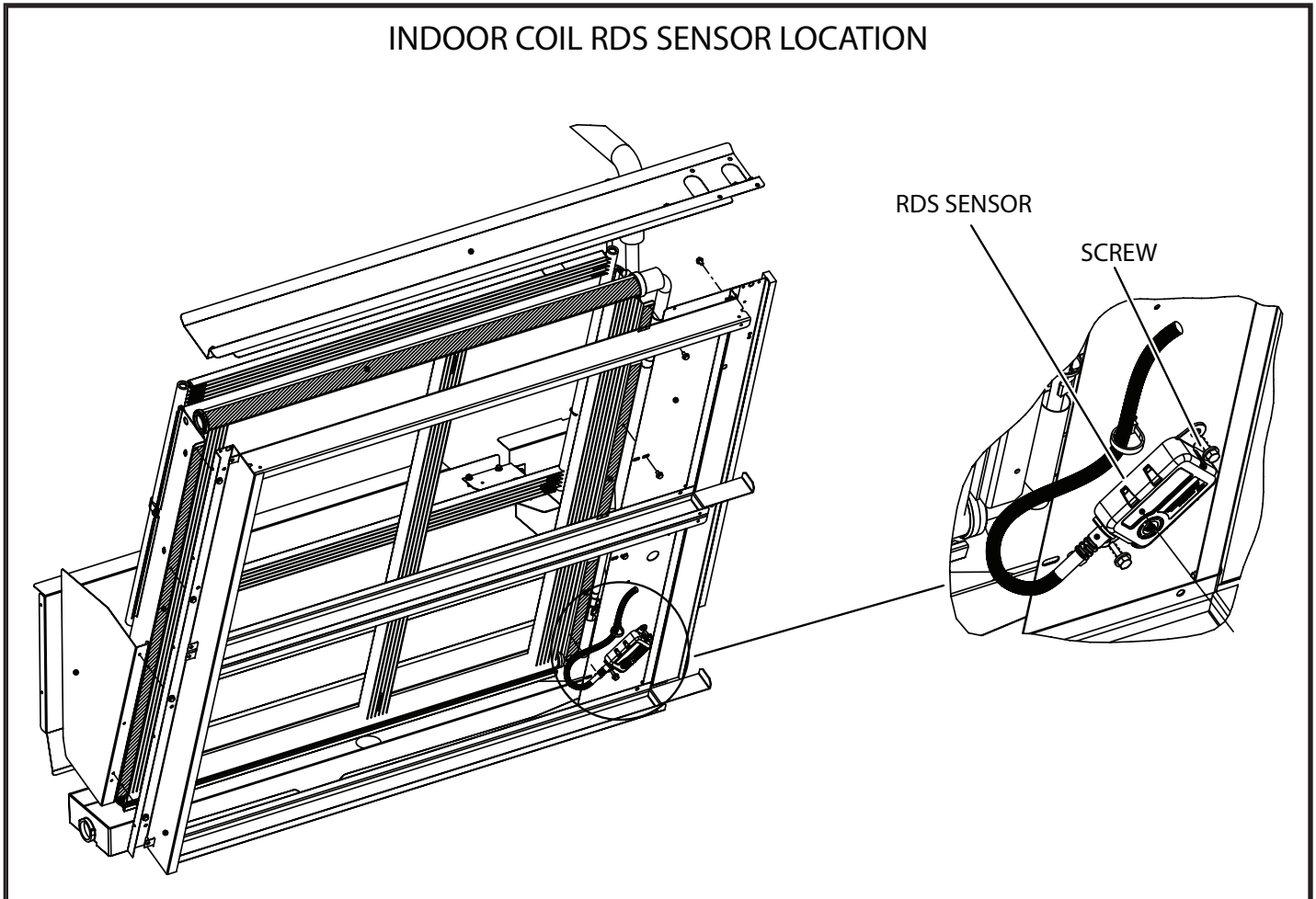
Units are equipped with factory-installed RDS Sensors located on different points on the unit. The RDS sensors provide the Unit Controller with continuous readings for leaked refrigerant concentration levels and sensor health status (Good or Fault). These readings are used to modify unit operation to disperse the leaked refrigerant and to remove possible ignition sources. In addition, the Unit Controller uses these readings to initiate alarms to alert the operator of a refrigerant leak or faulty sensor(s).

Each sensor must be specifically placed for proper unit operation and to initiate valid alarms. To identify sensor locations see TABLE 15.

**TABLE 15**

RDS Sensor Figures			
Model	Qty.	Type	Figure
LGM036-074	2 sensors	INDOOR SENSOR	FIGURE 27
		COMPRESSOR SENSOR	FIGURE 28
LCM036-074	1 sensor	INDOOR SENSOR	FIGURE 27

### INDOOR COIL RDS SENSOR LOCATION



**FIGURE 26**

# COMPRESSOR RDS SENSOR LOCATION

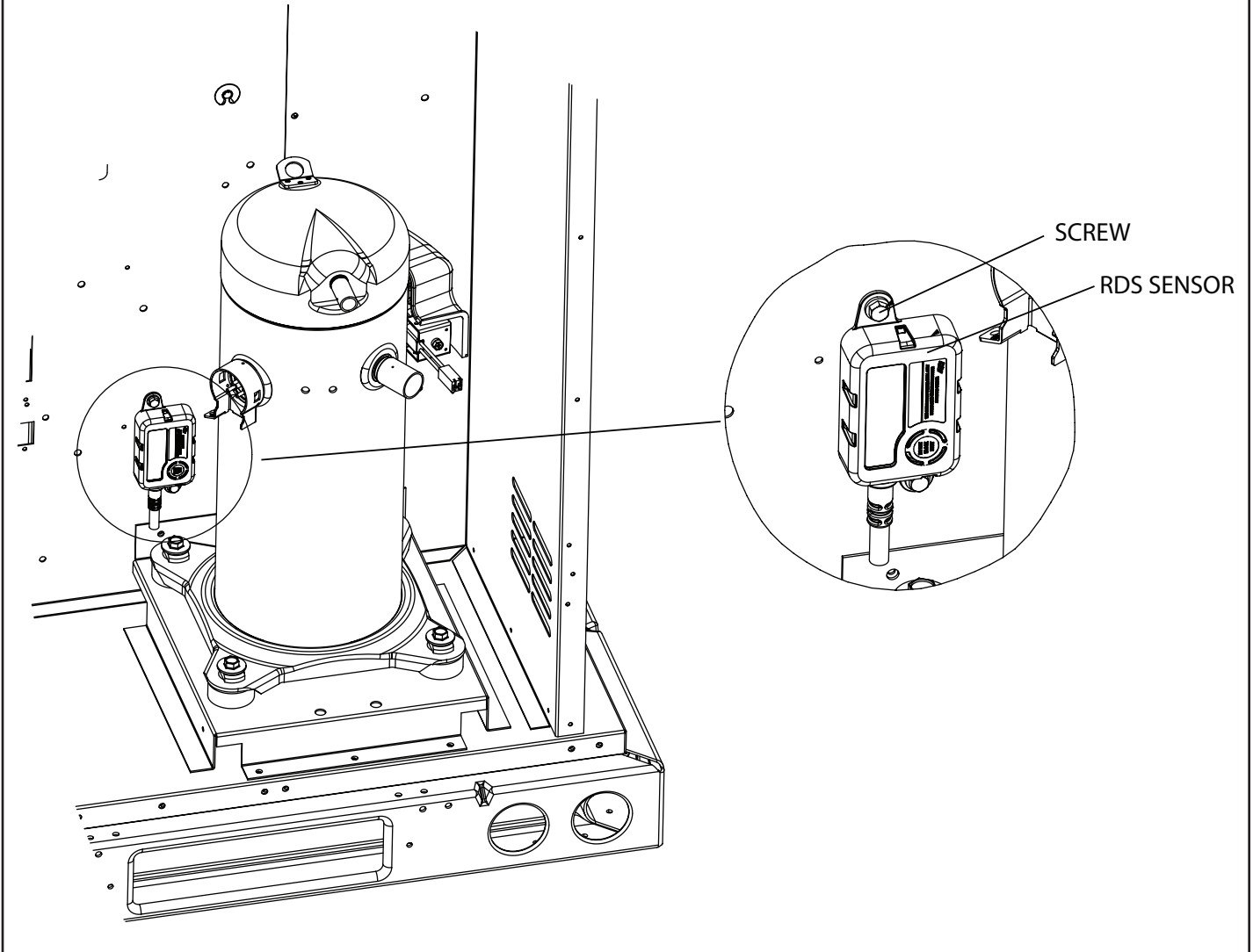


FIGURE 27

## Cooling Operation

### A-Two-Stage Thermostat

#### 1 - Economizer With Outdoor Air Suitable

##### Y1 Demand -

Compressor Off  
Blower Low Dampers Modulate

##### Y2 Demand -

Compressor Modulates Blower Low  
Dampers Full Open

**NOTE** - Compressor is energized after damper has been at full open for three minutes.

#### 2 - No Economizer or Outdoor Air Not Suitable

##### Y1 Demand -

Compressor Modulates  
Blower Low  
Dampers Minimum Position

##### Y2 Demand -

Compressor Modulates  
Blower High  
Dampers Minimum Position

### B-Three-Stage Thermostat OR Room Sensor

#### 1 - Economizer With Outdoor Air Suitable

##### Y1 Demand -

Compressors Off  
Blower Low Dampers Modulate

##### Y2 Demand -

Compressor Modulates Blower Low  
Dampers Full Open

**NOTE** - Compressor is energized after damper has been at full open for three minutes.

##### Y3 Demand -

Compressor Modulates Blower High  
Dampers Full Open

#### 2 - No Economizer or Outdoor Air Not Suitable

##### Y1 Demand -

Compressor Modulates  
Blower Low  
Dampers Minimum Position

##### Y2 Demand -

Compressor Modulates  
Blower Mid  
Dampers Minimum Position

##### Y3 Demand -

Compressor Modulates  
Blower High  
Dampers Minimum Position

### C-Zone Sensor

#### 1 - Economizer With Outdoor Air Suitable

##### Low Cooling Demand -

Compressor Off  
Blower Variable  
Dampers Modulate

##### High Cooling Demand -

Compressor Variable  
Blower Variable  
Dampers Full Open

**NOTE** - Compressor is energized after damper has been at full open for three minutes.

**NOTE** - Free cooling is locked out when a dehumidification demand is received. The unit operates in dehumidification mode as if the outdoor air is not suitable.

#### 2 - No Economizer or Outdoor Air Not Suitable

##### Any Demand -

Compressor Variable  
Blower Variable  
Damper Minimum Position

### D-Verify Proper Operation In Zone Sensor Mode

The Unit Controller (A55) communicates the appropriate frequency (speed) to the compressor inverter (A192) to match the cooling load. Because the cooling load varies, the Unit Controller provides a test mode to initiate a predictable compressor speed. Use the following mobile service app menu paths to change the compressor speed and verify discharge and suction pressures are changing appropriately. When the compressor speed increases, the discharge pressure will increase proportionately and the suction pressure will decrease proportionately. When the compressor speed decreases, the discharge pressure will decrease proportionately and the suction pressure will increase proportionately.

#### 036, 048, 060U

High speed compressor operation:

**SERVICE > TEST > COOL > COOL 3**

Intermediate speed compressor operation:

**SERVICE > TEST > COOL > COOL 2**

Low speed compressor operation

**SERVICE > TEST > COOL > COOL 1**

#### 074U Only

High speed compressor operation:

**SERVICE > TEST > COOL > COOL 4**

First intermediate speed compressor operation:

**SERVICE > TEST > COOL > COOL 3**

Second intermediate speed compressor operation:

**SERVICE > TEST > COOL > COOL 2**

Low speed compressor operation:

**SERVICE > TEST > COOL > COOL 1**



## Gas Heat Start-Up (Gas Units)

FOR YOUR SAFETY READ BEFORE LIGHTING

### **⚠ WARNING**



Electric shock hazard. Can cause injury or death. Do not use this unit if any part has been under water. Immediately call a qualified service technician to inspect the unit and to replace any part of the control system and any gas control which has been under water.

### **⚠ WARNING**



Danger of explosion. Can cause injury or product or property damage. If over heating occurs or if gas supply fails to shut off, shut off the manual gas valve to the appliance before shutting off electrical supply.

### **⚠ WARNING**



Electric shock hazard. Can cause injury or death. Before attempting to perform any service or maintenance, turn the electrical power to unit OFF at disconnect switch(es). Unit may have multiple power supplies.

BEFORE LIGHTING smell all around the appliance area for gas. Be sure to smell next to the floor because some gas is heavier than air and will settle on the floor.

The gas valve may be equipped with either a gas control lever or gas control knob. Use only your hand to push the lever or turn the gas control knob. Never use tools. If the the lever will not move or the knob will not push in or turn by hand, do not try to repair it. Call a qualified service technician. Force or attempted repair may result in a fire or explosion.

### **⚠ WARNING**



Danger of explosion. Can cause injury or death. Do not attempt to light manually. Unit has a direct spark ignition system.

This unit is equipped with an automatic spark ignition system. There is no pilot. In case of a safety shutdown, move thermostat switch to **OFF** and return the thermostat switch to **HEAT** to reset ignition control.

### A-Placing Unit In Operation

### **⚠ WARNING**



Danger of explosion and fire. Can cause injury or product or property damage. You must follow these instructions exactly.

### Gas Valve Operation (FIGURE 28)

- 1 - Set thermostat to lowest setting.
- 2 - Turn off all electrical power to appliance.
- 3 - This appliance is equipped with an ignition device which automatically lights the burner. Do not try to light the burner by hand.
- 4 - Open or remove the control access panel.

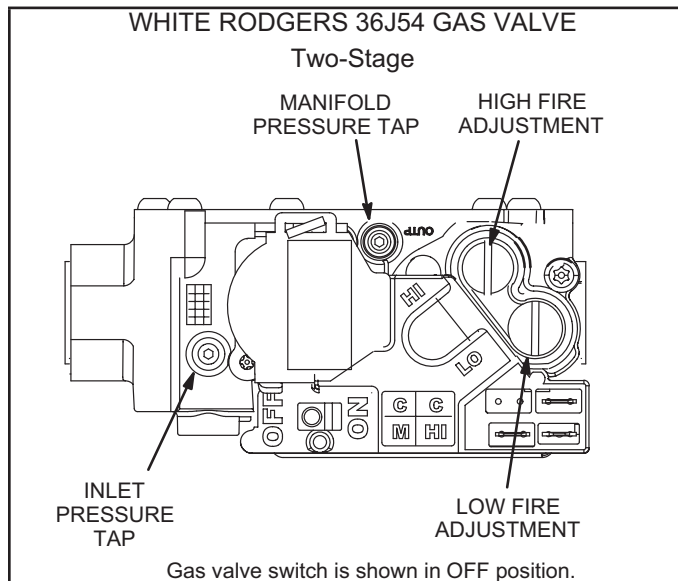


FIGURE 28

- 5 - Move gas valve switch to **OFF**. See FIGURE 28.
  - 6 - Wait five (5) minutes to clear out any gas. If you then smell gas, **STOP!** Immediately call your gas supplier from a neighbor's phone. Follow the gas supplier's instructions. If you do not smell gas, go to the next step.
  - 7 - Move gas valve switch to **ON**. See FIGURE 28.
  - 8 - Close or replace the control access panel.
  - 9 - Turn on all electrical power to appliance.
  - 10 - Set thermostat to desired setting.
- NOTE** - When unit is initially started, steps 1 through 9 may need to be repeated to purge air from gas line.
- 11 - The ignition sequence will start.

- 12 - If the furnace does not light the first time (gas line not fully purged), it will attempt up to two more ignitions before locking out.
- 13 - If lockout occurs, repeat steps 1 through 10.
- 14 - If the appliance will not operate, follow the instructions "Turning Off Gas to Appliance" and call your service technician or gas supplier.

#### Turning Off Gas to Unit

- 1 - If using an electromechanical thermostat, set to the lowest setting.
- 2 - Before performing any service, turn off all electrical power to the appliance.
- 3 - Open or remove the control access panel.
- 4 - Move gas valve switch to **OFF**.
- 5 - Close or replace the control access panel.

 <b>WARNING</b>
 <b>Danger of explosion. Can cause injury or death. Do not attempt to light manually. Unit has a direct spark ignition system.</b>

### Heating Operation and Adjustments

*(Gas Units)*

#### A-Heating Sequence of Operation

##### Two-Stage

- 1 - On a heating demand the combustion air inducer starts immediately.
- 2 - Combustion air pressure switch proves inducer operation. After a 30-second pre-purge, power is allowed to ignition control. Switch is factory set and requires no adjustment.
- 3 - Spark ignitor energizes and gas valve solenoid opens.
- 4 - Spark ignites gas, ignition sensor proves the flame and combustion continues.
- 5 - If flame is not detected after 8 seconds, the ignition control will repeat steps 3 and 4 two more times. The ignition control will wait 5 minutes before the ignition attempt recycles.

#### B-Ignition Control Diagnostic LEDs

**TABLE 16  
IGNITION CONTROL HEARTBEAT LED STATUS**

LED Flashes	Indicates
Steady Off	No power or control hardware fault.
Steady on	Power applied. Control OK.
3 Flashes	Ignition lockout from too many trials.
4 Flashes	Ignition lockout from too many flame losses within single call for heat.
5 Flashes	Control hardware fault detected.

#### C-Limit Controls

Limit controls are factory-set and are not adjustable. The primary limit is located to the right of the combustion air inducer. See FIGURE 36.

#### D-Heating Adjustment

Main burners are factory-set and do not require adjustment. The following manifold pressures are listed on the gas valve.

- Natural Gas Units - Low Fire - 2.0" w.c.
- Natural Gas Units - High Fire - 3.5" w.c.
- LP Gas Units - Low Fire - 5.9" w.c.
- LP Gas Units - High Fire - 10.5" w.c.

### Electric Heat Start-Up (LCM Units)

Optional electric heat will stage on and cycle with thermostat demand. See electric heat wiring diagram on unit for sequence of operation.

### SCR Electric Heat Controller (LCM Units)

Optional factory-installed SCR (A38) will provide small amounts of power to the electric heat elements to efficiently maintain warm duct air temperatures when there is no heating demand. The SCR maintains duct air temperature based on input from a field-provided and installed thermostat (A104) and duct sensor (RT20). SCR is located in the compressor section on the left wall. Use only with a thermostat or specified DDC control system.

Use the instructions provided with the thermostat to set DIP switches as follows: S1 On, S2 Off, S3 Off. Use the instructions provided with the duct sensor to install sensor away from electric element radiant heat and in a location where discharge air is a mixed average temperature.

Once power is supplied to unit, zero SCR as follows:

- 1 - Adjust thermostat (A104) to minimum position.
- 2 - Use a small screwdriver to slowly turn the ZERO potentiometer on the SCR until the LED turns solid red.
- 3 - Very slowly adjust the potentiometer the opposite direction until the LED turns off.

## Hot Gas Reheat Start-Up and Operation

### General

Hot gas reheat units provide a dehumidifying mode of operation. These units contain a reheat coil adjacent to and downstream of the evaporator coil. Reheat coil solenoid valve, L14, routes hot discharge gas from the compressor to the reheat coil. Return air pulled across the evaporator coil is cooled and dehumidified; the reheat coil adds heat to supply air. See FIGURE 29 for reheat refrigerant routing and FIGURE 30 for standard cooling refrigerant routing.

### L14 Reheat Coil Solenoid Valve

When Unit Controller input (Unit Controller J298-5 or J299-8) indicates room conditions require dehumidification, L14 reheat valve is energized (Unit Controller P269-3) and refrigerant is routed to the reheat coil.

### Reheat Setpoint

Reheat is factory-set to energize when indoor relative humidity rises above 60% (default). The reheat setpoint can be adjusted by changing mobile service app *Settings* - *Control* menu. A setting of 100% will operate reheat from an energy management system digital output. The reheat setpoint can also be adjusted using an optional Network Control Panel (NCP).

Reheat will terminate when the indoor relative humidity falls 3% (57% default) or the digital output de-energizes. The reheat deadband can be adjusted at *Settings* - *Control* menu.

### Check-Out

Test reheat operation using the following procedure.

- 1 - Make sure reheat is wired as shown in wiring section.
- 2 - Make sure unit is in local thermostat mode.
- 3 - Use mobile service app menu path to select **SERVICE > TEST > DEHUMIDIFIER**.

*The blower, compressor, and reheat valve should be energized. Pressure can be checked on the reheat line pressure tap. Pressure on the reheat line should match discharge pressure closely in reheat mode.*

### Default Reheat Operation

During reheat mode free cooling is locked out.

### A-Thermostat Mode With 24V Humidistat

No Y1 demand but a call for dehumidification:

Compressor operates at 100%, blower and outdoor fan modulate to maintain indoor coil and discharge air temperatures, reheat valve is energized.

Y1 demand:

Compressor is modulating, blower is on low, and the reheat valve is de-energized.

Y2 demand:

Compressor is modulating, blower is on high, reheat valve is de-energized.

### B-Thermostat Mode With Zone RH Sensor

No Y1 demand but a call for dehumidification:

Compressor modulates based on zone relative humidity, blower and outdoor fan modulate to maintain indoor coil and discharge air temperatures, reheat valve is energized.

Y1 and dehumidification demand:

Compressor is modulating, blower is on low, and the reheat valve is de-energized.

Y2 and dehumidification demand:

Compressor is modulating, blower is on high, reheat valve is de-energized.

### C-Zone Sensor Mode With Humidistat

No cooling demand but a call for dehumidification:

Compressor operates at 100%, blower and outdoor fan modulate to maintain indoor coil and discharge air temperatures, reheat valve is energized.

Cooling and dehumidification demand:

Compressor is modulating, blower is modulating, reheat valve is de-energized.

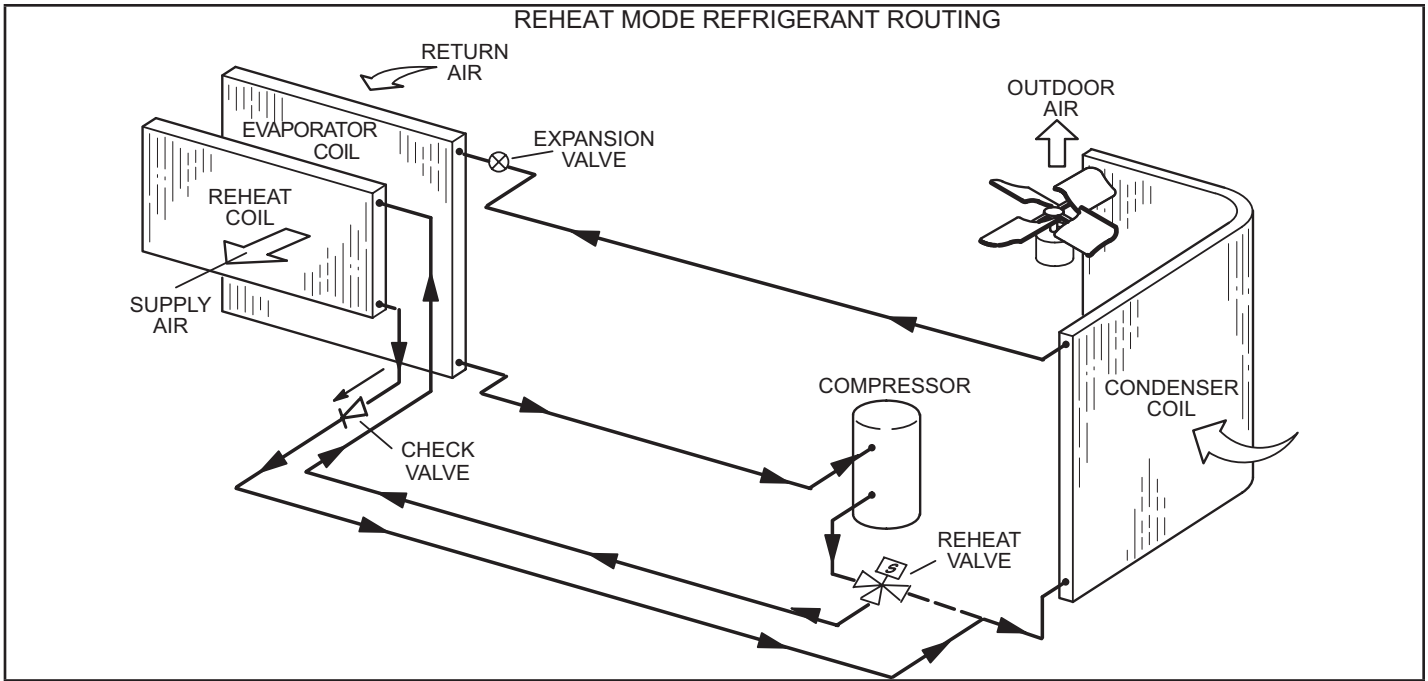
### D-Zone Sensor Mode With Zone RH Sensor

No cooling demand but a call for dehumidification:

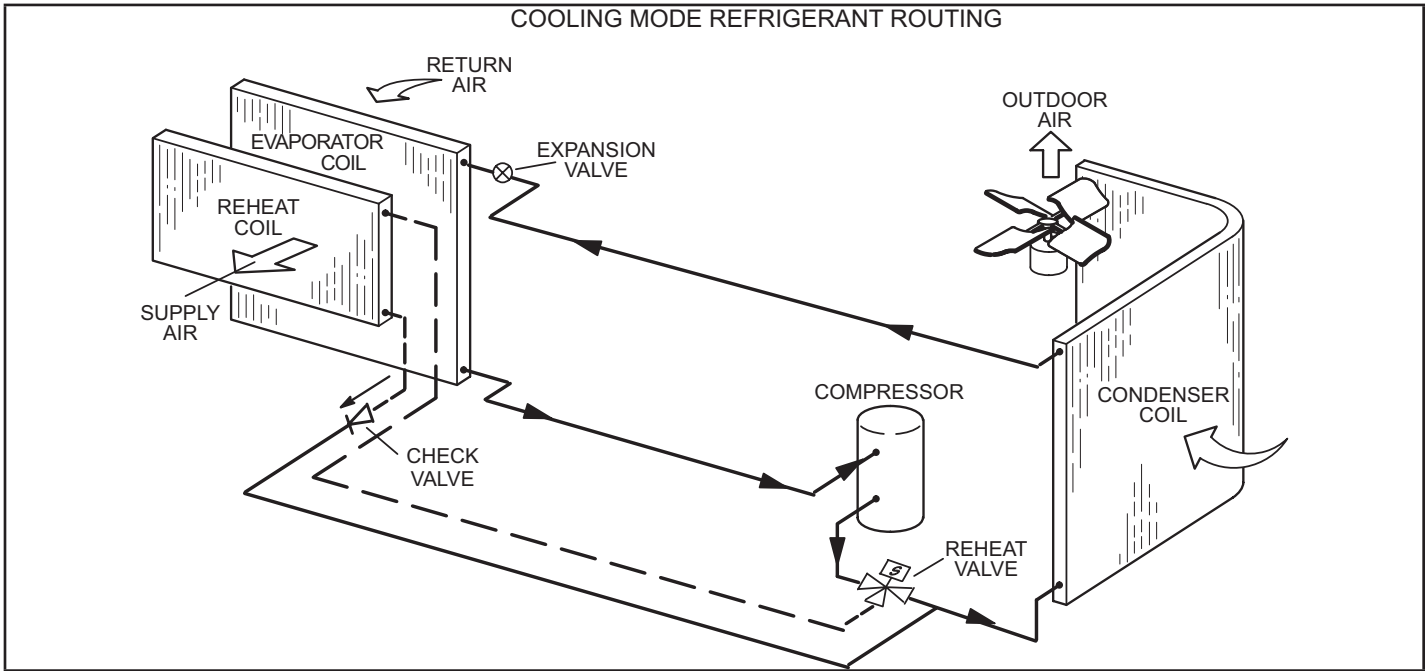
Compressor modulates based on zone relative humidity, blower and outdoor fan modulate to maintain indoor coil and discharge air temperatures, reheat valve is energized.

Cooling and dehumidification demand:

Compressor is modulating, blower is modulating, and the reheat valve is de-energized.



**FIGURE 29**



**FIGURE 30**

## Preventative Maintenance / Repair

### IMPORTANT MAINTENANCE / REPAIR SAFETY INSTRUCTIONS

Prior to beginning work on systems containing FLAMMABLE REFRIGERANTS, safety checks are necessary to ensure that the risk of ignition is minimized.

Work shall be undertaken under a controlled procedure to minimize the risk of a flammable gas or vapor being present while the work is being performed.

All maintenance staff and others working in the local area shall be instructed on the nature of work being carried out. Work in confined spaces shall be avoided.

The area shall be checked with an appropriate refrigerant detector prior to and during work, to ensure the technician is aware of potentially toxic or flammable atmospheres. Ensure that the leak detection equipment being used is suitable for use with all applicable refrigerants, i.e. non-sparking, adequately sealed or intrinsically safe.

If any hot work is to be conducted on the refrigerating equipment or any associated parts, appropriate fire extinguishing equipment shall be available to hand. Have a dry powder or CO2 fire extinguisher adjacent to the charging area.

No person carrying out work in relation to a REFRIGERATING SYSTEM which involves exposing any pipe work shall use any sources of ignition in such a manner that it may lead to the risk of fire or explosion. All possible ignition sources, including cigarette smoking, should be kept sufficiently far away from the site of installation, repairing, removing and disposal, during which refrigerant can possibly be released to the surrounding space. Prior to work taking place, the area around the equipment is to be surveyed to make sure that there are no flammable hazards or ignition risks. "No Smoking" signs shall be displayed.

Where electrical components are being changed, they shall be fit for the purpose and to the correct specification. At all times, the manufacturer's maintenance and service guidelines shall be followed. If in doubt, consult the manufacturer's technical department for assistance.

Repair and maintenance to electrical components shall include initial safety checks and component inspection procedures. If a fault exists that could compromise safety, then no electrical supply shall be connected to the circuit until it is satisfactorily dealt with. If the fault cannot be corrected immediately but it is necessary to continue operation, an adequate temporary solution shall be used. This shall be reported to the owner of the equipment so all parties are advised.

Initial safety checks shall include:

- that capacitors are discharged: this shall be done in a safe manner to avoid possibility of sparking
- that no live electrical components and wiring are exposed while charging, recovering or purging the system

- that there is continuity of earth bonding

The following checks shall be applied to installations using FLAMMABLE REFRIGERANTS:

- the actual REFRIGERANT CHARGE is in accordance with the room size within which the refrigerant containing parts are installed;
- the ventilation machinery and outlets are operating adequately and are not obstructed;
- if an indirect refrigerating circuit is being used, the secondary circuit shall be checked for the presence of refrigerant;
- marking to the equipment continues to be visible and legible. Markings and signs that are illegible shall be corrected;
- refrigerating pipe or components are installed in a position where they are unlikely to be exposed to any substance which may corrode refrigerant containing components, unless the components are constructed of materials which are inherently resistant to being corroded or are suitably protected against being so corroded.

During repairs to sealed electrical components, the components shall be replaced. Replacement parts shall be in accordance with the manufacturer's specifications.

During repairs to intrinsically safe components, the components must be replaced. Replace components only with parts specified by the manufacturer. Other parts may result in the ignition of refrigerant in the atmosphere from a leak.

The unit should be inspected once a year by a qualified service technician.

### WARNING



Electric shock hazard. Can cause injury or death. Before attempting to perform any service or maintenance, turn the electrical power to unit OFF at disconnect switch(es). Unit may have multiple power supplies.

### CAUTION

Label all wires prior to disconnection when servicing controls. Wiring errors can cause improper and dangerous operation. Verify proper operation after servicing.

#### A-Filters

Units are equipped with temporary filters which must be replaced prior to building occupation. Use four 20 X 20 X 2" (508 X 508 X 51mm) filters. Refer to local codes or appropriate jurisdiction for approved filters.



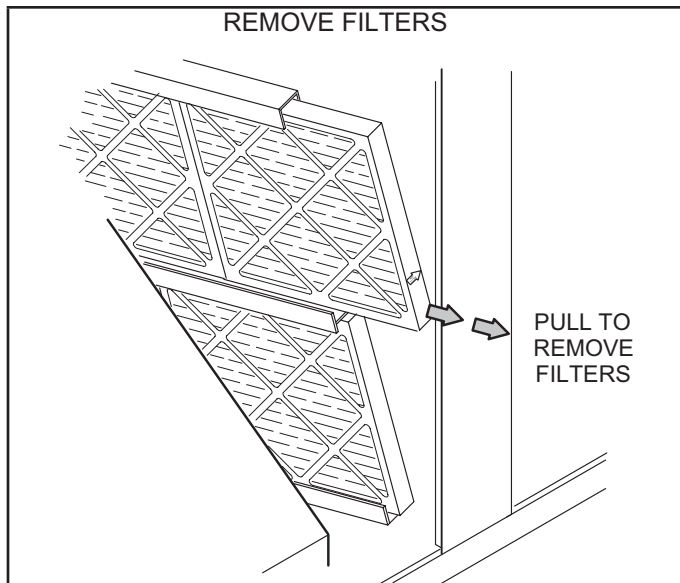


FIGURE 31

## ⚠ WARNING

Units are shipped from the factory with temporary filters. Replace filters before building is occupied. Damage to unit could result if filters are not replaced with approved filters. Refer to appropriate codes.

Approved filters should be checked monthly and replaced when necessary. Take note of air flow direction marking on filter frame when reinstalling filters. See FIGURE 31.

**NOTE** - Filters must be U.L.C. certified or equivalent for use in Canada.

### B-Lubrication

All motors are lubricated at the factory. No further lubrication is required.

### C-Burners

Periodically examine burner flames for proper appearance during the heating season. Before each heating season examine the burners for any deposits or blockage which may have occurred.

Clean burners as follows:

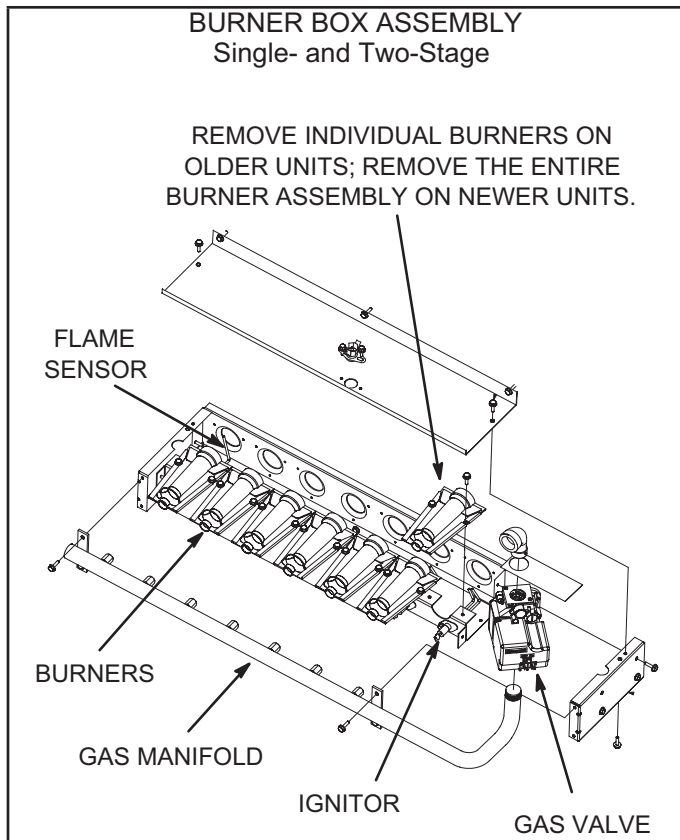
- 1 - Turn off both electrical power and gas supply to unit.
- 2 - Remove blower access panel.
- 3 - Remove top burner box panel.
- 4 - Remove screws securing burners to burner support and lift the individual burners or the entire burner assembly from the orifices. See FIGURE 32 or FIGURE 33. Clean as necessary.
- 5 - Locate the ignitor under the right burner. Check ignitor spark gap with appropriately sized twist drills or feeler gauges. See FIGURE 34.
- 6 - Replace burners and screws securing burner. See FIGURE 35.

## ⚠ WARNING

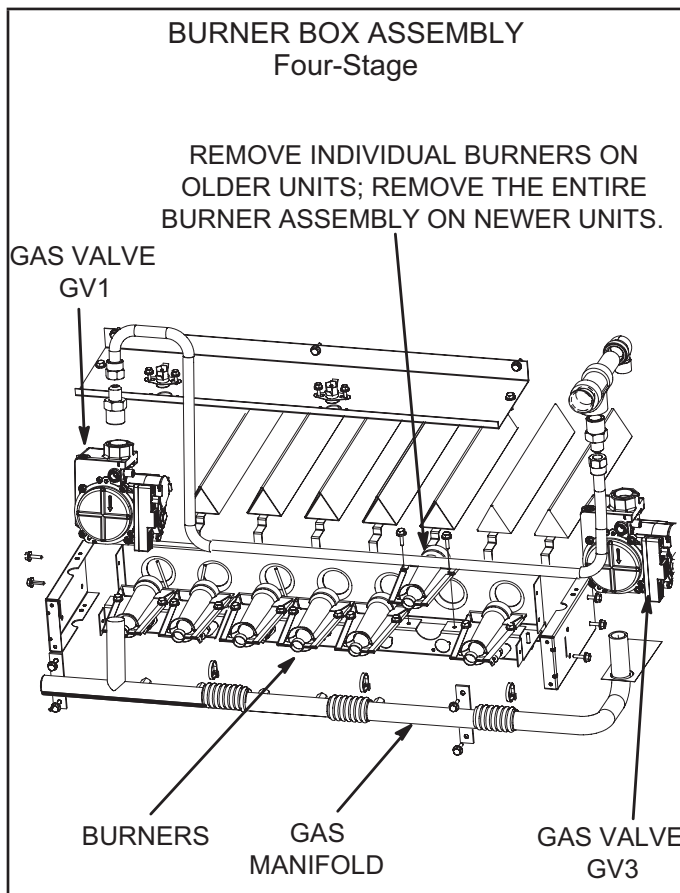


Danger of explosion. Can cause injury or death. Do not overtighten main burner mounting screws. Snug tighten only.

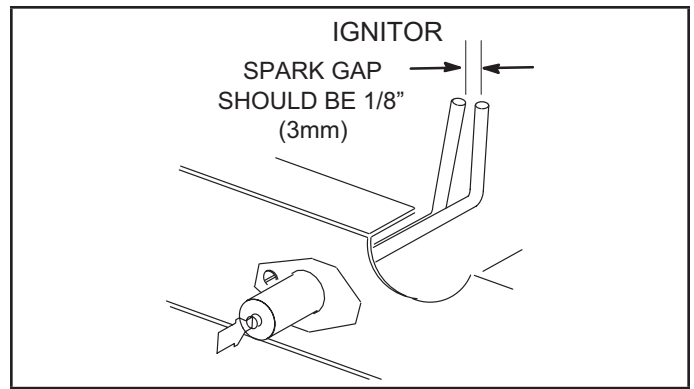
- 7 - Replace access panel.
- 8 - Restore electrical power and gas supply. Follow lighting instructions attached to unit and use inspection port in access panel to check flame.



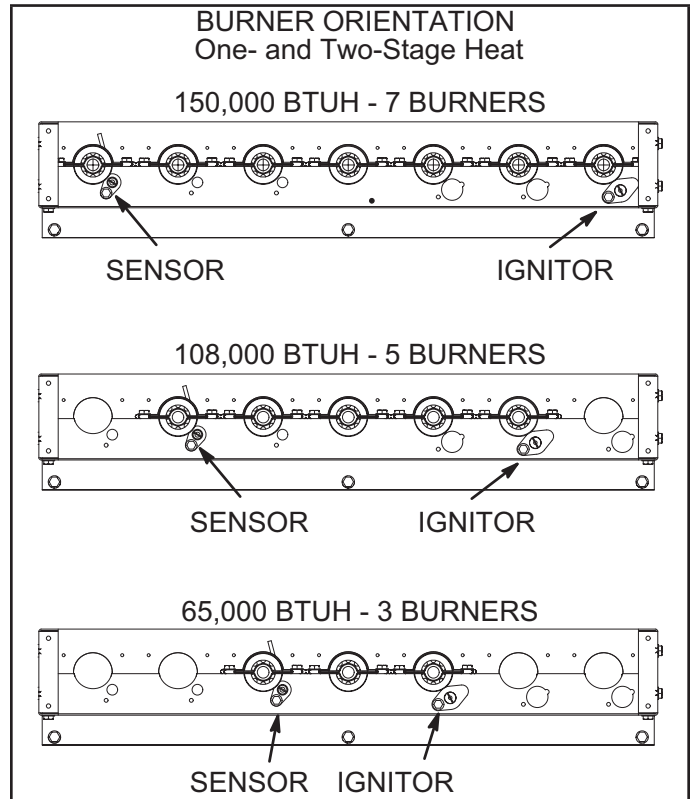
**FIGURE 32**



**FIGURE 33**



**FIGURE 34**



**FIGURE 35**

**D-Combustion Air Inducer (Gas Units)**

A combustion air proving switch checks combustion air inducer operation before allowing power to the gas controller. Gas controller will not operate if inducer is obstructed.

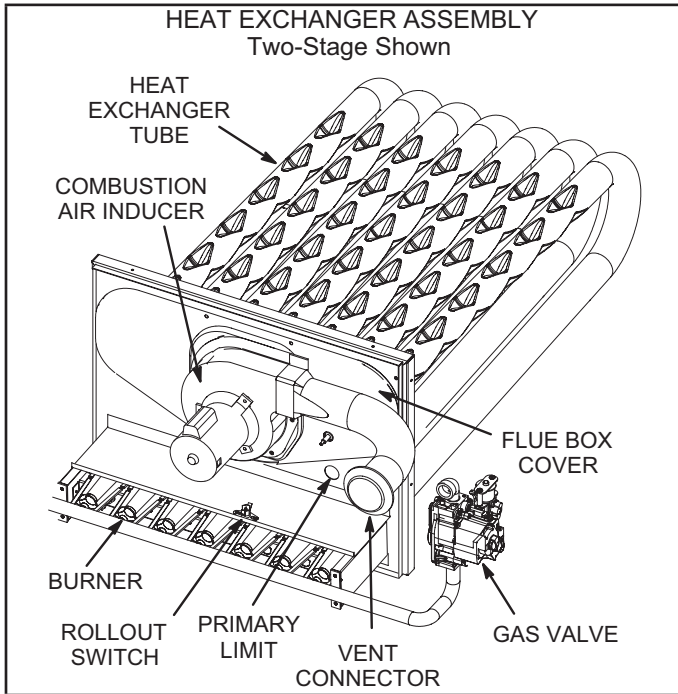
Under normal operating conditions, the combustion air inducer wheel should be checked and cleaned prior to the heating season. However, it should be examined periodically during the heating season to establish an ideal cleaning schedule.

Clean combustion air inducer as follows:

- 1 - Shut off power supply and gas to unit.
- 2 - Remove the mullion on the right side of the heat section.
- 3 - Disconnect pressure switch air tubing from combustion air inducer port.



- 4 - Remove and retain screws securing combustion air inducer to flue box. Remove vent connector. See FIGURE 36.
- 5 - Clean inducer wheel blades with a small brush and wipe off any dust from housing. Take care not to damage exposed fan blades. Clean accumulated dust from front of flue box cover.
- 6 - Return combustion air inducer motor and vent connector to original location and secure with retained screws. It is recommended that gaskets be replaced during reassembly.
- 7 - Replace mullion.
- 8 - Clean combustion air inlet louvers on blower access panel using a small brush.



**FIGURE 36**

### E-Flue Box (Gas Units)

Remove flue box cover only when necessary for equipment repair. Clean inside of flue box cover and heat exchanger tubes with a wire brush when flue box cover has to be removed. Install a new flue box cover gasket and replace cover. Make sure edges around flue box cover are tightly sealed.

### F-Evaporator Coil

Inspect and clean coil at beginning of each cooling season. Clean using mild detergent or commercial coil cleaner. Flush coil and condensate drain with water taking care not to get insulation, filters and return air ducts wet.

### G-Condenser Coil

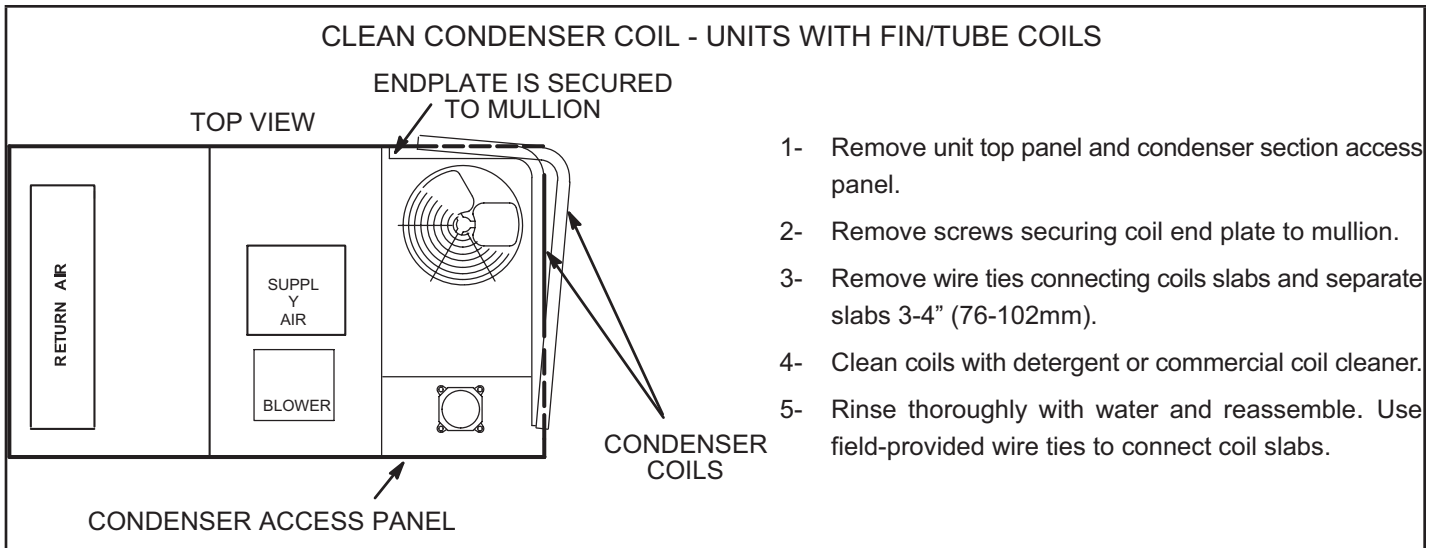
Clean condenser coil annually with detergent or commercial coil cleaner and inspect monthly during the cooling season.

Condenser coils are made of single and two formed slabs. On units with two slabs, dirt and debris may become trapped between the slabs. To clean between slabs, carefully separate coil slabs and wash them thoroughly. See FIGURE 37. Flush coils with water following cleaning.

**NOTE** - Remove all screws and gaskets prior to cleaning procedure and replace upon completion.

### H-Supply Air Blower Wheel

Annually inspect supply air blower wheel for accumulated dirt or dust. Turn off power before attempting to remove access panel or to clean blower wheel.



- 1- Remove unit top panel and condenser section access panel.
- 2- Remove screws securing coil end plate to mullion.
- 3- Remove wire ties connecting coils slabs and separate slabs 3-4" (76-102mm).
- 4- Clean coils with detergent or commercial coil cleaner.
- 5- Rinse thoroughly with water and reassemble. Use field-provided wire ties to connect coil slabs.

**FIGURE 37**

### J-Needlepoint Bipolar Ionizer (Optional)

The optional, brush-type ionizer produces positive and negative ions to clean air and reduce airborne contaminants. The ionizer was designed to be low maintenance. The device should be checked semi-annually to confirm the brushes are clean for maximum output. The ionizer is located behind on the blower deck to the left of the blower. See FIGURE 39.

- 1 - On the back side of the unit, remove the screw securing the back of the ionizer bracket. See FIGURE 38. Retain the screw to secure the back side of the ionizer bracket.
- 2 - Remove two screws securing the front side of the ionizer bracket and pull out of unit and clean brushes.
- 3 - Replace ionizer in the reverse order it was removed.

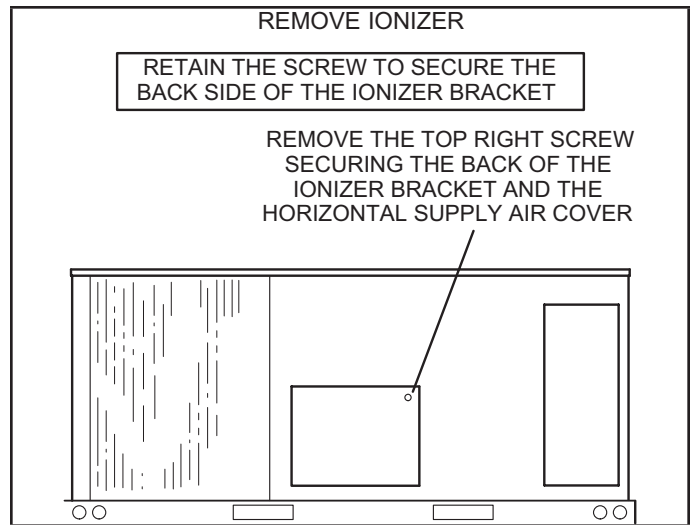


FIGURE 38

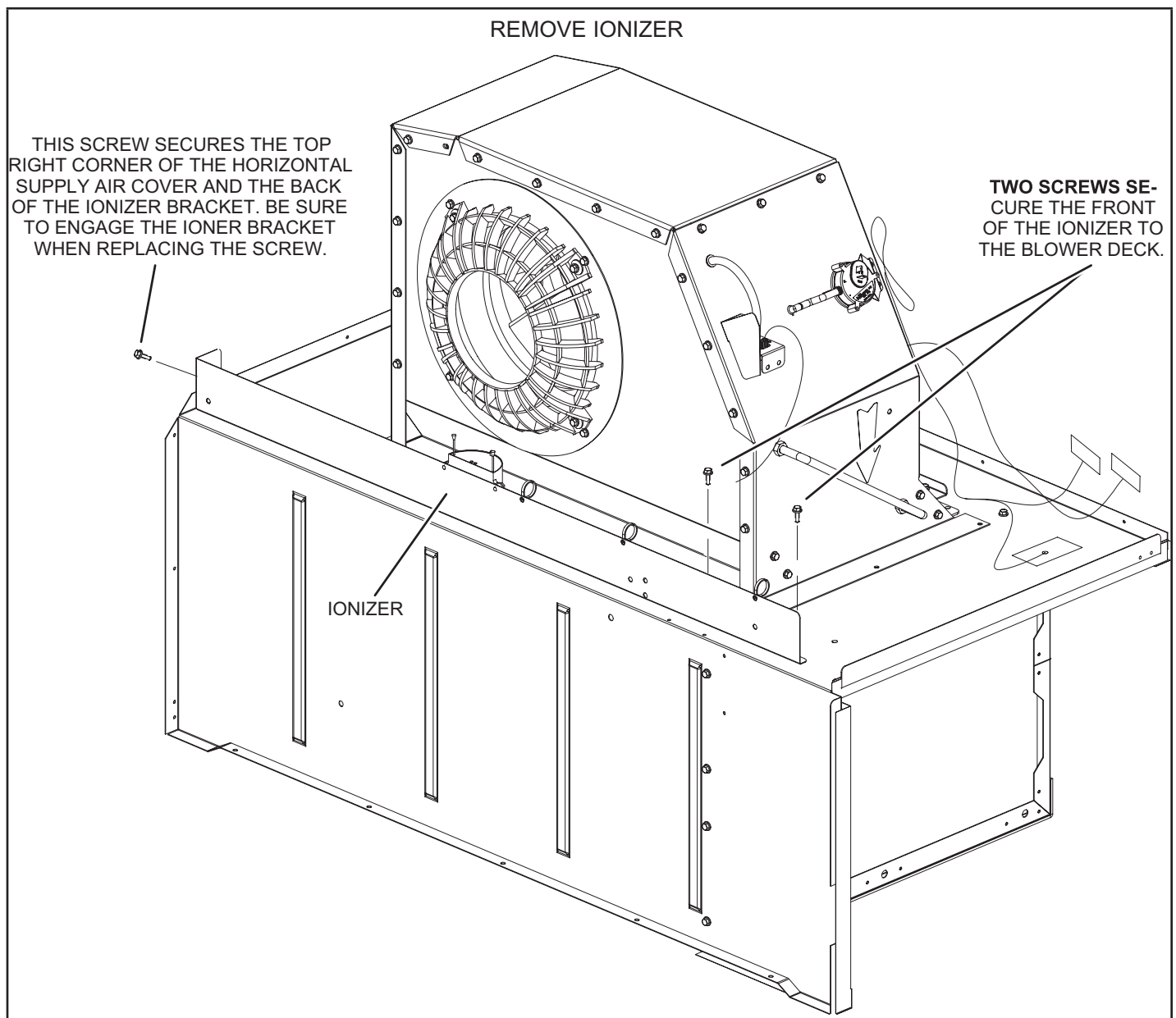


FIGURE 39

## K-UVC Light (Optional)

When field-installed, use only UVC Light Kit assembly 106881-01 (21A92) with this appliance.

### Factory-Installed UVC Light

When the UVC light is factory installed, the lamp is shipped attached to the filter rack. Remove the lamp and install into the UVC light assembly as shown in steps 2 through 11.

- 1 - Cut wire ties and remove the UVC lamp attached to the filter rack. See FIGURE 40.

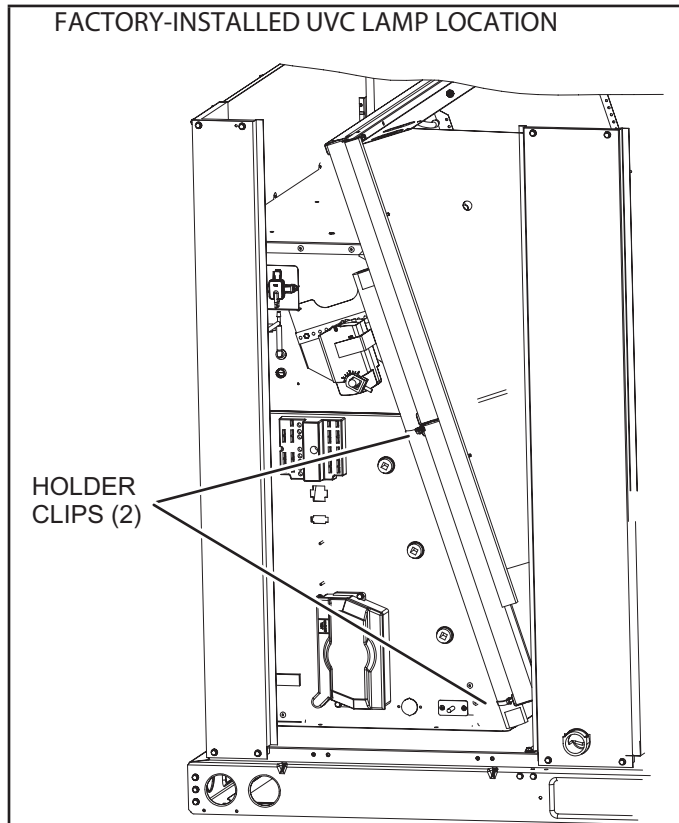


FIGURE 40

### Annual Lamp Replacement

## ⚠ WARNING

### Personal Burn Hazard.

Personal injury may result from hot lamps. During replacement, allow lamp to cool for 10 minutes before removing lamp from fixture.

The lamp should be replaced every 12 months, as UVC energy production diminishes over time.

- 1 - Obtain replacement lamp 102337-01 for your germicidal light model.
- 2 - Disconnect power to the rooftop unit before servicing the UVC kit.
- 3 - Open the blower access door.
- 4 - Remove the screw in wire tie from the UVC assembly and disconnect the 4-pin connector from the lamp end.

- 5 - Remove the (2) mounting screws of the UVC assembly. Carefully slide the complete UVC assembly out through the blower access door.
- 6 - Allow 10 minutes before touching the lamps. Then, carefully remove the old lamp from the lamp holder clips.
- 7 - Wear cotton gloves or use a cotton cloth when handling the new lamp. Place the new lamp in the holder clips of the UVC assembly. Verify that the lamp flange at the connector end is sandwiched between the lamp holder clip and the sheet-metal end stop (see FIGURE 41).
- 8 - Carefully place the UVC assembly on the blower deck. Line up the mounting holes on the UVC assembly with the mounting holes on the blower deck. See FIGURE 42. Use the #10 screws provided to attach the UVC assembly in place.
- 9 - Make sure to reapply the black convoluted tubing used to shield electrical wiring in the rooftop unit. Convoluted tubing is provided when the ionizer is factory- or field-installed. However, if there is any concern, aluminum foil tape (not provided) can also be used to cover any exposed component.
- 10 - Close the blower access door.
- 11 - Reconnect power to the rooftop unit.
- 12 - Open the filter access door and look through the view port in the triangular sheet-metal panel to verify that the UVC light is on.

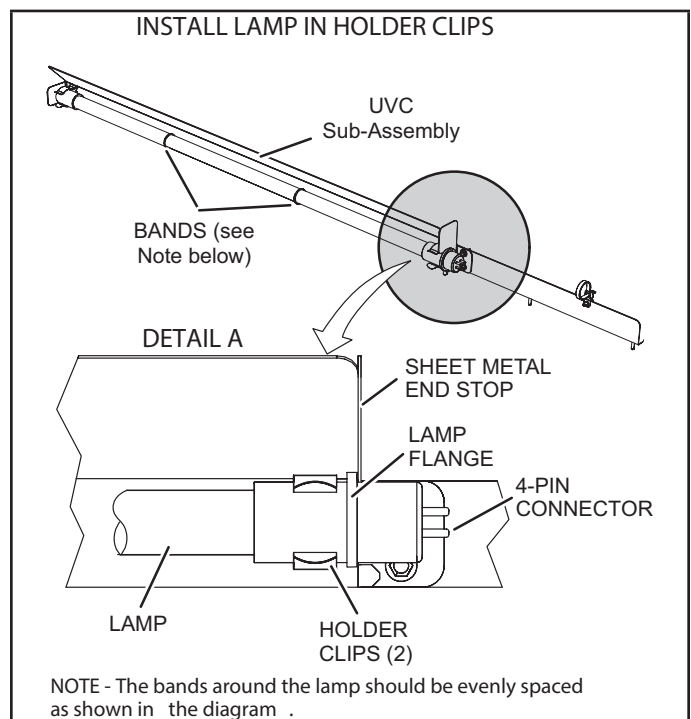
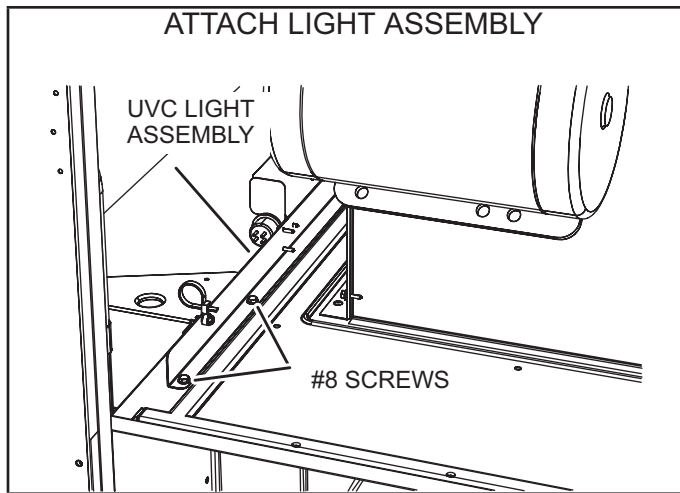


FIGURE 41



**FIGURE 42**

**Lamp Disposal**

Hg-LAMP Contains Mercury. Manage in accordance with local, state and federal disposal laws. Refer to [www.lamprecycle.org](http://www.lamprecycle.org) or call 1-800-453-6669.

**Proper Clean-up Technique in Case of Lamp Breakage**

Wear protective gloves, eye wear and mask.

Sweep the broken glass and debris into a plastic bag, seal the bag, and dispose of properly. Contact your local waste management office for proper disposal.

Do not use a vacuum cleaner. Do not incinerate.

**Maintenance**

- For all maintenance, contact a qualified HVAC technician.
- Read the maintenance instructions before opening unit panels.
- Unintended use of the unit or damage to the unit housing may result in the escape of dangerous UVC radiation. UVC radiation may, even in small doses, cause harm to the eyes and skin.
- Do not operate units that are obviously damaged.
- Do not discard the triangular UVC light shield or any barriers with an ultraviolet radiation symbol.
- Do not override the door interlock switch that interrupts power to the UVC light.
- Do not operate the UVC light outside of the unit.L-

**M-Replacement Fuses**

See the following tables for the proper replacement fuse sizes.

ELECTRIC HEAT REPLACEMENT FUSES				
	Electric Heat	Qty.	Rating	
			Amp	Volt
1	E1EH0050N-1P	2	30	250
2	T1/E1EH0075AN1Y	3	25	250
3	E1EH0100N-1P	4	30	250
4	T1/E1EH0150AN1Y	3	50	250
5	T1/E1EH0225AN1Y	6	45	250
6	T1/E1EH0300N-1Y	6	60	250
7	E2EH0300N-1Y	6	60	250
8	K1EH0050A-1P	2	30	250
9	T1/E1EH0075AN1P	2	40	250
10	T1EH0100A-1P	4	30	250
11	T1/E1EH0150AN1P	4	40	250
12	T1/E1EH0225AN1P	6	40	250
13	T1/E1EH0075AN1J	3	15	600
14	T1/E1EH0150AN1J	3	20	600
15	T1/E1EH0225AN1J	3	30	600
16	T1/E1EH0300N-1J	3	40	600
17	T1/E1EH0075AN1G	3	15	600
18	T1/E1EH0150AN1G	3	25	600
19	T1/E1EH0225AN1G	3	35	600
20	T1/E1EH0300N-1G	3	50	600
21	K1/E1EH0057AN1M	3	15	600
22	K1/E1EH0115AN1M	3	20	600
23	K1EH0172AN1M	3	30	600
24	E1EH0172N-1M	3	30	600
25	K1/E1EH0230N-1M	3	40	600

UNIT REPLACEMENT FUSES								
LGM036								
Unit Voltage			208/230V - 3 Ph		460V - 3Ph		575V - 3Ph	
Power Exhaust Option			W / P.E.	W / O P.E.	W / P.E.	W / O P.E.	W / P.E.	W / O P.E.
Diagram Key	Class	Blower Type	Amps					
F10 <sup>2</sup>	CC	EBM	8 A	8 A	8 A	8 A	8 A	8 A
F27	CC	EBM	-	-	-	-	7.5 A	7.5 A
F57	CC	EBM	-	-	10 A	10 A	7.5 A	7.5 A
F61 <sup>2</sup>	J	EBM	30 A	25 A	15 A	15 A	15 A	15 A
CB10 <sup>3</sup>	-	EBM	30 A	25 A	15 A	15 A	15 A	15 A

<sup>2</sup> Fuses F10 and F61 are only used on units with SCCR installed.

<sup>3</sup> Units using Circuit Breakers will use CB10 option.

LGM048								
Unit Voltage			208/230V - 3 Ph		460V - 3Ph		575V - 3Ph	
Power Exhaust Option			W / P.E.	W / O P.E.	W / P.E.	W / O P.E.	W / P.E.	W / O P.E.
Diagram Key	Class	Blower Type	Amps					
F10 <sup>2</sup>	CC	EBM	8 A	8 A	8 A	8 A	8 A	8 A
F27	CC	EBM	-	-	-	-	7.5 A	7.5 A
F57	CC	EBM	-	-	10 A	10 A	7.5 A	7.5 A
F61 <sup>2</sup>	J	EBM	40 A	30 A	15 A	15 A	15 A	15 A
CB10 <sup>3</sup>	-	EBM	40 A	30 A	15 A	15 A	15 A	15 A

<sup>2</sup> Fuses F10 and F61 are only used on units with SCCR installed.

<sup>3</sup> Units using Circuit Breakers will use CB10 option.

LGM060								
Unit Voltage			208/230V - 3 Ph		460V - 3Ph		575V - 3Ph	
Power Exhaust Option			W / P.E.	W / O P.E.	W / P.E.	W / O P.E.	W / P.E.	W / O P.E.
Diagram Key	Class	Blower HP	Amps					
F10 <sup>2</sup>	CC	EBM	8 A	8 A	8 A	8 A	8 A	8 A
F27	CC	EBM	-	-	-	-	7.5 A	7.5 A
F57	CC	EBM	-	-	10 A	10 A	7.5 A	7.5 A
F61 <sup>2</sup>	J	EBM	40 A	40 A	20 A	15 A	15 A	15 A
CB10 <sup>3</sup>	-	EBM	40 A	40 A	20 A	15 A	15 A	15 A

<sup>2</sup> Fuses F10 and F61 are only used on units with SCCR installed.

<sup>3</sup> Units using Circuit Breakers will use CB10 option.

LGM072								
Unit Voltage			208/230V - 3 Ph		460V - 3Ph		575V - 3Ph	
Power Exhaust Option			W / P.E.	W / O P.E.	W / P.E.	W / O P.E.	W / P.E.	W / O P.E.
Diagram Key	Class	Blower HP	Amps					
F10 <sup>2</sup>	CC	EBM	8 A	8 A	8 A	8 A	8 A	8 A
F27	CC	EBM	-	-	-	-	7.5 A	7.5 A
F57	CC	EBM	-	-	10 A	10 A	7.5 A	7.5 A
F61 <sup>2</sup>	J	EBM	45 A	45 A	20 A	20 A	15 A	15 A
CB10 <sup>3</sup>	J	EBM	45 A	45 A	20 A	20 A	15 A	15 A

<sup>2</sup> Fuses F10 and F61 are only used on units with SCCR installed.

<sup>3</sup> Units using Circuit Breakers will use CB10 option.

LCM036														
Electric Heat Size			7.5kW						15kW					
Unit Voltage			208/230V - 3 Ph		460V - 3 Ph		575V - 3 Ph		208/230V - 3 Ph		460V - 3 Ph		575V - 3 Ph	
Power Exhaust Option			W / P.E.	W / O P.E.	W / P.E.	W / O P.E.	W / P.E.	W / O P.E.	W / P.E.	W / O P.E.	W / P.E.	W / O P.E.	W / P.E.	W / O P.E.
Diagram Key	Class	Blower HP	Amps						Amps					
F4	RK or K <sup>1</sup>	1.5	30 A	25 A	15 A	15 A	15 A	15 A	30 A	25 A	15 A	15 A	15 A	15 A
F10 <sup>2</sup>	CC	1.5	8 A	8 A	8 A	8 A	8 A	8 A	8 A	8 A	8 A	8 A	8 A	8 A
F27	CC	1.5	-	-	-	-	7.5 A	7.5 A	-	-	-	-	7.5 A	7.5 A
F57	CC	1.5	-	-	10 A	10 A	7.5 A	7.5 A	-	-	10 A	10 A	7.5 A	7.5 A
F61 <sup>2</sup>	J	1.5	35 A	30 A	20 A	15 A	15 A	15 A	60 A	60 A	30 A	30 A	25 A	25 A
CB10 <sup>3</sup>	-	1.5	35 A	30 A	20 A	15 A	15 A	15 A	60 A	60 A	30 A	30 A	25 A	25 A

<sup>1</sup> When SCCR is installed, F4 fuse is Class J.

<sup>2</sup> Fuses F10 and F61 are only used on units with SCCR installed.

<sup>3</sup> Units using Circuit Breakers will use CB10 option.

LCM048														
Electric Heat Size			7.5kW						15kW					
Unit Voltage			208/230V - 3 Ph		460V - 3 Ph		575V - 3 Ph		208/230V - 3 Ph		460V - 3 Ph		575V - 3 Ph	
Power Exhaust Option			W / P.E.	W / O P.E.	W / P.E.	W / O P.E.	W / P.E.	W / O P.E.	W / P.E.	W / O P.E.	W / P.E.	W / O P.E.	W / P.E.	W / O P.E.
Diagram Key	Class	Blower HP	Amps						Amps					
F4	RK or K <sup>1</sup>	1.5	40 A	35 A	15 A	15 A	15 A	15 A	40 A	35 A	15 A	15 A	15 A	15 A
F10 <sup>2</sup>	CC	1.5	8 A	8 A	8 A	8 A	8 A	8 A	8 A	8 A	8 A	8 A	8 A	8 A
F27	CC	1.5	-	-	-	-	7.5 A	7.5 A	-	-	-	-	7.5 A	7.5 A
F57	CC	1.5	-	-	10 A	10 A	7.5 A	7.5 A	-	-	10 A	10 A	7.5 A	7.5 A
F61 <sup>2</sup>	J	1.5	40 A	35 A	20 A	15 A	15 A	15 A	60 A	60 A	30 A	30 A	25 A	25 A
CB10 <sup>3</sup>	-	1.5	40 A	35 A	20 A	15 A	15 A	15 A	60 A	60 A	30 A	30 A	25 A	25 A

<sup>1</sup> When SCCR is installed, F4 fuse is Class J.

<sup>2</sup> Fuses F10 and F61 are only used on units with SCCR installed.

<sup>3</sup> Units using Circuit Breakers will use CB10 option.



LCM060														
Electric Heat Size			7.5kW						15kW					
Unit Voltage			208/230V - 3 Ph		460V - 3 Ph		575V - 3 Ph		208/230V - 3 Ph		460V - 3 Ph		575V - 3 Ph	
Power Exhaust Option			W / P.E.	W / O P.E.	W / P.E.	W / O P.E.	W / P.E.	W / O P.E.	W / P.E.	W / O P.E.	W / P.E.	W / O P.E.	W / P.E.	W / O P.E.
Diagram Key	Class	Blower HP	Amps						Amps					
F4	RK or K <sup>1</sup>	1.5	40 A	40 A	20 A	15 A	15 A	15 A	40 A	40 A	20 A	15 A	15 A	15 A
F10 <sup>2</sup>	CC	1.5	8 A	8 A	8 A	8 A	8 A	8 A	8 A	8 A	8 A	8 A	8 A	8 A
F27	CC	1.5	-	-	-	-	7.5 A	7.5 A	-	-	-	-	7.5 A	7.5 A
F57	CC	1.5	-	-	10 A	10 A	7.5 A	7.5 A	-	-	10 A	10 A	7.5 A	7.5 A
F61 <sup>2</sup>	J	1.5	40 A	40 A	20 A	15 A	15 A	15 A	60 A	60 A	30 A	30 A	25 A	25 A
CB10 <sup>3</sup>	-	1.5	40 A	40 A	20 A	15 A	15 A	15 A	60 A	60 A	30 A	30 A	25 A	25 A

<sup>1</sup> When SCCR is installed, F4 fuse is Class J.

<sup>2</sup> Fuses F10 and F61 are only used on units with SCCR installed.

<sup>3</sup> Units using Circuit Breakers will use CB10 option.

LCM060 (continued)									
Electric Heat Size			22.5kW						
Unit Voltage			208/230V - 3 Ph		460V - 3 Ph		575V - 3 Ph		
Power Exhaust Option			W / P.E.	W / O P.E.	W / P.E.	W / O P.E.	W / P.E.	W / O P.E.	W / O P.E.
Diagram Key	Class	Blower HP	Amps						
F4	RK or K <sup>1</sup>	1.5	40 A	40 A	20 A	15 A	15 A	15 A	15 A
F10 <sup>2</sup>	CC	1.5	8 A	8 A	8 A	8 A	8 A	8 A	8 A
F27	CC	1.5	-	-	-	-	-	7.5 A	7.5 A
F57	CC	1.5	-	-	10 A	10 A	7.5 A	7.5 A	7.5 A
F61 <sup>2</sup>	J	1.5	80 A	80 A	40 A	40 A	40 A	35 A	35 A
CB10 <sup>3</sup>	-	1.5	80 A	80 A	40 A	40 A	40 A	35 A	35 A

<sup>1</sup> When SCCR is installed, F4 fuse is Class J.

<sup>2</sup> Fuses F10 and F61 are only used on units with SCCR installed.

<sup>3</sup> Units using Circuit Breakers will use CB10 option.

LCM072														
Electric Heat Size			7.5 KW						15 KW					
Unit Voltage			208/230V - 3 Ph		460V - 3Ph		575V - 3Ph		208/230V - 3 Ph		460V - 3Ph		575V - 3Ph	
Power Exhaust Option			W / P.E.	W / O P.E.	W / P.E.	W / O P.E.	W / P.E.	W / O P.E.	W / P.E.	W / O P.E.	W / P.E.	W / O P.E.	W / P.E.	W / O P.E.
Diagram Key	Class	Blower Type	Amps						Amps					
F4	RK or K <sup>1</sup>	EBM	45 A	45 A	20 A	20 A	15 A	15 A	45 A	45 A	20 A	20 A	15 A	15 A
F10 <sup>2</sup>	CC	EBM	8 A	8 A	8 A	8 A	8 A	8 A	8 A	8 A	8 A	8 A	8 A	8 A
F27	CC	EBM	-	-	-	-	7.5 A	7.5 A	-	-	-	-	7.5 A	7.5 A
F57	CC	EBM	-	-	10 A	10 A	7.5 A	7.5 A	-	-	10 A	10 A	7.5 A	7.5 A
F61 <sup>2</sup>	J	EBM	45 A	45 A	20 A	20 A	15 A	15 A	60 A	60 A	30 A	30 A	25 A	25 A
CB10 <sup>3</sup>	-	EBM	45 A	45 A	20 A	20 A	15 A	15 A	60 A	60 A	30 A	30 A	25 A	25 A

<sup>1</sup> When SCCR is installed, F4 fuse is Class J.

<sup>2</sup> Fuses F10 and F61 are only used on units with SCCR installed.

<sup>3</sup> Units using Circuit Breakers will use CB10 option.

LCM072 (continued)														
Electric Heat Size			22.5 KW						30 KW					
Unit Voltage			Y Volt		G Volt		J Volt		208/230V - 3 Ph		460V - 3Ph		575V - 3 Ph	
Power Exhaust Option			W / P.E.	W / O P.E.	W / P.E.	W / O P.E.	W / P.E.	W / O P.E.	W / P.E.	W / O P.E.	W / P.E.	W / O P.E.	W / P.E.	W / O P.E.
Diagram Key	Class	Blower Type	Amps											
F4	RK or K <sup>1</sup>	EBM	45 A	45 A	20 A	20 A	15 A	15 A	45 A	45 A	20 A	20 A	15 A	15 A
F10 <sup>2</sup>	CC	EBM	8 A	8 A	8 A	8 A	8 A	8 A	8 A	8 A	8 A	8 A	8 A	8 A
F27	CC	EBM	-	-	-	-	7.5 A	7.5 A	-	-	-	-	7.5 A	7.5 A
F57	CC	EBM	-	-	10 A	10 A	7.5 A	7.5 A	-	-	10 A	10 A	7.5 A	7.5 A
F61 <sup>2</sup>	J	EBM	80 A	80 A	40 A	40 A	35 A	30 A	100 A	100 A	50 A	50 A	45 A	40 A
CB10 <sup>3</sup>	-	EBM	80 A	80 A	40 A	40 A	35 A	30 A	100 A	100 A	50 A	50 A	45 A	40 A

<sup>1</sup> When SCCR is installed, F4 fuse is Class J.

<sup>2</sup> Fuses F10 and F61 are only used on units with SCCR installed.

<sup>3</sup> Units using Circuit Breakers will use CB10 option.

## Factory Unit Controller Settings

Use the mobile service app to adjust parameters; menu paths are shown in each table. Refer to the Unit Controller manual provided with each unit.

TABLE 17 through TABLE 19 show factory settings (in degrees, % of fan CFM, etc.). Record adjusted settings on the label located inside the compressor access panel.

When field installing optional kits and accessories, the Unit Controller must be configured to identify the option before it will function. Refer to FIGURE 43 and FIGURE 44 to determine whether the Unit Controller configuration I.D. must change. To configure the option, use MAIN MENU > SETUP > INSTALL menu path. Press SAVE until CONFIGURATION ID 1 or 2 appears depending on the option installed. Change the appropriate character in the configuration I.D. For example, when an economizer is installed using a single enthalpy sensor, change configuration I.D. 1, the second character, to "S".

**TABLE 17**

Units With BACnet Settings	
RTU Menu > Network Integration > Network Setup Wizard > BACnet MS/TP > See BACnet MAC Address	
BACNET MAC ADDRESS:	
Units With Room Sensor, CPC/LSE Gateway Settings	
RTU Menu > Network Integration > Network Setup Wizard > SBUS > Set SBUS Address	
LCONN ADDRESS:	

**TABLE 18**

Units With Hot Gas Reheat			
RTU Menu > Settings "RTU Options" > Dehumidifier			
Parameter	Factory Setting	Field Setting	Description
105	7		Factory Setting 7: Reheat mode enabled without prerequisite conditions. Controlled by RH sensor (A91) connected to input A55_P298_5 and set point set at parameter 106 (default 60%).

**TABLE 19**

Units With LonTalk Settings	
Use menu RTU Menu > Network Integration > Network Setup Wizard > Set "LONTALK"	

**IMPORTANT:** Always refer to the white sticker titled ORIGINAL FACTORY UNIT CONFIGURATION located inside the control box area.

## CONFIGURATION ID 1

1 2 3 4 5 6 7 8

### Humiditrol [1]

Not Installed = **N**  
Humiditrol Installed = **H**  
Unconfigured = **U**

### Economizer [2]

Not Installed = **N**  
Motorized Outdoor Air  
Damper Only = **M**  
Economizer - Temperature = **T**  
Economizer Global = **G**  
Economizer - Single  
Enthalpy = **S**  
Economizer - Dual Enthalpy = **D**  
Unconfigured = **U**

### Power Exhaust [3]

Not Installed = **N**  
Dual-Stage = **D**  
Single-Stage = **S**  
Unconfigured = **U**

### Power Exhaust Control [4]

Not Installed = **N**  
Damper Position = **A**  
A34 Pressure Sensor = **C**

### [8] Outdoor Air Control

**N** = No Outdoor Air CFM Control  
**L** = Outdoor Air Control Installed  
with A24 Sensor set for low range.  
**M** = Outdoor Air Control Installed  
with A24 Sensor set for medium  
range.  
**H** = Outdoor Air Control Installed  
with A24 Sensor set for high  
range.

### [7] System Blower Sub-type

**N** = Not Applicable  
**B** = VFD Belt Drive Blower (MODBUS)  
**H** = Direct-Plus® Blower (MODBUS)  
**L** = ECM Direct-Drive Blower (PWM)

### [6] Blower Variable Frequency Drive Bypass

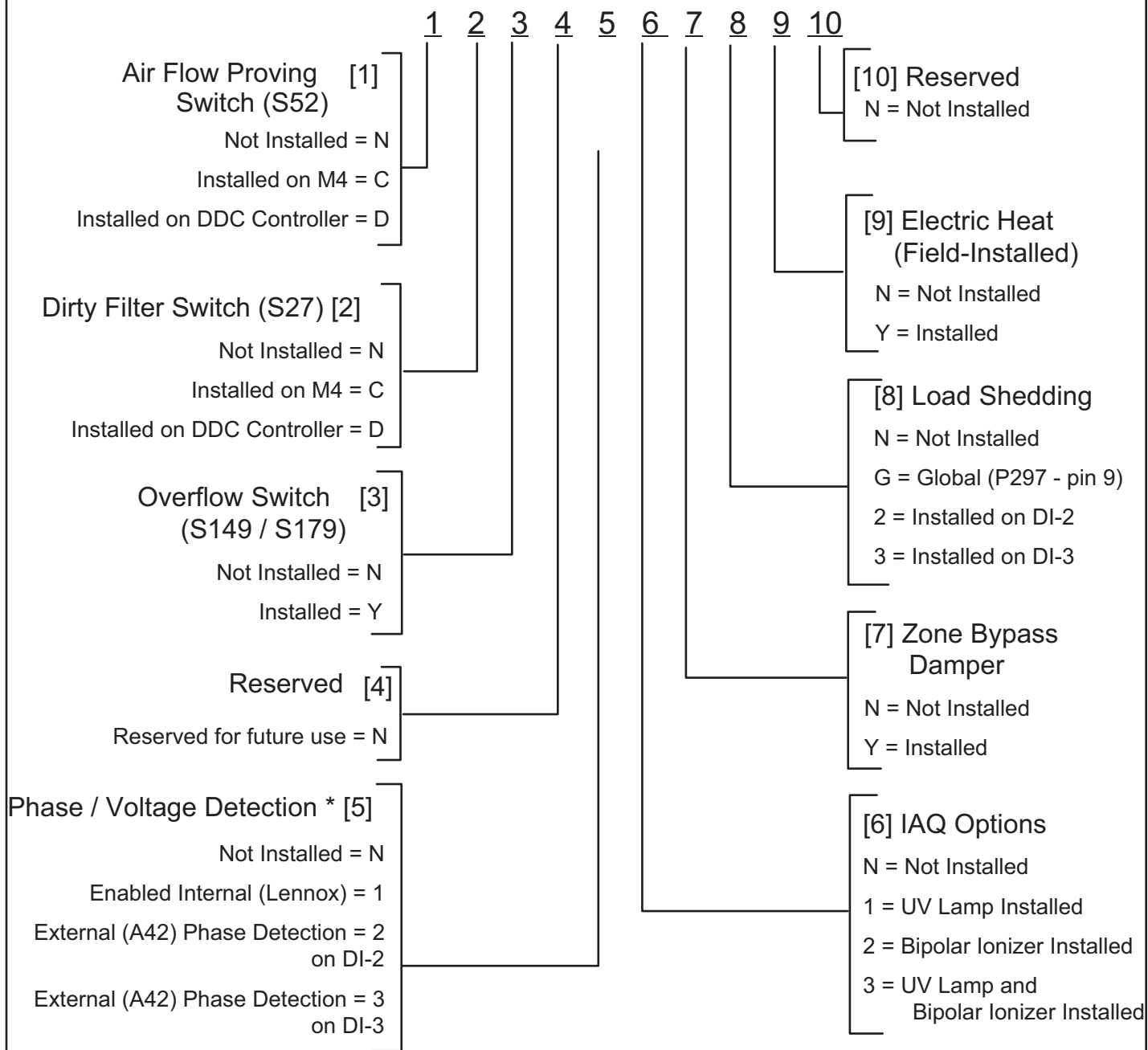
**N** = Not Installed  
**A** = Automatic Electronic Bypass  
**M** = Manual Electronic Bypass  
**U** = Electronic Bypass Field  
Un-configured

### [5] Network Module

**N** = Not Installed  
**L** = LonTalk

FIGURE 43

## Configuration ID 2



\* When phase detection and voltage monitoring is enabled and wired incorrectly, the system will go into demand hold status and restart after six minutes.

**FIGURE 44**

## Decommissioning

Before carrying out this procedure, it is essential that the technician is completely familiar with the equipment and all its detail. It is recommended good practice that all refrigerants are recovered safely.

Prior to the task being carried out, an oil and refrigerant sample shall be taken in case analysis is required prior to re-use of recovered refrigerant. It is essential that electrical power is available before starting decommissioning.

- a) Become familiar with the equipment and its operation.
- b) Isolate system electrically.
- c) Before attempting the procedure, ensure that:
  - mechanical handling equipment is available, if required, for handling refrigerant cylinders;
  - all personal protective equipment is available and being used correctly;
  - the recovery process is supervised at all times by a competent person;
  - recovery equipment and cylinders conform to the appropriate standards.
- d) Pump down refrigerant system, if possible.
- e) If a vacuum is not possible, make a manifold so that refrigerant can be removed from various parts of the system.
- f) Make sure that cylinder is situated on the scales before recovery takes place.
- g) Start the recovery machine and operate in accordance with instructions.
- h) Do not overfill cylinders (no more than 80% volume liquid charge).
- i) Do not exceed the maximum working pressure of the cylinder, even temporarily.
- j) When the cylinders have been filled correctly and the process completed, make sure that the cylinders and the equipment are removed from site promptly and all isolation valves on the equipment are closed off.
- k) Recovered refrigerant shall not be charged into another REFRIGERATING SYSTEM unless it has been cleaned and checked.



## IMPORTANT

Equipment shall be labelled stating that it has been decommissioned and emptied of refrigerant. The label shall be signed and dated. Ensure that there are labels on the equipment that state the flammability of the refrigerant used.

## START-UP REPORT

Job Name: \_\_\_\_\_  
 Store No. \_\_\_\_\_ Start-Up Date: \_\_\_\_\_  
 Address: \_\_\_\_\_  
 City: \_\_\_\_\_ State: \_\_\_\_\_  
 Start-Up Contractor: \_\_\_\_\_  
 Technician: \_\_\_\_\_  
 Model No.: \_\_\_\_\_  
 Serial No.: \_\_\_\_\_  
 RTU No.: \_\_\_\_\_ Catalog No.: \_\_\_\_\_

Inspections and Checks			
Damage?	Yes	No	R22 <input type="checkbox"/> R410A <input type="checkbox"/>
If yes, reported to: _____			
Verify factory and field-installed accessories.			
Check electrical connections. Tighten if necessary.			
Supply voltage: L1-L2 _____ L1-L3 _____ L2-L3 _____			
If unit contains a 208-230/240 volt transformer:			
Check primary transformer tap <input type="checkbox"/>			
Transformer secondary voltage: _____			

Cooling Checks												
Compressor Rotation <input type="checkbox"/> Ambient Temp. _____ Return Air Temp. _____ Supply Air Temp. _____												
	Compressor Amps			Compressor Volts			Pressures		Condenser Fan Amps			CC Heater Amps
	L1	L2	L3	L1-L2	L1-L3	L2-L3	Disch.	Suct.	L1	L2	L3	L1
1												
2												
3												
4												

Blower Checks			
Pulley/Belt Alignment <input type="checkbox"/>	Blower Rotation <input type="checkbox"/>		
Set Screws Tight <input type="checkbox"/>	Belt Tension <input type="checkbox"/>		
Nameplate Amps: _____		Volts: _____	
Motor	Amps	Volts	
	L1 _____	L1-L2 _____	
	L2 _____	L1-L3 _____	
	L3 _____	L2-L3 _____	

Heating Checks - Electric							
Return Air Temp.: _____ Supply Air Temp.: _____							
Limits Operate: <input type="checkbox"/>							
	Amps						
	L1	L2	L3		L1	L2	L3
1				10			
2				11			
3				12			
4				13			
5				14			
6				15			
7				16			
8				17			
9				18			

Heating Checks - Gas		
Fuel type: Nat. <input type="checkbox"/> LP <input type="checkbox"/> Inlet Pressure: _____ in. w.c.		
Return Air Temp.: _____ Supply Air Temp.: _____		
Altitude: _____ Primary Limits Operate: <input type="checkbox"/>		
CO <sub>2</sub> %: _____		
Gas Valve	Manifold Pressure	
	Low Fire	High Fire
GV1		
GV2		

Accessory Checks	
Power Exhaust Amps	
1 _____	2 _____ None <input type="checkbox"/>
Economizer Operation	
Min. Pos. <input type="checkbox"/>	Motor travel full open/close <input type="checkbox"/>

Control Type