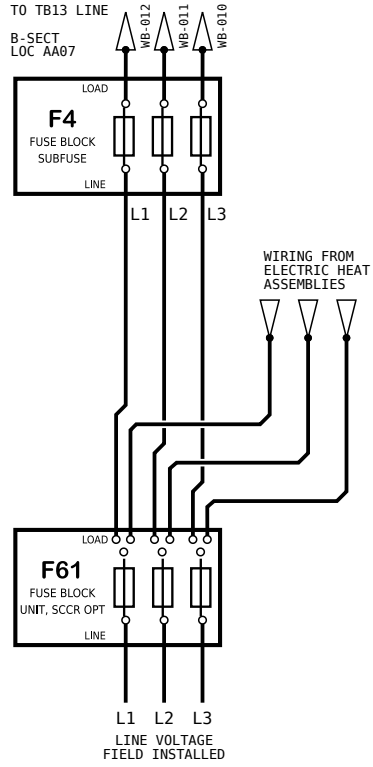
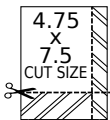


-----POWER ENTRY OPTIONS-----

LCT/LHT UNITS W/ELECTRIC HEAT



Model: LCT, LHT Series RTU with SCCR  
 Power Entry Options 078 - 152  
 Voltage: All Voltages  
 Supersedes: 538233-01 Form No: **538233-02** Rev: 0



REV	EC NO.	DATE	BY	APVD	REVISION NOTE
---	CN-012081N	07-02-2024	FEP	MCF	ORIGINATED AT PD&R CARROLLTON, TX