



# INSTALL INSTRUCTIONS FOR CONSOLIDATED COIL/HAIL GUARD TO SUIT LENNOX CAT # 12X21

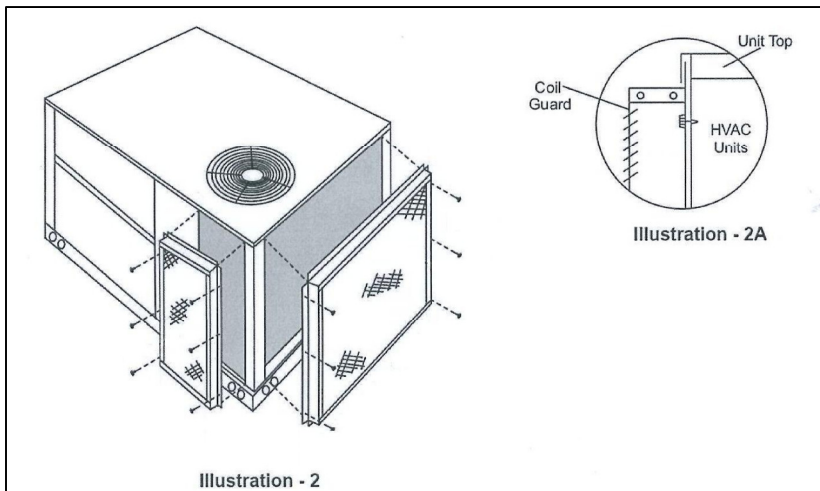
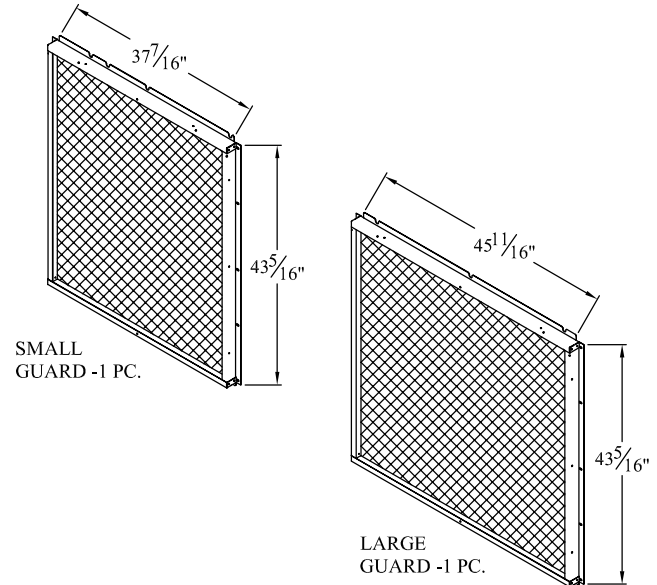
## ⚠ CAUTION

WHEN INSTALLING COIL GUARD BE SURE  
NOT TO PUNCTURE CONDENSER COIL

1. THE 12X21 COIL GUARDS ARE DESIGNED TO PROTECT THE CONDENSOR COIL OF THE HVAC UNIT. THE FOLLOWING ARE INCLUDED:-

SHIPPING AND PACKING LIST

- 1- SMALL COIL GUARD
- 1- LARGE COIL GUARD
- 1- HARDWARE BAG W/  
1-INSTRUCTIONS
- 20-#10-1/2" SCREWS



### INSTALLATION

1. DISCONNECT ALL POWER SOURCES TO THE UNIT.
2. SLIDE THE TOP FLANGE OF SMALL COIL GUARD UNDERNEATH THE TOP FLANGE OF THE HVAC UNIT. (SEE ILL. 2 AND 2A)
3. SCREW THE SIDE FLANGES OF THE GUARD WITH THE UNIT. TO AVOID COIL DAMAGE, USE ONLY 1/2" SCREWS PROVIDED.

**NOTE:- BE CAREFUL NOT TO DAMAGE THE COIL WHILE INSTALLING THE GUARD.**

**THE SELF DRILLING SCREWS PROVIDED CAN BE USED ON ALL THE SIDES WITH OR WITHOUT MATCHING HOLES IN THE UNIT.**

5000325 LCCGH033

AUG.,20,2015



INSTALL INSTRUCTIONS FOR  
CONSOLIDATED COIL/HAIL GUARD  
TO SUIT  
LENNOX CAT # 12X21

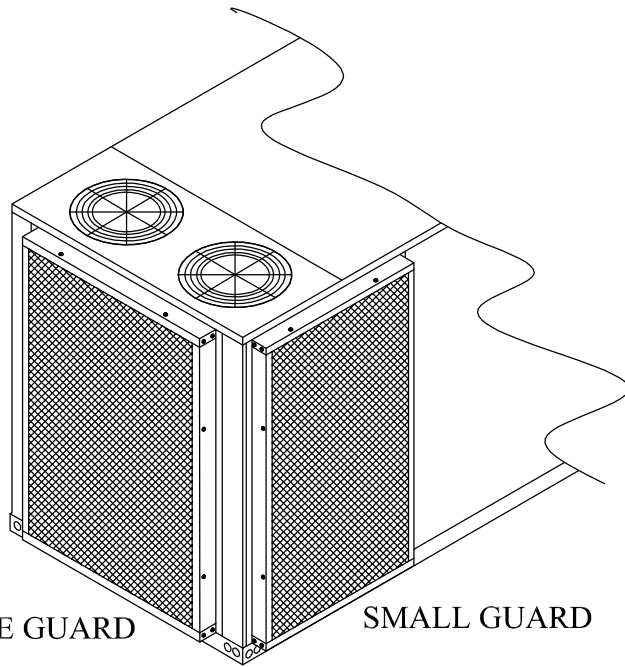


FIG. 2

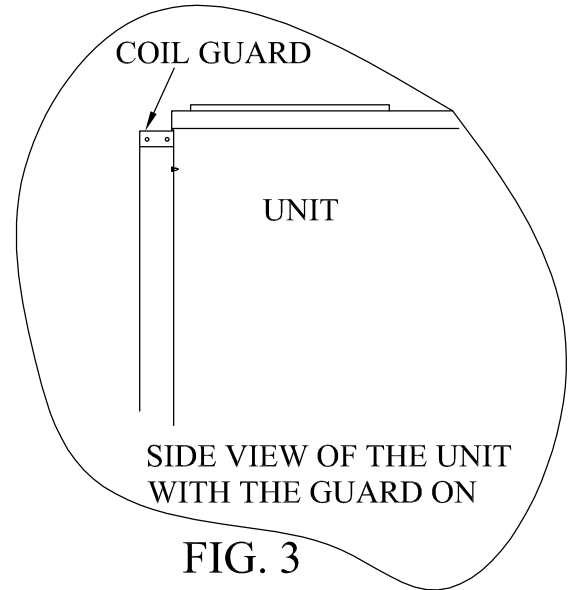


FIG. 3

5. REPEAT THE PROCESS FOR THE LARGE GUARD. TO AVOID COIL DAMAGE, USE ONLY SCREWS PROVIDED.