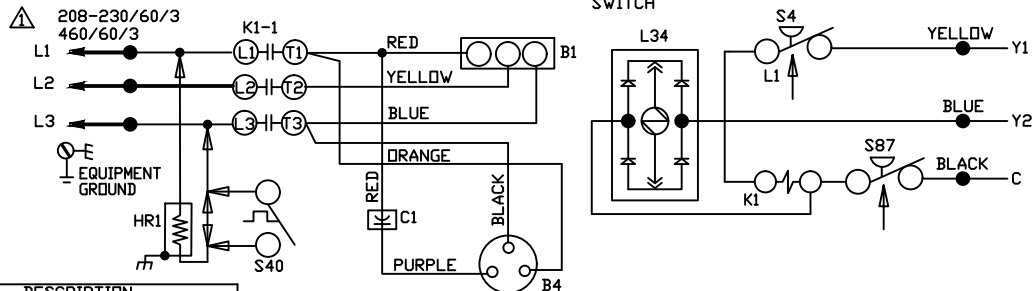
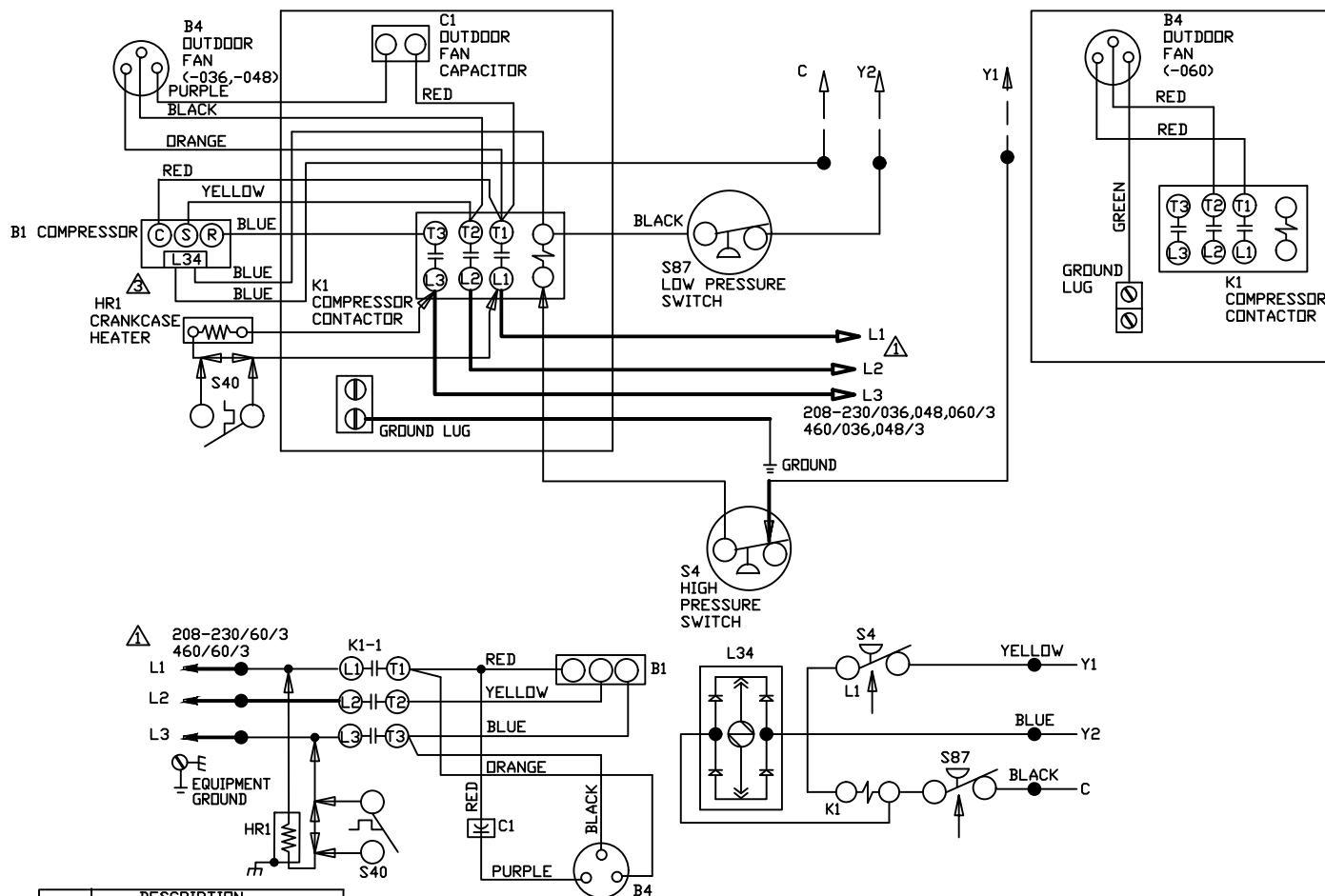


CUT SIZE 8-1/8"WIDE x 7-3/4" TALL



KEY	DESCRIPTION COMPONENT
B1	COMPRESSOR
B4	MOTOR-OUTDOOR FAN
C1	CAPACITOR-OUTDOOR FAN
HR1	HEATER-COMPRESSOR
K1-1	CONTACTOR-COMPRESSOR
S4	SWITCH-HIGH PRESSURE
S87	SWITCH-LOSS OF CHARGE
S40	THERMOSTAT-CRANKCASE


⚠ FOR USE WITH COPPER CONDUCTORS ONLY. REFER TO UNIT RATING PLATE FOR MINIMUM CIRCUIT AMPACITY AND MAXIMUM OVERCURRENT PROTECTION SIZE

⚠ JUMPER IS USED WHEN TOC IS NOT USED

WARNING-  
ELECTRIC SHOCK HAZARD,CAN CAUSE INJURY OR DEATH. UNIT MUST BE GROUNDED IN ACCORDANCE WITH NATIONAL AND LOCAL CODES.

⚠ L34 SOLENOID IS LOCATED IN COMPRESSOR. COIL IS 24VDC. DO NOT CONNECT 24VAC TO COIL TERMINALS

— LINE VOLTAGE FIELD INSTALLED  
- - - CLASS II VOLTAGE FIELD INSTALLED DENOTES OPTIONAL COMPONENTS

ML18XC2-036-233/463 ML18XC2-048-233/463 ML18XC2-060-233	Supersedes
06/22 	Form No. 538346-01