



01

02

03

04

05

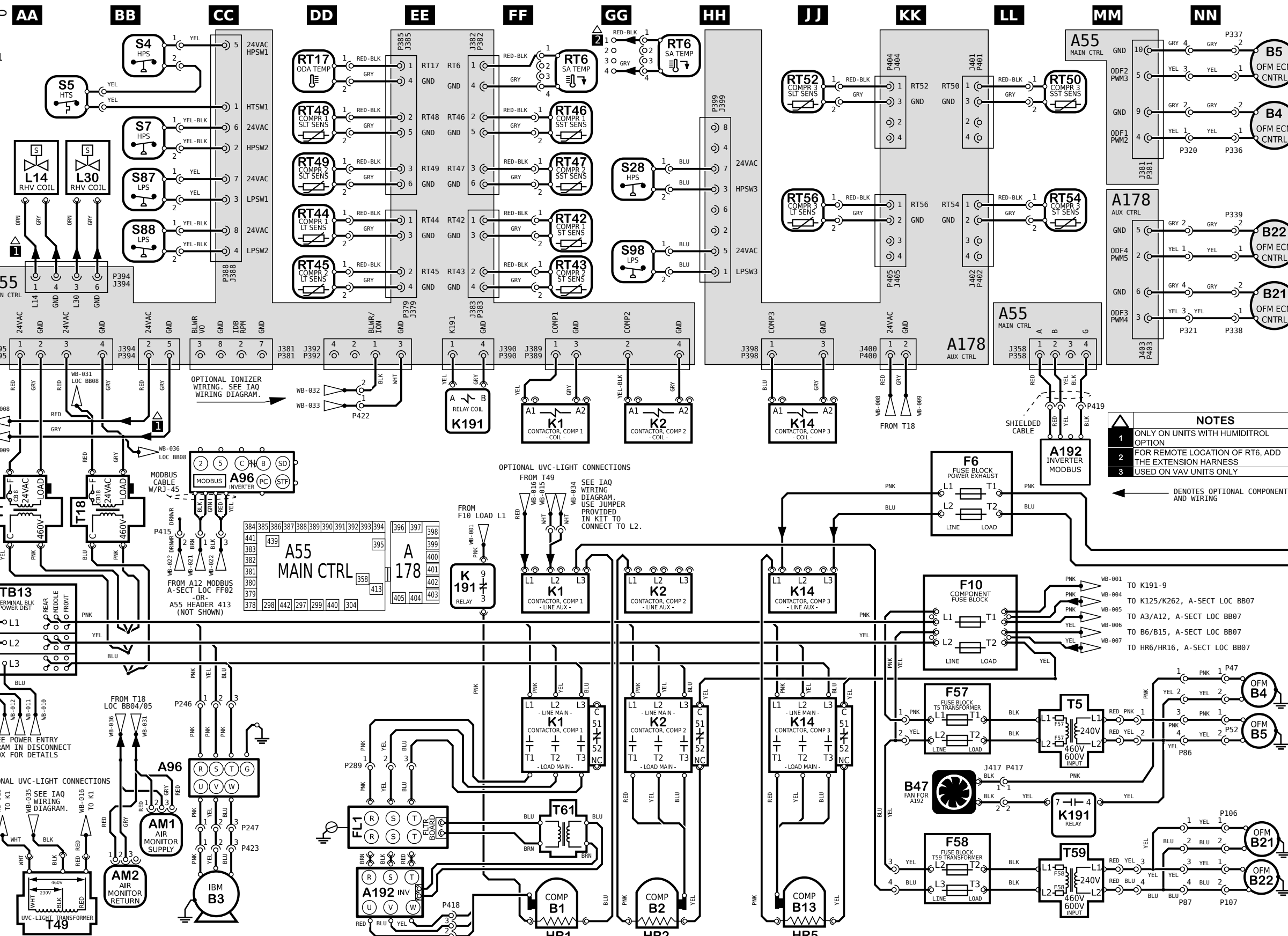
06

07

08

09

10



KEY LIST		
LOCATION	COMPONENT DESCRIPTION	
SS08	A30	TRANSDUCER, SA DUCT PRESSURE
CC05/08	A96	CONTROL INVERTER, BLOWER
MM05,EE10	A192	INVERTER, COMPRESSOR 1
BB08	AM1, AM2	AIR MONITOR, SUPPLY/RETURN, IAQ-TVOC
FF/GG/JJ10	B1, B2, B13	COMPRESSOR 1, 2, 3
CC10	B3	MOTOR, BLOWER
PP02,NN08	B4, B5, B21, B22	MOTOR, OUTDOOR FAN 1, 2, 3, 4
QQ09	B10, B11	MOTOR, EXHAUST FAN 1, 2
KK09	B47	MOTOR, COOLING FAN FOR A192
QQ09	C6, C8	CAPACITOR, EXHAUST FAN 1, 2
LL05	F6	FUSE, EXHAUST FAN
LL07	F10	FUSE, COMPONENT
LL08	F57	FUSE, T5 TRANSFORMER PRIMARY
LL09	F58	FUSE, T59 TRANSFORMER PRIMARY
EE09	FL1	FILTER BOARD
FF/GG/JJ10	HR1, HR2, HR5	HEATER, COMPRESSOR 1, 2, 3
FF/GG05,08,08	K1, K2, K14	CONTACTOR, COMPRESSOR 1, 2, 3
QQ07	K65, K231	RELAY, EXHAUST FAN 1, 2
EE05/06,MM09	K191	RELAY, CRANKCASE HEATER 1
EE05	K203	RELAY, INVERTER CONTROL
AA02	L14, L30	VALVE, SOLENOID, REHEAT COIL 1, 2
DD09	L43	REACTOR INVERTER
GG01	RT6	SENSOR, A55 DISCHARGE (IMC)
DD01	RT17	SENSOR, OUTSIDE AIR TEMP
GG03,MM02	RT42, RT43, RT54	SENSOR, SUCTION TEMP., COMP 1, 2, 3
DD08, JJ02	RT44, RT45, RT56	SENSOR, LIQUID TEMP., COMP 1, 2, 3
GG02, MM01	RT46, RT47, RT50	SENSOR, SAT. SUCT TEMP., COMP 1, 2, 3
DD01/02, JJ01	RT48, RT49, RT52	SENSOR, SAT. LIQUID TEMP., COMP 1, 2, 3
BB01/02, GG02	S4, S7, S28	LIMIT, HI PRESS. SWITCH, COMP 1, 2, 3
AA01	S5	LIMIT, HI TEMP. SWITCH, COMP 1
BB02/03, GG03	S87, S88, S98	SWITCH, LOW PRESS., COMP. 1, 2, 3
AA08	T1	TRANSFORMER, CONTROL
MM08/09	T5, T59	TRANSFORMER, OUTDOOR FAN MOTOR
BB06	T18	TRANSFORMER, CONTACTOR
AA10	T49	TRANSFORMER, UV-C-LIGHT POWER
FF09	T61	TRANSFORMER, INV INTERNAL POWER
AA07	TB13	TERMINAL STRIP, POWER DISTRIBUTION

NOTES

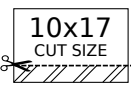
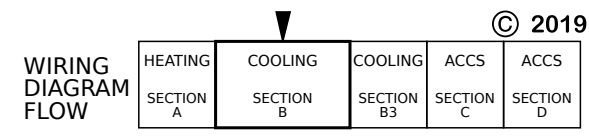
- ONLY ON UNITS WITH HUMIDITROL OPTION
- FOR REMOTE LOCATION OF RT6, ADD THE EXTENSION HARNESS
- USED ON VAV UNITS ONLY

↑ DENOTES OPTIONAL COMPONENTS AND WIRING

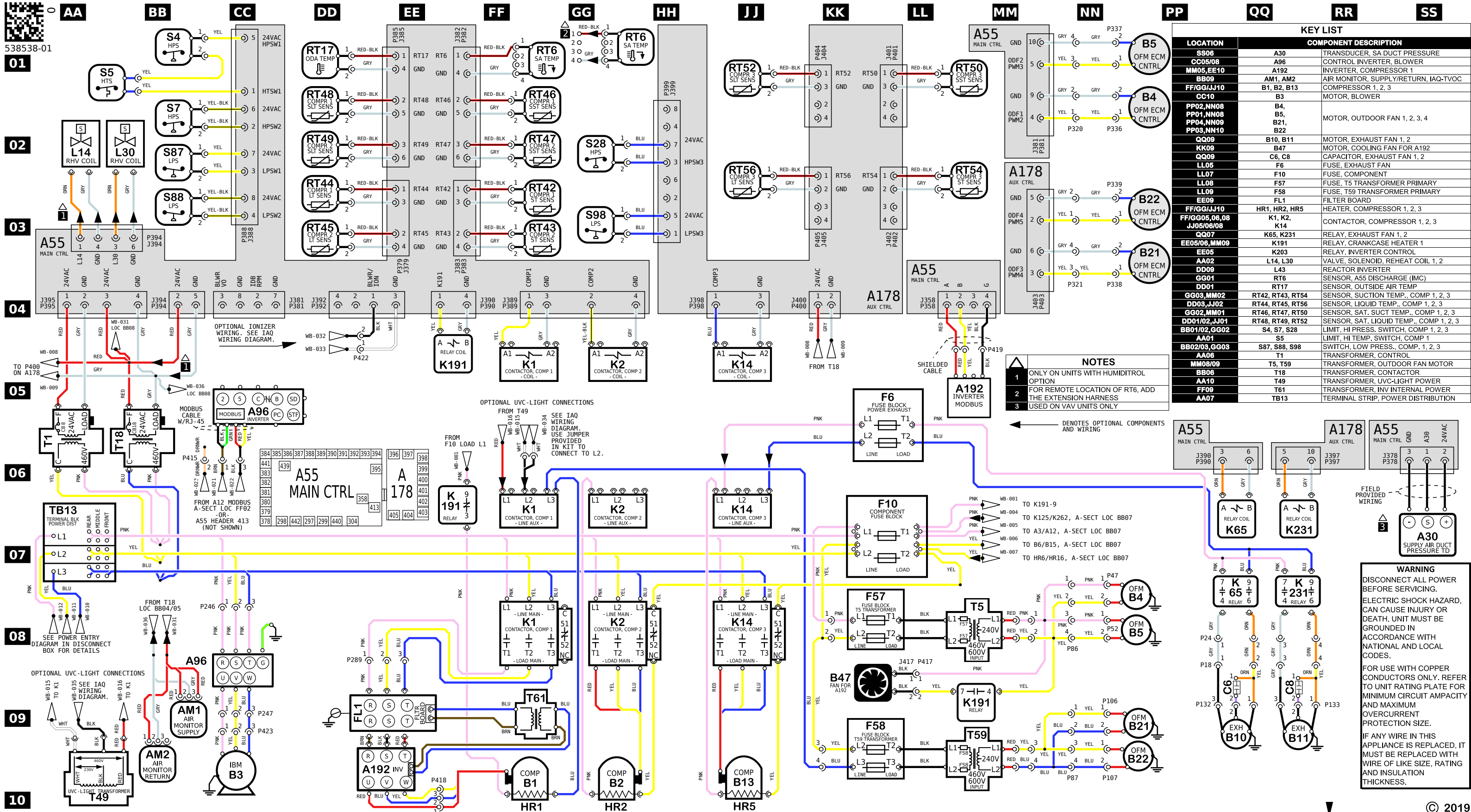
WARNING
DISCONNECT ALL POWER BEFORE SERVICING. ELECTRIC SHOCK HAZARD. CAN CAUSE INJURY OR DEATH. UNIT MUST BE GROUNDED IN ACCORDANCE WITH NATIONAL AND LOCAL CODES.
FOR USE WITH COPPER CONDUCTORS ONLY. REFER TO UNIT RATING PLATE FOR MINIMUM CIRCUIT AMPACITY AND MAXIMUM OVERCURRENT PROTECTION SIZE.
IF ANY WIRE IN THIS APPLIANCE IS REPLACED, IT MUST BE REPLACED WITH WIRE OF LIKE SIZE, RATING AND INSULATION THICKNESS.

Model: LCM, LGM 156U, 180U - G-VOLT
COOLING - MSAV NO BYPASS -OR- VAV - 3 COMPRESSORS 4 CONDENSER FANS

Voltage: 460V/3~60Hz (G)
Supersedes: N/A Form No: 538538-01 Rev: 0



REV	EC NO.	DATE	BY	APVD	REVISION NOTE
---	CN-012015	06-04-2024	DEV	JAL21	ORIGINATED AT PD&R CARROLLTON, TX



KEY LIST		
LOCATION	COMPONENT DESCRIPTION	
SS08	A30	TRANSDUCER, SA DUCT PRESSURE
CC05/08	A96	CONTROL INVERTER, BLOWER
MM05,EE10	A192	INVERTER, COMPRESSOR 1
BB08	AM1, AM2	AIR MONITOR, SUPPLY/RETURN, IAQ-TVOC
FF/GG/JJ10	B1, B2, B13	COMPRESSOR 1, 2, 3
CC10	B3	MOTOR, BLOWER
PP02,NN08	B4, B5, B21, B22	MOTOR, OUTDOOR FAN 1, 2, 3, 4
QQ09	B10, B11	MOTOR, EXHAUST FAN 1, 2
KK09	B47	MOTOR, COOLING FAN FOR A192
QQ09	C6, C8	CAPACITOR, EXHAUST FAN 1, 2
LL05	F6	FUSE, EXHAUST FAN
LL07	F10	FUSE, COMPONENT
LL08	F57	FUSE, T5 TRANSFORMER PRIMARY
LL09	F58	FUSE, T59 TRANSFORMER PRIMARY
EE09	FL1	FILTER BOARD
FF/GG/JJ10	HR1, HR2, HR5	HEATER, COMPRESSOR 1, 2, 3
FF/GG05,08,08	K1, K2, K14	CONTACTOR, COMPRESSOR 1, 2, 3
QQ07	K65, K231	RELAY, EXHAUST FAN 1, 2
EE05/06,MM09	K191	RELAY, CRANKCASE HEATER 1
EE05	K203	RELAY, INVERTER CONTROL
AA02	L14, L30	VALVE, SOLENOID, REHEAT COIL 1, 2
DD09	L43	REACTOR INVERTER
GG01	RT6	SENSOR, A55 DISCHARGE (IMC)
DD01	RT17	SENSOR, OUTSIDE AIR TEMP
GG03,MM02	RT42, RT43, RT54	SENSOR, SUCTION TEMP., COMP 1, 2, 3
DD08, JJ02	RT44, RT45, RT56	SENSOR, LIQUID TEMP., COMP 1, 2, 3
GG02, MM01	RT46, RT47, RT50	SENSOR, SAT. SUCT TEMP., COMP 1, 2, 3
DD01/02, JJ01	RT48, RT49, RT52	SENSOR, SAT. LIQUID TEMP., COMP 1, 2, 3
BB01/02, GG02	S4, S7, S28	LIMIT, HI PRESS. SWITCH, COMP 1, 2, 3
AA01	S5	LIMIT, HI TEMP. SWITCH, COMP 1
BB02/03, GG03	S87, S88, S98	SWITCH, LOW PRESS., COMP. 1, 2, 3
AA08	T1	TRANSFORMER, CONTROL
MM08/09	T5, T59	TRANSFORMER, OUTDOOR FAN MOTOR
BB06	T18	TRANSFORMER, CONTACTOR
AA10	T49	TRANSFORMER, UV-C-LIGHT POWER
FF09	T61	TRANSFORMER, INV INTERNAL POWER
AA07	TB13	TERMINAL STRIP, POWER DISTRIBUTION

NOTES

- ONLY ON UNITS WITH HUMIDITROL OPTION
- FOR REMOTE LOCATION OF RT6, ADD THE EXTENSION HARNESS
- USED ON VAV UNITS ONLY

▲ DENOTES OPTIONAL COMPONENTS AND WIRING

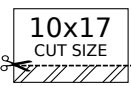
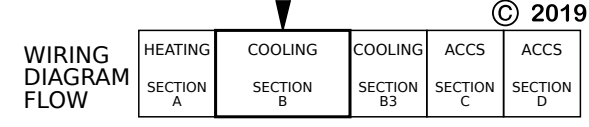
WARNING

DISCONNECT ALL POWER BEFORE SERVICING. ELECTRIC SHOCK HAZARD. CAN CAUSE INJURY OR DEATH. UNIT MUST BE GROUNDED IN ACCORDANCE WITH NATIONAL AND LOCAL CODES.

FOR USE WITH COPPER CONDUCTORS ONLY. REFER TO UNIT RATING PLATE FOR MINIMUM CIRCUIT AMPACITY AND MAXIMUM OVERCURRENT PROTECTION SIZE.

IF ANY WIRE IN THIS APPLIANCE IS REPLACED, IT MUST BE REPLACED WITH WIRE OF LIKE SIZE, RATING AND INSULATION THICKNESS.

Model: LCM, LGM 156U, 180U - G-VOLT Voltage: 460V/3~60Hz (G)
 COOLING - MSAV NO BYPASS -OR- VAV - 3 COMPRESSORS 4 CONDENSER FANS Supersedes: N/A Form No: 538538-01 Rev: 0



REV	EC NO.	DATE	BY	APVD	REVISION NOTE
---	CN-012015	06-04-2024	DEV	JAL21	ORIGINATED AT PD&R CARROLLTON, TX