



SUBMITTAL DATA – **Multi-Position**
AHU MPC036S4S-1P – MMA036S4-1P
 SINGLE ZONE MINI-SPLIT HEAT PUMP

Job: _____
Location: _____
Schedule No.: _____
System Designation: _____

Engineer: _____
Architect: _____
Date: _____
For: Reference Approval Review Construction

FEATURES

Outdoor Unit: MPC036S4S-1P



- DC Inverter Control
- Compressor Overcurrent Protection
- Base Pan Heater
- Defrost Control

Indoor Unit: MMA036SM4-1P



- Constant torque blower motor
- Multi-position cabinet (upflow, downflow, horizontal)
- Completely insulated with foil faced fiberglass insulation
- Low leakage (less than 2%) cabinet
- Furnished Wired Programmable Controller and Wireless Remote Controller

PIPING

Line Set and Elevation Guidelines

| | |
|--|----------|
| Maximum Line Set Length ft. (m) | 213 (65) |
| Maximum Elevation - Outdoor Unit Below/Above Indoor Unit ft. (m) | 98 (30) |
| Liquid Line Set Diameter (in.) | 3/8 |
| Gas Line Set Diameter (in.) | 5/8 |
| Pre-Charged (ft.) | 25 |
| Additional Charge of Refrigerant (oz/ft.) | 0.32 |

PRODUCT WARRANTY

Compressor – Twelve year limited warranty*
 All other covered components - Twelve year limited warranty*
 *Product registration required

OPTIONAL ACCESSORIES

Hail Guards (M9GARD22Q-1)
 Wired Non-PGM Controller (M0STAT120L-1)
 M30 Smart Wi-Fi Thermostat (M0STAT64Q-2)



NOTE – Due to Lennox' ongoing commitment to quality, Specifications, Ratings, and Dimensions are subject to change without notice and without incurring liability. Improper installation, adjustment, alteration, service or maintenance can cause property damage or personal injury. Installation and service must be performed by a qualified installer and servicing agency.



SUBMITTAL DATA - **Multi-Position** **AHU MPC036S4S-1P - MMA036S4-1P** SINGLE ZONE MINI-SPLIT HEAT PUMP

OUTDOOR SPECIFICATIONS

PERFORMANCE

| | |
|---------------------------------------|---------------|
| Cooling Capacity (Btu/h) ¹ | 36,000 |
| EER2 | 8.2 |
| SEER2 | 15.4 |
| Heating Capacity (Btu/h) ¹ | 38,000 |
| HSPF2 | 9.0 |
| Outdoor Fan Total Air Volume (CFM) | 2,120 |
| Ambient Temperature Operating Range | |
| Cooling | -13°F - 122°F |
| Heating | -13°F - 86°F |

ELECTRICAL DATA

| | |
|------------------------------------|--------------|
| Power Supply (V/Hz/Φ) | 208-230/60/1 |
| Minimum Circuit Ampacity (A) | 30 |
| Maximum Overcurrent Protection (A) | 45 |
| No. of Compressors | 1 |

GENERAL DATA

| | |
|------------------------------------|--------------|
| Connection Ratio (%) | 100% |
| Max. # of Indoor Units | 1 unit |
| Sound Data (dBA) - Cooling/Heating | 65/65 |
| Refrigerant type | R-410A |
| Factory refrigerant charge | 7 lbs. 1 oz. |

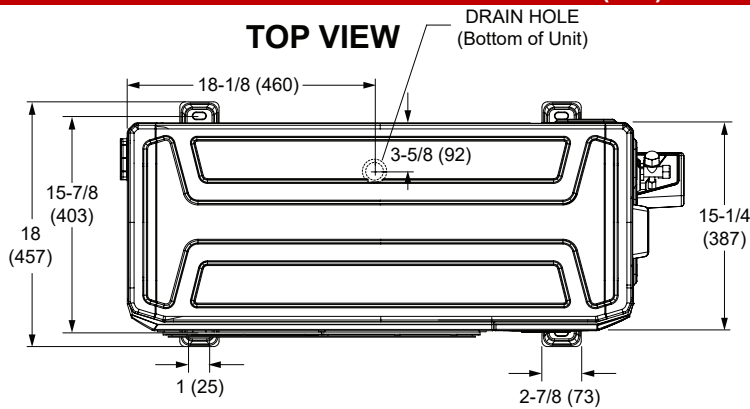
DIMENSIONS

| | | |
|----------------------|--------|--------|
| Unit Dimensions (in) | Height | 31-7/8 |
| | Width | 40-1/2 |
| | Depth | 18 |
| Shipping Weight (lb) | | 166 |
| Net Weight (lb) | | 155 |

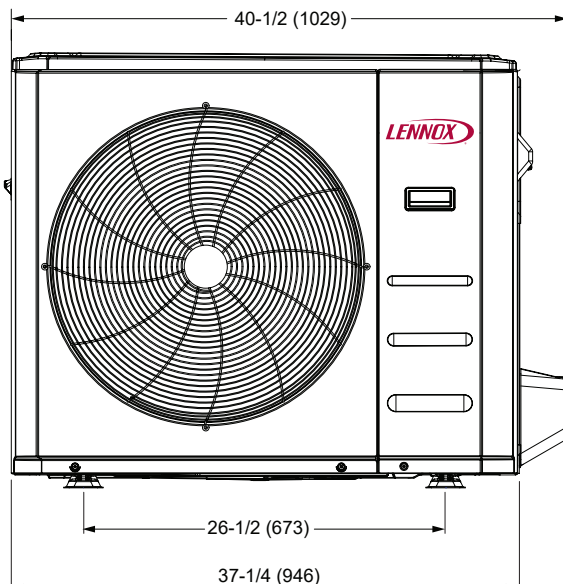
NOTES

1. Cooling and Heating Capacity data is rated at the following conditions:
Cooling: 80°FDB / 67°FWB Indoor, 95°FDB Outdoor
Heating: 70°FDB Indoor, 47°FDB / 43°FWB Outdoor

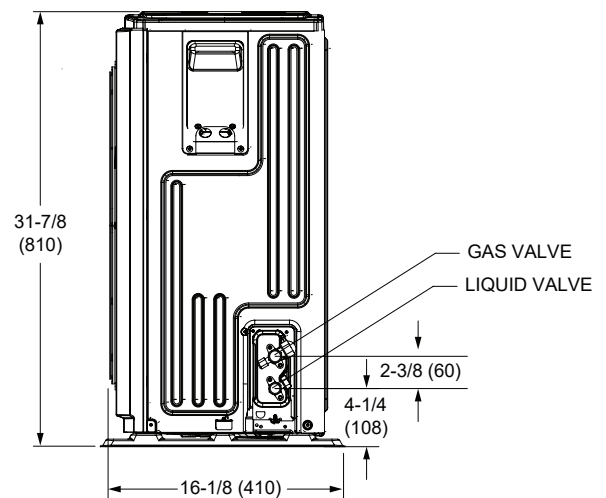
OUTDOOR DIMENSIONAL DRAWINGS - INCHES (MM)



FRONT VIEW



SIDE VIEW



NOTE - Due to Lennox' ongoing commitment to quality, Specifications, Ratings, and Dimensions are subject to change without notice and without incurring liability. Improper installation, adjustment, alteration, service or maintenance can cause property damage or personal injury. Installation and service must be performed by a qualified installer and servicing agency.



SUBMITTAL DATA – Multi-Position AHU MPC036S4S-1P – MMA036S4-1P

SINGLE ZONE MINI-SPLIT HEAT PUMP

INDOOR SPECIFICATIONS

PERFORMANCE

| | | |
|-------------------------------------|--------|----------|
| Airflow (CFM) | High | 1082 |
| | Medium | 971 |
| | Low | 865 |
| External Static Pressure (in. w.g.) | | 0 - 0.80 |
| Sound Pressure (dBA) | High | 46 |
| | Medium | 42 |
| | Low | 39.5 |

ELECTRICAL DATA

| | |
|---------------------------------------|-------------------|
| Power Supply (V/Hz/Φ) | 208/230V 60Hz 1Ph |
| Maximum Overcurrent Protection (MOCP) | 15 |
| Minimum Circuit Ampacity (MCA) | 5 |

DIMENSIONS

| | | |
|----------------------|--------|--------|
| Unit Dimensions (in) | Height | 49 |
| | Width | 17-1/2 |
| | Depth | 21 |

Shipping Weight (lb) 153

PIPING

| | |
|-----------------------------|-----------|
| Liquid/Gas O.D. Flare (in.) | 3/8 , 5/8 |
| Drain Connection O.D. (in.) | 3/4 |

FILTERS

| | |
|---------------------------------|--------------------------------|
| Size of filter - in. | 19-1/2 x 20 x 1 |
| Optional Electric Heat | Electric Heat - Please see EHB |
| Electric Heat Net Weight - lbs. | 13 |

INDOOR DIMENSIONAL DRAWINGS - INCHES (MM)

| Model No. | 018 / 024 | | 036 / 048 | | 060 | |
|------------|-----------|------|-----------|------|--------|------|
| | in. | mm | in. | mm | in. | mm |
| A (Height) | 45 | 1143 | 49 | 1245 | 53 | 1346 |
| B Width) | 17-1/2 | 445 | 21-1/4 | 540 | 24-1/2 | 622 |
| C | 15-5/8 | 397 | 19-1/8 | 486 | 22-5/8 | 575 |
| D | 15-1/8 | 384 | 18-5/8 | 473 | 22-1/8 | 562 |
| E | 1-1/4 | 32 | 1-1/4 | 32 | 1-1/8 | 28 |
| F | 1-1/2 | 38 | 1-5/8 | 41 | 1-5/8 | 41 |
| G | 5/8 | 16 | 5/8 | 16 | 3/4 | 19 |

NOTE – Due to Lennox' ongoing commitment to quality, Specifications, Ratings, and Dimensions are subject to change without notice and without incurring liability. Improper installation, adjustment, alteration, service or maintenance can cause property damage or personal injury. Installation and service must be performed by a qualified installer and servicing agency.

496008 (202407)

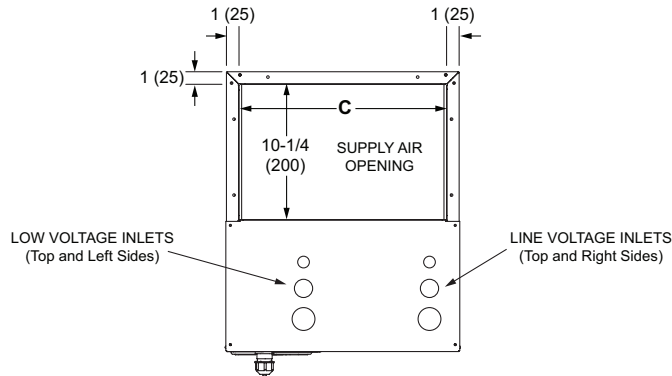
©2024 Lennox Industries, Inc.



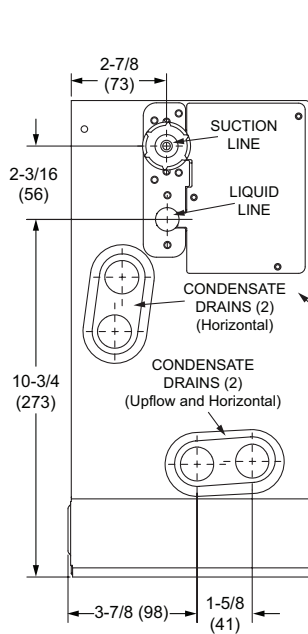
SUBMITTAL DATA – Multi-Position AHU MPC036S4S-1P – MMA036S4-1P

SINGLE ZONE MINI-SPLIT HEAT PUMP

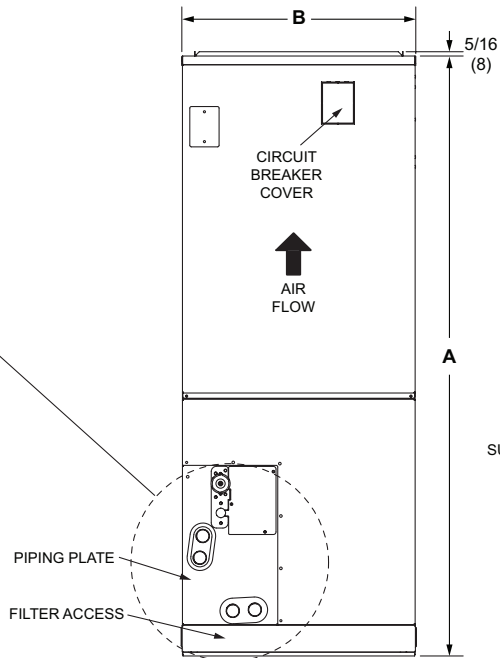
INDOOR DIMENSIONAL DRAWINGS - INCHES (MM)



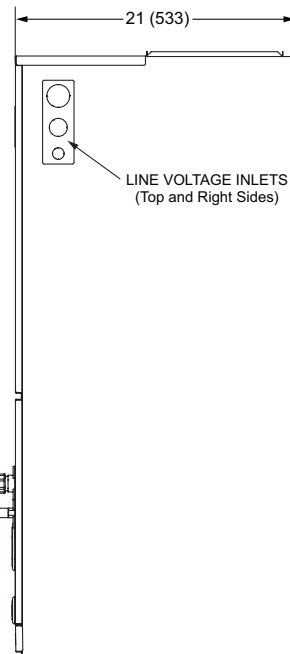
TOP VIEW



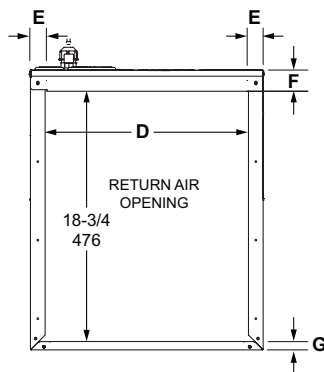
PIPING PLATE DETAIL



FRONT VIEW



RIGHT SIDE VIEW



BOTTOM VIEW

NOTE – Due to Lennox' ongoing commitment to quality, Specifications, Ratings, and Dimensions are subject to change without notice and without incurring liability. Improper installation, adjustment, alteration, service or maintenance can cause property damage or personal injury. Installation and service must be performed by a qualified installer and servicing agency.

496008 (202407)

©2024 Lennox Industries, Inc.