



Powered by
SAMSUNG

SUBMITTAL DATA - INDOOR UNIT
VSCC024S4-4P
Ductless Floor Standing

Job: _____
Location: _____
Schedule No.: _____
System Designation: _____

Engineer: _____
Architect: _____
Location: _____
Date: _____
For: Reference Approval Review Construction

Floor Standing Indoor Unit (Concealed)

FEATURES

- Easy Maintenance
- Advanced Commissioning and Service
- Refrigerant R-410A
- Five Capacity Sizes from 7,6000 to 24,000 Btu/h

WARRANTY

- 10-year limited warranty.*See warranty for details.

SPECIFICATIONS

PERFORMANCE		
Cooling Capacity ¹ (Btu/h)		24,000
Heating Capacity ¹ (Btu/h)		27,000
Airflow (CFM)	Low/Medium/High	390/495/550
External Static Pressure (in. w.g.)		-
Sound (dBA)	Low/Medium/High	32/36/40
ELECTRICAL DATA		
Power Supply (Volts/Hertz/Phase)		208-230/60/1
Cooling Power Input (W)		110
Cooling Rated Current (A)		0.53
Heating Power Input (W)		110
Heating Rated Current (A)		0.53
Fan Motor U [~] put (W)		FEA
DIMENSIONS		
Unit Dimensions (in)	Width	48.23
	Height	23.62
	Depth	8.66
Liquid Pipe Connection (in) (I.D.)		3/8
Gas Pipe Connection (in) (I.D.)		5/8
Net Weight (lb)		62.8
Shipping Weight (lb)		73.8

OPTIONAL ACCESSORIES

VSTAT02P-1 Touch Screen Wired Controller	37P79
VSTAT04P-1 Individual Wired Controller	37Y74
VSTAT01P-1 Wireless Remote Controller	37Y73



NOTES

1. Nominal capacity are based on (Refrigerant Piping : 25ft , Level Differences : 0ft);
.Cooling : Indoor temperature : 80°F DB, 67°F WB / Outdoor temperature : 95°F DB, 75°F WB
.Heating : Indoor temperature : 70°F DB, 60°F WB / Outdoor temperature : 47°F DB, 43°F WB
2. Sound pressure was acquired in a dead room. Thus actual noise level may be different depending on the installation conditions.
3. Specifications are subject to change without prior notice for product improvement.



NOTE – Due to Lennox' ongoing commitment to quality, Specifications, Ratings and Dimensions subject to change without notice and without incurring liability. Improper installation, adjustment, alteration, service or maintenance can cause property damage or personal injury. Installation and service must be performed by a qualified installer and servicing agency.



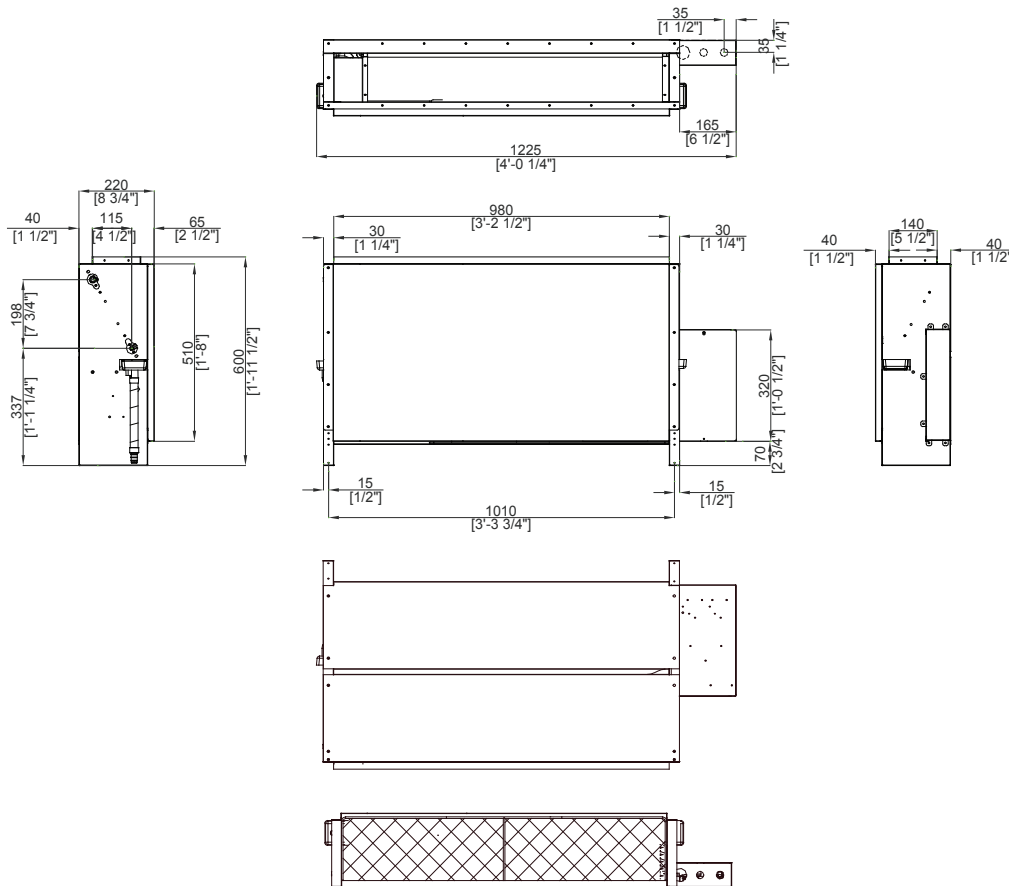
Powered by
SAMSUNG

SUBMITTAL DATA - INDOOR UNIT

VSCC024S4-4P

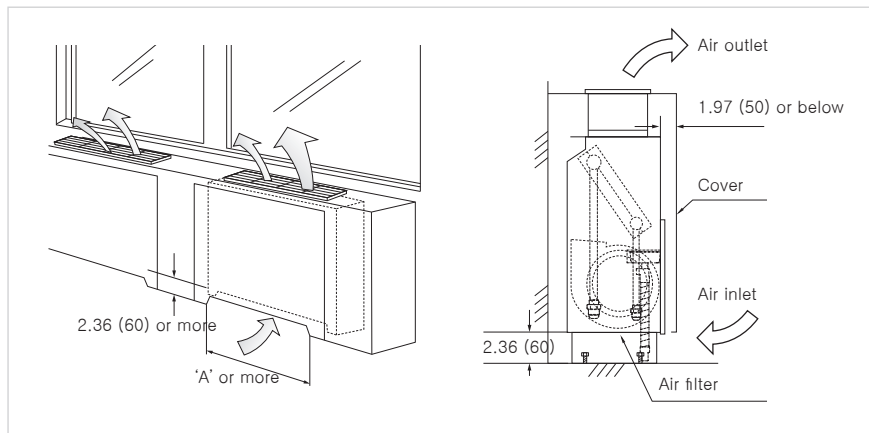
Ductless Floor Standing

DIMENSIONAL DRAWINGS - MM (IN.)



* Installation Guide

Unit: inch (mm)



NOTE - Due to Lennox' ongoing commitment to quality, Specifications, Ratings and Dimensions subject to change without notice and without incurring liability. Improper installation, adjustment, alteration, service or maintenance can cause property damage or personal injury. Installation and service must be performed by a qualified installer and servicing agency.

496286 (202412)

©2024 Lennox Industries Inc.