

538147-04  
01

02

03

04

05

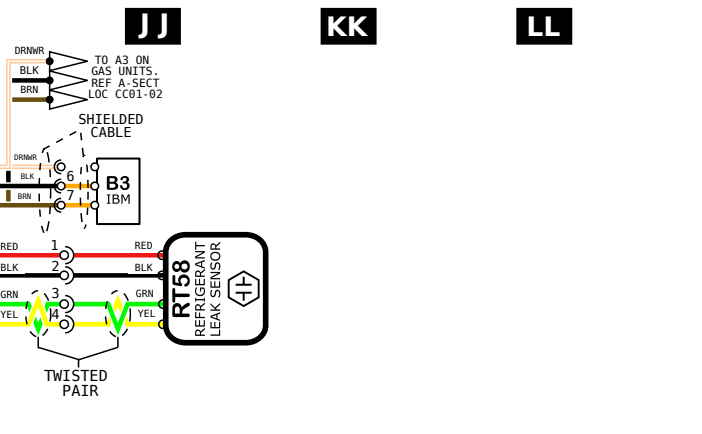
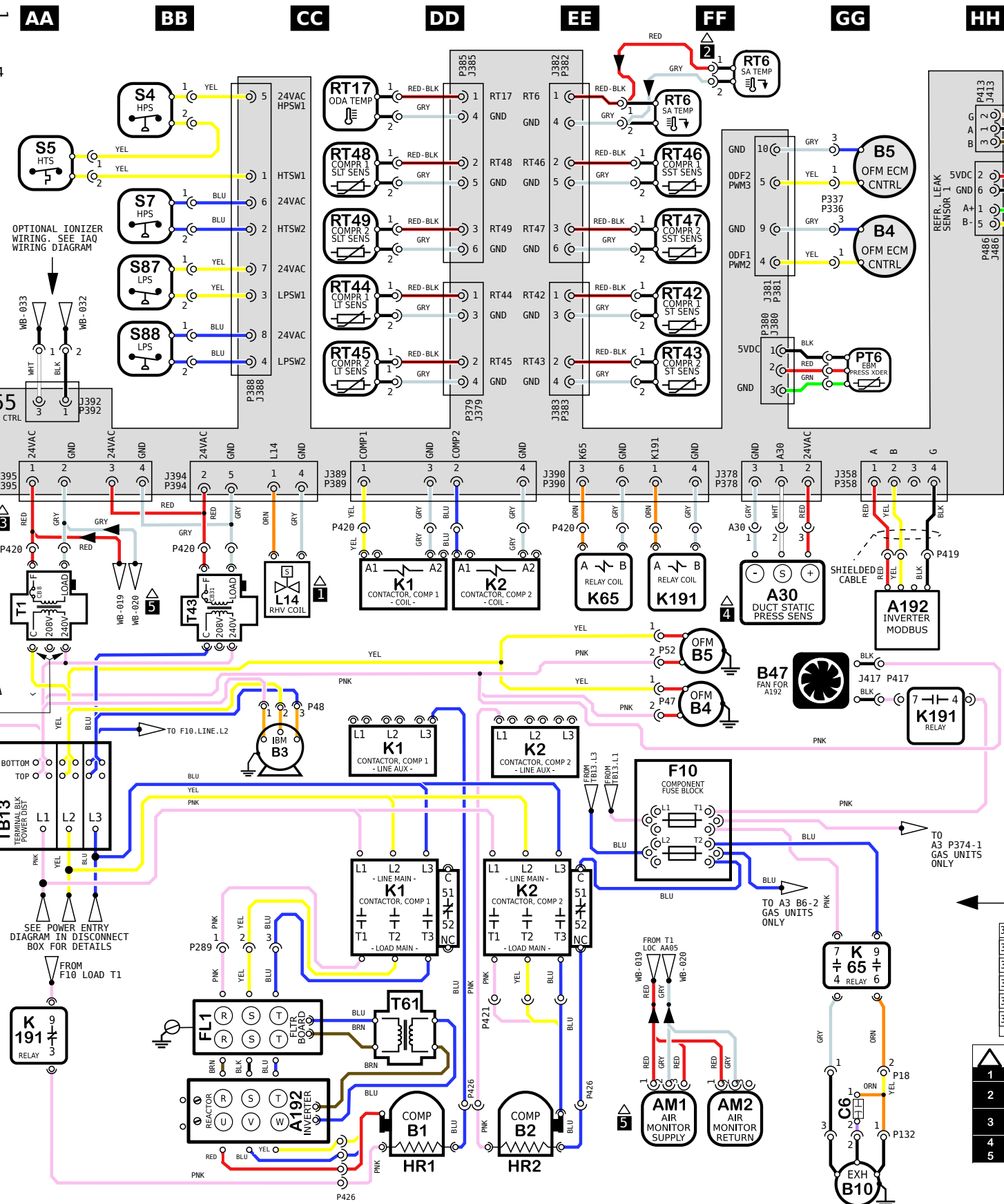
06

07

08

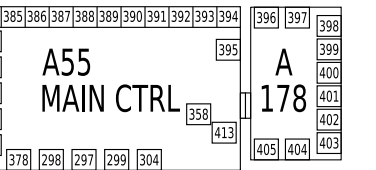
09

10



KEY LIST		
LOCATION		COMPONENT DESCRIPTION
FF/GG05	A30	SENSOR, DUCT STATIC PRESSURE
GG/HH05, BB/CC09	A192	INVERTER, COMPRESSOR 1
DD/EE09	B1, B2	COMPRESSOR 1, 2
CC06, JJ01	B3	MOTOR, BLOWER
GG02, FF06	B4, B5	MOTOR, OUTDOOR FAN 1, 2
GG10	B10	MOTOR, EXHAUST FAN 1
GG06	B47	MOTOR, COOLING FAN FOR A192
GG09	C6	CAPACITOR, EXHAUST FAN 1
FF07	F10	FUSE, COMPONENT
BB/CC09	FL1	FILTER BOARD
DD/EE09/10	HR1, HR2	HEATER, COMPRESSOR 1, 2
DD/EE05-08	K1, K2	CONTACTOR, COMPRESSOR 1, 2
EE05, GG08	K65	RELAY, EXHAUST FAN 1
AA09, FF05, HH06	K191	RELAY, CRANKCASE HEATER 1
CC05	L14	VALVE, SOLENOID, REHEAT COIL 1, 2
GG03	PT6	PRESSURE TRANSDUCER, EBM MOTOR
FF01	RT6	SENSOR, A55 DISCHARGE (IMC)
CC01	RT17	SENSOR, OUTSIDE AIR TEMP
FF03	RT42, RT43	SENSOR, SUCTION TEMP., COMP 1, 2
CC03	RT44, RT45	SENSOR, LIQUID TEMP., COMP 1, 2
FF02	RT46, RT47	SENSOR, SAT. SUCT TEMP., COMP 1, 2
CC02	RT48, RT49	SENSOR, SAT. LIQUID TEMP., COMP 1, 2
JJ02	RT58	SENSOR 1, REFRIGERANT LEAK DETECTION
BB01/02	S4, S7	LIMIT, HI PRESS. SWITCH, COMP 1, 2
AA01/02	S5	LIMIT, HI TEMP. SWITCH, COMP 1
BB02/03	S87, S88	SWITCH, LOW PRESS., COMP. 1, 2
AA05	T1	TRANSFORMER, CONTROL
BB05	T43	TRANSFORMER, CONTACTOR
DD09	T61	TRANSFORMER, INV INTERNAL POWER
AA08/07	TB13	TERMINAL STRIP, POWER DISTRIBUTION

← DENOTES OPTIONAL COMPONENTS AND WIRING

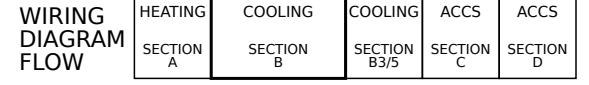


- NOTES**
- 1 ONLY ON UNITS WITH HUMIDITROL OPTION
  - 2 FOR REMOTE LOCATION OF RT6, ADD THE EXTENSION HARNESS
  - 3 MOVE WIRES FROM 240 TO 208 TAP ON TRANSFORMER FOR 208 VOLT APPLICATIONS
  - 4 USED ON VAV UNITS ONLY
  - 5 IAQ SENSORS OPTIONAL

**WARNING**  
DISCONNECT ALL POWER BEFORE SERVICING.  
ELECTRIC SHOCK HAZARD, CAN CAUSE INJURY OR DEATH. UNIT MUST BE GROUNDED IN ACCORDANCE WITH NATIONAL AND LOCAL CODES.  
FOR USE WITH COPPER CONDUCTORS ONLY. REFER TO UNIT RATING PLATE FOR MINIMUM CIRCUIT AMPACITY AND MAXIMUM OVERCURRENT PROTECTION SIZE.  
IF ANY WIRE IN THIS APPLIANCE IS REPLACED, IT MUST BE REPLACED WITH WIRE OF LIKE SIZE, RATING AND INSULATION THICKNESS.

Product: LCM, LGM 092-150U - Y VOLT  
Cooling Diagram with Higher SCCR

Voltage: 208-230/3/60 (Y)  
Supersedes: XXXXXX-XX Form No: 538147-04 Rev: 1



10x12 CUT SIZE

REV	EC NO.	DATE	BY	APVD	REVISION NOTE
---	CN-012081C	04-29-2024	FEP	MCF	ORIGINATED AT PD&R CARROLLTON, TX
001	CN-012081W	09-19-2024	FEP	FXV	A) UPDATED P18 CONNECTORS FROM 3 & 4 TO 1 & 2 B) REMOVED L43 REACTOR

© 2019

538147-04  
01

02

03

04

05

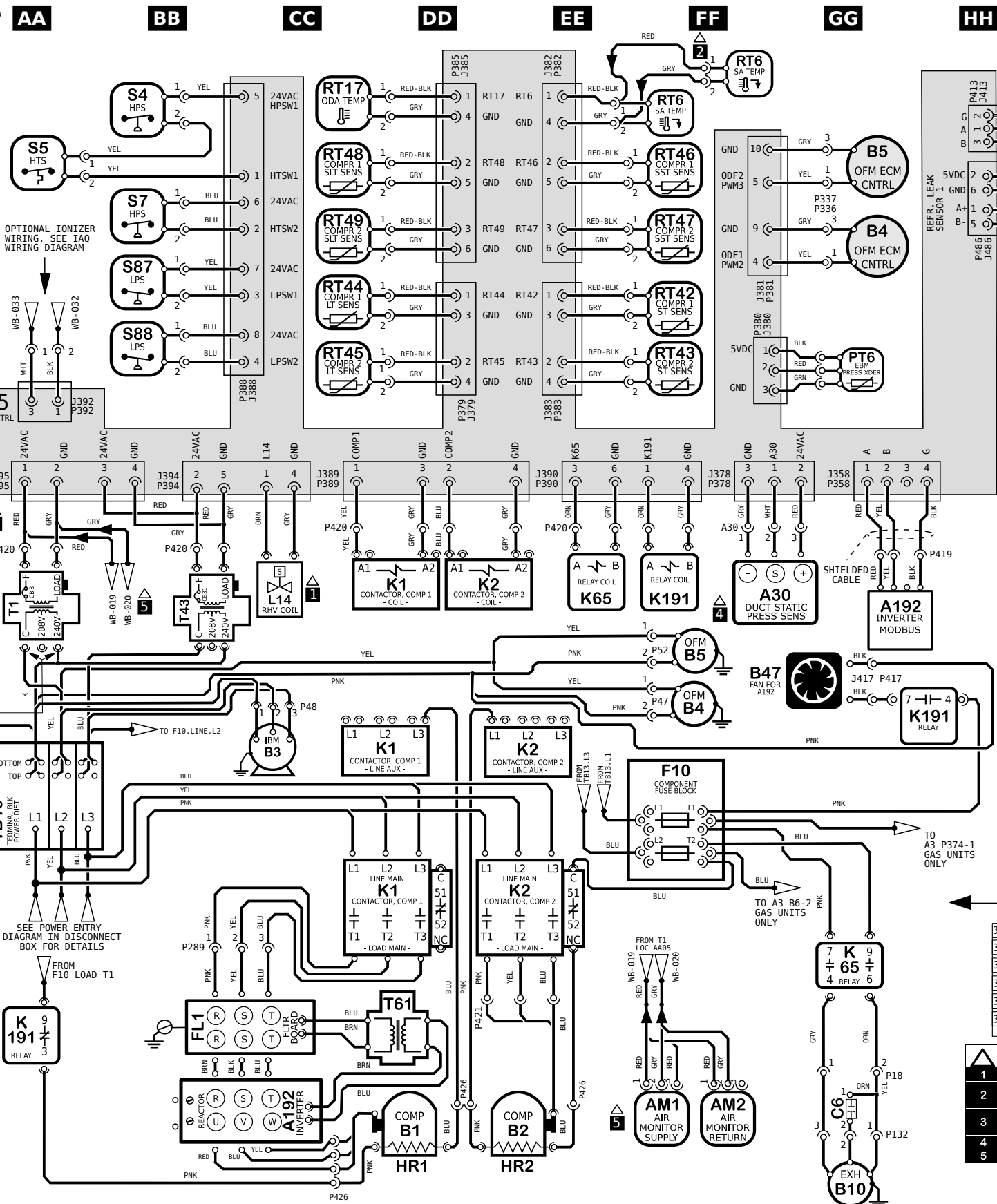
06

07

08

09

10



LOCATION	COMPONENT DESCRIPTION
FF/GG05	A30 SENSOR, DUCT STATIC PRESSURE
GG/HH05, BB/CC09	A192 INVERTER, COMPRESSOR 1
DD/EE09	B1, B2 COMPRESSOR 1, 2
CC06, JJ01	B3 MOTOR, BLOWER
GG02, FF06	B4, B5 MOTOR, OUTDOOR FAN 1, 2
GG10	B10 MOTOR, EXHAUST FAN 1
GG06	B47 MOTOR, COOLING FAN FOR A192
GG09	C6 CAPACITOR, EXHAUST FAN 1
FF07	F10 FUSE, COMPONENT
BB/CC09	FL1 FILTER BOARD
DD/EE09/10	HR1, HR2 HEATER, COMPRESSOR 1, 2
DD/EE05-08	K1, K2 CONTACTOR, COMPRESSOR 1, 2
EE05, GG08	K65 RELAY, EXHAUST FAN 1
AA09, FF05, HH06	K191 RELAY, CRANKCASE HEATER 1
CC05	L14 VALVE, SOLENOID, REHEAT COIL 1, 2
GG03	PT6 PRESSURE TRANSDUCER, EBM MOTOR
FF01	RT6 SENSOR, A55 DISCHARGE (IMC)
CC01	RT17 SENSOR, OUTSIDE AIR TEMP
FF03	RT42, RT43 SENSOR, SUCTION TEMP., COMP 1, 2
CC03	RT44, RT45 SENSOR, LIQUID TEMP., COMP 1, 2
FF02	RT46, RT47 SENSOR, SAT. SUCT TEMP., COMP 1, 2
CC02	RT48, RT49 SENSOR, SAT. LIQUID TEMP., COMP 1, 2
JJ02	RT58 SENSOR 1, REFRIGERANT LEAK DETECTION
BB01/02	S4, S7 LIMIT, HI PRESS. SWITCH, COMP 1, 2
AA01/02	S5 LIMIT, HI TEMP. SWITCH, COMP 1
BB02/03	S87, S88 SWITCH, LOW PRESS., COMP. 1, 2
AA05	T1 TRANSFORMER, CONTROL
BB05	T43 TRANSFORMER, CONTACTOR
DD09	T61 TRANSFORMER, INV INTERNAL POWER
AA08/07	TB13 TERMINAL STRIP, POWER DISTRIBUTION

**WARNING**  
DISCONNECT ALL POWER BEFORE SERVICING.  
ELECTRIC SHOCK HAZARD, CAN CAUSE INJURY OR DEATH. UNIT MUST BE GROUNDED IN ACCORDANCE WITH NATIONAL AND LOCAL CODES.  
FOR USE WITH COPPER CONDUCTORS ONLY. REFER TO UNIT RATING PLATE FOR MINIMUM CIRCUIT AMPACITY AND MAXIMUM OVERCURRENT PROTECTION SIZE.  
IF ANY WIRE IN THIS APPLIANCE IS REPLACED, IT MUST BE REPLACED WITH WIRE OF LIKE SIZE, RATING AND INSULATION THICKNESS.

NOTES

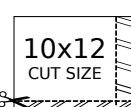
- 1 ONLY ON UNITS WITH HUMIDITROL OPTION
- 2 FOR REMOTE LOCATION OF RT6, ADD THE EXTENSION HARNESS
- 3 MOVE WIRES FROM 240 TO 208 TAP ON TRANSFORMER FOR 208 VOLT APPLICATIONS
- 4 USED ON VAV UNITS ONLY
- 5 IAQ SENSORS OPTIONAL

© 2019

HEATING	COOLING	COOLING	ACCS	ACCS
SECTION A	SECTION B	SECTION B3/5	SECTION C	SECTION D

Product: LCM, LGM 092-150U - Y VOLT  
Cooling Diagram with Higher SCCR

Voltage: 208-230/3/60 (Y)  
Supersedes: XXXXX-XX Form No: 538147-04 Rev: 1



REV	EC NO.	DATE	BY	APVD	REVISION NOTE
---	CN-012081C	04-29-2024	FEP	MCF	ORIGINATED AT PD&R CARROLLTON, TX
001	CN-012081W	09-19-2024	FEP	FXV	A) UPDATED P18 CONNECTORS FROM 3 & 4 TO 1 & 2 B) REMOVED L43 REACTOR