

PACKAGED HEAT PUMP

**LHX**

**XION™ ROOFTOP UNITS**

Standard Efficiency | Lennox® CORE Lite Controller | **R-454B** | 60Hz



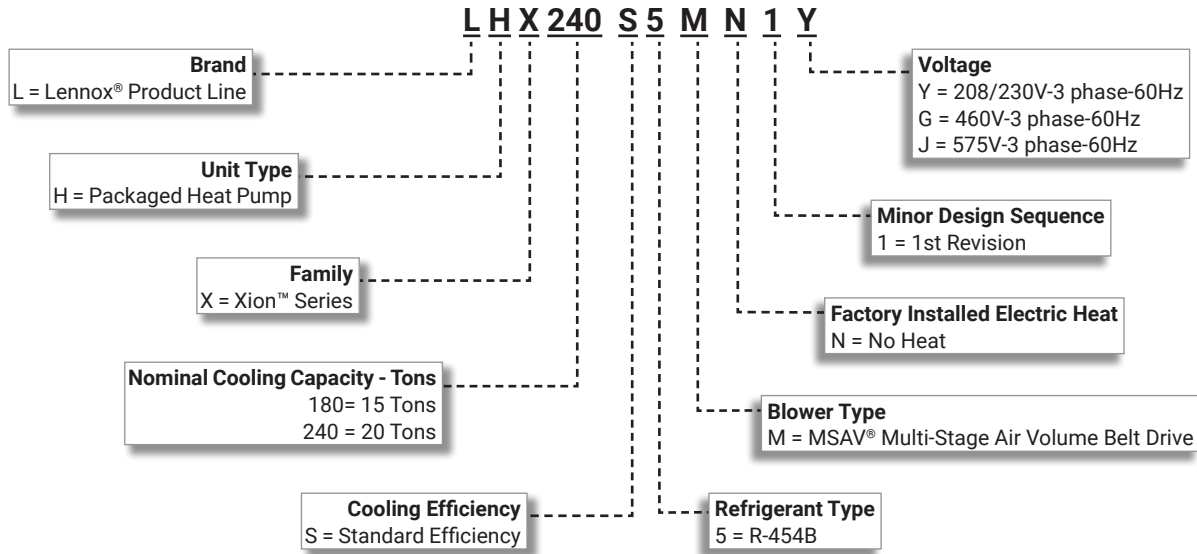
**COMMERCIAL  
PRODUCT SPECIFICATIONS (EHB)**

15 and 20 Tons  
 Net Cooling Capacity - 176,000 to 224,000 Btuh  
 Net Heating Capacity - 172,000 to 224,000 Btuh  
 Optional Electric Heat - 15 to 90 kW

**XION**



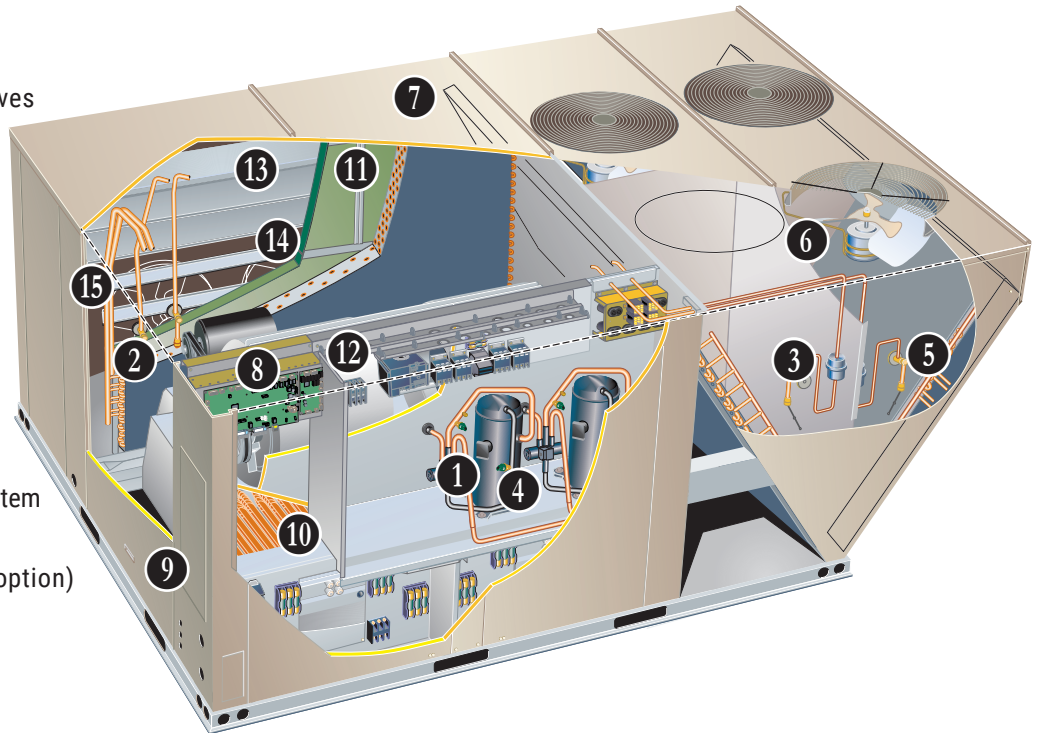
**MODEL NUMBER IDENTIFICATION**



## FEATURE HIGHLIGHTS

Xion™ rooftop units are engineered with the right technologies and options to meet standard efficiency requirements while delivering reliable performance and year-round comfort.

1. Scroll Compressors
2. Check/Thermal Expansion Valves
3. Filter/Driers
4. Reversing Valves
5. Copper Tube Outdoor Coil
6. Outdoor Coil Fan Motors
7. Heavy Gauge Steel Cabinet
8. Supply Air Blower
9. Disconnect Switch (option)
10. Electric Heat (option)
11. Air Filters
12. Lennox® CORE Lite Control System
13. Economizer (option)
14. Barometric Relief Dampers (option)
15. Power Exhaust (option)



## CONTENTS

Approvals And Warranty . . . . .	3
Blower Data . . . . .	23
Cooling/Heating Ratings . . . . .	21
Dimensions . . . . .	31
- Accessories . . . . .	32
- Unit . . . . .	31
Electrical Accessories - Disconnects . . . . .	28
Electrical/Electric Heat Data . . . . .	26
- 15 Ton . . . . .	26
- 20 Ton . . . . .	27
Electric Heat Capacities . . . . .	29
Features And Benefits . . . . .	3
Model Number Identification . . . . .	1
Optional Conventional Temperature Control Systems . . . . .	11
Options / Accessories . . . . .	16
Outdoor Sound Data . . . . .	29
Sequence Of Operation . . . . .	13
Specifications . . . . .	20
Unit Clearances . . . . .	29
Weight Data . . . . .	30

## APPROVALS AND WARRANTY

### APPROVALS

- AHRI Standard 340/360-2023 certified
- ETL listed
- Unit and components ETL, NEC and CEC bonded for grounding to meet safety standards for servicing
- All models are ASHRAE 90.1 energy efficiency compliant and meet or exceed requirements of Section 6.8
- All models meet DOE 2023 energy efficiency standards and UL 60335-2-40 Refrigerant Detector Requirements
- All models have HCAI (formerly OSHPD) OSP and Special Seismic Certification ([Number: OSP-0596](#)), and meet 2021 International Building Code (IBC), 2022 California Building Code (CBC) ASCE 7, and ICC-ES AC156
- All models meet California Code of Regulations, Title 24 and ASHRAE 90.1 Section 6.4.3.10 requirements for staged airflow
- ISO 9001 Registered Manufacturing Quality System

### WARRANTY

- Compressors - Limited five years
- Lennox® CORE Lite Unit Controller - Limited three years
- Variable-Frequency Drive (VFD) - Limited five years
- High Performance Economizers (optional) - Limited five years
- All other covered components - Limited one year

## FEATURES AND BENEFITS

### COOLING / HEATING SYSTEM

- Designed to maximize sensible and latent cooling performance at design conditions
- System can operate from 30°F to 125°F without any additional controls

#### R-454B Refrigerant

- Low GWP (Global Warming Potential)
- Zero ODP (Ozone Depletion Potential)
- Low Toxicity/Lower Flammability - A2L
- Unit is factory pre-charged

#### 1 Scroll Compressors

- Scroll compressors for high performance, reliability and quiet operation
- Resiliently mounted on rubber grommets for quiet operation

#### Compressor Crankcase Heaters

- Protects against refrigerant migration that can occur during low ambient operation or during extended off cycles

#### 2 Check/Thermal Expansion Valves

- Ensures optimal performance throughout the application range

#### 3 Filter/Driers

- High capacity bi-flow filter/drier protects the system from dirt and moisture

#### High Pressure Switches

- Protects the compressor from overload conditions
- Auto-reset

#### Low Pressure Switches

- Protects the compressors from low pressure conditions such as low refrigerant charge or low/no airflow

#### 4 Reversing Valves

- 4-way interchange reversing valve effects a rapid change in direction of refrigerant flow resulting in quick changeover from cooling to heating and vice versa

#### Indoor Coil Freeze Protection

- Protects the indoor coil from damaging ice build-up due to conditions such as low/no airflow, or low refrigerant charge

#### 5 Coil Construction

- Copper tube construction
- Enhanced rippled-edge aluminum fins
- Flared shoulder tubing connections
- Silver soldered construction
- Factory leak tested
- Two independent slanted coils for easy cleaning
- Cross row circuiting of indoor coil with rifled copper tubing optimizes both sensible and latent cooling capacity

#### Antimicrobial Condensate Drain Pan

- Composite pan, sloped to meet drainage requirements of ASHRAE 62.1
- Antimicrobial additive resists growth of mold and mildew on drain pan, which improves indoor air quality and reduces drain line blockage
- Side or bottom drain connections

#### 6 Outdoor Coil Fan Motors

- Thermal overload protected
- Totally enclosed
- Permanently lubricated ball bearings
- Shaft up
- Wire basket mount

## FEATURES AND BENEFITS

### **COOLING / HEATING SYSTEM (continued)**

#### **Outdoor Coil Fans**

- PVC coated fan guards furnished

#### **Required Selections**

#### **Cooling Capacity**

- Specify nominal cooling capacity

#### **Options/Accessories**

#### **Field Installed**

#### **Condensate Drain Trap**

- Available in copper or PVC

#### **Drain Pan Overflow Switch**

- Monitors condensate level in drain pan, shuts down unit if drain becomes clogged

#### **Options/Accessories**

### **LOW GWP REFRIGERANT DETECTION SYSTEM (RDS)**

- Complies with UL 60335-2-40 approved standard
- Required for all systems using R-454B refrigerant
- Factory installed on all units
- Consists of a refrigerant detection sensor(s) and a mitigation control
- Ensures safe operation for systems equipped with R-454B refrigerant
- Sensor(s) monitors indoor coil area for R-454B refrigerant
- If R-454B refrigerant is detected the refrigerant detection system will prevent compressor and heating operation until R-454B refrigerant is no longer detected
- Refrigeration detection system energizes blower if any R-454B refrigerant is detected to mitigate any concentrations of refrigerant from the unit and the system

### **CABINET**

#### **7 Construction**

- Heavy-gauge steel
- Full perimeter heavy-gauge galvanized steel base rail
- Base rails have rigging holes
- Three sides of the base rail have fork slots
- Raised edges around duct and power entry openings in the bottom of the unit for water protection

#### **Airflow Choice**

- Units are shipped in downflow (vertical) return air flow configuration

**NOTE** - Units can be field converted to horizontal air flow with optional Horizontal Return Air Panel Kit and Horizontal Roof Curb.

#### **Power Entry**

- Electrical lines can be brought through the unit base or through horizontal access knock-outs

#### **Exterior Panels**

- Constructed of heavy-gauge, galvanized steel
- Textured pre-paint with polyurethane finish
- Cyclic salt fog and UV exposure up to 1,680 hours per ASTM D5894

#### **Insulation**

- Fully insulated with non-hygroscopic fiberglass insulation (conditioned areas)
- Unit base is fully insulated
- Base insulation serves as an air seal to the roof curb, eliminating the need to add a seal during installation

#### **Access Panels**

- Filter section
- Blower section
- Heating section
- Compressor/controls section

#### **Options/Accessories**

#### **Factory Installed**

#### **Hinged Access Panels**

- Tool-less access
- Filter section
- Blower section
- Heating section
- Compressor/controls section
- Panel seals and quarter-turn latching handles provide a tight air and water seal

#### **Factory or Field Installed**

#### **Combination Coil/Hail Guards**

- Heavy gauge steel frame
- Painted to match cabinet
- Expanded metal mesh protects outdoor coil

#### **Field Installed**

#### **Horizontal Return Air Panel Kit**

- Required for horizontal applications with Horizontal Roof Curb
- Contains panel with return air opening for field replacement of existing unit panel and panel to cover bottom return air opening in unit
- See dimension drawings

## FEATURES AND BENEFITS

### **BLOWER**

A wide selection of supply air blower options are available to meet a variety of airflow requirements

#### **Motor**

- Overload protected
- Ball bearings

#### **8 Supply Air Blower**

- Forward curved blades
- Double inlet
- Blower wheel is statically and dynamically balanced
- Ball bearings
- Adjustable pulley (allows speed change)
- Blower assembly slides out of unit for servicing
- Grease fittings furnished

#### **Blower Proving Switch**

- Monitors blower operation, shuts down unit if blower fails

#### **MSAV® Multi-Stage Air Volume Operation**

- MSAV® Multi-Stage Air Volume stages the amount of airflow according to compressor stages, heating demand, ventilation demand or smoke alarm
- Units utilize a Variable Frequency Drive (VFD) to stage the supply air blower airflow
- VFD alters the frequency and voltage of the power supply to the blower to control blower speed
- The amount of airflow for each stage can be set according to a parameter in the Lennox® CORE Unit Controller
- Unit is shipped from the factory we preset airflow
- VFD has an operational range of -40 to 125°F outdoor air ambient temperature
- Lower operating costs are obtained when the blower is operated on lower speeds.

**NOTE** - Units equipped a Variable Frequency Drive (VFD) are designed to operate on balanced, three-phase power. Operating units on unbalanced three-phase power will reduce the reliability of all electrical components in the unit. Unbalanced power is a result of the power delivery system supplied by the local utility company. Factory-installed inverters are sized to drive blower motors with an equivalent current rating using balanced three-phase power. If unbalanced three-phase power is supplied, the installer must replace the existing factory-installed inverter with an inverter that has a higher current rating to allow for the imbalance. Refer to the installation instructions for additional information and replacement information

#### **Ordering Information**

- Specify motor horsepower and drive kit number when base unit is ordered

### **Required Selections**

- Order blower motor HP and drive kit number required when base unit is ordered
- See Drive Kit Specifications Table

### **Options/Accessories**

#### **Field Installed**

##### **VFD Automatic Bypass Kit**

- Bypass Kit can be used to automatically bypass the VFD and operate the unit in single speed (CAV) blower mode if the inverter needs to be serviced or replaced
- VFD Automatic Bypass Control must be enabled by Config ID on the unit controller

## FEATURES AND BENEFITS

### ELECTRICAL

#### SmartWire™ System

- Keyed and color-coded wiring connectors prevent miswiring
- Wire coloring scheme is standardized across all models
- Each connection is intuitively labeled to make troubleshooting and servicing quick and easy

#### Electrical Plugs

- Positive connection electrical plugs connect common accessories or maintenance parts for easy removal or installation

#### Phase/Voltage Detection

- Monitors power supply to ensure correct phase at unit start-up
- If phase is incorrect, the unit will not state and an alarm code reports to the unit controller
- Prevents unit start-up if the unit is in the incorrect phase; unit start-ups in the wrong phase could lead to issues such as compressors functioning in reverse
- Monitors power supply voltage to ensure proper voltage
- If voltage is not correct (over/under voltage conditions) the unit will not start and an alarm code reports to the unit controller

### Required Selections

#### Voltage Choice

- Specify when ordering base unit

### Options/Accessories

#### Factory or Field Installed

#### 9 Disconnect Switch

- Accessible from outside of unit
- Spring loaded weatherproof cover furnished

#### GFI Service Outlets (2)

- 115V ground fault circuit interrupter (GFCI) type options:
  - Factory installed, non-powered, field wired
  - Field installed, non-powered, field wired

#### Field Installed

#### 10 Electric Heat

- Helix wound nichrome elements
- Individual element limit controls
- Wiring harness
- Unit fuse block
- See Options / Accessories tables for ordering information

#### GFI Weatherproof Cover

- Single-gang cover
- Heavy-duty UV-resistant polycarbonate case construction
- Hinged base cover with gasket

### INDOOR AIR QUALITY

#### 11 Air Filters

- Disposable 2 inch MERV 4 filters furnished as standard

### Options/Accessories

#### Field Installed

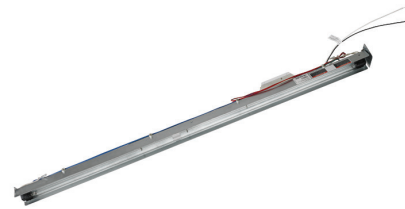
#### Healthy Climate® High Efficiency Air Filter

- Disposable MERV 8, MERV 13, or MERV 16 (Minimum Efficiency Reporting Value based on ASHRAE 52.2) efficiency

#### Replacement Filter Media Kit With Frame

- Replaces existing pleated filter media
- Washable metal mesh screen and metal frame with clip for holding replaceable non-pleated filter

#### Healthy Climate® UVC Germicidal Lamps



- Germicidal lamps emit ultra-violet (UV-C) energy, which has been proven to be effective in reducing microbes such as viruses, bacteria, yeasts, and molds
  - This process either destroys the organism or controls its ability to reproduce
  - UV-C energy greatly reduces the growth and proliferation of mold and other bioaerosols (bacteria and viruses) on illuminated surfaces (particularly coil and drain pan)
  - Field installed in the blower/evaporator coil section
  - Magnetic safety interlock terminates power when access panels are removed
  - All necessary hardware for installation is included
  - Lamps operate on 110/230V-1ph power supply
- NOTE** - Step-down transformer may be ordered separately for 460V and 575V units.
- Approved by ETL

#### Needlepoint Bipolar Ionization (NPBI) Kit

- NPBI technology has been shown to effectively reduce harmful pathogens, pollutants and odors
- Brush-type ionizer introduces a high concentration of both positive and negative ions into the air stream
- These bipolar ions are then dispersed into the occupied space through the duct system proactively reducing the airborne contaminants
- Ions travel within the building air stream and attach to particles, pathogens, and gas molecules, making them larger and easier to capture in the filtration system
- UL 2998 certified for zero ozone emission

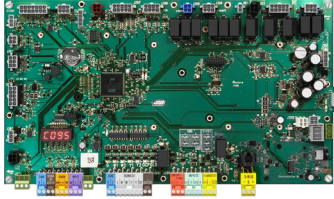
#### Indoor Air Quality (CO<sub>2</sub>) Sensors

- Monitors CO<sub>2</sub> levels
- Reports to the Unit Controller which adjusts economizer dampers as needed



## CONTROL SYSTEM

### LENNOX® CORE LITE CONTROL SYSTEM



**12** The Lennox® CORE Lite Control System is designed to accelerate equipment install and service. Standard with all Enlight™ rooftop units, control system integrates key technologies that lower installation costs, drive system efficiency, and protect your investments.

The Lennox® CORE Lite Unit Controller is a microprocessor-based controller that provides flexible control of all unit functions.

#### CORE Mobile Service App

- Guided Setup with progress indicators, detailed help, and exportable summaries to manage simple, trouble-free setup, reducing commissioning times
- Enhanced Test Functionality provides real-time sensor readings, trending, and reports that enable easy troubleshooting
- Ability to set and configure parameters of the CORE Control System to manage sequence of operation
- Economizer test function ensures economizer is operating correctly



#### Additional Features:

- Built-In 7-Segment Display shows Unit Status and active alarms for easy troubleshooting
- Buttons for test and clearing delays
- SmartWire™ System with keyed and removable screw terminals ensure correct field wiring
- Built-in BACnet MS/TP and IP allow open integration to building management systems.
- Profile setup copies key settings between units with the same configuration to reduce setup time
- USB port allows a technician to download and transfer unit information to help verify service was performed
- USB software updates on the Lennox® CORE Lite Unit Controller enhance functionality without the need to change components

#### Configurable Built-In Functions

- Up to two distinct Cooling Airflows in Thermostat Mode
- Programmable independent heating, ventilation and cooling blower speeds
- Economizer Control Options (See Economizer / Exhaust Air / Outdoor Air sections)
- Exhaust Fan Control Modes for fresh air damper position
- Configurable Morning Warm-up
- Night Setback Mode
- Demand Control Ventilation
- Humiditrol® Operation

#### Component Protection / Unit Safeguards:

- Compressor Time-Off Delay
- Adjustable Blower On/Off Delay
- Return Air Temperature Limit Control
- Safety Switch Input allows Controller to respond to a external safety switch trip
- Service Relay Output
- Thermostat Bounce Delay
- Smoke Alarm Mode has four choices (unit off, positive pressure, negative pressure, purge)
- "Strike Three" Protection
- Gas Valve Time Delay Between First and Second Stage
- Minimum Compressor Run Time

#### Control Methods / Interfaces:

- DDC and 24V Thermostat
- BACnet MS/TP (Field Option)
- Lennox S-BUS
- Zone Temperature Sensor Input
- Dehumidistat and Humidity Sensor Inputs
- Indoor Air Quality Inputs (2)
- Built-in Control Parameter Defaults
- Permanent Diagnostic Code Storage
- Field Adjustable Control Parameters (Over 200 settings)
- Multiple Configurable Digital Inputs
- LED Indicators

**NOTE** - Lennox® CORE Lite Control System features vary with the type of rooftop unit in which the control is installed.

## CONTROL SYSTEM

### LENNOX® CORE LITE CONTROL SYSTEM (continued)

#### Controls Options

##### **Field Installed**

##### Dirty Filter Switch

- Senses static pressure increase and issues alarm if necessary

##### Smoke Detector

- Photoelectric type
- Installed in supply air section, return air section or both sections
- Available with power board and single sensor (supply or return) or power board and two sensors (supply and return)
- Power board located in unit control compartment

##### **Commercial Control Systems**

##### **Field Installed**

##### Interoperability via BACnet® or LonTalk® Protocols

- Communication compatible with third-party automation systems that support the BACnet Application Specific Controller device profile

##### Thermostats and Room Sensors

- Control system and thermostat options, see page 11

## OPTIONS / ACCESSORIES

### **ECONOMIZER**

- Economizer operation is set and controlled by the Lennox® CORE Lite Unit Controller
- Simple plug-in connections from Economizer to unit controller for easy installation
- All Xion™ rooftop units are equipped with factory installed CEC Title 24 approved sensors for outside, return and discharge air temperature monitoring

**NOTE** - Optional sensors may be used instead of unit sensors to determine whether outdoor air is suitable for free cooling. See Options/Accessories table.

#### **Factory or Field Installed**

##### **13 High Performance Economizer**

- Approved for California Title 24 building standards
- Low leakage dampers are Air Movement and Control Association International (AMCA) Class 1A Certified - Maximum 3 CFM per sq. ft. leakage at 1 in. w.g.
- ASHRAE 90.1 and IECC compliant
- Downflow or Horizontal with Outdoor Air Hood
- Outdoor Air Hood with mist elimination is included when Economizer is factory installed and is furnished with Economizer when ordered for field installation

**NOTE** - Downflow or horizontal economizer applications require optional Downflow or Horizontal Barometric Relief Dampers with Exhaust Hood.

- Linked damper action
- High torque 24-volt fully-modulating spring return damper motor
- Return air and outdoor air dampers
- Plug-in connections to unit

**NOTE** - High Performance Economizers are not approved for use with enthalpy controls in Title 24 applications.

**NOTE** - The Free Cooling setpoint for Title 24 applications must be set based on the Climate Zone where the system is installed. See Section 140.4 "Prescriptive Requirements for Space Conditioning Systems" of the California Energy Commission's 2019 Building Energy Efficiency Standards.

**NOTE** - Refer to Installation Instructions for complete setup information.

#### **Differential Sensible Control**

- Factory setting
- Uses outdoor air and return air sensors that are furnished with the unit
- The Lennox® CORE Lite unit controller compares outdoor air temperature with return air
- When the outdoor air is below the configured setpoint and cooler than return air, the controller activates the Economizer



### **ECONOMIZER (continued)**

#### **Factory or Field Installed**

**NOTE** - Differential Sensible Control can be configured in the field to provide Offset Differential Sensible Control or Single Sensible Control.

**NOTE** - In Offset Differential Sensible Control mode, the Economizer is enabled if the temperature differential (offset) between outdoor air and return air reaches the configured setpoint. In Single Sensible Control mode, the Economizer is enabled when outdoor air temperature falls below the configured setpoint.

#### **Single Enthalpy Control (Not for Title 24)**

- Outdoor air enthalpy sensor enables Economizer if the outdoor enthalpy is less than the setpoint of the control

#### **Field Installed**

##### **Differential Enthalpy Control (Not for Title 24)**

- Order two Single Enthalpy Controls
- One is field installed in the return air section
- One is installed in the outdoor air section
- Allows the Economizer control to select between outdoor air or return air, whichever has lower enthalpy

### **EXHAUST**

#### **Field Installed**

##### **14 Downflow Barometric Relief Dampers**

- Allow relief of excess air
- Aluminum blade dampers prevent blow back and outdoor air infiltration during off cycle
- Exhaust hood is factory installed when dampers are factory installed with Economizer
- Exhaust hood is furnished with dampers when ordered for field installation
- Bird screen furnished

##### **15 Power Exhaust Fans**

- Install internal to unit for downflow applications only with Economizer option
- Provides exhaust air pressure relief
- Interlocked to run when supply air blower is operating
- Fans run when outdoor air dampers are 50% open (adjustable)
- Motor is overload protected
- Dual propeller type fans are 20 in. diameter
- Five blades
- Two 1/3 HP motors
- SCCR rated

**NOTE** - Requires Economizer with furnished Outdoor Air Hood and Downflow Barometric Relief Dampers.

**NOTE** - All models are equipped with 2-stage power exhaust fans. Power exhaust operates in 1st stage (one fan) up to 70% of supply air blower speed. Both exhaust fans operate in 2nd stage when supply air blower speed is above 70% (adjustable) of full speed.

##### **Horizontal Barometric Relief Dampers**

- For use when unit is configured for horizontal applications requiring an Economizer
- Allows relief of excess air
- Aluminum blade dampers prevent blow back and outdoor air infiltration during off cycle
- Field installed in return air duct
- Bird screen and hood furnished

## OPTIONS / ACCESSORIES

### **OUTDOOR AIR**

#### **Field Installed**

##### **Motorized Outdoor Air Damper**

- Linked mechanical dampers
- Fully modulating spring return damper motor with plug-in connection
- 0 to 25% (fixed) outdoor air adjustable
- Installs in unit
- Outdoor air hood with bird screen included

##### **Manual Outdoor Air Damper**

- Adjustable slide damper
- Installed in unit
- Outdoor air hood with bird screen included

### **ROOF CURBS**

#### **Field Installed**

- Nailer strip furnished (downflow only)
- Mates to unit
- US National Roofing Contractors Approved
- Shipped knocked down

#### **Downflow**

##### **Hybrid Roof Curbs**

- Interlocking tabs fasten corners together
- No tools required for assembly
- Can also be fastened together with furnished hardware
- Available in 8, 14, 18, and 24 inch heights

##### **Adjustable Pitch Curb**

- Fully adjustable pitch curbs (3/4 in. per foot in any direction) provide a level platform for rooftop units allowing flexible installations on roofs with uneven or sloped angles
- Interlocking tabs fasten corners together
- No tools required for assembly
- Hardware is furnished to connect upper curb with lower curb
- Available in 14 inch height

### **Horizontal**

- Meet National Roofing Code requirements
- Converts unit from downflow to horizontal (side) air flow
- Return air is on unit
- Supply air is on curb
- See dimension drawings
- Available in 26, 30, 37, and 41 inch heights

**NOTE** - Requires Horizontal Return Air Panel Kit.

**NOTE** - Optional Insulation Kit is available to help prevent sweating.

#### **Adaptor Curbs (not shown)**

- Curbs are regionally sourced
- Dimensions vary based upon the source

**NOTE** - Contact your local sales representative for a detailed cut sheet with applicable dimensions.

### **CEILING DIFFUSERS**

#### **Field Installed**

##### **Ceiling Diffusers (Flush or Step-Down)**

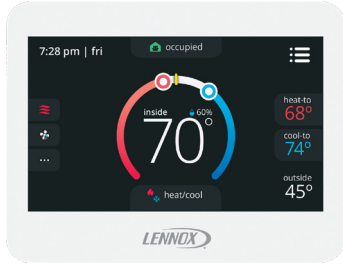
- White powder coat finish on diffuser face and grilles
- Insulated UL listed duct liner
- Diffuser box has collars for duct connection
- Step-down diffusers have double deflection blades
- Flush diffusers have fixed blades
- Provisions for suspending
- Internally sealed to prevent recirculation
- Removable return air grille
- Adapts to T-bar ceiling grids or plaster ceilings

##### **Transitions (Supply and Return)**

- Used with diffusers
- Installs in roof curb
- Galvanized steel construction
- Flanges furnished for duct connection to diffusers
- Fully insulated

## OPTIONAL CONVENTIONAL TEMPERATURE CONTROL SYSTEMS

### CS8500 Commercial 7-Day Programmable Thermostat



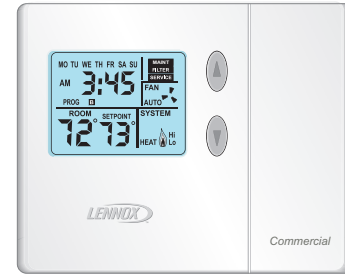
- Fully Communicating Sensor
- Full Color Touchscreen Interface
- Variable Speed System Control (On Compatible Units)
- Up To 4 Heat / 4 Cool
- Built-In Sensors For Temperature, Humidity And Optional CO<sub>2</sub>
- Remote Sensor Options For Occupancy, Temperature
- BACnet Capable Options
- 5-2 or 7-Day Scheduling
- Smooth Setback Recovery
- Heat/Cool Auto-Changeover
- Four-Wire Installation
- FDD, ASHRAE, IECC Compliant

### CS7500 Commercial 7-Day Programmable Thermostat



- Premium Universal Thermostat
- Full Color Touchscreen Interface
- Up To 4 Heat / 3 Cool
- Built-In Sensors For Temperature and Humidity
- Remote Sensors Options For Temperature, Discharge Air, Outdoor Air
- 5-2 or 7-Day Scheduling
- Smooth Setback Recovery
- Heat/Cool Auto-Changeover
- FDD, ASHRAE, IECC Compliant

### CS3000 Commercial 5-2 Day Programmable Thermostat



- Conventional Multi-Stage Thermostat
- Intuitive Display
- Push-Button Operation
- Up To 2 Heat / 2 Cool
- Built-In Temperature Sensor
- Remote Temperature Sensing
- Up to 5-2 Day Scheduling
- Smooth Setback Recovery
- Heat/Cool Auto-changeover

### Wired Temperature/Humidity Room Sensor (Non-Communicating)



- Terminal blocks for wiring connections
- Five-wire sensor connection
- Off-white plastic enclosure
- Non-adjustable
- Relative humidity range: 0 -100%
- +/- 3% Accuracy

## OPTIONAL CONVENTIONAL TEMPERATURE CONTROL SYSTEMS

Description	Order Number
<b>CS8500 Commercial 7 Day Programmable Thermostat</b>	
CS8500 7-Day Thermostat	No CO <sub>2</sub> Sensing <b>24K55</b>
	With CO <sub>2</sub> Sensing <b>24K53</b>
Sensors/Accessories	<sup>1</sup> Remote non-adjustable wall-mount 10k <b>47W37</b>
	<sup>1</sup> Remote non-adjustable wall-mount 11k <b>94L61</b>
<b>Sysbus Network Cable (Yellow) for CS8500 and LCS-5030 Wired Room Sensor</b>	
Twisted pair 100% shielded communication cable, Red and Black	500 ft. box <b>27M19</b>
22 AWG, yellow jacket, rated at 75°C, 300V, Plenum rated	1000 ft. box <b>94L63</b>
Insulation - Low smoke PVC, NEC, CMP	2500 ft. roll <b>68M25</b>
<b>CS7500 Commercial 7-Day Programmable Thermostat</b>	
CS7500 7-Day Thermostat	<b>24K41</b>
Sensors/Accessories	<sup>2</sup> Remote non-adjustable wall-mount 20k <b>47W36</b>
	<sup>2</sup> Remote non-adjustable wall-mount 10k <b>47W37</b>
	Remote non-adjustable discharge air (duct mount) <b>19L22</b>
	Outdoor temperature sensor <b>X2658</b>
<b>CS3000 Commercial 5-2 Day Programmable Thermostat</b>	
CS3000 5-2 Day Thermostat	<b>11Y05</b>
Sensors/Accessories	Remote non-adjustable wall mount 10k averaging <b>47W37</b>
	Thermostat wall mounting plate <b>X2659</b>
<b>Universal Thermostat Guard with Lock (clear)</b>	
	Inside Dimensions (H x W x D) 5-7/8 x 8-3/8 x 3 in. <b>39P21</b>
<b>Temperature/Humidity Room Sensor</b>	
A335MT13AE1 Wired Temperature/Humidity Room Sensor (Non-Communicating)	<b>21W06</b>

<sup>1</sup> Up to nine of the same type remote temperature sensors can be connected in parallel.

<sup>2</sup> Remote wall-mount sensors can be applied in any of the following combinations:  
 One Sensor - (1) 47W36, Two Sensors - (2) 47W37, Three Sensors - (2) 47W36 and (1) 47W37  
 Four Sensors - (4) 47W36, Five Sensors - (3) 47W36 and (2) 47W37

**Objective:** Outline the unit functions as a result of room thermostat or zone sensor demands.

**Given:** When economizer is present, it will function as an integral part of the unit cooling system. When not present, unit will function as if economizer is present but outdoor ambient is high and sensed as not suitable.

**UNIT OPERATION WITH 2-STAGE THERMOSTAT (2 COOL AND 2 HEAT STAGES, Y1, Y2, W1, W2)**

**SUPPLY AIR BLOWER SPEED**

Unit has following supply air blower speed setting:

- Ventilation speed
- Cooling Speed - Low
- Cooling Speed - High
- Heating speed
- Smoke speed (Used only in smoke removal option - not discussed)

**<sup>1</sup> Unit Features An Economizer And Outdoor Air Is Suitable**

**COOLING**

**Y1 Demand:**

All compressors are off, supply air blower is on low cooling speed to minimize blower power consumption, economizer modulates (minimum to maximum open position) to maintain 55°F supply air temperature (default unit controller setting).

**Y2 Demand:**

All compressors are off, supply air blower is on high cooling speed providing higher cooling capacity, and economizer modulates to maintain 55°F supply air temperature. If economizer stays at maximum open for 3 minutes, compressor 1 is energized while supply air blower stays on high cooling speed providing maximum cooling capacity.

*<sup>1</sup> Outdoor air suitability is determined by the energy state of outdoor ambient (enthalpy or sensible) and its ability to achieve the desired free cooling effects. Outdoor air suitability can also be determined by a third party controller and provided to the rooftop unit via a network connection.*

**Unit Does Not Feature An Economizer Or Outdoor Air Is Not Suitable**

**Cooling - Thermostat Mode (Y1, Y2)**

**Y1 Demand:**

Compressor 1 operates, and supply air blower operates at low cooling speed.

**Y2 Demand:**

All compressors operate and supply air blower operates at high cooling speed.

**UNIT OPERATION WITH 3-STAGE THERMOSTAT OR ZONE SENSOR (3 COOL AND 2 HEAT STAGES, Y1, Y2, Y3 AND W1, W2)****SUPPLY AIR BLOWER SPEED**

Unit has following supply air blower speed setting:

- Ventilation speed
- Cooling Speed - Low
- Cooling Speed - High
- Heating speed
- Smoke speed (Used only in smoke removal option - not discussed)

**<sup>1</sup> Unit Features An Economizer And Outdoor Air Is Suitable****COOLING****Y1 Demand:**

All compressors are off, supply air blower is on low cooling speed to minimize blower power consumption, economizer modulates (minimum to maximum open position) to maintain 55°F supply air temperature (default unit controller setting).

**Y2 Demand:**

All compressors are off, supply air blower is on high cooling speed providing higher cooling capacity, and economizer modulates to maintain 55°F supply air temperature. If economizer stays at maximum open for 3 minutes, compressor 1 is energized while supply air blower stays on high cooling speed. After compressor 1 is energized the economizer stays at maximum open.

**Y3 Demand:**

Compressors 1 and 2 are energized while supply air blower stays on high cooling speed.

<sup>1</sup> Outdoor air suitability is determined by the energy state of outdoor ambient (enthalpy or sensible) and its ability to achieve the desired free cooling effects. Outdoor air suitability can also be determined by a third party controller and provided to the rooftop unit via a network connection.

**Unit Does Not Feature An Economizer or Outdoor Air Is Not Suitable****Cooling - Thermostat or Zone Sensor Mode (Y1, Y2, Y3)****Y1 Demand:**

Compressor 1 is energized, and supply air blower operates at low cooling speed.

**Y2/Y3 Demand:**

All compressors are energized and supply air blower operates at high cooling speed.

**DEFROST**

Coil Sensors (RT48 - Circuit 1 and RT49 - Circuit 2) and Ambient Sensor (RT17) provides input to the Lennox® CORE Lite Unit Controller to initiate a defrost cycle if needed.

Coil sensors are located on a return bend for each circuit on the front of the outdoor coil.

Ambient sensor is located on the inside of the corner mullion on the back of the outdoor coil section.

If a coil sensor measures a temperature below 35°F during mechanical heating mode, defrost logic is enabled. The system will constantly monitor coil and ambient temperatures and will initiate a defrost cycle if the controller determines that the target temperature difference between the coil and ambient temperature has been satisfied, or when the accumulated run time with coil temperature below 35°F reaches 6 hours.

Defrost will not be activated on more than one circuit at the time.

If the ambient sensor fails, or the circuit is in uncalibrated state, the controller will switch to time/temperature defrost operation.

If the unit is equipped with Electric heat, then the modules are energized during a defrost cycle to maintain discharge air temperature.



**HEATING****Thermostat or Zone Sensor****W1/H1 Demand:**

A first-stage heating demand (W1/H1) will energize compressors 1 and 2 and the outdoor fans.

*NOTE – L1 & L2 reversing valves are de-energized in the heating mode.*

**Units With Optional Electric Heat:**

An increased heating demand (W2/H2) will energize electric heat.

*NOTE – Compressors 1 and 2 stay energized.*

**Units With Optional 2 Stage Electric Heat and Zone Sensor mode:**

An increased heating demand (H2) will energize 1st stage of electric heat.

An increased heating demand (H3) will energize 2nd stage of electric heat.

*NOTE – Compressors 1 and 2 stay energized.*

All Electric heat modules are energized during the defrost cycle (W1) to temper discharge air temperature.

**ACCESSORIES****Modulating Outdoor Air Damper**

The minimum damper position for “occupied low blower” and “occupied high blower” is adjusted during unit setup to provide minimum fresh air requirements per ASHRAE 62.1 at the corresponding supply air blower speeds.

- When supply air blower is off or the unit is in unoccupied mode, the outdoor air damper is closed.
- When unit is in occupied mode and supply air blower is operating at a speed below the “midpoint” blower speed, the outdoor air damper is at minimum “low blower” position.
- When unit is in occupied mode and supply air blower is operating at a speed equal to or above the “midpoint” blower speed, the outdoor air damper is at minimum “high blower” position.

*NOTE - The “midpoint” blower speed is an average of the minimum and maximum blower speed (minimum speed + maximum speed divided by 2).*

**Power Exhaust Operation**

*NOTE - POWER EXHAUST OPERATION IS THE SAME FOR ALL CONTROL OPTIONS*

MSAV® models are equipped with 2-stage power exhaust fans. Power exhaust fans operate when economizer outdoor air dampers are 50% open (adjustable). Power exhaust operates in 1st stage (one fan) up to 70% of supply air blower speed. 2nd stage power exhaust fans (both fans) operate when supply air blower speed is above 70% (adjustable) of full speed.

## OPTIONS / ACCESSORIES

Item Description	Order Number	Size		
		180	240	
<b>COOLING SYSTEM</b>				
Condensate Drain Trap	PVC	<b>22H54</b>	X	X
	Copper	<b>76W27</b>	X	X
Drain Pan Overflow Switch		<b>21Z07</b>	X	X
<b>BLOWER - SUPPLY AIR</b>				
Blower Options	MSAV Multi-Stage Air Volume	Factory	O	O
Motors - MSAV® Multi-Stage Air Volume	Belt Drive - 3 HP	Factory	O	
	Belt Drive - 5 HP	Factory	O	O
	Belt Drive - 7.5 HP	Factory	O	O
	Belt Drive - 10 HP	Factory		O
VFD Manual Bypass Kit (for MSAV® equipped units)	3, 5, 7.5 HP VFD Bypass - No Overload	<b>37G64</b>	X	
	10 HP - With Overload	<b>37G65</b>	X	
Drive Kits See Blower Data Tables for usage and selection	Kit #1 535-725 rpm	Factory	O	
	Kit #2 710-965 rpm	Factory	O	
	Kit #3 685-856 rpm	Factory	O	O
	Kit #4 850-1045 rpm	Factory	O	O
	Kit #5 945-1185 rpm	Factory	O	O
	Kit #6 850-1045 rpm	Factory	O	O
	Kit #7 945-1185 rpm	Factory	O	O
	Kit #8 1045-1285 rpm	Factory	O	O
	Kit #10 1045-1285 rpm	Factory		O
	Kit #11 1135-1330 rpm	Factory		O
	<b>CABINET</b>			
Combination Coil/Hail Guards		<b>23U71</b>	OX	OX
Hinged Access Panels		Factory	O	O
<b>CONTROLS</b>				
<b>NOTE - Also see Conventional Thermostat Control Systems on pagepage 11 for Additional Options.</b>				
BACnet® MS/TP Module		<b>38B35</b>	X	X
Dirty Filter Switch		<b>53W68</b>	X	X
Smoke Detector - Supply or Return (Power board and one sensor)		<b>37G73</b>	X	X
Smoke Detector - Supply and Return (Power board and two sensors)		<b>37G74</b>	X	X

NOTE - Order numbers shown are for ordering field installed accessories.

OX - Configure To Order (Factory Installed) or Field Installed

O = Configure To Order (Factory Installed)

X = Field Installed

## OPTIONS / ACCESSORIES

Item Description	Order Number	Size		
		180	240	
<b>INDOOR AIR QUALITY</b>				
<b>Air Filters</b>				
Healthy Climate® High Efficiency Air Filters 24 x 24 x 2 (Order 6 per unit)	MERV 8	<b>54W67</b>	X	X
	MERV 13	<b>52W40</b>	X	X
	MERV 16	<b>21U42</b>	X	X
Replacement Media Filter With Metal Mesh Frame (includes non-pleated filter media)		<b>44N61</b>	X	X
<b>Indoor Air Quality (CO<sub>2</sub>) Sensors</b>				
Sensor - Wall-mount, off-white plastic cover with LCD display		<b>24C58</b>	X	X
Sensor - Wall-mount, off-white plastic cover, no display		<b>23V86</b>	X	X
Sensor - Black plastic case, LCD display, rated for plenum mounting		<b>87N52</b>	X	X
Sensor - Black plastic case, no display, rated for plenum mounting		<b>23V87</b>	X	X
CO <sub>2</sub> Sensor Duct Mounting Kit - for downflow applications		<b>23Y47</b>	X	X
Aspiration Box - for duct mounting non-plenum rated CO <sub>2</sub> sensors ( <b>24C58</b> )		<b>90N43</b>	X	X
<b>Needlepoint Bipolar Ionization (NPBI)</b>				
Needlepoint Bipolar Ionization Kits		<b>21U37</b>	X	
		<b>21U38</b>		X
<b>UVC Germicidal Light Kit</b>				
<sup>1</sup> Healthy Climate® UVC Light Kit (110/230v-1ph)		<b>21A94</b>	X	X
Step-Down Transformers	460V primary, 230V secondary	<b>10H20</b>	X	X
	575V primary, 230V secondary	<b>10H21</b>	X	X
<b>ELECTRICAL</b>				
Voltage 60 Hz	208/230V - 3 phase	Factory	O	O
	460V - 3 phase	Factory	O	O
	575V - 3 phase	Factory	O	O
Disconnect Switch (see Electric Heat Tables for usage)	80 amp	<b>54W85</b>	OX	OX
	150 amp	<b>54W86</b>	OX	OX
	250 amp	<b>54W87</b>	OX	OX
GFI Service Outlets	15 amp non-powered, field-wired (208/230V, 460V only)	<b>74M70</b>	OX	OX
	<sup>1</sup> 20 amp non-powered, field-wired (208/230V, 460V, 575V)	<b>67E01</b>	X	X
	<sup>2</sup> 20 amp non-powered, field-wired (575V)	Factory	O	O
Weatherproof Cover for GFI		<b>10C89</b>	X	X
<b>ELECTRIC HEAT</b>				
15 kW	208/230V-3ph	<b>30U62</b>	X	X
	460V-3ph	<b>30U63</b>	X	X
	575V-3ph	<b>30U64</b>	X	X
30 kW	208/230V-3ph	<b>30U68</b>	X	X
	460V-3ph	<b>30U69</b>	X	X
	575V-3ph	<b>30U70</b>	X	X
45 kW	208/230V-3ph	<b>30U74</b>	X	X
	460V-3ph	<b>30U75</b>	X	X
	575V-3ph	<b>30U76</b>	X	X
60 kW	208/230V-3ph	<b>30U80</b>	X	X
	460V-3ph	<b>30U81</b>	X	X
	575V-3ph	<b>30U82</b>	X	X
90 kW	208/230V-3ph	<b>30U83</b>		X
	460V-3ph	<b>30U84</b>		X
	575V-3ph	<b>30U85</b>		X

<sup>1</sup> 1 Lamps operate on 110-230V single-phase power supply. Step-down transformer may be ordered separately for 460V and 575V units. Alternately, 110V power supply may be used to directly power the UVC ballast(s).

<sup>2</sup> Canada requires a minimum 20 amp circuit. Select 20 amp, non-powered, field wired GFI.

NOTE - Order numbers shown are for ordering field installed accessories.

OX - Configure To Order (Factory Installed) or Field Installed

O = Configure To Order (Factory Installed)

X = Field Installed

## OPTIONS / ACCESSORIES

Item Description	Order Number	Size	
		180	240
<b>ECONOMIZER</b>			
<b>High Performance Economizer (Approved for California Title 24 Building Standards AMCA Class 1A Certified)</b>			
High Performance Economizer (Downflow or Horizontal) Includes Economizer Dampers with Outdoor Air Hood Downflow Applications - Use furnished Outdoor Air Hood - Order Downflow Barometric Relief Dampers with Exhaust Hood separately Horizontal Applications - Use furnished Outdoor Air Hood - Order Horizontal Barometric Relief Dampers with Exhaust Hood separately	22J18	OX	OX
<b>Economizer Controls</b>			
Differential Enthalpy (Not for Title 24)	Order 2 21Z09	X	X
Sensible Control	Sensor is Furnished Factory	O	O
Single Enthalpy (Not for Title 24)	21Z09	O	O
<b>Barometric Relief Dampers With Exhaust Hood</b>			
Downflow Barometric Relief Dampers	54W78	OX	OX
Horizontal Barometric Relief Dampers	16K99	X	X
<b>OUTDOOR AIR</b>			
<b>Outdoor Air Dampers With Outdoor Air Hood</b>			
Motorized	22J27	X	X
Manual	13U05	X	X
<b><sup>2</sup> POWER EXHAUST (DOWNFLOW APPLICATIONS ONLY)</b>			
Standard Static, SCCR Rated	208/230V 22H90	X	X
	460V 22H91	X	X
	575V 22V34	X	X

<sup>3</sup> Field installed Power Exhaust requires Economizer with Outdoor Air Hood and Downflow Barometric Relief Dampers with Exhaust Hood. Must be ordered separately.

NOTE - Order numbers shown are for ordering field installed accessories.

OX - Configure To Order (Factory Installed) or Field Installed

O = Configure To Order (Factory Installed)

X = Field Installed

## OPTIONS / ACCESSORIES

Item Description	Order Number	Size	
		180	240
<b>ROOF CURBS</b>			
<b>Hybrid Roof Curbs, Downflow</b>			
8 in. height	11F58	X	X
14 in. height	11F59	X	X
18 in. height	11F60	X	X
24 in. height	11F61	X	X
<b>Adjustable Pitch Curb</b>			
14 in. height	43W26	X	X
<b>Standard Roof Curbs, Horizontal - Requires Horizontal Return Air Panel Kit</b>			
26 in. height - slab applications	11T89	X	X
37 in. height - rooftop applications	11T96	X	X
<b>Insulation Kit For Standard Horizontal Curbs</b>			
For 26 in. Curb	73K32	X	X
For 37 in. Curb	73K34	X	X
<b>Horizontal Return Air Panel Kit</b>			
Required for Horizontal Applications with Roof Curb	87M00	X	X
<b>CEILING DIFFUSERS</b>			
Step-Down - Order one	RTD11-185S	13K63	X
	RTD11-275S	13K64	X
Flush - Order one	FD11-185S	13K58	X
	FD11-275S	13K59	X
Transitions (Supply and Return) - Order one	C1DIFF33C-1	12X68	X
	C1DIFF34C-1	12X70	X

NOTE - Order numbers shown are for ordering field installed accessories.

OX - Configure To Order (Factory Installed) or Field Installed

O = Configure To Order (Factory Installed)

X = Field Installed

SPECIFICATIONS			
Model		LHX180S5M	LHX240S5M
<b>Nominal Tonnage</b>		15 Ton	20 Ton
<b>Efficiency Type</b>		Standard	Standard
<b>Blower Type</b>		MSAV® Multi-Stage Air Volume	MSAV® Multi-Stage Air Volume
<b>Cooling Performance</b>	Gross Cooling Capacity (Btuh)	181,000	232,000
	<sup>1</sup> Net Cooling Capacity (Btuh)	176,000	224,000
	<sup>1</sup> AHRI Rated Air Flow (cfm)	5500	7000
	<sup>1</sup> IEER (Btuh/Watt)	13.5	13.5
	<sup>1</sup> EER (Btuh/Watt)	10.6	10.6
	Total Unit Power (kW)	16.6	21.1
<b>Heating Performance</b>	<sup>1</sup> Total High Heating Capacity (Btuh)	172,000	224,000
	<sup>1</sup> COP	3.30	3.30
	Total Unit Power (kW)	15.3	19.9
	<sup>1</sup> Total Low Heating Capacity (Btuh)	98,000	124,000
	<sup>1</sup> COP	2.1	2.1
	Total Unit Power (kW)	13.7	17.3
<b>Sound Rating Number</b>	dBA	93	93
<b>Refrigerant Charge</b>	Refrigerant Type	R-454B	R-454B
	Circuit 1	22 lbs. 8 oz.	22 lbs. 0 oz.
	Circuit 2	20 lbs. 3 oz.	21 lbs. 8 oz.
<b>Electric Heat Available, see page 17</b>		15-30-45-60 kW	15-30-45-60-90 kW
<b>Compressor Type (number)</b>		Scroll (2)	Scroll (2)
<b>Outdoor Coils</b>	Net face area - ft. <sup>2</sup> (total)	55.1	55.1
	Rows	2	2
	Fins - in.	20	20
<b>Outdoor Coil Fans</b>	Motor HP (number and type)	1/3 (4 PSC)	1/3 (4 PSC)
	Rpm	1075	1075
	Watts	1750	1750
	Diameter - (No.) in.	(4) 24	(4) 24
	Blades	3	3
	Total Air volume - cfm	16,000	16,000
<b>Indoor Coils</b>	Net face area - ft. <sup>2</sup> (total)	21.4	21.4
	Tube diameter - in.	3/8	3/8
	Rows	3	4
	Fins - in.	14	14
	Condensate drain size (NPT) - in.	(1) 1 in.	(1) 1 in.
Expansion device type		Balanced Port Thermostatic Expansion Valve	
<sup>2</sup> <b>Indoor Blower and Drive Selection</b>	Nominal motor HP	3, 5, 7.5	5, 7.5, 10
	Maximum usable motor HP (US)	3.45, 5.75, 8.62	5.75, 8.63, 11.5
	Motor - Drive kit number	3 HP Kit 1 535-725 rpm Kit 2 710-965 rpm	5 HP Kit 3 685-856 rpm Kit 4 850-1045 rpm Kit 5 945-1185 rpm
		5 HP Kit 3 685-856 rpm Kit 4 850-1045 rpm Kit 5 945-1185 rpm	7.5 HP Kit 6 850-1045 rpm Kit 7 945-1185 rpm Kit 8 1045-1285 rpm
		7.5 HP Kit 6 850-1045 rpm Kit 7 945-1185 rpm Kit 8 1045-1285 rpm	10 HP Kit 7 945-1185 rpm Kit 10 1045-1285 rpm Kit 11 1135-1330 rpm
Wheel (Number) diameter x width - in.		(2) 15 x 15	
<b>Filters</b>	Type of filter	MERV 4, Disposable	
	Number and size - in.	(6) 24 x 24 x 2	
<b>Line voltage data (Volts-Phase-Hz)</b>		208/230-3-60 460-3-60 575-3-60	

NOTE - Gross cooling capacity includes evaporator blower motor heat deduction. Net cooling capacity does not include evaporator blower motor heat deduction.

<sup>1</sup> AHRI Certified to AHRI Standard 340/360:

**Cooling Ratings** - 95°F outdoor air temperature and 80°F db/67°F wb entering indoor coil air.

**High Temperature Heating Ratings** - 47°F db/43°F wb outdoor air temperature and 70°F entering indoor coil air.

**Low Temperature Heating Ratings** - 17°F db/15°F wb outdoor air temperature and 70°F entering indoor coil air.

<sup>2</sup> Using total air volume and system static pressure requirements determine from blower performance tables rpm and motor output required. Maximum usable output of motors furnished are shown. In Canada, nominal motor output is also maximum usable motor output. If motors of comparable output are used, be sure to keep within the service factor limitations outlined on the motor nameplate.

NOTE – Motor service factor limit - 1.0.



## COOLING/HEATING RATINGS

NOTE – For Temperatures and Capacities not shown in tables, see bulletin – Cooling Unit Rating Table Correction Factor Data in Miscellaneous Engineering Data section.

### 15 TON - COOLING LHX180S5M (1 COMPRESSOR - PART LOAD)

Entering Wet Bulb Temperature	Total Air Volume cfm	Outdoor Air Temperature Entering Outdoor Coil																							
		65°F						75°F						85°F						95°F					
		Total Cool Cap.	Comp. Motor Input	Sensible To Total Ratio (S/T) Dry Bulb			Total Cool Cap.	Comp. Motor Input	Sensible To Total Ratio (S/T) Dry Bulb			Total Cool Cap.	Comp. Motor Input	Sensible To Total Ratio (S/T) Dry Bulb			Total Cool Cap.	Comp. Motor Input	Sensible To Total Ratio (S/T) Dry Bulb						
				75°F	80°F	85°F			75°F	80°F	85°F			75°F	80°F	85°F			75°F	80°F	85°F				
63°F	3500	97.3	3.84	0.83	0.96	1	91.9	4.46	0.85	0.97	1	86.1	5.13	0.87	0.98	1	79.5	5.84	0.89	0.99	1				
	4000	100.4	3.83	0.87	0.98	1	94.8	4.45	0.89	0.99	1	88.9	5.13	0.91	0.99	1	82	5.85	0.93	1	1				
	4500	103	3.82	0.9	0.99	1	97.3	4.45	0.92	0.99	1	90.7	5.13	0.93	1	1	84.3	5.86	0.94	1	1				
67°F	3500	103.6	3.82	0.6	0.8	0.95	98.1	4.45	0.6	0.82	0.96	91.5	5.13	0.6	0.84	0.97	85.5	5.87	0.6	0.86	0.98				
	4000	106.6	3.81	0.62	0.84	0.97	100.9	4.45	0.63	0.86	0.98	93.9	5.13	0.63	0.89	0.98	87.5	5.87	0.64	0.92	0.99				
	4500	109.1	3.8	0.65	0.87	0.98	102.4	4.45	0.66	0.91	0.99	96.7	5.13	0.66	0.92	1	89.3	5.88	0.67	0.94	1				
71°F	3500	110.5	3.8	0.39	0.58	0.78	104.1	4.45	0.38	0.59	0.79	98.4	5.14	0.37	0.59	0.82	91.3	5.88	0.35	0.59	0.83				
	4000	113.4	3.79	0.4	0.61	0.81	106.9	4.45	0.39	0.62	0.83	100.4	5.14	0.37	0.62	0.86	94.1	5.89	0.36	0.63	0.89				
	4500	116	3.78	0.4	0.62	0.85	109	4.44	0.4	0.65	0.88	102.9	5.14	0.38	0.65	0.91	95.9	5.88	0.37	0.66	0.93				

### 15 TON - COOLING LHX180S5M (2 COMPRESSORS - FULL LOAD)

Entering Wet Bulb Temperature	Total Air Volume cfm	Outdoor Air Temperature Entering Outdoor Coil																							
		85°F						95°F						105°F						115°F					
		Total Cool Cap.	Comp. Motor Input	Sensible To Total Ratio (S/T) Dry Bulb			Total Cool Cap.	Comp. Motor Input	Sensible To Total Ratio (S/T) Dry Bulb			Total Cool Cap.	Comp. Motor Input	Sensible To Total Ratio (S/T) Dry Bulb			Total Cool Cap.	Comp. Motor Input	Sensible To Total Ratio (S/T) Dry Bulb						
				75°F	80°F	85°F			75°F	80°F	85°F			75°F	80°F	85°F			75°F	80°F	85°F				
63°F	4800	175.9	10.67	0.7	0.84	0.96	163.9	12.12	0.7	0.86	0.98	150.5	13.68	0.71	0.88	0.99	136.2	15.4	0.72	0.9	1				
	6000	188.2	10.7	0.75	0.9	1	174.8	12.17	0.76	0.93	1	160.3	13.75	0.77	0.95	1	146.4	15.49	0.79	0.98	1				
	7200	196.2	10.72	0.8	0.96	1	183.6	12.2	0.81	0.98	1	169.8	13.81	0.83	0.99	1	155.8	15.56	0.86	1	1				
67°F	4800	188.9	10.7	0.53	0.67	0.81	175.7	12.17	0.52	0.68	0.82	161.7	13.75	0.52	0.69	0.84	147.5	15.49	0.53	0.7	0.87				
	6000	199.2	10.73	0.56	0.73	0.88	186.1	12.2	0.56	0.74	0.9	171.6	13.82	0.57	0.76	0.92	157	15.56	0.57	0.78	0.95				
	7200	209.3	10.76	0.6	0.78	0.93	194.5	12.25	0.6	0.8	0.96	179.8	13.87	0.61	0.82	0.97	163.2	15.61	0.62	0.84	0.99				
71°F	4800	202.7	10.74	0.37	0.52	0.65	190	12.22	0.36	0.52	0.66	175.6	13.84	0.35	0.52	0.67	161.2	15.59	0.34	0.52	0.69				
	6000	215.4	10.78	0.39	0.56	0.71	200.6	12.27	0.39	0.56	0.72	185.1	13.9	0.39	0.57	0.74	169.7	15.65	0.37	0.57	0.76				
	7200	223.5	10.79	0.41	0.59	0.76	208.4	12.3	0.4	0.6	0.78	192	13.93	0.41	0.62	0.8	175.8	15.7	0.4	0.62	0.82				

### 15 TON - HEATING LHX180S5M

Indoor Coil Air Volume 70°F Dry Bulb cfm	Air Temperature Entering Outdoor Coil									
	65°F		45°F		25°F		5°F		-15°F	
	Total Heating Capacity	Comp. Motor Input	Total Heating Capacity	Comp. Motor Input	Total Heating Capacity	Comp. Motor Input	Total Heating Capacity	Comp. Motor Input	Total Heating Capacity	Comp. Motor Input
4800	229.3	13.26	171.9	11.50	117.5	10.06	80.9	9.01	52.1	8.17
6000	234.4	12.16	176.0	10.76	121.0	9.59	83.1	8.66	54.1	7.94
7200	238.6	11.50	179.9	10.33	124.7	9.31	86.0	8.46	56.6	7.80

## COOLING/HEATING RATINGS

NOTE – For Temperatures and Capacities not shown in tables, see bulletin – Cooling Unit Rating Table Correction Factor Data in Miscellaneous Engineering Data section.

### 20 TON - COOLING LHX240S5M (1 COMPRESSOR - PART LOAD)

Entering Wet Bulb Temperature	Total Air Volume	Outdoor Air Temperature Entering Outdoor Coil																			
		65°F					75°F					85°F					95°F				
		Total Cool Cap.	Comp. Motor Input	Sensible To Total Ratio (S/T)			Total Cool Cap.	Comp. Motor Input	Sensible To Total Ratio (S/T)			Total Cool Cap.	Comp. Motor Input	Sensible To Total Ratio (S/T)			Total Cool Cap.	Comp. Motor Input	Sensible To Total Ratio (S/T)		
				Dry Bulb					Dry Bulb					Dry Bulb					Dry Bulb		
cfm	kBtuh	kW	75°F	80°F	85°F	kBtuh	kW	75°F	80°F	85°F	kBtuh	kW	75°F	80°F	85°F	kBtuh	kW	75°F	80°F	85°F	
63°F	4500	128.7	5.69	0.82	0.96	1	123.8	6.56	0.84	0.97	1	118	7.48	0.86	0.98	1	111	8.46	0.88	0.99	1
	5500	134.3	5.7	0.88	0.98	1	128	6.58	0.9	0.99	1	121.9	7.51	0.93	0.99	1	115.4	8.49	0.94	1	1
	6500	138.7	5.7	0.93	0.99	1	131.9	6.6	0.94	1	1	125.8	7.54	0.95	1	1	119.3	8.53	0.96	1	1
67°F	4500	136	5.7	0.6	0.79	0.95	129.7	6.59	0.6	0.81	0.96	123.5	7.52	0.61	0.83	0.97	117.7	8.51	0.62	0.85	0.98
	5500	140.6	5.7	0.62	0.85	0.97	135.2	6.61	0.63	0.87	0.98	128.7	7.55	0.65	0.9	0.99	122	8.55	0.66	0.93	1
	6500	144.6	5.71	0.66	0.9	0.99	139.1	6.63	0.67	0.93	0.99	132.5	7.58	0.69	0.94	1	124.4	8.56	0.71	0.96	1
71°F	4500	143.2	5.71	0.38	0.57	0.76	137.8	6.62	0.38	0.58	0.77	131.5	7.57	0.38	0.59	0.8	124.9	8.57	0.38	0.6	0.82
	5500	148.2	5.71	0.39	0.61	0.82	142.8	6.65	0.39	0.62	0.85	135.3	7.6	0.39	0.64	0.87	128.6	8.6	0.39	0.65	0.9
	6500	152.4	5.72	0.4	0.64	0.88	145.5	6.66	0.4	0.66	0.91	139.4	7.63	0.41	0.68	0.93	131	8.62	0.41	0.7	0.95

### 20 TON - COOLING LHX240S5M (2 COMPRESSORS - FULL LOAD)

Entering Wet Bulb Temperature	Total Air Volume	Outdoor Air Temperature Entering Outdoor Coil																			
		85°F					95°F					105°F					115°F				
		Total Cool Cap.	Comp. Motor Input	Sensible To Total Ratio (S/T)			Total Cool Cap.	Comp. Motor Input	Sensible To Total Ratio (S/T)			Total Cool Cap.	Comp. Motor Input	Sensible To Total Ratio (S/T)			Total Cool Cap.	Comp. Motor Input	Sensible To Total Ratio (S/T)		
				Dry Bulb					Dry Bulb					Dry Bulb					Dry Bulb		
cfm	kBtuh	kW	75°F	80°F	85°F	kBtuh	kW	75°F	80°F	85°F	kBtuh	kW	75°F	80°F	85°F	kBtuh	kW	75°F	80°F	85°F	
63°F	6400	230.2	14.98	0.73	0.86	0.98	218.6	16.92	0.74	0.88	0.99	204.6	19.07	0.75	0.9	1	190	21.52	0.76	0.93	1
	8000	243.3	15.08	0.78	0.93	1	229.3	17.03	0.79	0.95	1	215.5	19.18	0.81	0.97	1	201.4	21.63	0.83	0.99	1
	9600	253	15.16	0.82	0.97	1	239.2	17.13	0.84	0.99	1	226	19.28	0.86	1	1	212.8	21.74	0.89	1	1
67°F	6400	244.7	15.09	0.57	0.71	0.83	231	17.05	0.57	0.72	0.85	217.4	19.2	0.57	0.73	0.87	203.5	21.64	0.57	0.74	0.9
	8000	256.1	15.18	0.6	0.76	0.9	241.7	17.15	0.61	0.77	0.92	228.5	19.31	0.61	0.79	0.94	212	21.72	0.62	0.81	0.97
	9600	265.9	15.26	0.63	0.81	0.95	251.1	17.24	0.64	0.82	0.97	235.5	19.4	0.65	0.85	0.99	219.4	21.79	0.66	0.87	1
71°F	6400	259.1	15.2	0.42	0.56	0.69	246.8	17.21	0.41	0.56	0.69	233.2	19.36	0.41	0.56	0.7	216.6	21.77	0.39	0.57	0.72
	8000	272.1	15.31	0.43	0.59	0.74	256.7	17.29	0.43	0.6	0.75	241.9	19.46	0.42	0.6	0.77	225.9	21.87	0.42	0.62	0.79
	9600	280.9	15.38	0.44	0.63	0.79	264.7	17.38	0.44	0.64	0.81	249.4	19.54	0.44	0.64	0.83	233	21.95	0.44	0.66	0.86

### 20 TON - HEATING LHX240S5M

Indoor Coil Air Volume 70°F Dry Bulb cfm	Air Temperature Entering Outdoor Coil									
	65°F		45°F		25°F		5°F		-15°F	
	Total Heating Capacity	Comp. Motor Input	Total Heating Capacity	Comp. Motor Input	Total Heating Capacity	Comp. Motor Input	Total Heating Capacity	Comp. Motor Input	Total Heating Capacity	Comp. Motor Input
	kBtuh	kW	kBtuh	kW	kBtuh	kW	kBtuh	kW	kBtuh	kW
6400	285.1	17.05	223.9	15.18	163.3	13.58	118.9	12.22	78.9	10.36
8000	289.2	15.83	226.5	14.33	166.7	13.09	120.4	11.86	81.0	10.17
9600	297.5	15.11	234.0	13.85	173.3	12.81	126.7	11.69	87.0	10.09

## BLOWER DATA

### BLOWER TABLE INCLUDES RESISTANCE FOR BASE UNIT ONLY WITH DRY INDOOR COIL & AIR FILTERS IN PLACE

FOR ALL UNITS ADD:

- 1 - Wet indoor coil air resistance of selected unit.
- 2 - Any factory installed options air resistance (electric heat, economizer, etc.)
- 3 - Any field installed accessories air resistance (electric heat, duct resistance, diffuser, etc.)

Then determine from blower table blower motor output and drive required.

See page 24 for wet coil and option/accessory air resistance data.

See page 24 for factory installed drive kit specifications.

See page 25 for minimum air volume required for use with optional electric heat.

Air Volume cfm	TOTAL STATIC PRESSURE - Inches Water Gauge (Pa)																									
	0.20		0.40		0.60		0.80		1.00		1.20		1.40		1.60		1.80		2.00		2.20		2.40		2.60	
	RPM	BHP	RPM	BHP	RPM	BHP	RPM	BHP	RPM	BHP	RPM	BHP	RPM	BHP	RPM	BHP	RPM	BHP	RPM	BHP	RPM	BHP	RPM	BHP	RPM	BHP
3250	405	0.40	520	0.60	615	0.85	695	1.10	765	1.30	830	1.60	890	1.85	950	2.10	1005	2.35	1060	2.60	1115	2.85	1170	3.10	1225	3.35
3500	415	0.45	530	0.70	620	0.95	700	1.20	775	1.45	840	1.70	900	2.00	955	2.25	1005	2.50	1060	2.75	1115	3.00	1170	3.25	1225	3.50
3750	425	0.50	540	0.75	630	1.05	710	1.30	780	1.60	845	1.85	905	2.15	960	2.40	1010	2.65	1065	2.90	1120	3.15	1175	3.40	1230	3.65
4000	435	0.55	545	0.85	635	1.10	715	1.40	785	1.70	850	2.00	910	2.30	965	2.55	1015	2.80	1070	3.05	1125	3.30	1180	3.55	1235	3.80
4250	445	0.60	555	0.90	645	1.25	725	1.55	795	1.85	855	2.15	915	2.45	970	2.70	1020	2.95	1075	3.20	1130	3.45	1185	3.70	1240	3.95
4500	455	0.70	565	1.00	655	1.35	730	1.65	800	2.00	865	2.35	925	2.65	980	2.90	1030	3.15	1085	3.40	1140	3.65	1195	3.90	1250	4.15
4750	470	0.75	575	1.10	660	1.45	740	1.80	810	2.15	870	2.50	930	2.85	985	3.10	1040	3.35	1095	3.60	1150	3.85	1205	4.10	1260	4.35
5000	480	0.85	585	1.25	670	1.60	750	1.95	815	2.30	880	2.70	940	3.05	995	3.30	1050	3.55	1105	3.80	1160	4.05	1215	4.30	1270	4.55
5250	495	0.95	595	1.35	680	1.70	755	2.10	825	2.50	890	2.90	945	3.25	1000	3.50	1055	3.75	1110	4.00	1165	4.25	1220	4.50	1275	4.75
5500	505	1.05	605	1.45	690	1.85	765	2.25	835	2.65	895	3.05	955	3.45	1010	3.80	1065	4.05	1120	4.30	1175	4.55	1230	4.80	1285	5.00
5750	520	1.15	615	1.60	700	2.00	775	2.45	840	2.85	905	3.25	965	3.65	1015	4.00	1070	4.25	1125	4.50	1180	4.75	1235	5.00	1290	5.20
6000	530	1.30	630	1.75	710	2.15	785	2.60	850	3.05	910	3.45	970	3.90	1020	4.15	1075	4.40	1130	4.65	1185	4.90	1240	5.15	1300	5.40
6250	545	1.40	640	1.90	720	2.35	795	2.80	860	3.25	920	3.70	975	4.15	1030	4.40	1085	4.65	1140	4.90	1195	5.15	1250	5.40	1310	5.65
6500	560	1.55	650	2.05	730	2.50	805	3.00	870	3.45	930	3.95	985	4.40	1040	4.80	1095	5.05	1150	5.30	1205	5.55	1260	5.80	1320	6.05
6750	570	1.70	665	2.20	745	2.70	815	3.20	880	3.70	940	4.20	995	4.65	1045	5.00	1100	5.25	1155	5.50	1210	5.75	1265	6.00	1325	6.25
7000	585	1.85	675	2.35	755	2.90	825	3.40	890	3.95	950	4.45	1005	4.90	1055	5.20	1110	5.45	1165	5.70	1220	5.95	1275	6.20	1335	6.45
7250	600	2.00	690	2.60	765	3.10	835	3.65	900	4.15	965	4.65	1015	5.10	1065	5.35	1120	5.60	1175	5.85	1230	6.10	1285	6.35	1345	6.60
7500	615	2.20	700	2.75	775	3.30	845	3.85	910	4.45	975	4.95	1020	5.30	1075	5.55	1130	5.80	1185	6.05	1240	6.30	1295	6.55	1355	6.80
7750	630	2.40	715	3.00	790	3.55	855	4.10	920	4.70	975	5.25	1030	5.50	1080	5.75	1135	6.00	1190	6.25	1245	6.50	1300	6.75	1360	7.00
8000	640	2.55	725	3.20	800	3.80	865	4.35	930	4.95	985	5.50	1040	5.75	1090	6.00	1145	6.25	1200	6.50	1255	6.75	1310	7.00	1370	7.25
8250	655	2.80	740	3.40	810	4.00	880	4.65	940	5.25	995	5.85	1050	6.05	1100	6.30	1155	6.55	1210	6.80	1265	7.05	1320	7.30	1380	7.55
8500	670	3.00	750	3.65	825	4.30	890	4.90	950	5.55	1005	6.15	1060	6.35	1110	6.60	1165	6.85	1220	7.10	1275	7.35	1330	7.60	1390	7.80
8750	685	3.25	765	3.90	835	4.55	900	5.20	960	5.85	1015	6.45	1070	6.65	1120	6.90	1175	7.10	1230	7.35	1285	7.60	1340	7.85	1400	8.05
9000	700	3.50	780	4.20	850	4.85	910	5.50	970	6.15	1025	6.80	1080	7.00	1130	7.25	1185	7.50	1240	7.75	1295	8.00	1350	8.25	1410	8.50
9250	715	3.75	790	4.45	860	5.15	925	5.85	985	6.55	1040	7.20	1090	7.45	1140	7.70	1195	8.00	1250	8.25	1305	8.50	1360	8.75	1420	9.00
9500	730	4.00	805	4.75	875	5.45	935	6.15	995	6.90	1050	7.60	1100	7.85	1150	8.10	1205	8.35	1260	8.60	1315	8.85	1370	9.10	1430	9.35
9750	745	4.30	820	5.05	885	5.75	950	6.55	1005	7.20	1060	7.95	1110	8.20	1160	8.45	1215	8.70	1270	8.95	1325	9.20	1380	9.45	1440	9.70
10,000	760	4.60	835	5.40	900	6.15	960	6.85	1015	7.60	1070	8.35	1120	8.60	1170	8.85	1225	9.10	1280	9.35	1335	9.60	1390	9.85	1450	10.10
10,250	775	4.90	845	5.65	910	6.45	970	7.20	1030	8.00	1080	8.75	1135	9.00	1180	9.25	1235	9.50	1290	9.75	1340	10.00	1400	10.25	1460	10.50
10,500	790	5.20	860	6.00	925	6.85	985	7.65	1040	8.40	1095	9.20	1145	9.45	1190	9.70	1240	10.00	1295	10.25	1350	10.50	1410	10.75	1470	10.75
10,750	805	5.55	875	6.40	940	7.25	1000	8.05	1055	8.85	1105	9.65	1155	9.90	1200	10.15	1255	10.40	1310	10.65	1360	10.90	1420	11.00	1480	11.00
11,000	820	5.90	890	6.80	950	7.60	1010	8.45	1065	9.30	1115	10.05	1165	10.30	1210	10.55	1265	10.80	1320	11.05	1370	11.30	1430	11.50	1490	11.50

## BLOWER DATA

### FACTORY INSTALLED BELT DRIVE KIT SPECIFICATIONS

Nominal HP	Maximum HP	Drive Kit Number	RPM Range
3	3.45	1	535 - 725
3	3.45	2	710 - 965
5	5.75	3	685 - 856
5	5.75	4	850 - 1045
5	5.75	5	945 - 1185
7.5	8.63	6	850 - 1045
7.5	8.63	7	945 - 1185
7.5	8.63	8	1045 - 1285
10	11.50	7	945 - 1185
10	11.50	10	1045 - 1285
10	11.50	11	1135 - 1330

NOTE - Using total air volume and system static pressure requirements determine from blower performance tables rpm and motor output required. Maximum usable output of motors furnished are shown. In Canada, nominal motor output is also maximum usable motor output. If motors of comparable output are used, be sure to keep within the service factor limitations outlined on the motor nameplate.

NOTE – Motor service factor limit - 1.0.

### FACTORY INSTALLED OPTIONS/FIELD INSTALLED ACCESSORY AIR RESISTANCE - in. w.g.

Air Volume cfm	Wet Indoor Coil	Electric Heat	Economizer	Filters			Horizontal Roof Curb
				MERV 8	MERV 13	MERV 16	
3250	0.03	---	---	0.01	0.04	0.07	0.04
3500	0.03	---	---	0.01	0.04	0.08	0.05
3750	0.03	---	---	0.01	0.04	0.08	0.05
4000	0.04	---	---	0.01	0.04	0.09	0.06
4250	0.04	---	---	0.01	0.05	0.10	0.07
4500	0.05	---	---	0.01	0.05	0.10	0.07
4750	0.05	---	---	0.02	0.05	0.11	0.08
5000	0.05	---	---	0.02	0.06	0.12	0.08
5250	0.06	---	---	0.02	0.06	0.12	0.09
5500	0.07	---	---	0.02	0.06	0.13	0.10
5750	0.07	---	---	0.02	0.07	0.14	0.11
6000	0.08	0.01	---	0.03	0.07	0.14	0.11
6250	0.08	0.01	0.01	0.03	0.07	0.15	0.12
6500	0.09	0.01	0.02	0.03	0.08	0.16	0.13
6750	0.10	0.01	0.03	0.03	0.08	0.17	0.14
7000	0.10	0.01	0.04	0.04	0.08	0.17	0.15
7250	0.11	0.01	0.05	0.04	0.09	0.18	0.16
7500	0.12	0.01	0.06	0.04	0.09	0.19	0.17
8000	0.13	0.02	0.09	0.05	0.10	0.21	0.19
8500	0.15	0.02	0.11	0.05	0.10	0.22	0.21
9000	0.16	0.04	0.14	0.06	0.11	0.24	0.24
9500	0.18	0.05	0.16	0.07	0.12	0.25	0.26
10,000	0.20	0.06	0.19	0.07	0.12	0.27	0.29
10,500	0.22	0.09	0.22	0.08	0.13	0.29	0.31
11,000	0.24	0.11	0.25	0.09	0.14	0.30	0.34

## BLOWER DATA

### MINIMUM AIR VOLUME REQUIRED FOR USE WITH OPTIONAL ELECTRIC HEAT

Electric Heat kW	Minimum cfm
15	6000
30	6000
45	6000
60	6000
90	6000

### POWER EXHAUST FAN PERFORMANCE

Return Air System Static Pressure	Air Volume Exhausted
in. w.g.	cfm
0.00	8630
0.05	8210
0.10	7725
0.15	7110
0.20	6470
0.25	5790
0.30	5060
0.35	4300
0.40	3510
0.45	2690
0.50	1840

### CEILING DIFFUSER AIR RESISTANCE - in. w.g.

Air Volume cfm	Step-Down Diffuser						Flush Diffuser	
	RTD11-185S			RTD11-275			FD11-185S	FD11-275
	2 Ends Open	1 Side/2 Ends Open	All Ends & Sides Open	2 Ends Open	1 Side/2 Ends Open	All Ends & Sides Open		
5000	.51	.44	.39	---	---	---	.27	---
5200	.56	.48	.42	---	---	---	.30	---
5400	.61	.52	.45	---	---	---	.33	---
5600	.66	.56	.48	---	---	---	.36	---
5800	.71	.59	.51	---	---	---	.39	---
6000	.76	.63	.55	.36	.31	.27	.42	.29
6200	.80	.68	.59	---	---	---	.46	---
6400	.86	.72	.63	---	---	---	.50	---
6500	---	---	---	.42	.36	.31	---	.34
6600	.92	.77	.67	---	---	---	.54	---
6800	.99	.83	.72	---	---	---	.58	---
7000	1.03	.87	.76	.49	.41	.36	.62	.40
7200	1.09	.92	.80	---	---	---	.66	---
7400	1.15	.97	.84	---	---	---	.70	---
7500	---	---	---	.51	.46	.41	---	.45
7600	1.20	1.02	.88	---	---	---	.74	---
8000	---	---	---	.59	.49	.43	---	.50
8500	---	---	---	.69	.58	.50	---	.57
9000	---	---	---	.79	.67	.58	---	.66
9500	---	---	---	.89	.75	.65	---	.74
10,000	---	---	---	1.00	.84	.73	---	.81
10,500	---	---	---	1.10	.92	.80	---	.89
11,000	---	---	---	1.21	1.01	.88	---	.96

### CEILING DIFFUSER AIR THROW DATA

Size	Air Volume cfm	<sup>1</sup> Effective Throw Range - ft.		Size	Air Volume cfm	<sup>1</sup> Effective Throw Range - ft.	
		RTD11-185S Step-Down	FD11-185S Flush			RTD11-275 Step-Down	FD11-275 Flush
180	5600	39 - 49	28 - 37	240	7200	33 - 38	26 - 35
	5800	42 - 51	29 - 38		7400	35 - 40	28 - 37
	6000	44 - 54	40 - 50		7600	36 - 41	29 - 38
	6200	45 - 55	42 - 51		7800	38 - 43	40 - 50
	6400	46 - 55	43 - 52		8000	39 - 44	42 - 51
	6600	47 - 56	45 - 56		8200	41 - 46	43 - 52
					8400	43 - 49	44 - 54
					8600	44 - 50	46 - 57
					8800	47 - 55	48 - 59

<sup>1</sup> Throw is the horizontal or vertical distance an airstream travels on leaving the outlet or diffuser before the maximum velocity is reduced to 50 ft. per minute. Four sides open.

**ELECTRICAL/ELECTRIC HEAT DATA**

**15 TON**

Model		LHX180S5M								
<sup>1</sup> Voltage - 60Hz		208/230V - 3 Ph			460V - 3 Ph			575V - 3 Ph		
Compressor 1 (Non-Inverter)	Rated Load Amps	24.4			11.9			9.4		
	Locked Rotor Amps	210			103			78		
Compressor 2 (Non-Inverter)	Rated Load Amps	27.7			11.5			9		
	Locked Rotor Amps	178.5			103			78		
Outdoor Fan Motors (4)	Full Load Amps (4 Non-ECM)	2.4			1.3			1		
	Total	9.6			5.2			4		
Power Exhaust (2) 0.33 HP	Full Load Amps	2.4			1.3			1		
	Total	4.8			2.6			2		
Service Outlet 115V GFI (amps)		15			15			20		
Indoor Blower Motor	HP	3	5	7.5	3	5	7.5	3	5	7.5
	Full Load Amps	10.6	16.7	24.2	4.8	7.6	11	3.9	6.1	9
<sup>2</sup> Maximum Overcurrent Protection (MOCP)	Unit Only	100	110	110	45	50	50	35	40	40
	With (2) 0.33 HP Power Exhaust	110	110	125	50	50	50	40	40	45
<sup>3</sup> Minimum Circuit Ampacity (MCA)	Unit Only	80	86	93	37	40	43	29	31	34
	With (2) 0.33 HP Power Exhaust	85	91	98	39	42	46	31	33	36

**ELECTRIC HEAT DATA**

Electric Heat Voltage			208V	240V	208V	240V	208V	240V	480V	480V	480V	600V	600V	600V
<sup>2</sup> Maximum Overcurrent Protection (MOCP)	Unit+ Electric Heat	15 kW	125	125	125	150	150	150	60	70	70	50	50	60
		30 kW	175	175	175	200	175	200	90	90	90	70	70	70
		45 kW	200	225	225	225	225	250	110	110	125	90	90	90
		60 kW	225	250	225	250	225	250	110	125	125	90	90	100
<sup>3</sup> Minimum Circuit Ampacity (MCA)	Unit+ Electric Heat	15 kW	119	125	125	131	132	138	59	62	66	47	49	52
		30 kW	158	170	164	176	172	184	82	85	88	65	67	70
		45 kW	197	215	203	221	211	229	105	107	111	83	85	88
		60 kW	205	224	211	230	218	238	109	112	115	87	89	92
<sup>2</sup> Maximum Overcurrent Protection (MOCP)	Unit+ Electric Heat and (2) 0.33 HP Power Exhaust	15 kW	125	150	150	150	150	150	70	70	70	50	60	60
		30 kW	175	175	175	200	200	200	90	90	100	70	70	80
		45 kW	225	225	225	250	225	250	110	110	125	90	90	90
		60 kW	225	250	225	250	250	250	125	125	125	90	100	100
<sup>3</sup> Minimum Circuit Ampacity (MCA)	Unit+ Electric Heat and (2) 0.33 HP Power Exhaust	15 kW	124	130	130	136	137	143	62	65	68	49	51	54
		30 kW	163	175	169	181	176	188	85	87	91	67	69	72
		45 kW	202	220	208	226	215	233	107	110	113	85	87	90
		60 kW	210	229	216	235	223	242	112	114	118	89	91	94

NOTE - All units have a minimum Short Circuit Current Rating (SCCR) of 5000 amps.

<sup>1</sup> Extremes of operating range are plus and minus 10% of line voltage.

<sup>2</sup> HACR type breaker or fuse.

<sup>3</sup> Refer to National or Canadian Electrical Code manual to determine wire, fuse and disconnect size requirements.

<sup>4</sup> Disconnect must be field furnished.



**ELECTRICAL/ELECTRIC HEAT DATA**

**20 TON**

Model		LHX240S5M								
		208/230V - 3 Ph			460V - 3 Ph			575V - 3 Ph		
<sup>1</sup> Voltage - 60Hz										
Compressor 1 (Non-Inverter)	Rated Load Amps	28.5			13.5			10.7		
	Locked Rotor Amps	255			123			93.7		
Compressor 2 (Non-Inverter)	Rated Load Amps	28.5			13.5			10.7		
	Locked Rotor Amps	255			123			93.7		
Outdoor Fan Motors (4)	Full Load Amps (4 Non-ECM)	2.4			1.3			1		
	Total	9.6			5.2			4		
Power Exhaust (2) 0.33 HP	Full Load Amps	2.4			1.3			1		
	Total	4.8			2.6			2		
Service Outlet 115V GFI (amps)		15			15			20		
Indoor Blower Motor	HP	5	7.5	10	5	7.5	10	5	7.5	10
	Full Load Amps	16.7	24.2	30.8	7.6	11	14	6.1	9	11
<sup>2</sup> Maximum Overcurrent Protection (MOCP)	Unit Only	110	125	125	50	60	60	40	45	50
	With (2) 0.33 HP Power Exhaust	110	125	125	50	60	60	45	45	50
<sup>3</sup> Minimum Circuit Ampacity (MCA)	Unit Only	91	98	106	44	47	50	35	38	40
	With (2) 0.33 HP Power Exhaust	96	103	110	46	50	53	37	40	42

**ELECTRIC HEAT DATA**

Electric Heat Voltage			208V	240V	208V	240V	208V	240V	480V	480V	480V	600V	600V	600V
<sup>2</sup> Maximum Overcurrent Protection (MOCP)	Unit+ Electric Heat	15 kW	150	150	150	150	150	175	70	70	80	60	60	60
		30 kW	175	200	200	200	200	200	90	100	100	80	80	80
		45 kW	225	250	225	250	225	250	125	125	125	90	100	100
		60 kW	225	250	250	250	250	250	125	125	125	100	100	100
		90 kW	300	350	300	350	300	350	175	175	175	125	125	150
<sup>3</sup> Minimum Circuit Ampacity (MCA)	Unit+ Electric Heat	15 kW	130	136	138	144	145	151	66	70	73	53	56	58
		30 kW	169	181	177	189	184	196	89	92	95	71	74	76
		45 kW	208	226	216	234	223	241	111	115	118	89	92	94
		60 kW	216	235	224	243	231	250	116	119	122	92	95	97
		90 kW	279	307	286	315	293	322	152	155	158	121	124	126
<sup>2</sup> Maximum Overcurrent Protection (MOCP)	Unit+ Electric Heat and (2) 0.33 HP Power Exhaust	15 kW	150	150	150	150	150	175	70	80	80	60	60	60
		30 kW	175	200	200	200	200	225	100	100	100	80	80	80
		45 kW	225	250	225	250	250	250	125	125	125	100	100	100
		60 kW	225	250	250	250	250	300	125	125	125	100	100	100
		90 kW	300	350	300	350	300	350	175	175	175	125	150	150
<sup>3</sup> Minimum Circuit Ampacity (MCA)	Unit+ Electric Heat and (2) 0.33 HP Power Exhaust	15 kW	135	141	142	148	149	156	69	72	75	55	58	60
		30 kW	174	186	181	193	189	201	91	95	98	73	76	78
		45 kW	213	231	220	239	228	246	114	117	120	91	94	96
		60 kW	221	240	228	248	235	255	118	122	125	94	97	99
		90 kW	283	312	291	320	298	327	155	158	161	123	126	128

NOTE - All units have a minimum Short Circuit Current Rating (SCCR) of 5000 amps.

<sup>1</sup> Extremes of operating range are plus and minus 10% of line voltage.

<sup>2</sup> HACR type breaker or fuse.

<sup>3</sup> Refer to National or Canadian Electrical Code manual to determine wire, fuse and disconnect size requirements.

<sup>4</sup> Disconnect must be field furnished.

## ELECTRICAL ACCESSORIES - DISCONNECTS

### 15 TON | LHX180S5

Motor HP	3		5		7.5		3	5	7.5	3	5	7.5
	208V	240V	208V	240V	208V	240V	480V	480V	480V	600V	600V	600V
Unit Only	54W86	54W86	54W86	54W86	54W86	54W86	54W85	54W85	54W85	54W85	54W85	54W85
+ Power Exhaust	54W86	54W86	54W86	54W86	54W86	54W86	54W85	54W85	54W85	54W85	54W85	54W85
+ Electric Heat 15 kW	54W86	54W86	54W86	54W86	54W86	54W86	54W85	54W85	54W85	54W85	54W85	54W85
+ Electric Heat 30 kW	54W87	54W87	54W87	54W87	54W87	54W87	54W85	54W86	54W86	54W85	54W85	54W85
+ Electric Heat 45 kW	54W87	54W87	54W87	54W87	54W87	54W87	54W86	54W86	54W86	54W86	54W86	54W86
+ Electric Heat 60 kW	<sup>4</sup> N/A	54W87	<sup>4</sup> N/A	<sup>4</sup> N/A	<sup>4</sup> N/A	<sup>4</sup> N/A	54W86	54W86	54W86	54W86	54W86	54W86
+ Power Exhaust + Elec. Heat 15 kW	54W86	54W86	54W86	54W86	54W87	54W86	54W85	54W85	54W85	54W85	54W85	54W85
+ Power Exhaust + Elec. Heat 30 kW	54W87	54W87	54W87	54W87	54W87	54W87	54W86	54W86	54W86	54W85	54W85	54W85
+ Power Exhaust + Elec. Heat 45 kW	54W87	54W87	54W87	54W87	54W87	54W87	54W86	54W86	54W86	54W86	54W86	54W86
+ Power Exhaust + Elec. Heat 60 kW	<sup>4</sup> N/A	<sup>4</sup> N/A	<sup>4</sup> N/A	<sup>4</sup> N/A	<sup>4</sup> N/A	<sup>4</sup> N/A	54W86	54W86	54W86	54W86	54W86	54W86

### 20 TON | LHX240S5

Motor HP	5		7.5		10		5	7.5	10	5	7.5	10
	208V	240V	208V	240V	208V	240V	480V	480V	480V	600V	600V	600V
Unit Only	54W86	54W86	54W86	54W86	54W86	54W86	54W85	54W85	54W85	54W85	54W85	54W85
+ Power Exhaust	54W86	54W86	54W86	54W86	54W86	54W86	54W85	54W85	54W85	54W85	54W85	54W85
+ Electric Heat 15 kW	54W86	54W86	54W87	54W86	54W87	54W87	54W85	54W85	54W85	54W85	54W85	54W85
+ Electric Heat 30 kW	54W87	54W87	54W87	54W87	54W87	54W87	54W86	54W86	54W86	54W85	54W85	54W85
+ Electric Heat 45 kW	54W87	54W87	54W87	54W87	<sup>4</sup> N/A	54W87	54W86	54W86	54W86	54W86	54W86	54W86
+ Electric Heat 60 kW	<sup>4</sup> N/A	<sup>4</sup> N/A	<sup>4</sup> N/A	<sup>4</sup> N/A	<sup>4</sup> N/A	<sup>4</sup> N/A	54W86	54W86	54W86	54W86	54W86	54W86
+ Electric Heat 90 kW	<sup>4</sup> N/A	<sup>4</sup> N/A	<sup>4</sup> N/A	<sup>4</sup> N/A	<sup>4</sup> N/A	<sup>4</sup> N/A	54W87	54W87	54W87	54W86	54W86	54W86
+ Power Exhaust + Elec. Heat 15 kW	54W86	54W86	54W87	54W87	54W87	54W87	54W85	54W85	54W85	54W85	54W85	54W85
+ Power Exhaust + Elec. Heat 30 kW	54W87	54W87	54W87	54W87	54W87	54W87	54W86	54W86	54W86	54W85	54W85	54W85
+ Power Exhaust + Elec. Heat 45 kW	54W87	54W87	NA	54W87	NA	54W87	54W86	54W86	54W86	54W86	54W86	54W86
+ Power Exhaust + Elec. Heat 60 kW	<sup>4</sup> N/A	<sup>4</sup> N/A	<sup>4</sup> N/A	<sup>4</sup> N/A	<sup>4</sup> N/A	<sup>4</sup> N/A	54W86	54W86	54W86	54W86	54W86	54W86
+ Power Exhaust + Elec. Heat 90 kW	<sup>4</sup> N/A	<sup>4</sup> N/A	<sup>4</sup> N/A	<sup>4</sup> N/A	<sup>4</sup> N/A	<sup>4</sup> N/A	54W87	54W87	54W87	54W86	54W86	54W86

Disconnects - 54W85 - 80A  
 54W86 - 150A  
 54W87 - 250A

<sup>1</sup> Disconnect must be field furnished.

#### FIELD WIRING NOTES

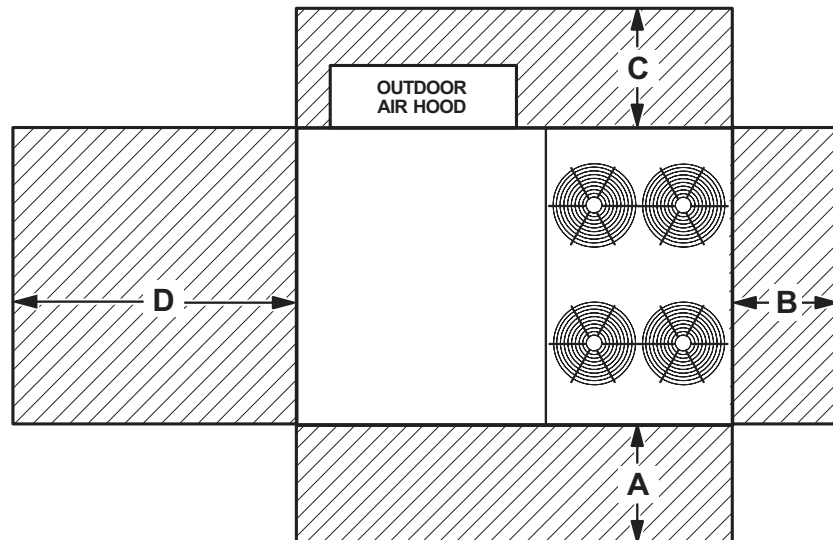
- For use with copper wiring only
- Field wiring not furnished
- All wiring must conform to NEC or CEC and local electrical codes
- For specific wiring information, please refer to the installation instructions

## ELECTRIC HEAT CAPACITIES

Volts Input	15 kW			30 kW			45 kW			60 kW			90 kW		
	kW Input	Btuh Output	No. of Stages	kW Input	Btuh Output	No. of Stages	kW Input	Btuh Output	No. of Stages	kW Input	Btuh Output	No. of Stages	kW Input	Btuh Output	No. of Stages
208	11.3	38,600	1	22.5	76,800	1	33.8	115,300	1	45.0	153,600	1	67.6	230,700	1
220	12.6	43,000	1	25.2	86,000	1	37.8	129,000	1	50.4	172,000	1	75.6	258,000	1
230	13.8	47,100	1	27.5	93,900	1	41.3	141,000	1	55.1	188,000	1	82.7	282,200	1
240	15.0	51,200	1	30.0	102,400	1	45.0	153,600	1	60.0	204,800	1	90.0	307,100	1
440	12.6	43,000	1	25.2	86,000	1	37.8	129,000	1	50.4	172,000	1	75.6	258,000	1
460	13.8	47,100	1	27.5	93,900	1	41.3	141,000	1	55.1	188,000	1	82.7	282,200	1
480	15.0	51,200	1	30.0	102,400	1	45.0	153,600	1	60.0	204,800	1	90.0	307,100	1
550	12.6	43,000	1	25.2	86,000	1	37.8	129,000	1	50.4	172,000	1	75.6	258,000	1
575	13.8	47,100	1	27.5	93,900	1	41.3	141,000	1	55.1	188,000	1	82.7	282,200	1
600	15.0	51,200	1	30.0	102,400	1	45.0	153,600	1	60.0	204,800	1	90.0	307,100	1

## UNIT CLEARANCES

### Unit With Economizer



<sup>1</sup> Unit Clearance	A		B		C		D		Top Clearance
	in.	mm	in.	mm	in.	mm	in.	mm	
<b>Service Clearance</b>	60	1524	36	914	36	914	66	1676	Unobstructed
<b>Minimum Operation Clearance</b>	45	1143	36	914	36	914	41	1041	

NOTE - Entire perimeter of unit base requires support when elevated above the mounting surface.

<sup>1</sup> Service Clearance - Required for removal of serviceable parts.

Minimum Operation Clearance - Required clearance for proper unit operation.

## OUTDOOR SOUND DATA

Unit Model Number	Octave Band Sound Power Levels dBA, re 10 <sup>-12</sup> Watts - Center Frequency - Hz							<sup>1</sup> Sound Rating Number (dBA)
	125	250	500	1000	2000	4000	8000	
LHX180S, 240S	80	83	87	88	84	80	71	93

NOTE - The octave sound power data does not include tonal corrections.

<sup>1</sup> Sound Rating Number according to AHRI Standard 370-2001 (includes pure tone penalty). Sound Rating Number is the overall A-Weighted Sound Power Level, (LWA), dB (100 Hz to 10,000 Hz).

## WEIGHT DATA

Size	Net		Shipping	
	lbs.	kg	lbs.	kg
180 Base Unit	2044	927	2244	1018
180 Max. Unit	2374	1077	2574	1168
240 Base Unit	2081	944	2281	1035
240 Max. Unit	2411	1094	2611	1184

Max. Unit - The unit with ALL INTERNAL OPTIONS Installed. (Economizer, Standard Static Power Exhaust Fans, Controls, etc.). Does not include accessories external to unit.

## FACTORY / FIELD INSTALLED OPTIONS AND ACCESSORIES - NET WEIGHTS

Description		lbs.	kg
<b>ECONOMIZER / OUTDOOR AIR / EXHAUST</b>			
<b>Economizer</b>			
Economizer Dampers		102	46
Barometric Relief Dampers (downflow)		30	14
Barometric Relief Dampers (horizontal)		20	9
Outdoor Air Damper Hood (downflow)		65	29
<b>Outdoor Air Dampers With Hood (Downflow)</b>			
Motorized		18	39
Manual		10	22
<b>Power Exhaust</b>		62	28
<b>ELECTRIC HEAT</b>			
15 kW		59	27
30 kW		59	27
45 kW		76	34
60 kW		76	34
90 kW		84	38
<b>COIL/HAIL GUARDS</b>			
All models		46	21
<b>ROOF CURBS</b>			
<b>Hybrid Roof Curbs, Downflow</b>			
8 in. height		136	62
14 in. height		169	77
18 in. height		191	87
24 in. height		224	102
<b>Adjustable Pitch Curb, Downflow</b>			
14 in. height		224	102
<b>Horizontal Roof Curbs, Standard</b>			
26 in. height		450	204
37 in. height		540	245
<b>CEILING DIFFUSERS</b>			
Step-Down	RTD11-185S	168	76
	RTD11-275S	238	108
Flush	FD11-185S	168	76
	FD11-275S	238	108
Transitions	C1DIFF33C-1	80	36
	C1DIFF34C-1	75	34

**DIMENSIONS**

**UNIT**

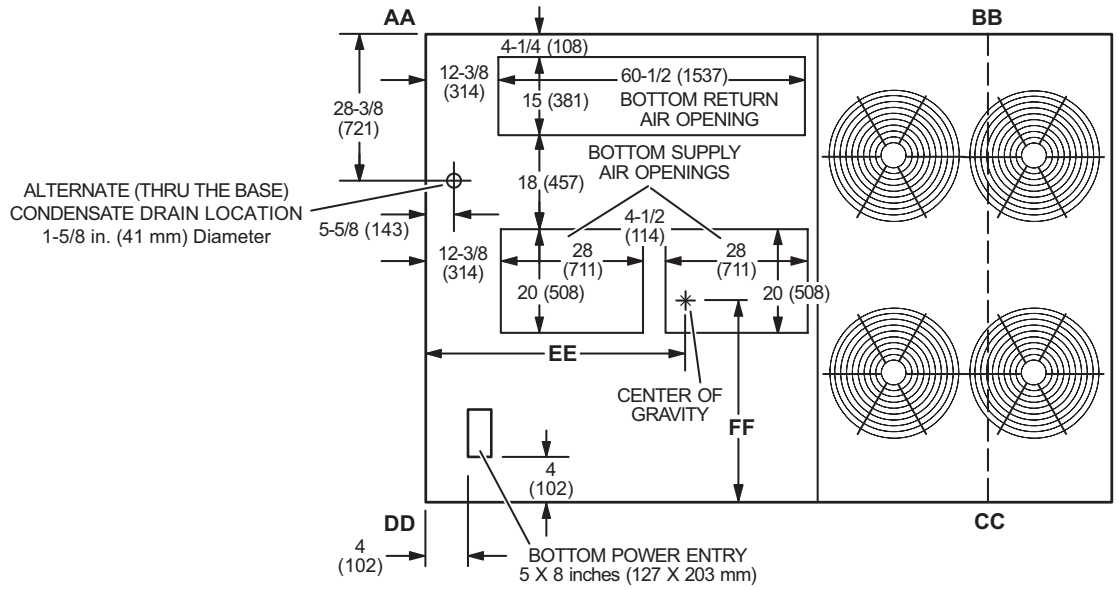
**CORNER WEIGHTS**

**CENTER OF GRAVITY**

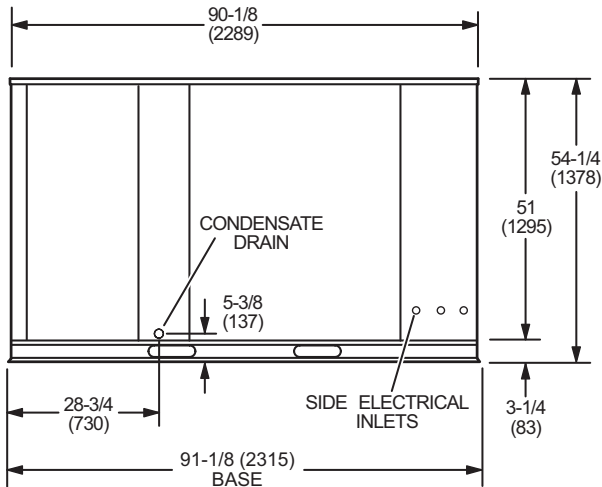
Size	AA		BB		CC		DD		EE		FF	
	lbs.	kg	lbs.	kg	lbs.	kg	lbs.	kg	in.	mm	in.	mm
180 Std. Unit	389	176	471	213	649	294	536	243	59	1499	38-3/8	975
180 Max. Unit	495	224	574	260	701	318	604	274	57-7/8	1470	41	1042
240 Std. Unit	391	177	472	214	666	302	552	250	59	1499	37-7/8	962
240 Max. Unit	497	225	575	261	718	326	621	281	57-3/4	1467	40-1/2	1029

Std. Unit - The unit with NO INTERNAL OPTIONS.

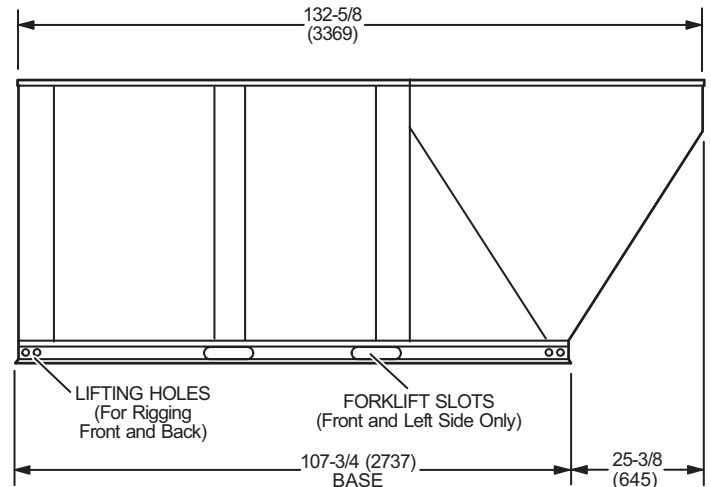
Max. Unit - The unit with ALL INTERNAL OPTIONS Installed. (Economizer, Standard Static Power Exhaust Fans, Controls, etc.). Does not include accessories external to unit.



**TOP VIEW**

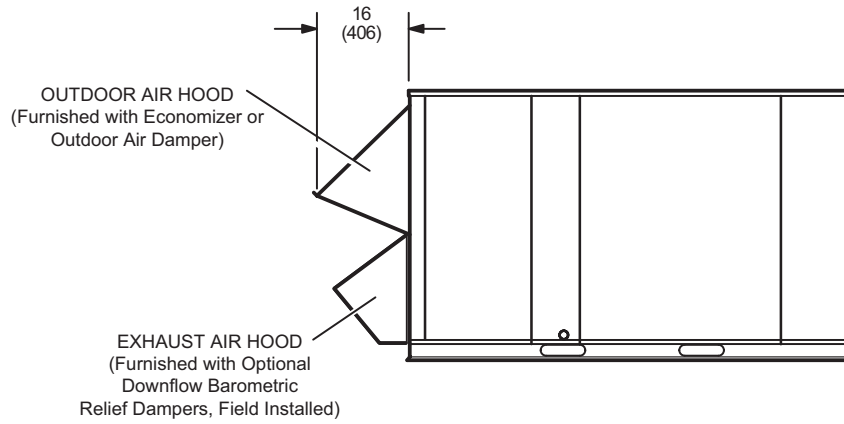


**END VIEW**



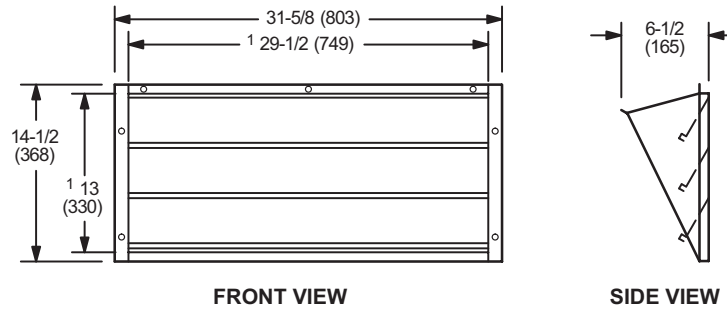
**SIDE VIEW**

**OUTDOOR AIR HOOD DETAIL**



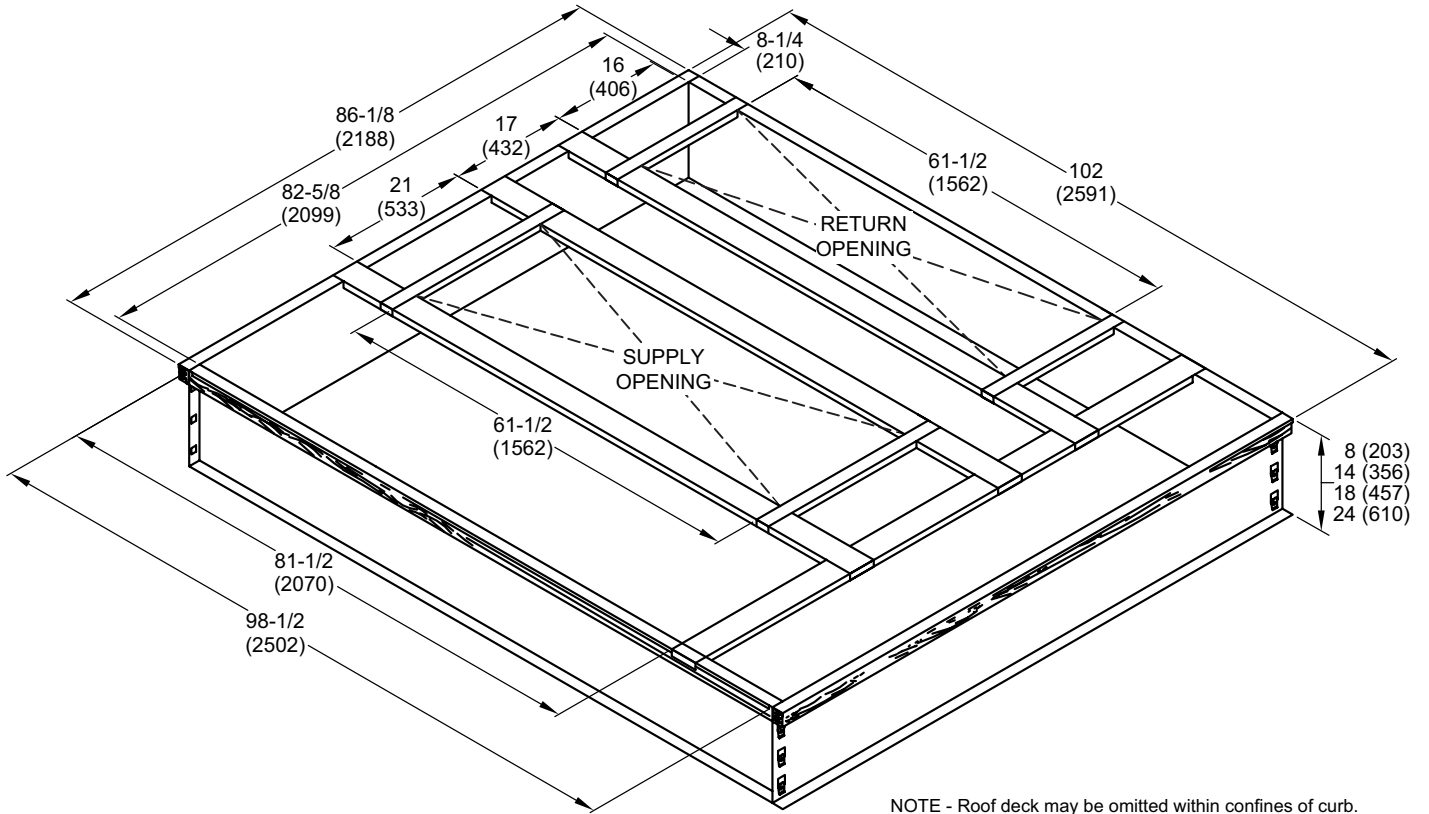
**OPTIONAL HORIZONTAL BAROMETRIC RELIEF DAMPERS WITH HOOD**

(Field installed in horizontal return air duct adjacent to unit)



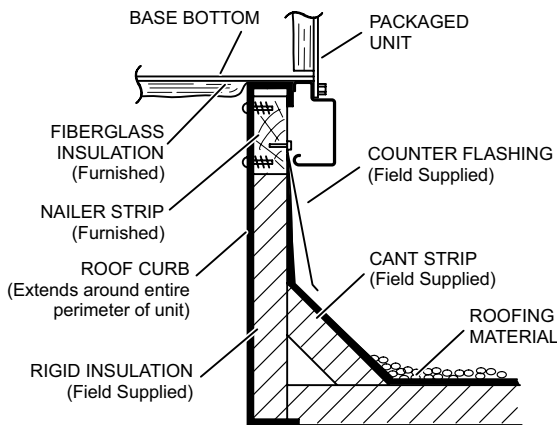
NOTE - Two furnished per order no.  
<sup>1</sup> NOTE - Opening size required in return air duct.

**HYBRID ROOF CURBS - DOUBLE DUCT OPENING**

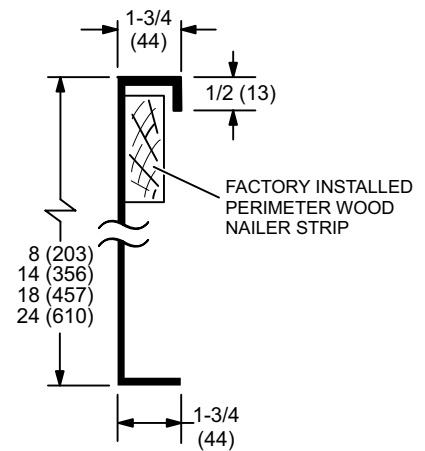


NOTE - Roof deck may be omitted within confines of curb.

**TYPICAL FLASHING DETAIL FOR ROOF CURB**



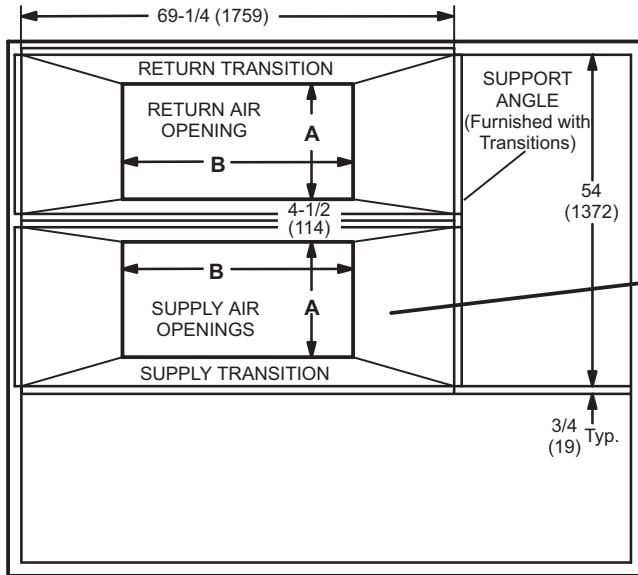
**DETAIL ROOF CURB**



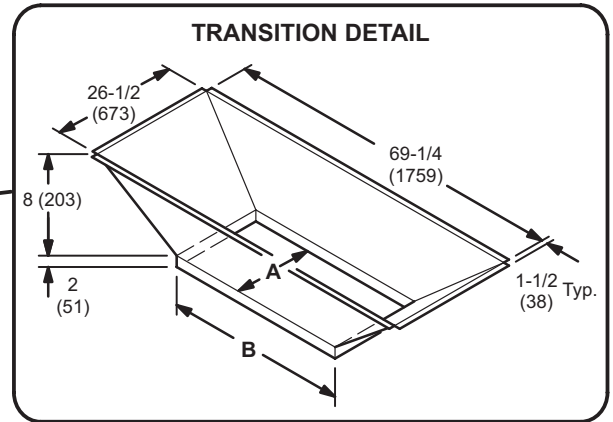




**ROOF CURBS WITH SUPPLY & RETURN AIR TRANSITIONS FOR CEILING DIFFUSERS**



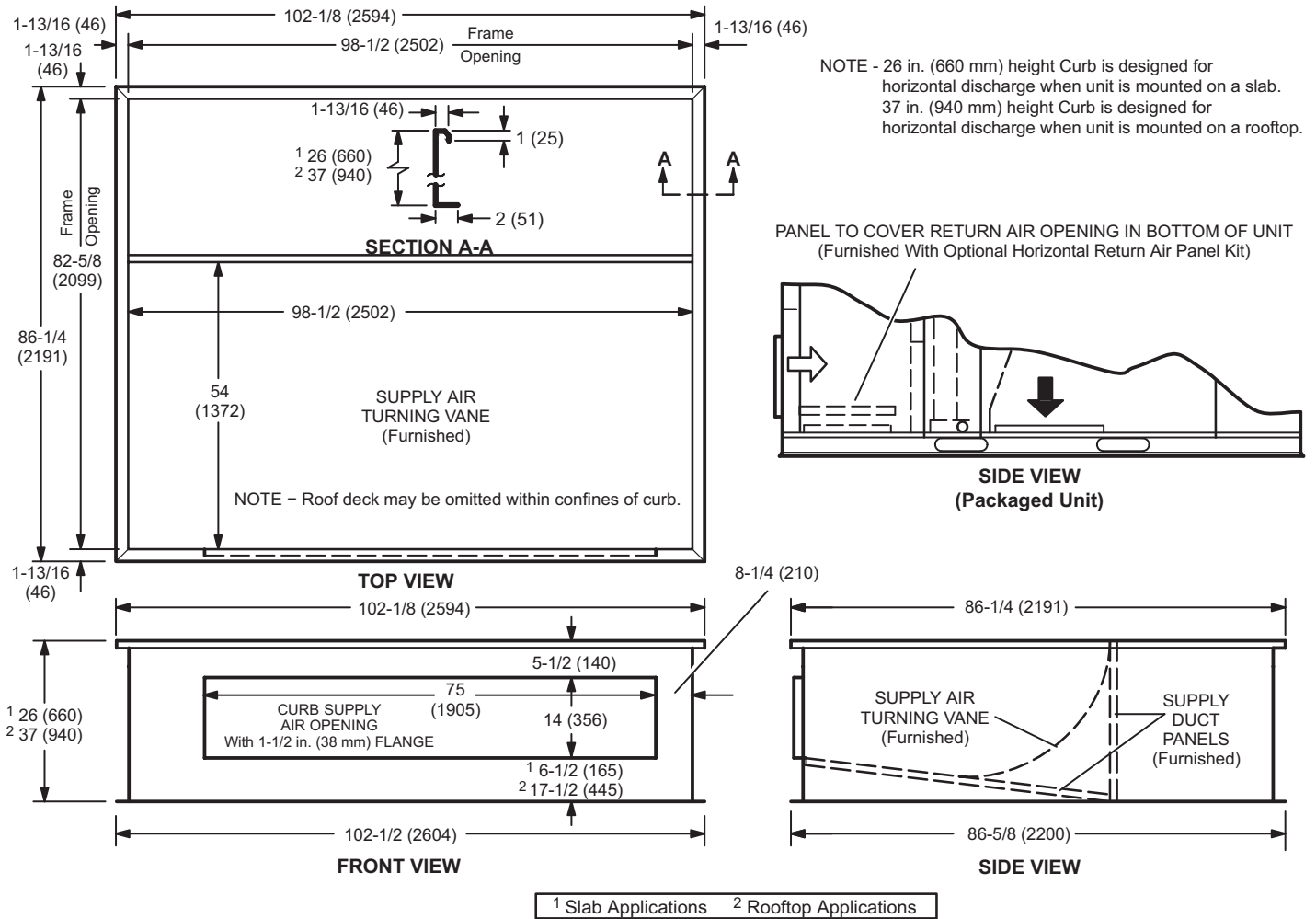
**TOP VIEW**



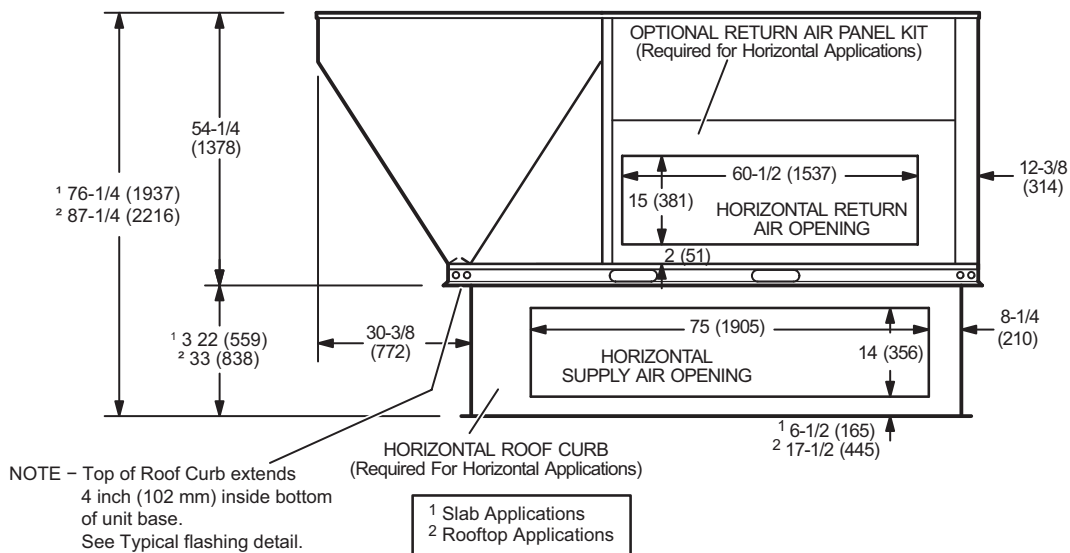
**TRANSITION OPENING SIZES**

Model Number	A		B	
	inch	mm	inch	mm
C1DIFF33C-1	18	457	36	914
C1DIFF34C-1	24	610	48	1219

**HORIZONTAL ROOF CURBS – Requires Optional Horizontal Return Air Panel Kit**

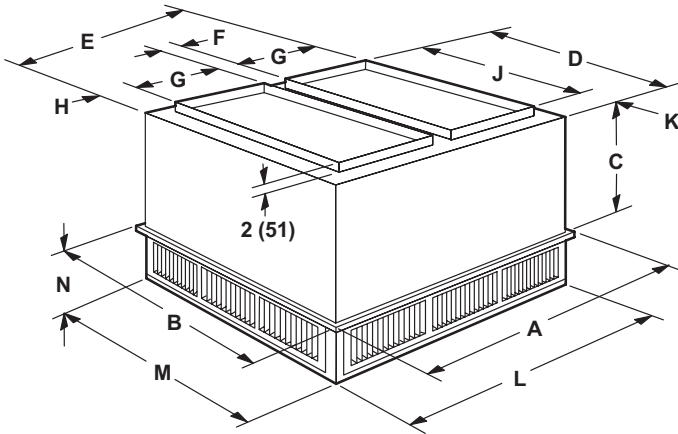


**HORIZONTAL SUPPLY AND RETURN AIR OPENINGS WITH HORIZONTAL ROOF CURB**

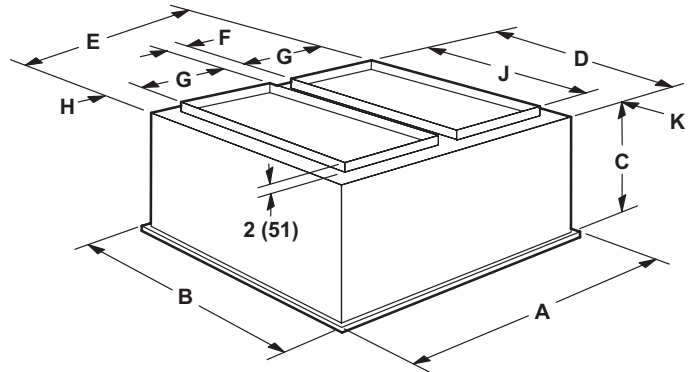


**COMBINATION CEILING SUPPLY AND RETURN DIFFUSERS**

**STEP-DOWN CEILING DIFFUSER**



**FLUSH CEILING DIFFUSER**



Model		RTD11-185S	RTD11-275
A	in.	47-5/8	59-5/8
	mm	1210	1514
B	in.	47-5/8	59-5/8
	mm	1210	1514
C	in.	24-5/8	30-5/8
	mm	625	778
D	in.	45-1/2	57-1/2
	mm	1156	1461
E	in.	45-1/2	57-1/2
	mm	1156	1461
F	in.	4-1/2	4-1/2
	mm	114	114
G	in.	18	24
	mm	457	610
H	in.	2-1/2	2-1/2
	mm	64	64
J	in.	36	48
	mm	914	1219
K	in.	4-3/4	4-3/4
	mm	121	121
L	in.	45-1/2	57-1/2
	mm	1156	1461
M	in.	45-1/2	57-1/2
	mm	1156	1461
N	in.	10-1/8	11-1/8
	mm	257	283
Duct Size	in.	18 x 36	24 x 48
	mm	457 x 914	610 x 1219

Model		FD11-185S	FD11-275
A	in.	47-5/8	59-5/8
	mm	1210	1514
B	in.	47-5/8	59-5/8
	mm	1210	1514
C	in.	29-1/4	35-1/4
	mm	743	895
D	in.	45	57
	mm	1143	1148
E	in.	45	57
	mm	1143	1448
F	in.	4-1/2	4-1/2
	mm	114	114
G	in.	18	24
	mm	457	610
H	in.	2-1/4	2-1/4
	mm	57	57
J	in.	36	48
	mm	914	1219
K	in.	4-1/2	4-1/2
	mm	114	114
Duct Size	in.	18 x 36	24 x 48
	mm	457 x 914	610 x 1219



Visit us at [www.Lennox.com](http://www.Lennox.com)

For the latest technical information, [www.LennoxCommercial.com](http://www.LennoxCommercial.com)

Contact us at 1-800-4-LENNOX

NOTE - Due to Lennox' ongoing commitment to quality, Specifications, Ratings and Dimensions subject to change without notice and without incurring liability. Improper installation, adjustment, alteration, service or maintenance can cause property damage or personal injury. Installation and service must be performed by a qualified installer and servicing agency.

©2024 Lennox Industries, Inc.