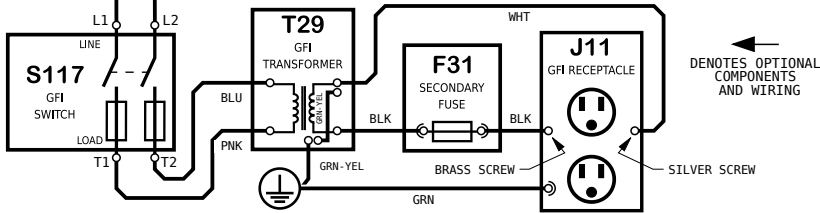
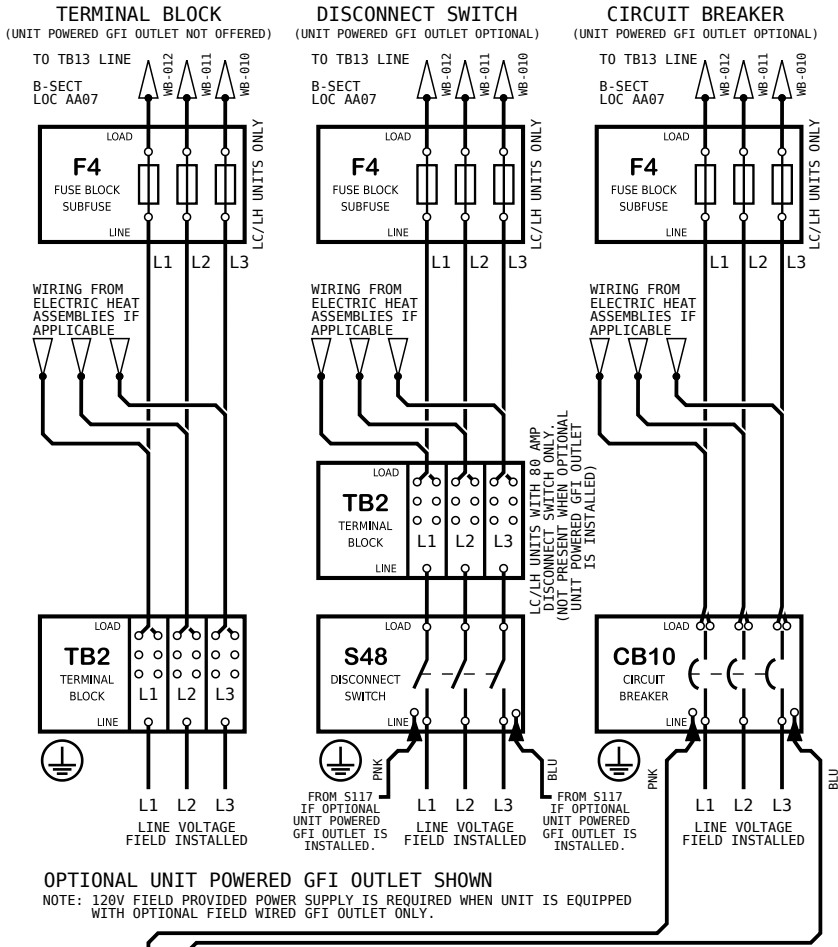
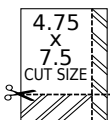


-----POWER ENTRY OPTIONS-----



Model: LC, LG, LH, LD Series RTU  
 Power Entry Options 156 - 360  
 Voltage: All Voltages  
 Supersedes: 538103-01 Form No: **538103-02** Rev: 2



REV	EC NO.	DATE	BY	APVD	REVISION NOTE
---	CN-010356M	11-16-2022	MXR6	JAL21	ORIGINATED AT PD&R CARROLLTON, TX
001	CN-012295C	04-03-2024	MXR6	MXT5	ADDED, REVISED GND SYMBOLS.
002	CN-012295S	08-20-2024	MXR6	MXT5	REVISED TITLE BLOCK TO INCLUDE D-BOX.